



US00D580262S

(12) **United States Design Patent**
Eason et al.

(10) **Patent No.:** **US D580,262 S**
(45) **Date of Patent:** **** Nov. 11, 2008**

(54) **PERCUSSION INSTRUMENT SUPPORT ARM CLAMP**

D356,759 S * 3/1995 Pawsat D12/118
5,645,253 A 7/1997 Hoshino
D383,967 S * 9/1997 DeMars D8/354

(75) Inventors: **Donald H. Eason**, Fort Collins, CO (US); **Kazuhito Nakajima**, Hamamatsu (JP)

(Continued)

(73) Assignees: **Yamaha Corporation**, Hamamatsu, Shizuoka (JP); **Swift Distribution, Inc.**, Torrence, CA (US)

FOREIGN PATENT DOCUMENTS

DE 2 307 826 8/1974

(Continued)

(**) Term: **14 Years**

OTHER PUBLICATIONS

<http://www.guitarcenter.com>; Yamaha CL-945 YESS Tom Ball Clamp.

(21) Appl. No.: **29/286,258**

(Continued)

(22) Filed: **Apr. 27, 2007**

Primary Examiner—Robert M. Spear
Assistant Examiner—John Windmuller

(51) **LOC (8) Cl.** **08-08**

(74) *Attorney, Agent, or Firm*—Santangelo Law Offices, P.C.

(52) **U.S. Cl.** **D8/396; D17/22**

(58) **Field of Classification Search** D8/354–356, D8/371, 376, 394–396, 382, 377, 380, 381; 24/16 R, 279, 278, 486, 489, 505, 275, 499, 24/518; 248/49, 62, 74.1–74.4, 73, 58, 72; D17/22; D12/118; 84/421, 327, 411 R
See application file for complete search history.

(57) **CLAIM**

The ornamental design for a percussion instrument support arm clamp, as shown and described.

(56) **References Cited**

DESCRIPTION

U.S. PATENT DOCUMENTS

The design is embodied in a clamp usable to attach the arm of a percussion instrument support to a drum rack member (a drum rack tier).

259,957 A	6/1882	White	
438,238 A	10/1890	Jefferies et al.	
566,361 A	8/1896	White	
3,191,484 A	6/1965	Walling	
3,405,587 A	10/1968	Meazzi et al.	
3,535,976 A	10/1970	Osuga	
3,576,149 A	4/1971	Slingerland, Jr.	
3,704,645 A	12/1972	Grauso et al.	
3,989,321 A	11/1976	McCloskey	
4,141,272 A	2/1979	Yanagisawa	
4,158,981 A	6/1979	Kurosaki	
4,453,446 A	6/1984	Hoshino	
D298,813 S *	12/1988	Borromeo D12/118
4,796,508 A	1/1989	Hoshino	
5,393,161 A	2/1995	Mata et al.	

FIG. 1 is a perspective view of a percussion instrument support arm clamp showing our new design;

FIG. 2 is a front view thereof;

FIG. 3 is a rear view thereof;

FIG. 4 is a right side view thereof;

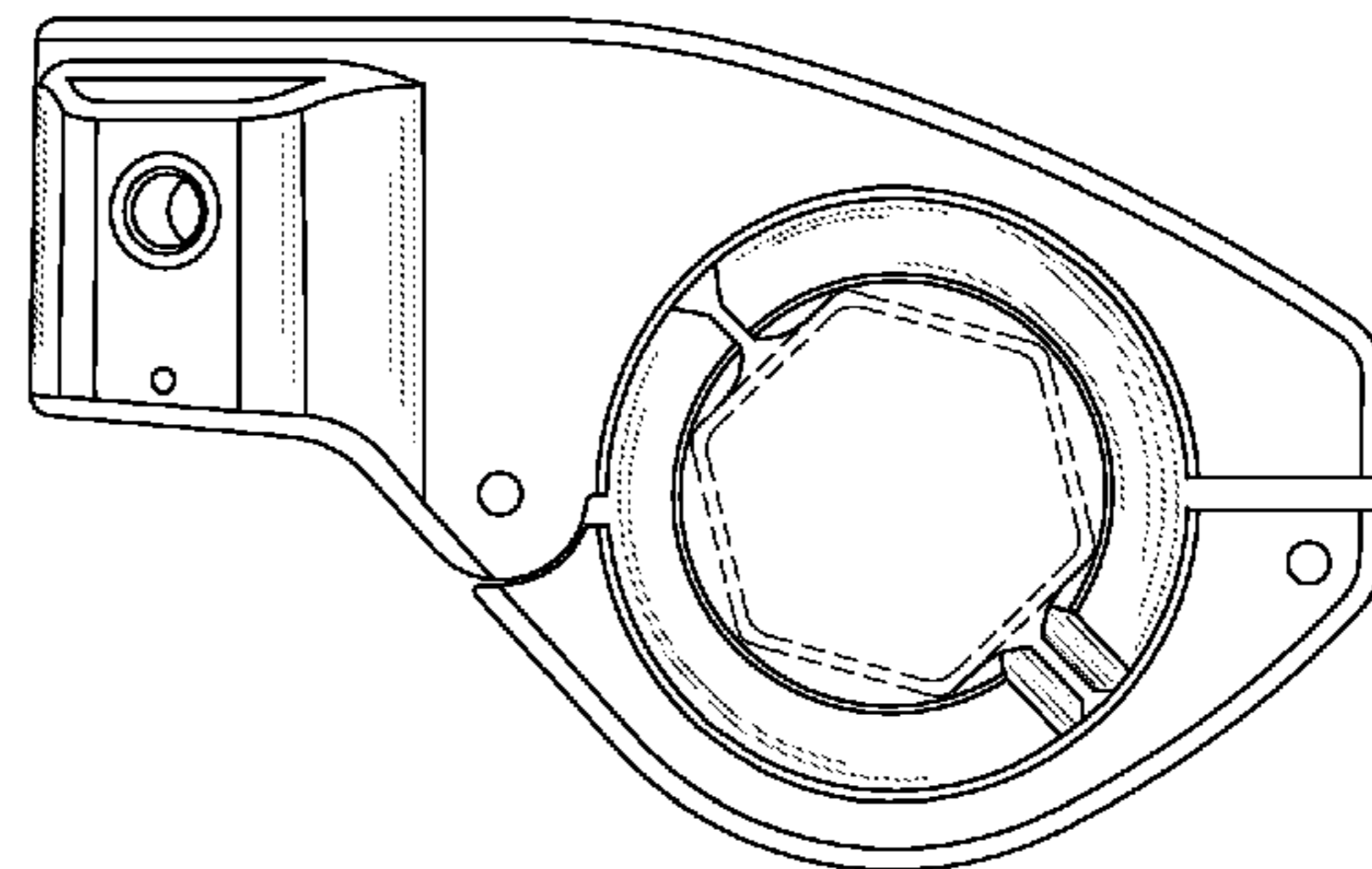
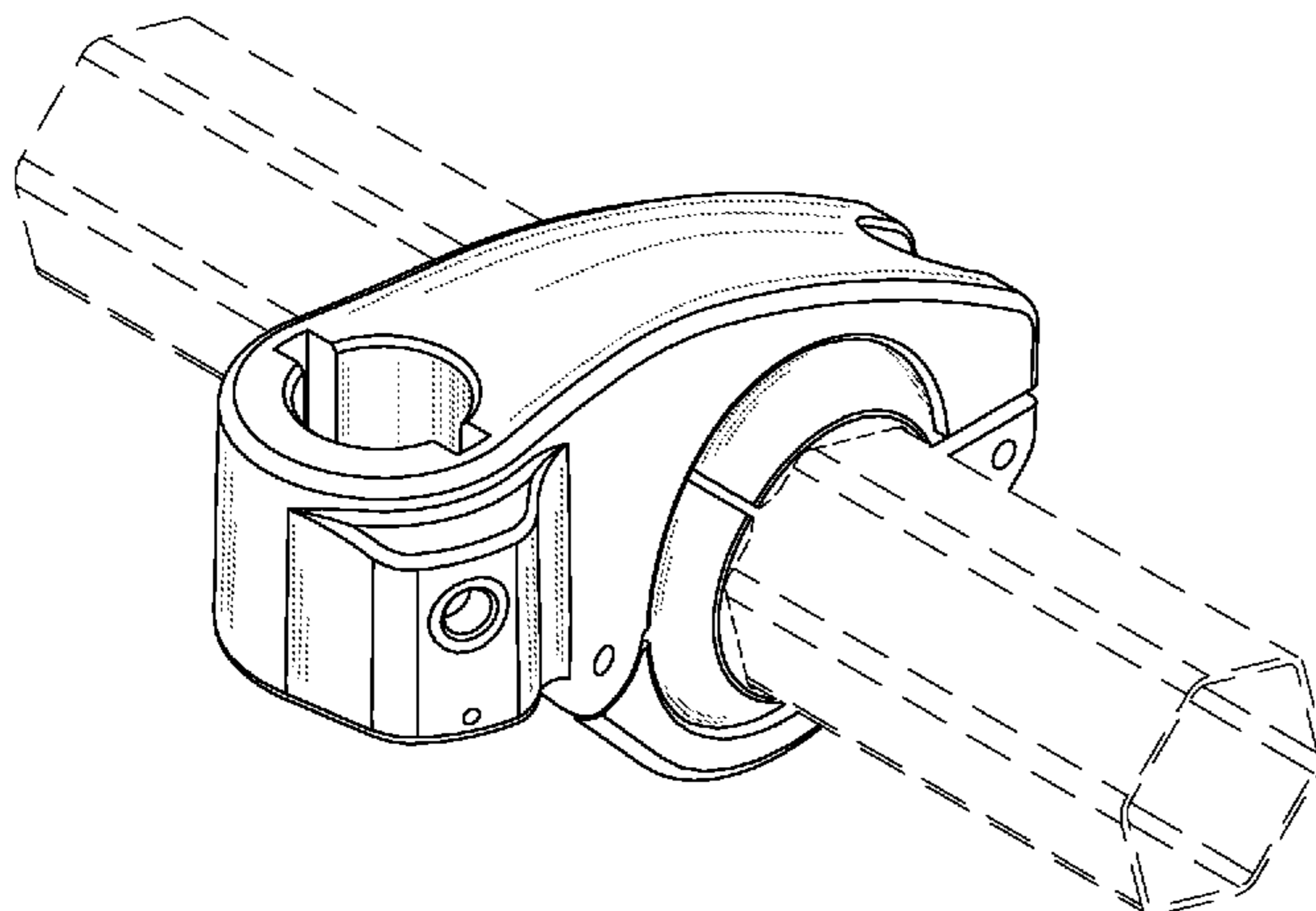
FIG. 5 is a left side view thereof;

FIG. 6 is a top view thereof; and,

FIG. 7 is a bottom view thereof.

The broken line showing of a hexagonal tube illustrates environment only and forms no part of the claimed design.

1 Claim, 4 Drawing Sheets



U.S. PATENT DOCUMENTS

5,803,642	A	9/1998	Sassmannshausen	
5,804,747	A	9/1998	Chen	
5,895,874	A	4/1999	Liao	
5,949,009	A	9/1999	Chen	
5,973,248	A	10/1999	Chen	
6,054,645	A	4/2000	Gauger	
6,070,835	A	6/2000	Stillinger	
6,075,190	A	6/2000	Mosser et al.	
6,093,878	A	7/2000	Hoshino	
D438,783	S *	3/2001	Elliott D8/396
6,264,396	B1	7/2001	Dobrovolny	
6,346,665	B1	2/2002	Liao	
6,513,774	B2	2/2003	Hailson	
6,520,465	B1	2/2003	Sack et al.	
6,653,540	B2	11/2003	Izen et al.	
6,988,696	B2 *	1/2006	Attee 248/214
7,055,910	B2	6/2006	Wright	
7,191,988	B2 *	3/2007	Kim et al. 248/68.1
2002/0194979	A1 *	12/2002	Hsieh 84/421

FOREIGN PATENT DOCUMENTS

DE	GM 78 06 168	6/1978
DE	3134910 A1	3/1983
GB	1154508	6/1969

OTHER PUBLICATIONS

Konig & Meyer Spider Keyboard Stand, audioMIDI.com Dec. 28, 2004.
 Ultimate Support Systems, Inc. 1994 Product Catalog.

Ultimate Support Systems, Inc. 1996 Product Catalog.
 Ultimate Support Systems, Inc. 1999 Product Catalog.
 Ultimate Support Systems, Inc. 2000 Product Catalog.
 Ultimate Support Systems, Inc. 2001 Product Catalog.
 Ultimate Support Systems, Inc. 2002 Product Catalog.
 Ultimate Support Systems, Inc. 2003 Product Catalog.
 Ultimate Support Systems, Inc. 2004 Product Catalog (Bicycle Stand Edition).
 Ultimate Support Systems, Inc. 2004 Product Catalog.
 Ultimate Support Systems, Inc. 2005 Product Catalog (Bicycle Stand Edition).
 Ultimate Support Systems, Inc. 2005 Product Catalog (Music Stand Edition).
 Ultimate Support Systems, Inc. 1992 Bicycle Repair Station Product Brochure (2 pages).
 Ultimate Support Systems, Inc. 1993 Bicycle Support Product Catalog and Price List.
 Ultimate Support Systems, Inc. 1993 Product Catalog (Music Stand Edition).
 Ultimate Support Systems, Inc. 1995 Bicycle Support Domestic Confidential Dealer Price List.
 Ultimate Support Systems, Inc. 1998 Product Catalog (Music Stand Edition).
 Ultimate Support Systems, Inc. 2000 Bicycle Support Product Catalog.
 Ultimate Support Systems, Inc. 2001/2002 Bicycle Support Product Catalog.
 Ultimate Support Systems, Inc. 2004 Product Catalog (Bicycle Stand Edition).

* cited by examiner

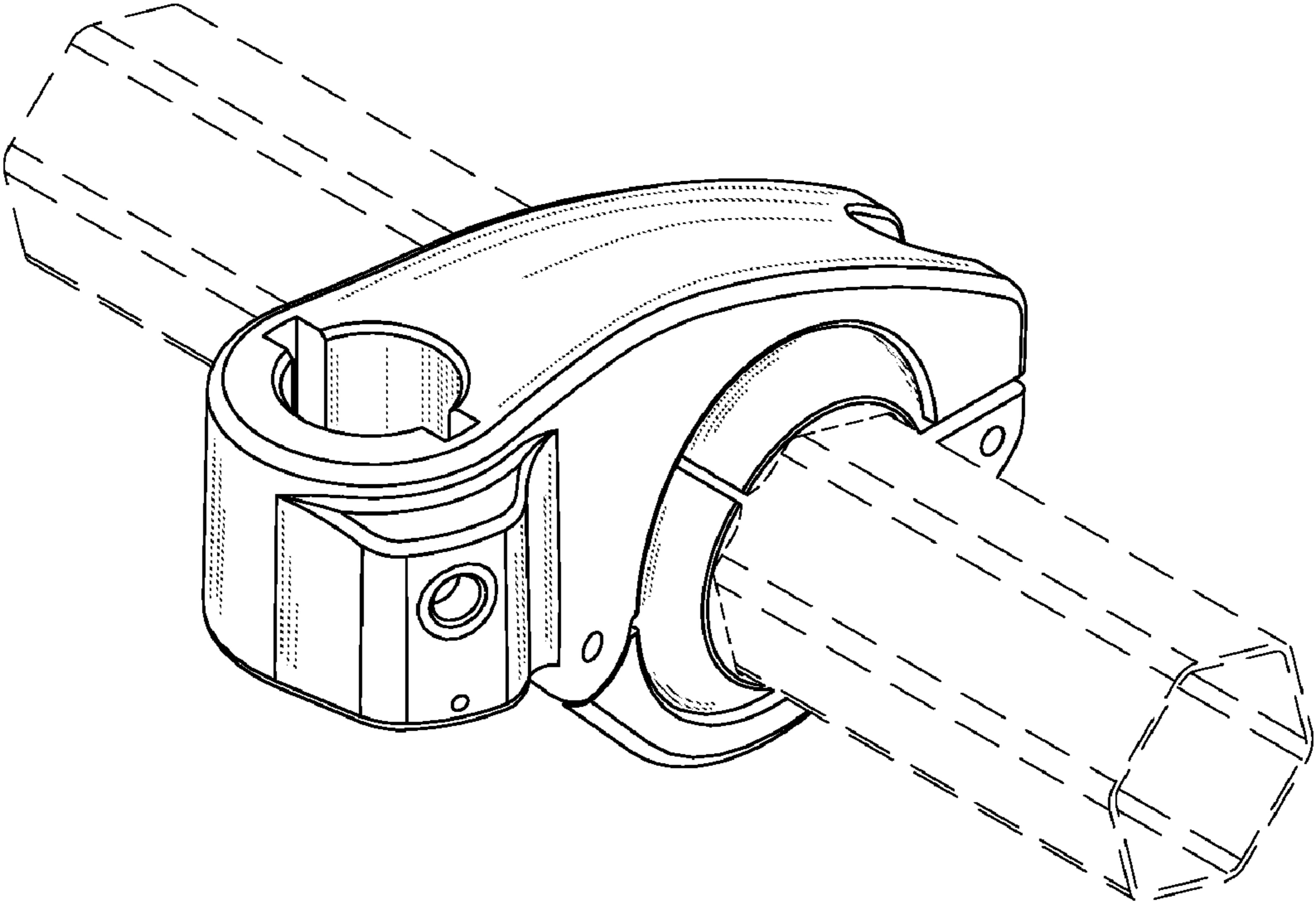


Fig. 1

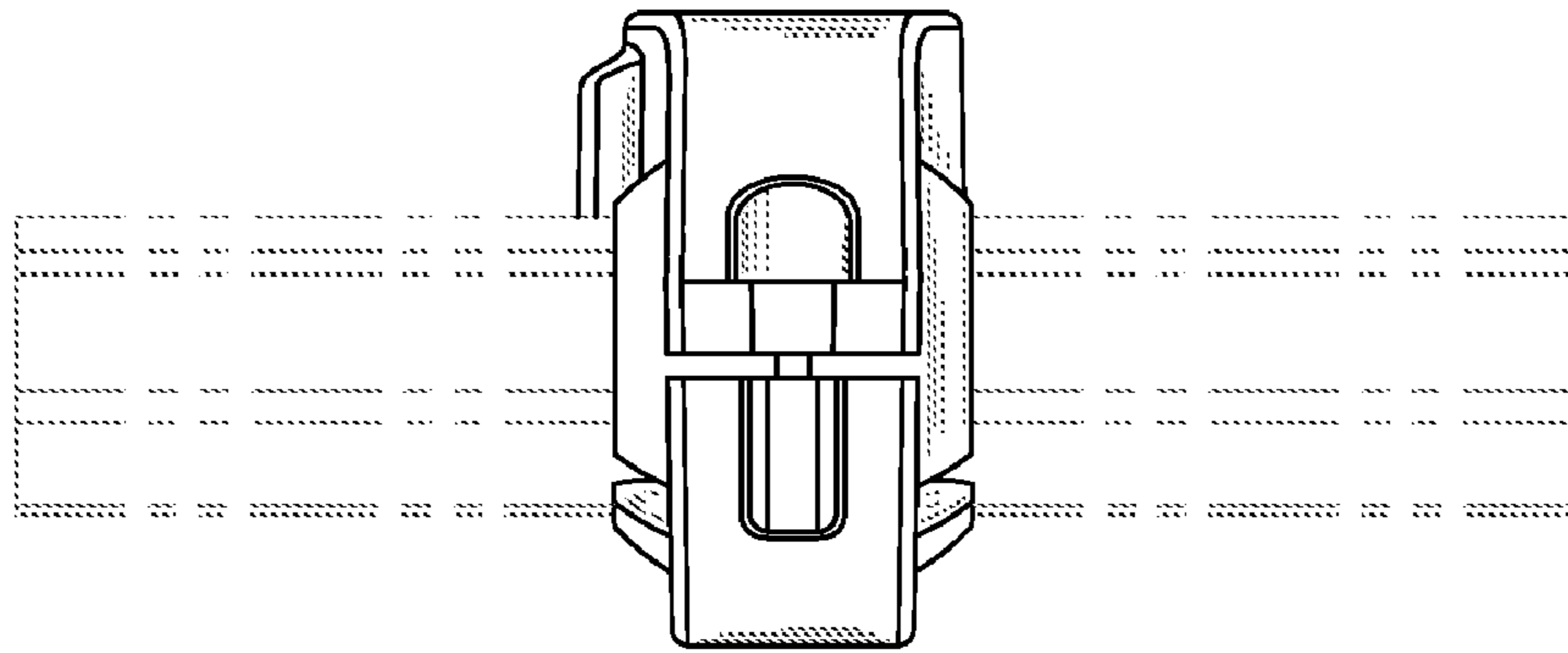


Fig. 2

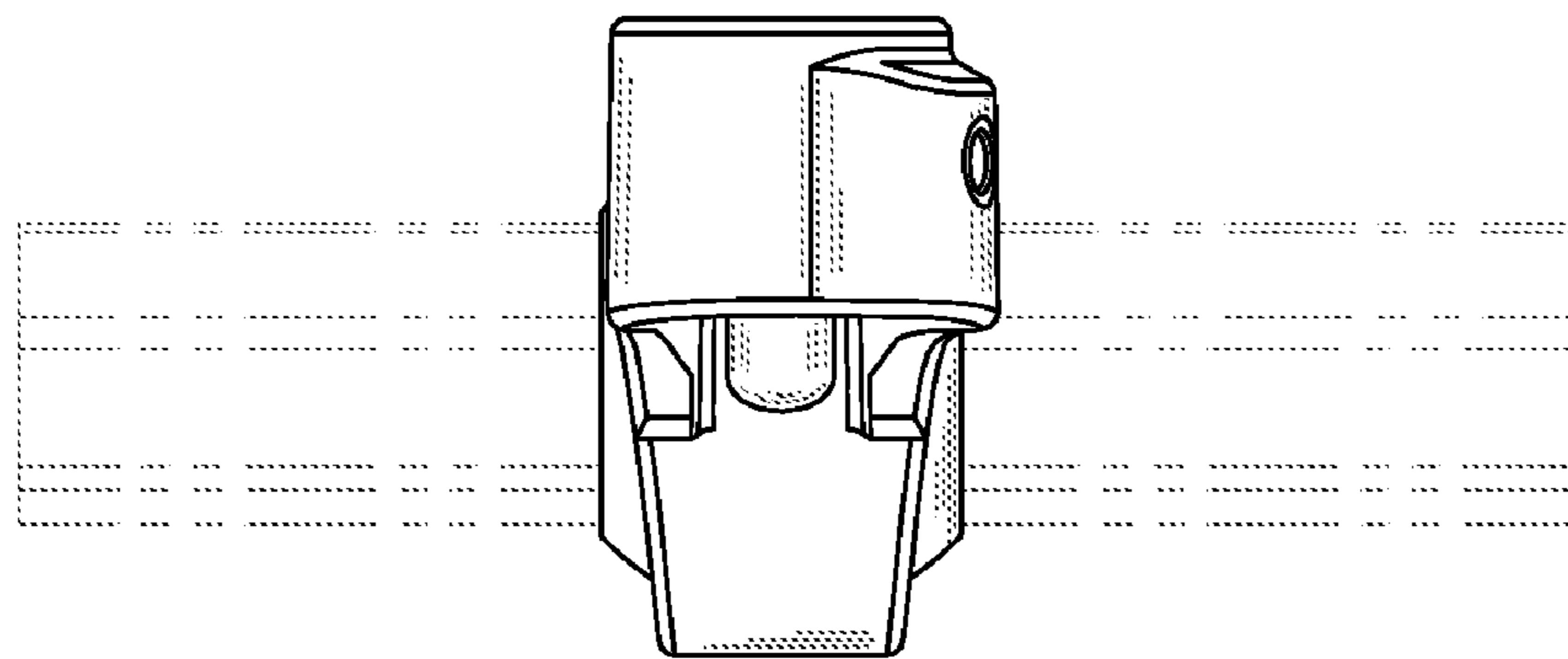


Fig. 3

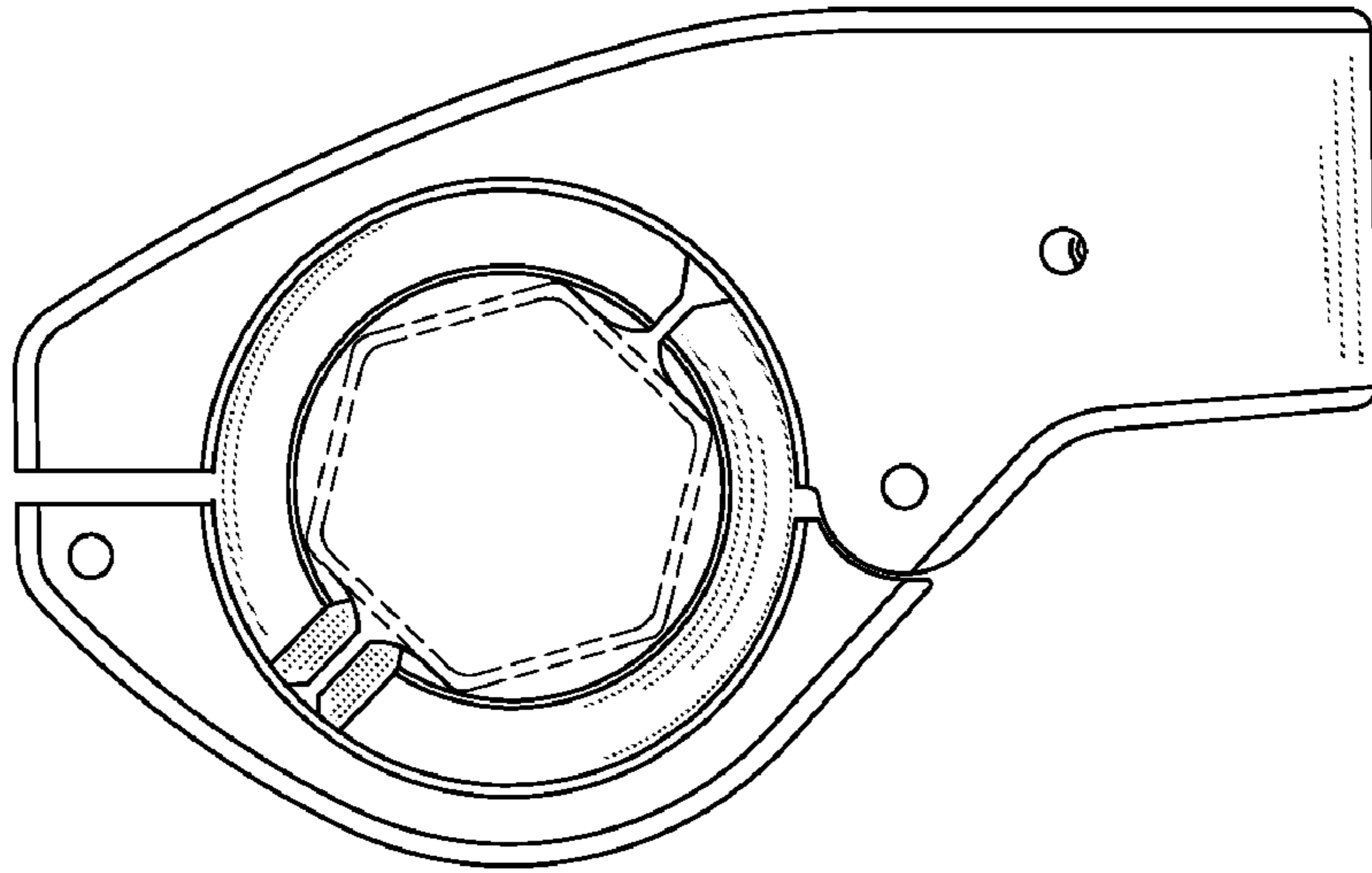


Fig. 4

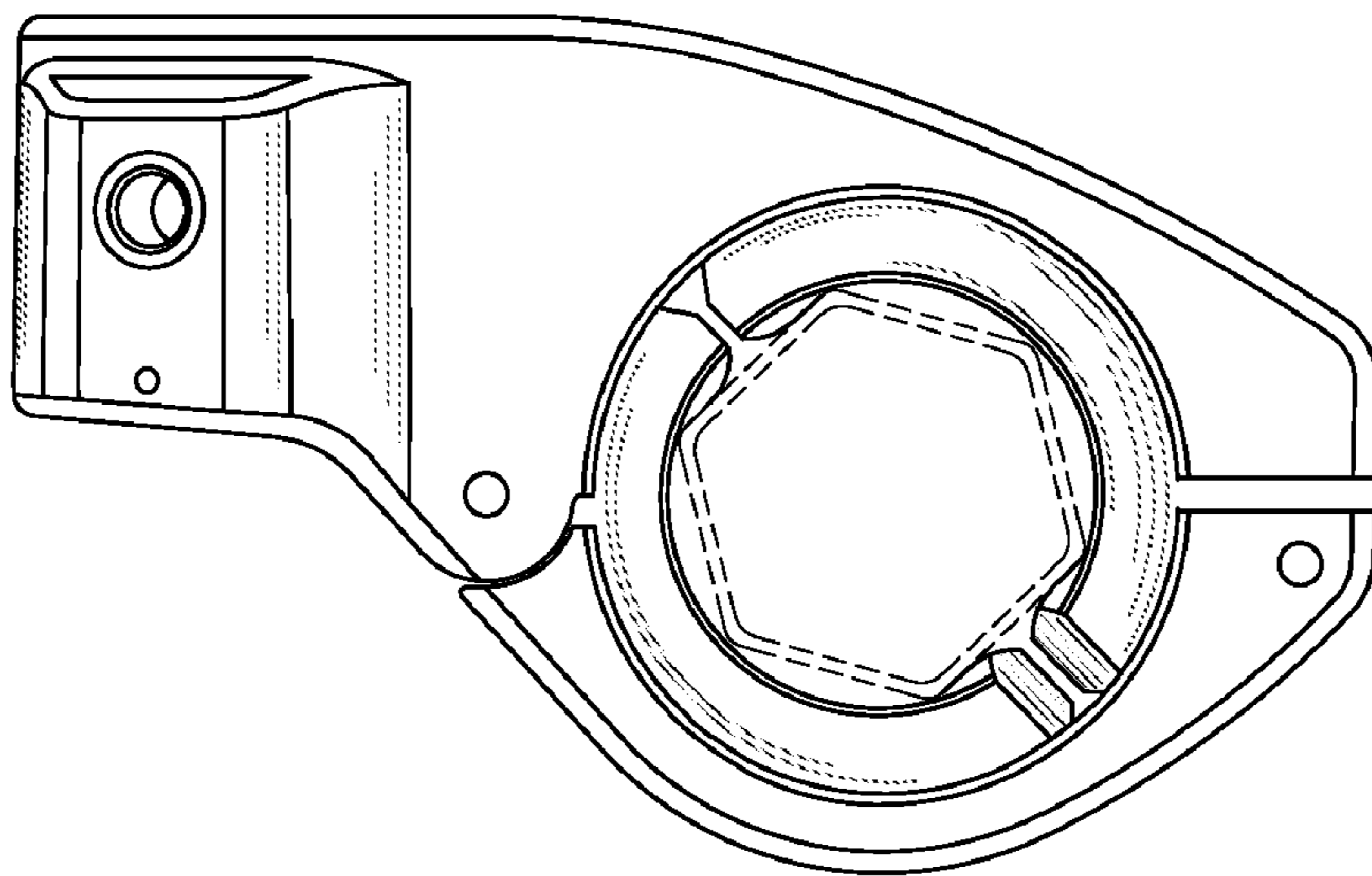


Fig. 5

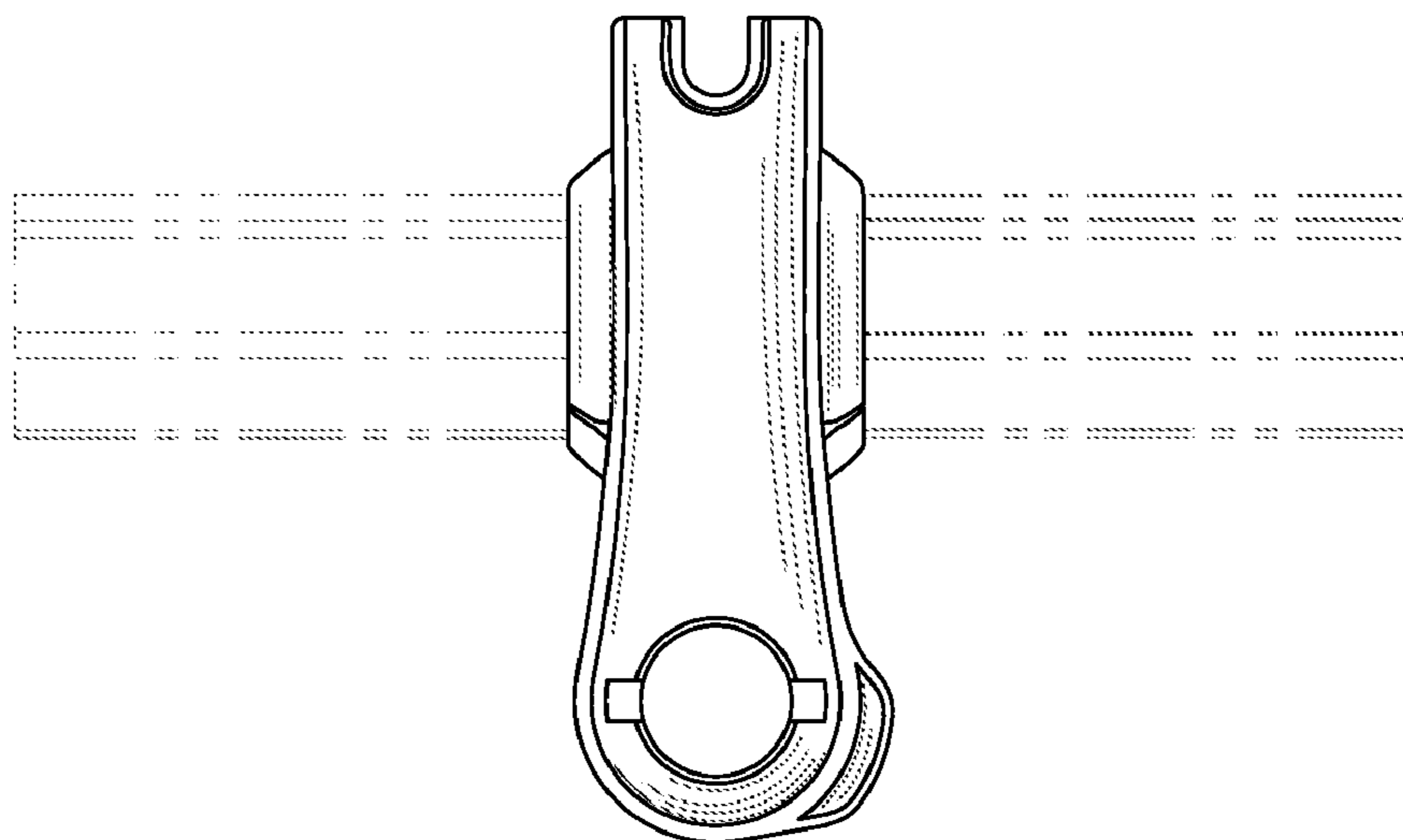


Fig. 6

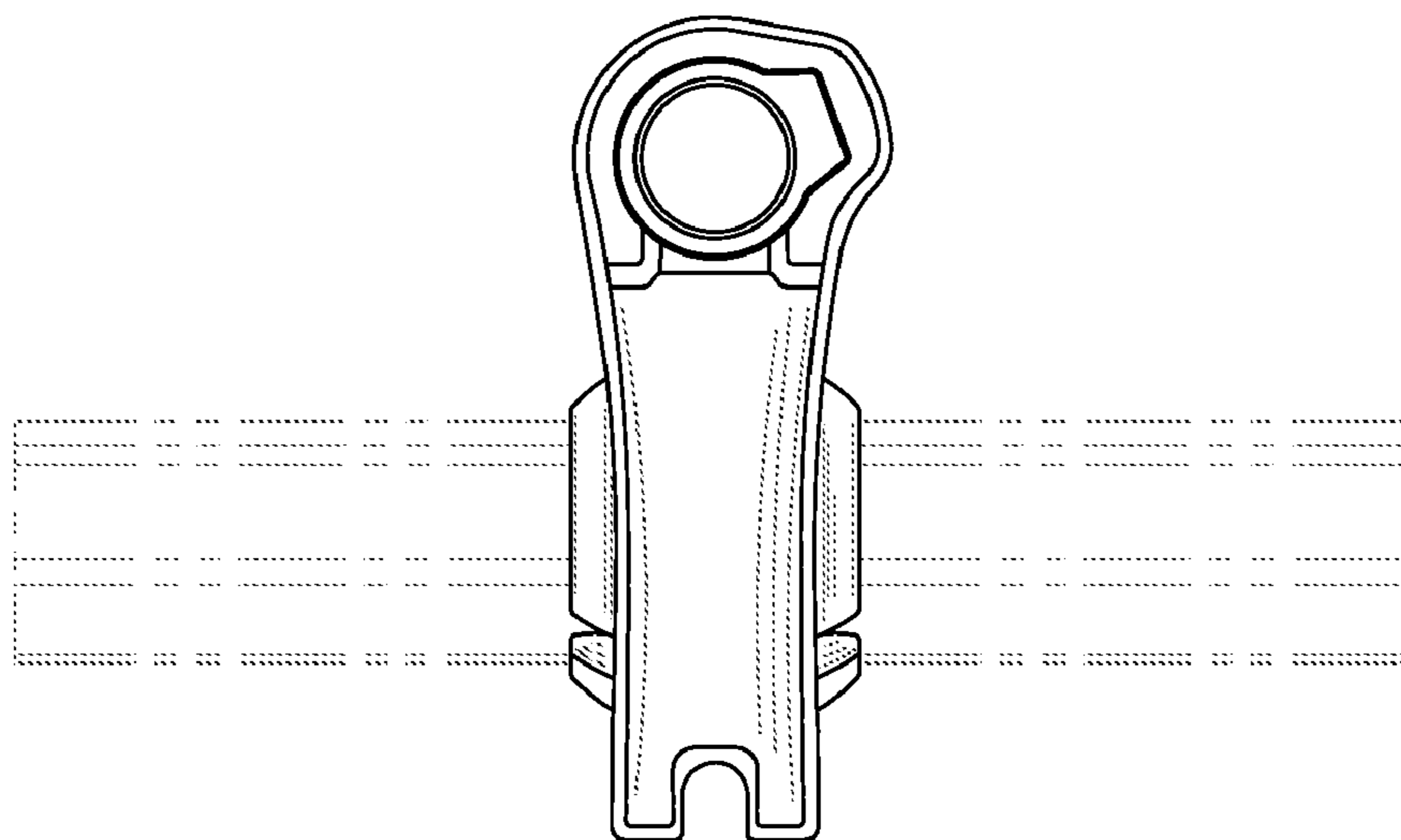


Fig. 7