



US00D580261S

(12) **United States Design Patent**  
**Bulte**

(10) **Patent No.:** **US D580,261 S**

(45) **Date of Patent:** **\*\* Nov. 11, 2008**

(54) **FASTENER HEAD**

(76) **Inventor:** **Robert K. Bulte**, 11 Royal Court,  
Ashmore, Queensland (AU) 4214

(\*\*) **Term:** **14 Years**

(21) **Appl. No.:** **29/303,850**

(22) **Filed:** **Feb. 19, 2008**

5,366,330 A	11/1994	Cosenza	
5,449,260 A	9/1995	Whittle	
5,598,753 A	2/1997	Lee	
D414,402 S	9/1999	Lee	
5,957,645 A	9/1999	Stacy	
D415,676 S	10/1999	Negishi et al.	
6,293,745 B1 *	9/2001	Lu	411/410
D517,404 S *	3/2006	Schluter	D8/387
D531,015 S *	10/2006	Lin	D8/387
D559,094 S *	1/2008	Totsu	D8/387

**Related U.S. Application Data**

(62) Division of application No. 29/275,897, filed on Jan. 9,  
2007, now Pat. No. Des. 565,943.

**Foreign Application Priority Data**

Nov. 22, 2006	(JP)	.....	2006-032012
Nov. 22, 2006	(JP)	.....	2006-032013
Nov. 22, 2006	(JP)	.....	2006-032014

(51) **LOC (8) Cl.** ..... **08-08**

(52) **U.S. Cl.** ..... **D8/387**

(58) **Field of Classification Search** ..... D8/387,  
D8/388; 411/403, 404, 419

See application file for complete search history.

(56) **References Cited**

**U.S. PATENT DOCUMENTS**

RE24,878 E	9/1960	Smith et al.	
3,170,364 A	2/1965	Johnston et al.	
3,331,274 A	7/1967	Walton	
3,498,173 A *	3/1970	Wright	411/403
3,874,258 A	4/1975	Semola et al.	
4,149,434 A	4/1979	Wilson	
D285,651 S	9/1986	Iwata et al.	

**FOREIGN PATENT DOCUMENTS**

GB 138281 2/1920

\* cited by examiner

*Primary Examiner*—Holly H Baynham

*Assistant Examiner*—Sheryl Lane

(74) *Attorney, Agent, or Firm*—David A. Guerra

(57) **CLAIM**

The ornamental design for a fastener head, as shown and described.

**DESCRIPTION**

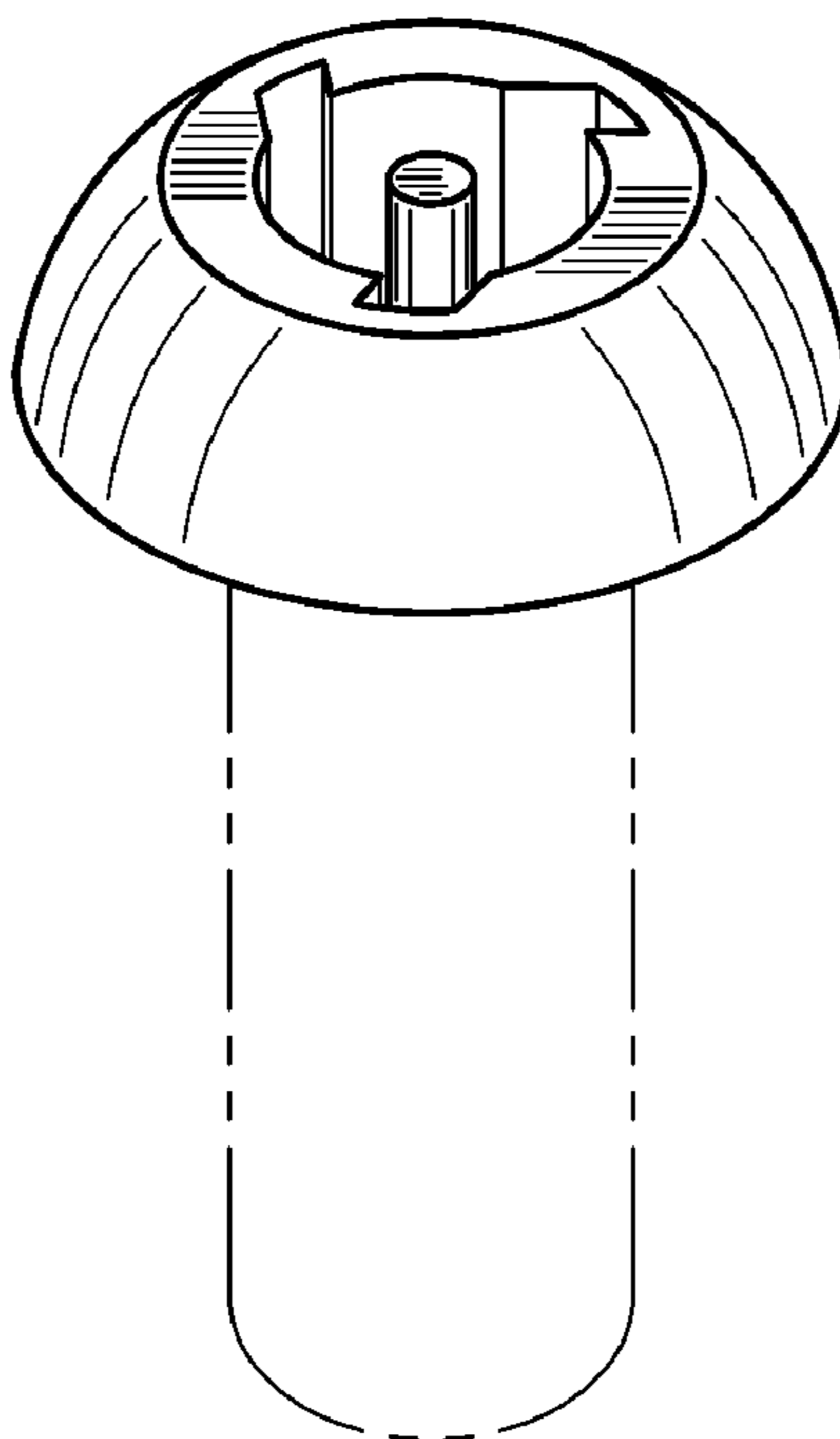
FIG. 1 is a perspective view of the fastener head constructed in accordance with the new design;

FIG. 2 is a top plane view; and,

FIG. 3 is a front elevational view, with the back, left, and right elevational views being mirror images thereof.

The elements illustrated in dashed lines in the accompanying drawings are considered environmental and do not form a part of the claimed design.

**1 Claim, 1 Drawing Sheet**



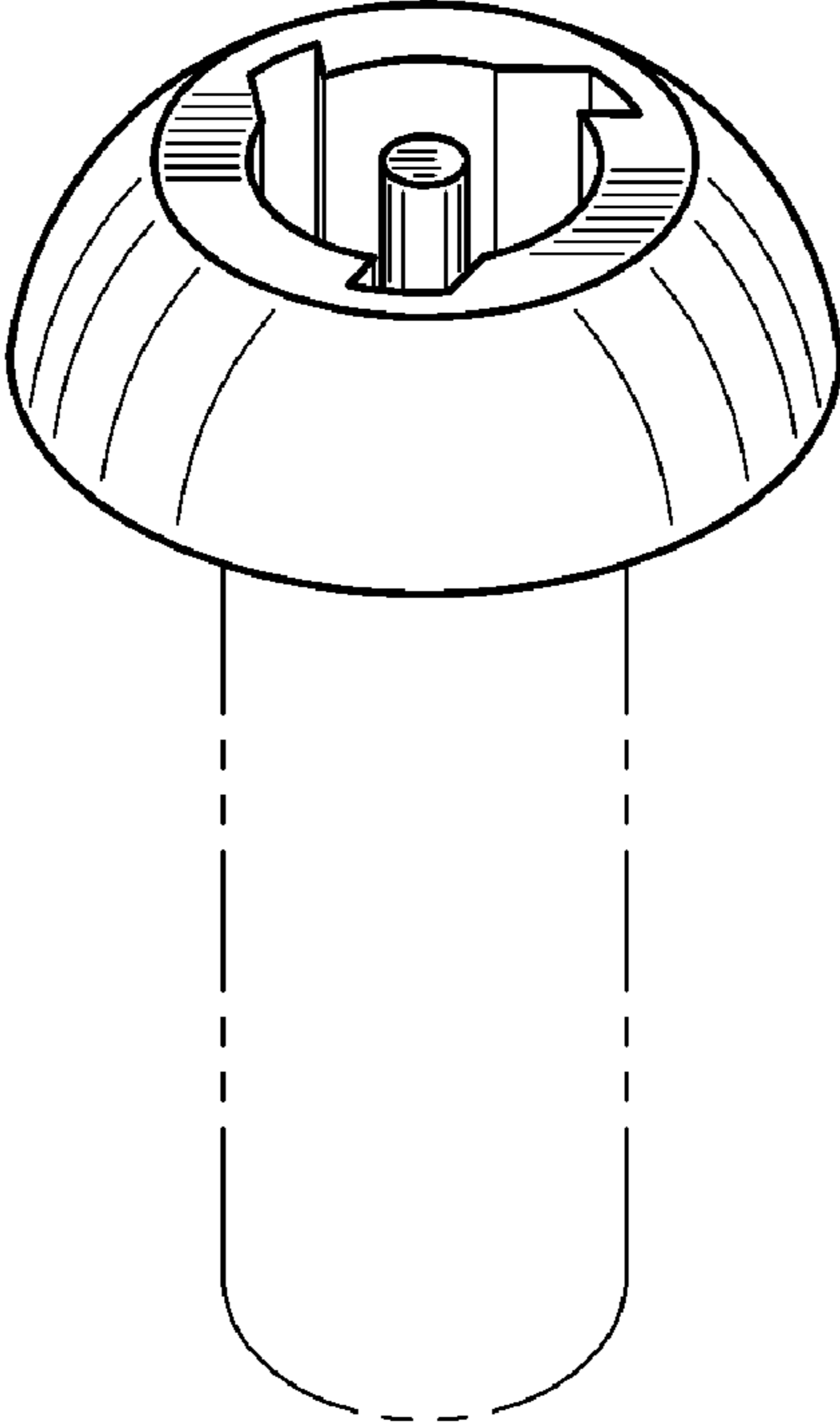


FIG. 1

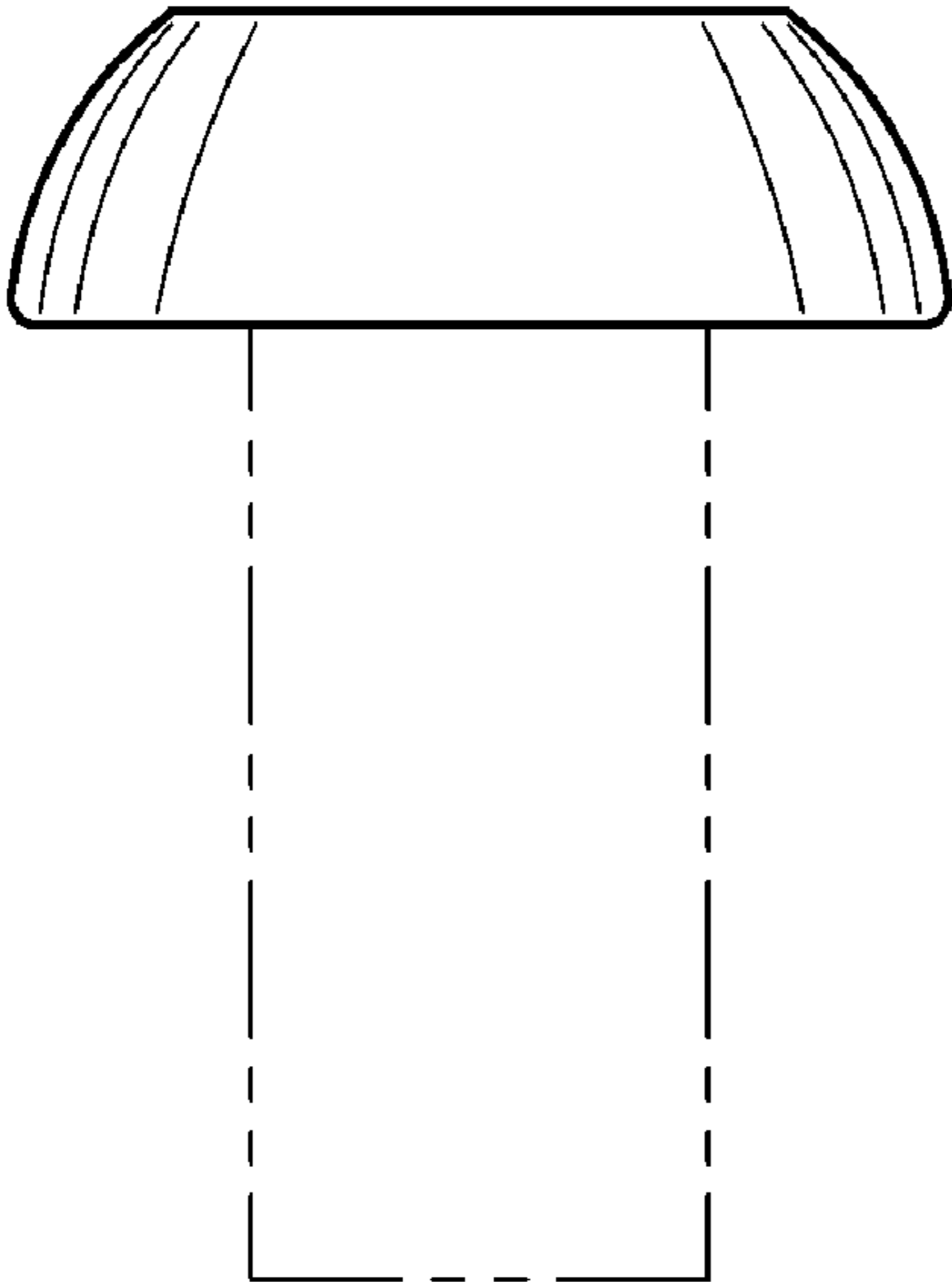


FIG. 3

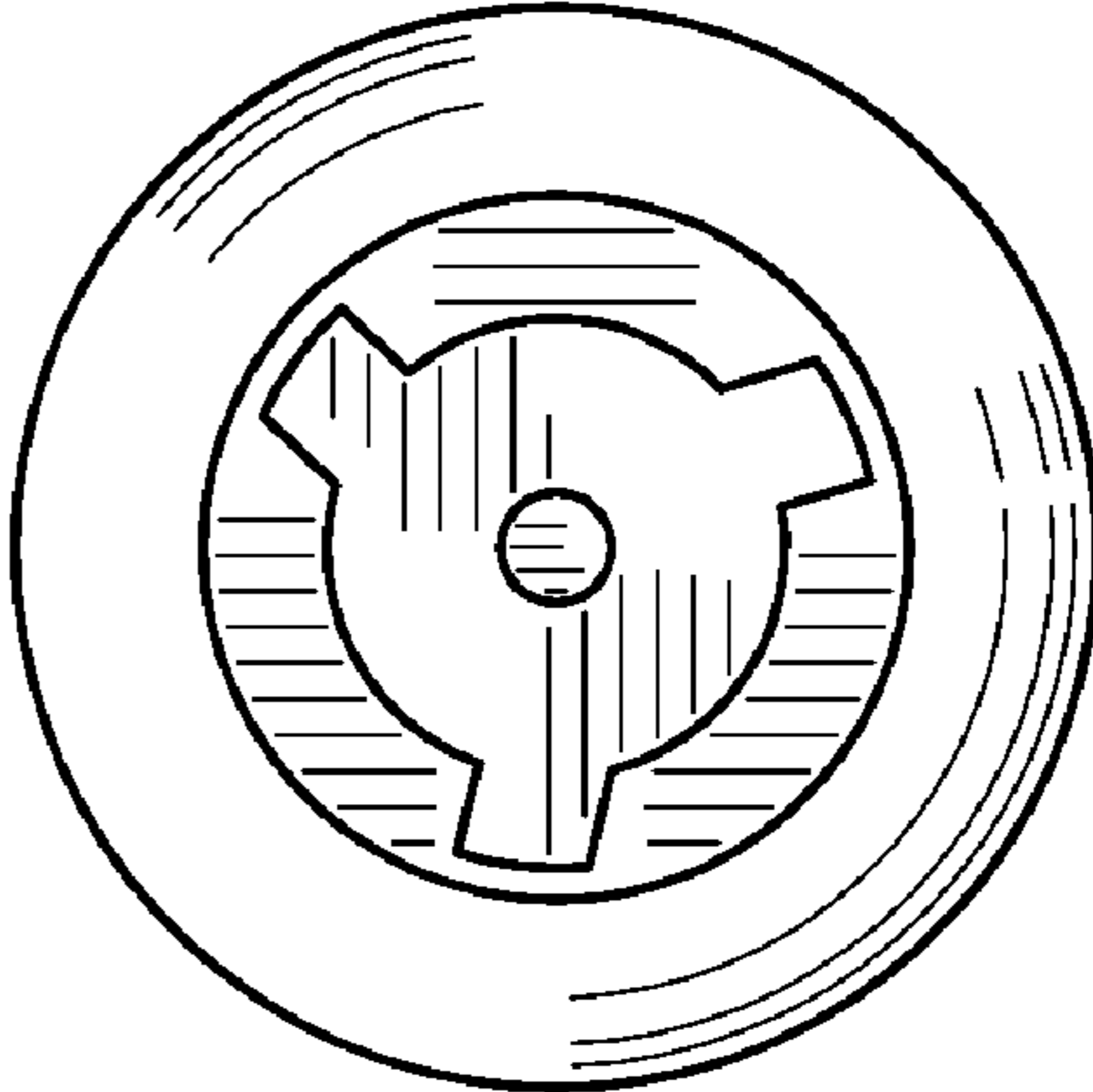


FIG. 2