



US00D580255S

(12) **United States Design Patent**
Miska

(10) **Patent No.:** **US D580,255 S**

(45) **Date of Patent:** **** Nov. 11, 2008**

(54) **STYLIZED SNAP-ON DRAWER PULL**

(76) **Inventor:** **Casandra L. Miska**, 18225 Stevie Ray Dr., Pflugerville, TX (US) 78660

(**) **Term:** **14 Years**

(21) **Appl. No.:** **29/302,260**

(22) **Filed:** **Jan. 14, 2008**

(51) **LOC (8) Cl.** **08-06**

(52) **U.S. Cl.** **D8/314; D8/300**

(58) **Field of Classification Search** D8/314, D8/300, 303, 307, 313, 315, 317-319; 16/413, 16/415, 419; 70/77, 85, 132; 292/74, 95, 292/109, 117, 119, 137, 246, 256, 300; 312/334.21, 312/348.6
See application file for complete search history.

(56) **References Cited**

U.S. PATENT DOCUMENTS

726,192	A *	4/1903	Reely	292/256
D167,151	S *	7/1952	Koch	D8/314
2,918,318	A *	12/1959	Sacharski	292/87
3,107,389	A	10/1963	Engelbrecht		
3,420,399	A *	1/1969	Heisler	220/324
3,997,205	A *	12/1976	MacDonald	292/288
D246,825	S	1/1978	Deutsch		
D246,949	S *	1/1978	Davis	D8/300
4,130,309	A *	12/1978	Lewis	292/258
D253,031	S	10/1979	Gidseg		
D258,262	S	2/1981	Sharon		
4,379,576	A *	4/1983	Blough et al.	292/205

4,379,603	A	4/1983	Johnson		
D304,156	S *	10/1989	Puente, Jr.	D8/314
D315,486	S *	3/1991	Pierce	D8/307
5,638,906	A	6/1997	McCabe		
D384,571	S *	10/1997	Edwards	D8/307
6,164,098	A	12/2000	Hommes		
D493,687	S *	8/2004	Ayrest	D8/314
2004/0232811	A1	11/2004	Steffee		
2004/0261226	A1	12/2004	Moody		

* cited by examiner

Primary Examiner—Prabhakar Deshmukh

Assistant Examiner—Derrick Holland

(74) *Attorney, Agent, or Firm*—Charles M. Allen

(57) **CLAIM**

The ornamental design for a stylized snap-on drawer pull, as shown and described.

DESCRIPTION

FIG. 1 is a front perspective view of a stylized snap-on drawer pull showing my new design;

FIG. 2 is a front elevational view thereof;

FIG. 3 is a rear elevational view thereof;

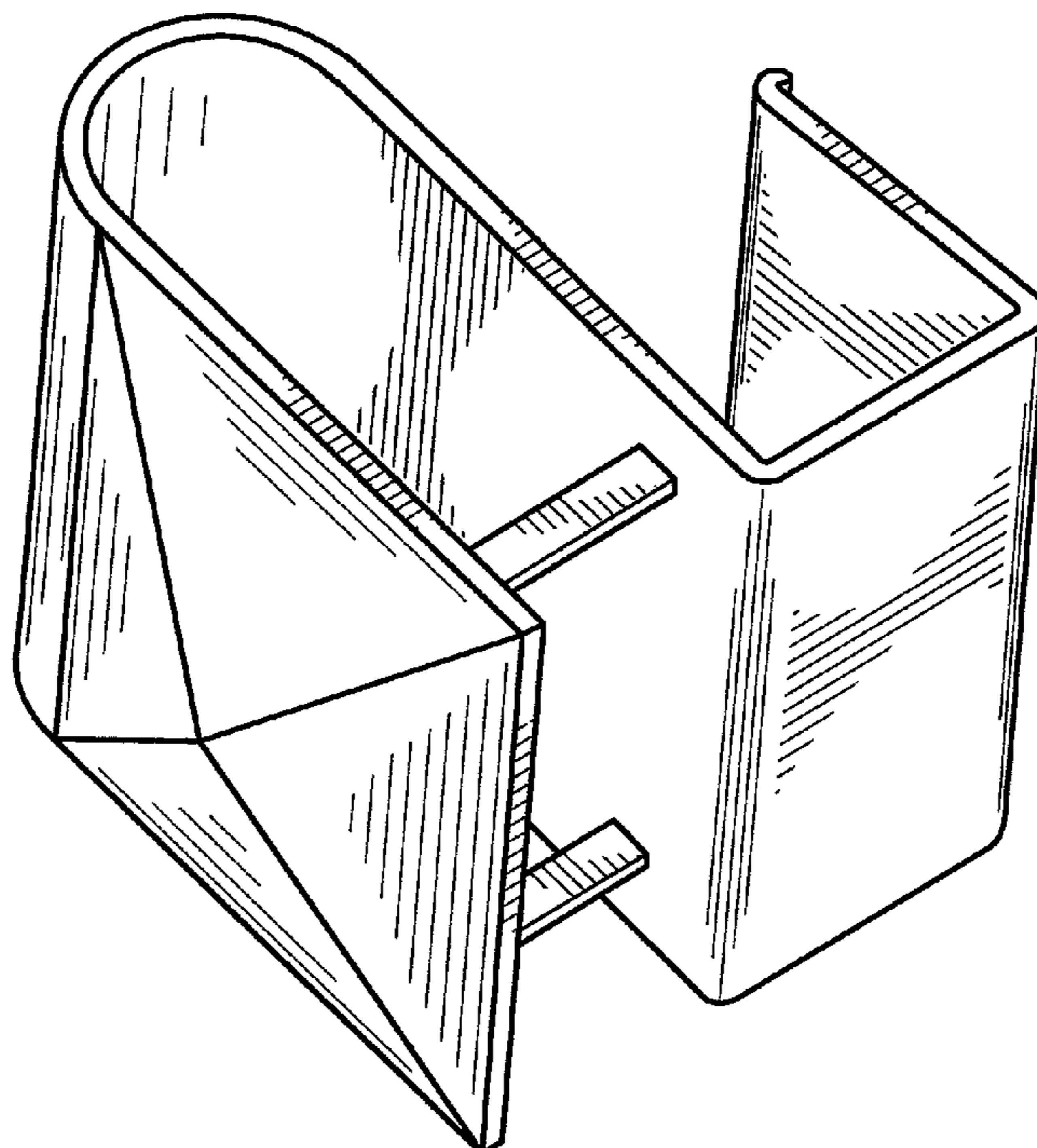
FIG. 4 is a left side elevational view thereof;

FIG. 5 is a right side elevational view thereof;

FIG. 6 is a bottom plan view thereof; and,

FIG. 7 is a top plan view thereof.

1 Claim, 4 Drawing Sheets



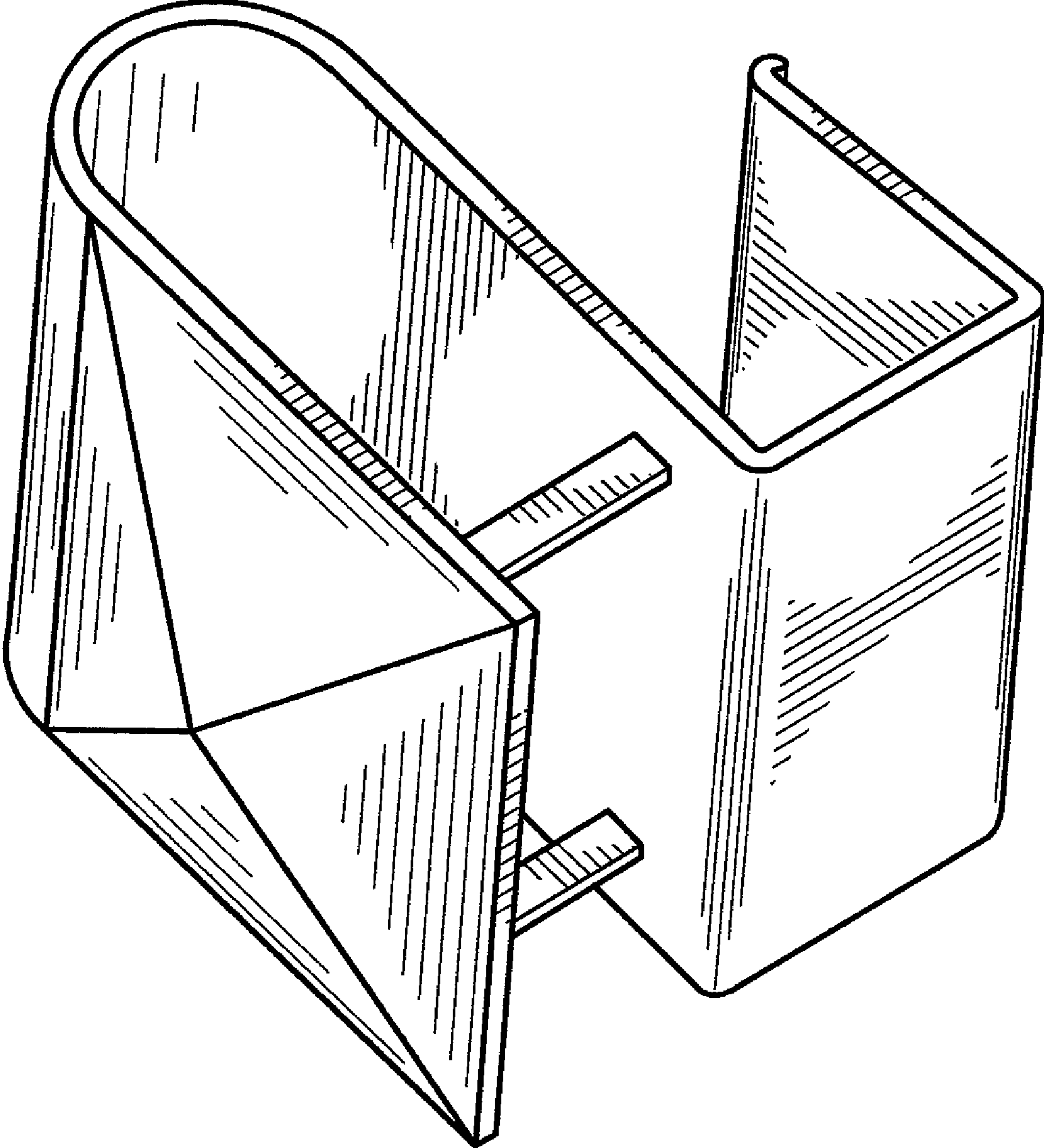


FIG. 1

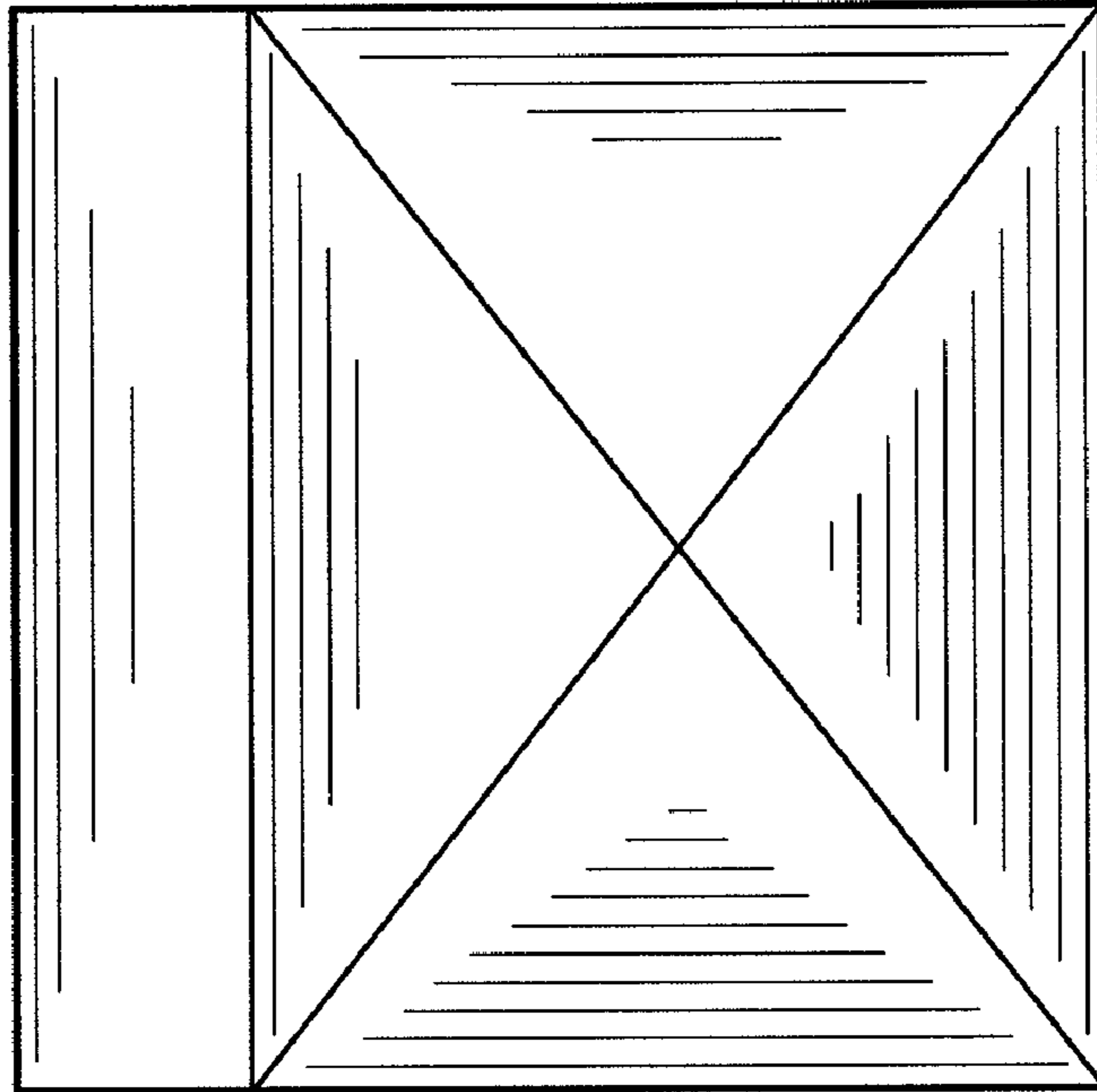


FIG. 2

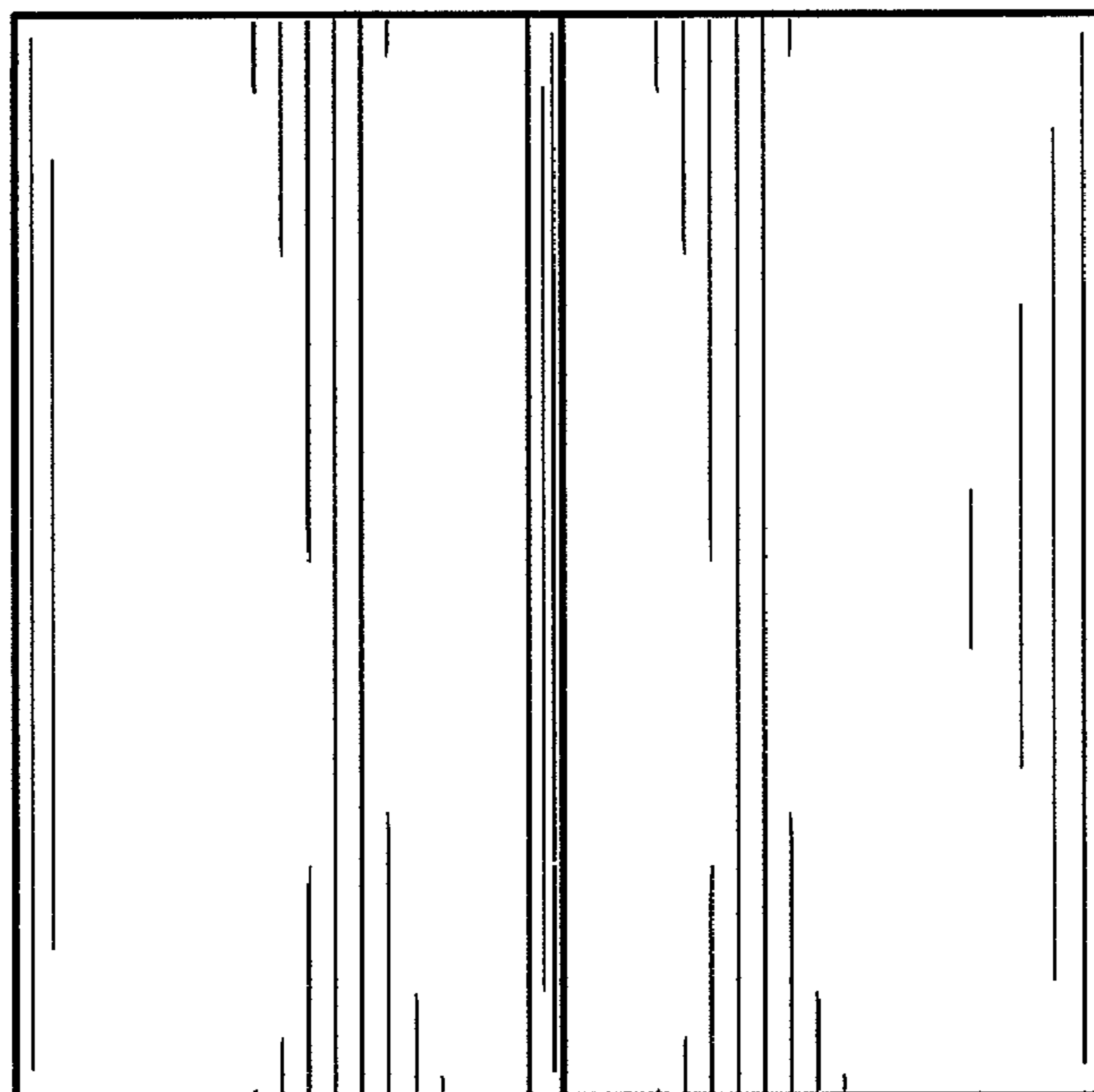


FIG. 3

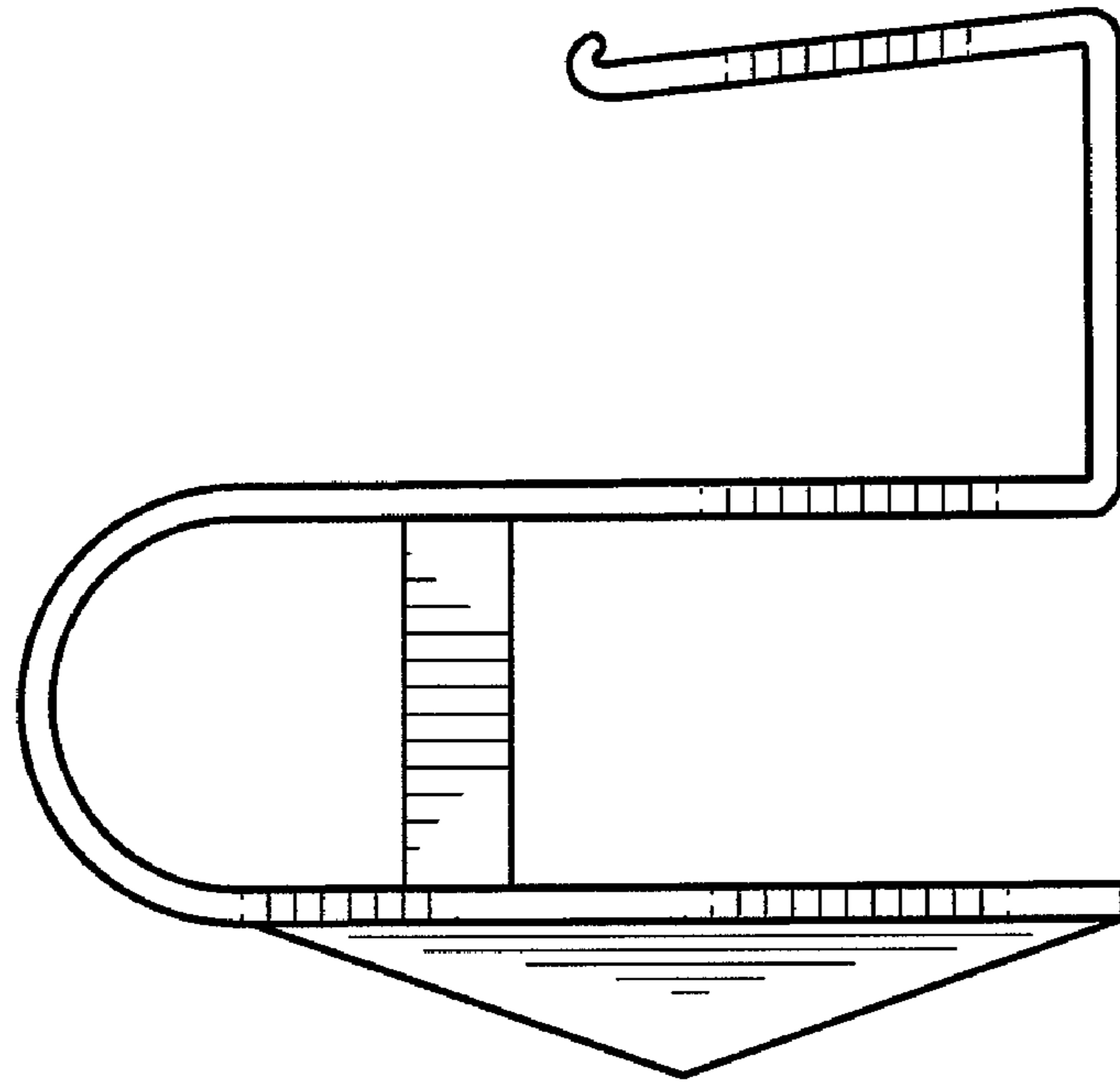


FIG. 4

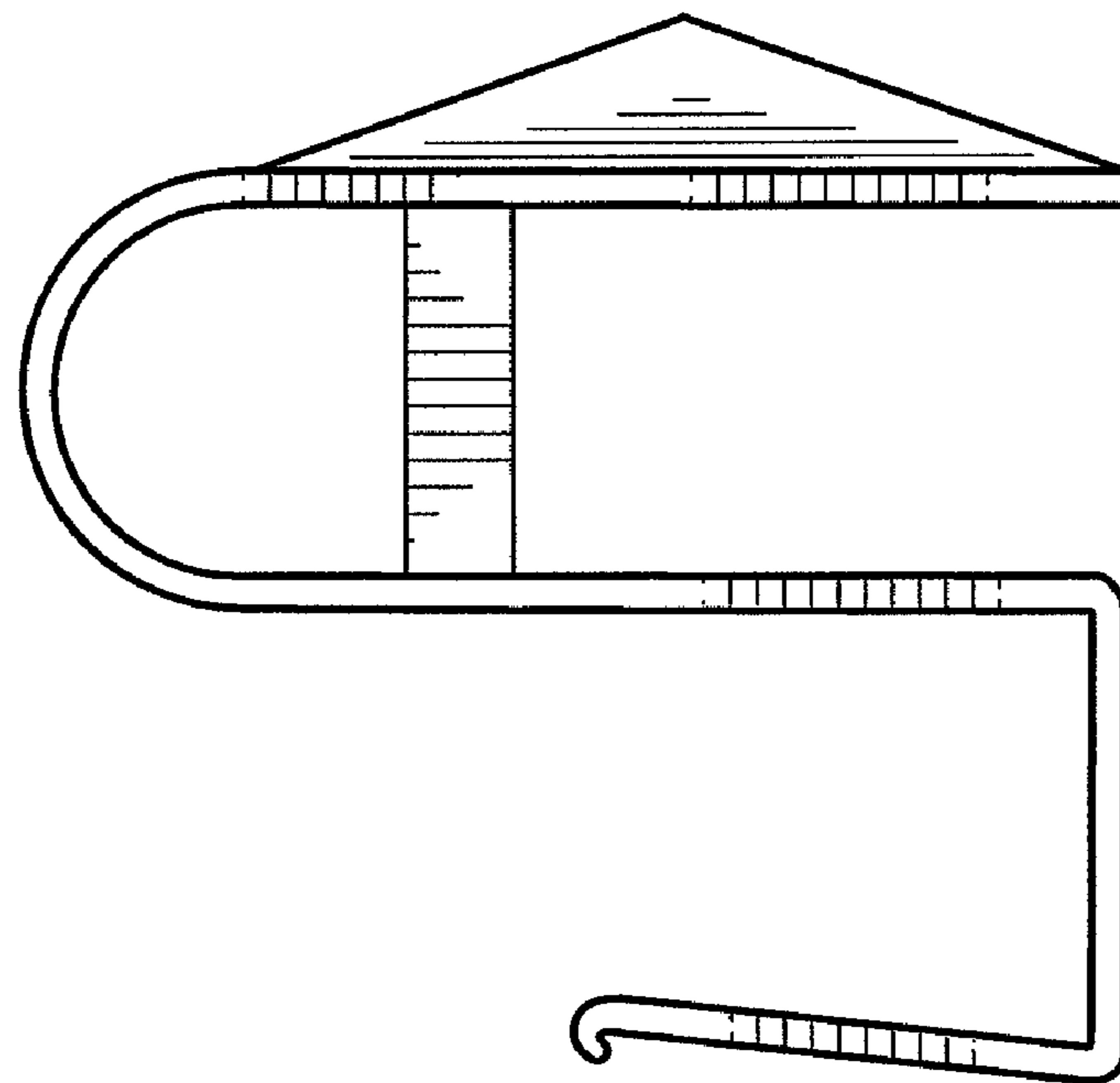


FIG. 5

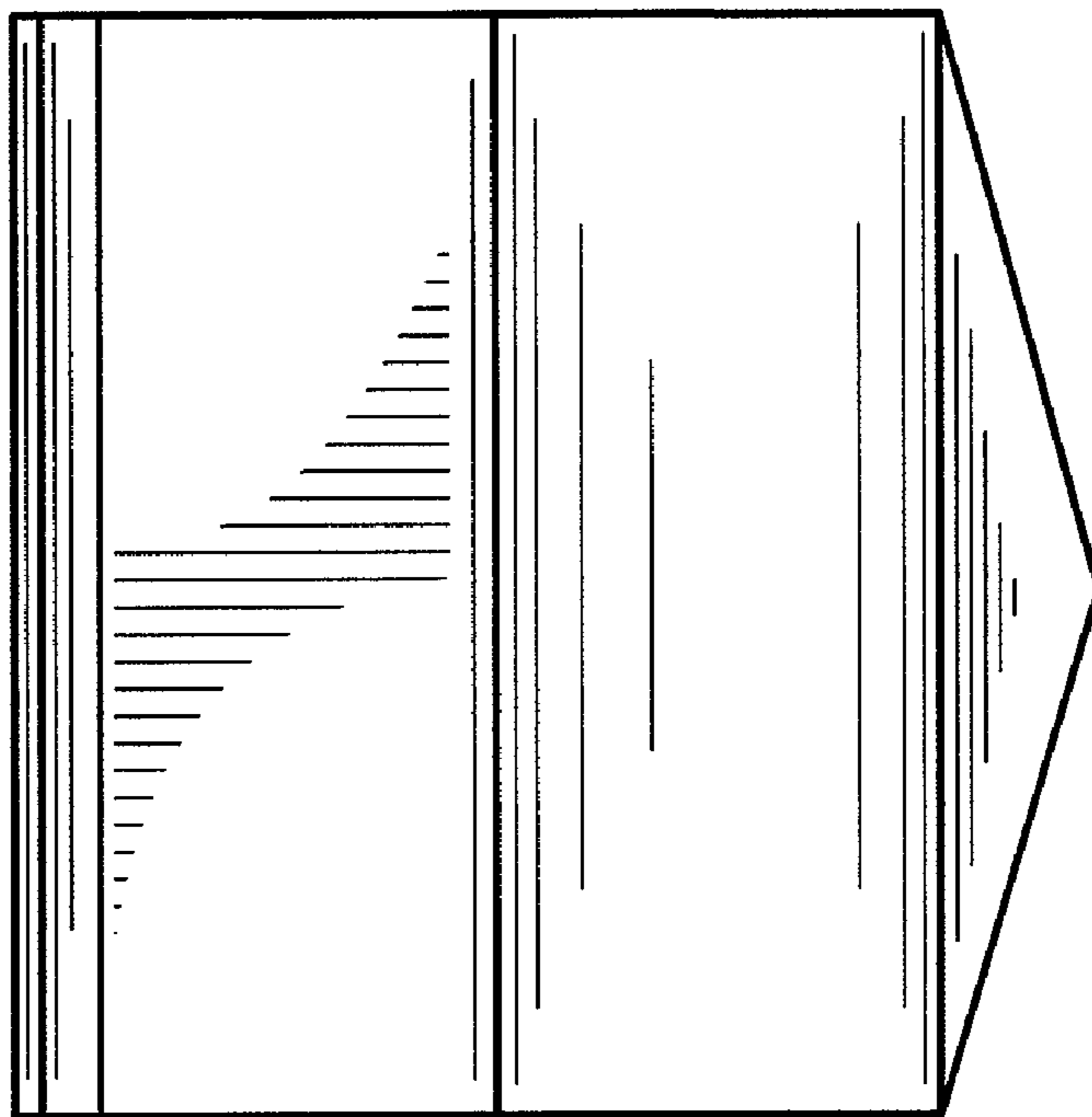


FIG. 6

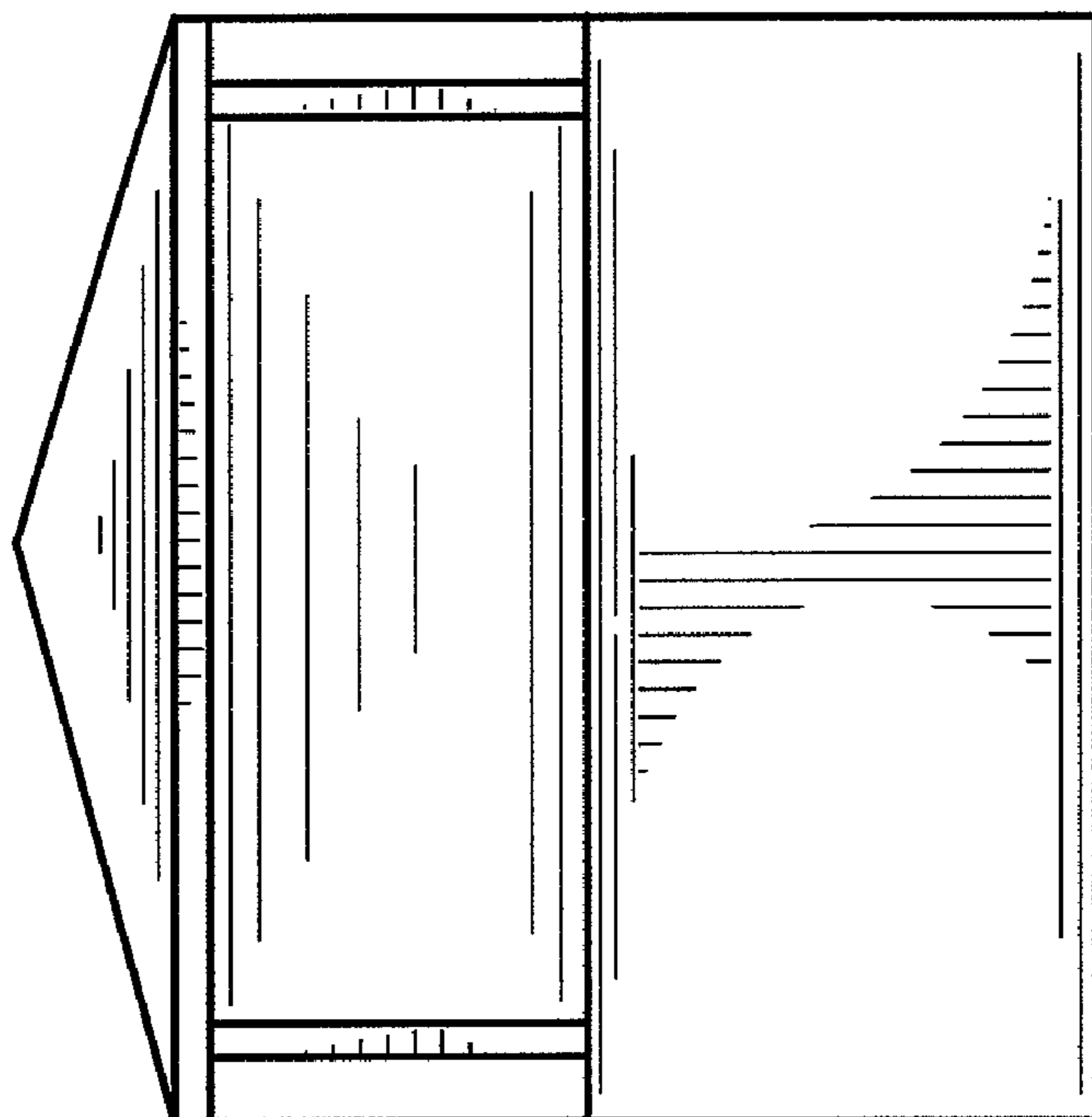


FIG. 7