

US00D580254S

(12) **United States Design Patent**
Miska

(10) **Patent No.:** **US D580,254 S**

(45) **Date of Patent:** **** Nov. 11, 2008**

(54) **STYLIZED SNAP-ON DRAWER PULL**

(76) Inventor: **Casandra L. Miska**, 18225 Stevie Ray Dr., Pflugerville, TX (US) 78660

(**) Term: **14 Years**

(21) Appl. No.: **29/302,259**

(22) Filed: **Jan. 14, 2008**

(51) **LOC (8) Cl.** **08-06**

(52) **U.S. Cl.** **D8/313; D8/300**

(58) **Field of Classification Search** D8/313, D8/300, 303, 307, 314, 315, 317-319; 16/413, 16/415, 419; 70/77, 85, 132; 292/74, 95, 292/109, 117, 119, 137, 246, 256, 300; 312/334.21, 312/348.6
See application file for complete search history.

(56) **References Cited**

U.S. PATENT DOCUMENTS

| | | | | |
|-----------|-----|---------|---------------|---------|
| 726,192 | A * | 4/1903 | Reely | 292/256 |
| D167,151 | S * | 7/1952 | Koch | D8/314 |
| 2,918,318 | A * | 12/1959 | Sacharski | 292/87 |
| 3,107,389 | A | 10/1963 | Engelbrecht | |
| 3,420,399 | A * | 1/1969 | Heisler | 220/324 |
| 3,997,205 | A * | 12/1976 | MacDonald | 292/288 |
| D246,825 | S | 1/1978 | Deutsch | |
| D246,949 | S * | 1/1978 | Davis | D8/300 |
| 4,130,309 | A * | 12/1978 | Lewis | 292/258 |
| D253,031 | S | 10/1979 | Gidseg | |
| D258,262 | S | 2/1981 | Sharon | |
| 4,379,576 | A * | 4/1983 | Blough et al. | 292/205 |

| | | | | |
|--------------|-----|---------|-------------|--------|
| 4,379,603 | A | 4/1983 | Johnson | |
| D304,156 | S * | 10/1989 | Puente, Jr. | D8/314 |
| D315,486 | S * | 3/1991 | Pierce | D8/307 |
| 5,638,906 | A | 6/1997 | McCabe | |
| D384,571 | S * | 10/1997 | Edwards | D8/307 |
| 6,164,098 | A | 12/2000 | Hommes | |
| D493,687 | S * | 8/2004 | Ayrest | D8/314 |
| 2004/0232811 | A1 | 11/2004 | Steffee | |
| 2004/0261226 | A1 | 12/2004 | Moody | |

* cited by examiner

Primary Examiner—Prabhakar Deshmukh

Assistant Examiner—Derrick Holland

(74) *Attorney, Agent, or Firm*—Charles M. Allen

(57) **CLAIM**

The ornamental design for a stylized snap-on drawer pull, as shown and described.

DESCRIPTION

FIG. 1 is a front perspective view of a stylized snap-on drawer pull showing my new design;

FIG. 2 is a top plan view thereof;

FIG. 3 is a bottom plan view thereof;

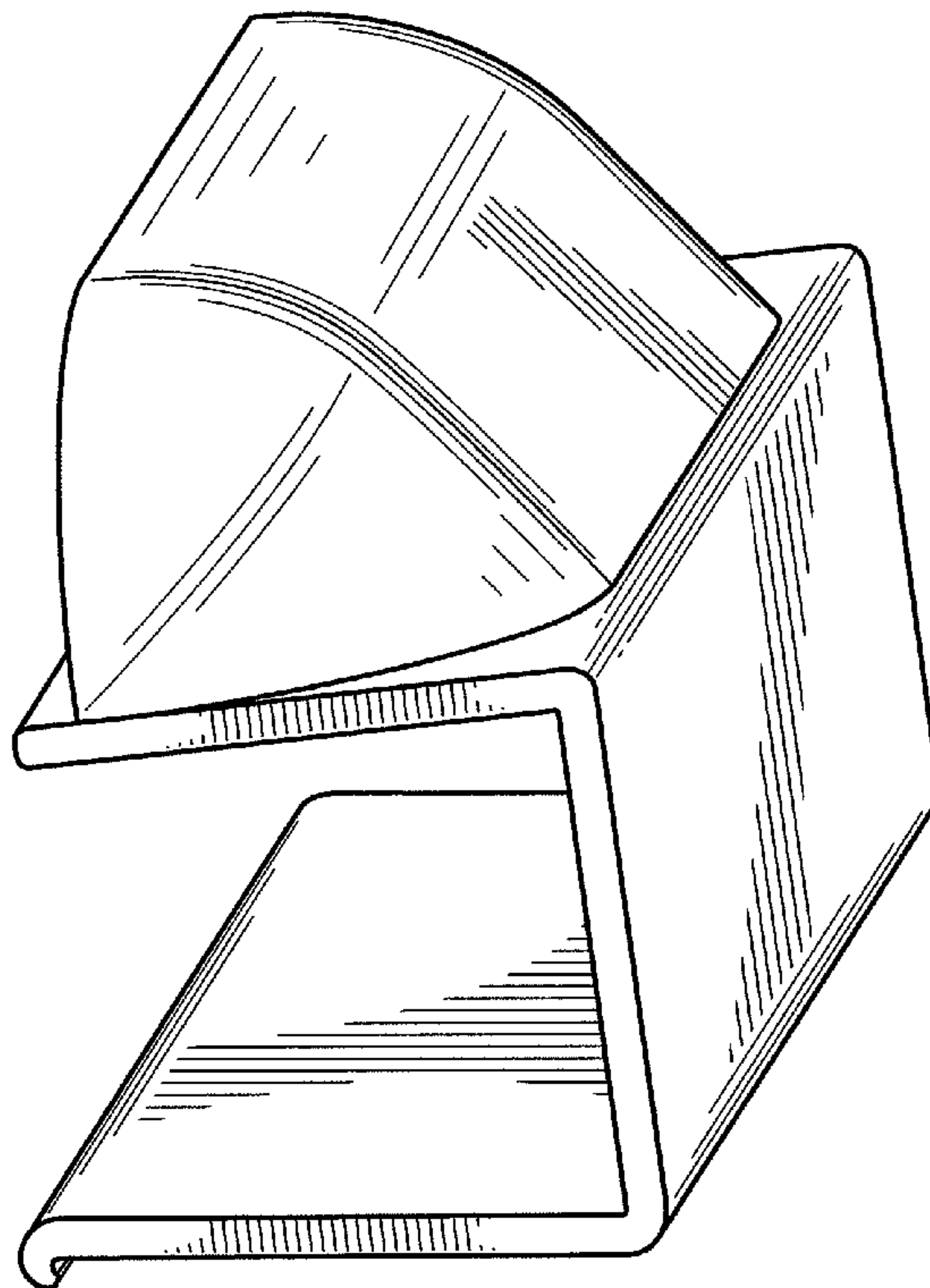
FIG. 4 is a rear elevational view thereof;

FIG. 5 is a front elevational view thereof;

FIG. 6 is a right side elevational view thereof; and,

FIG. 7 is a left side elevational view thereof.

1 Claim, 7 Drawing Sheets



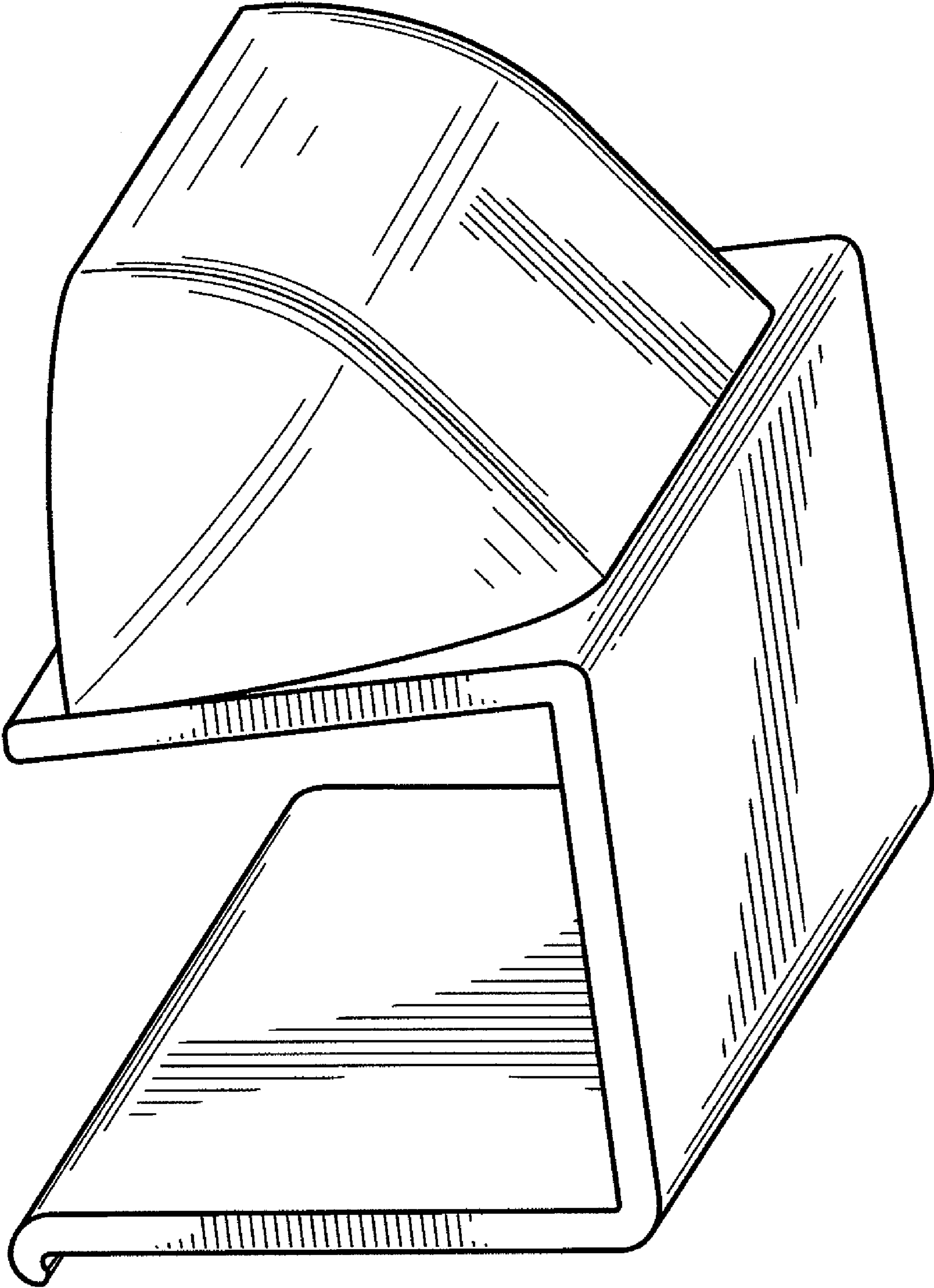


FIG. 1

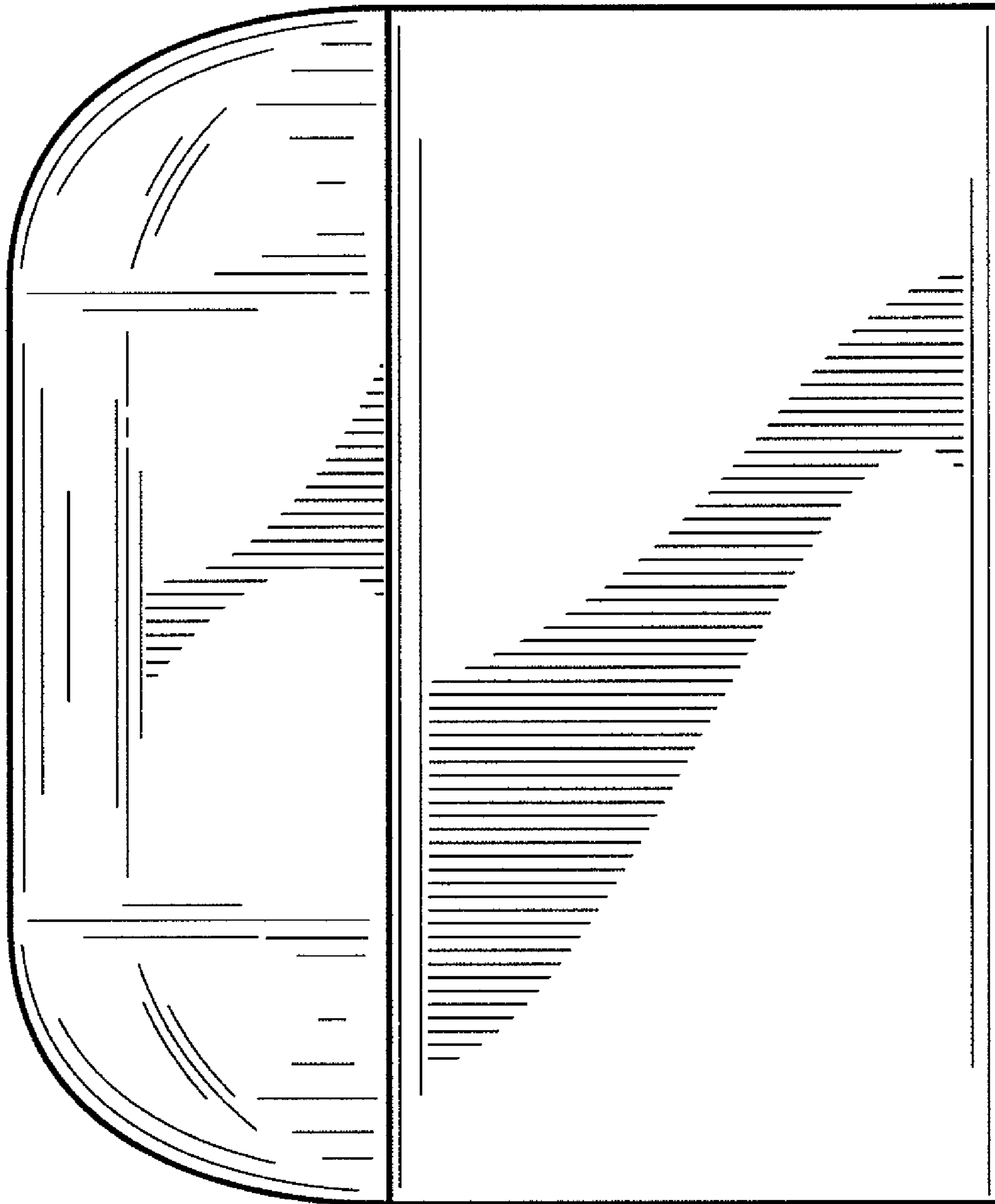


FIG. 2

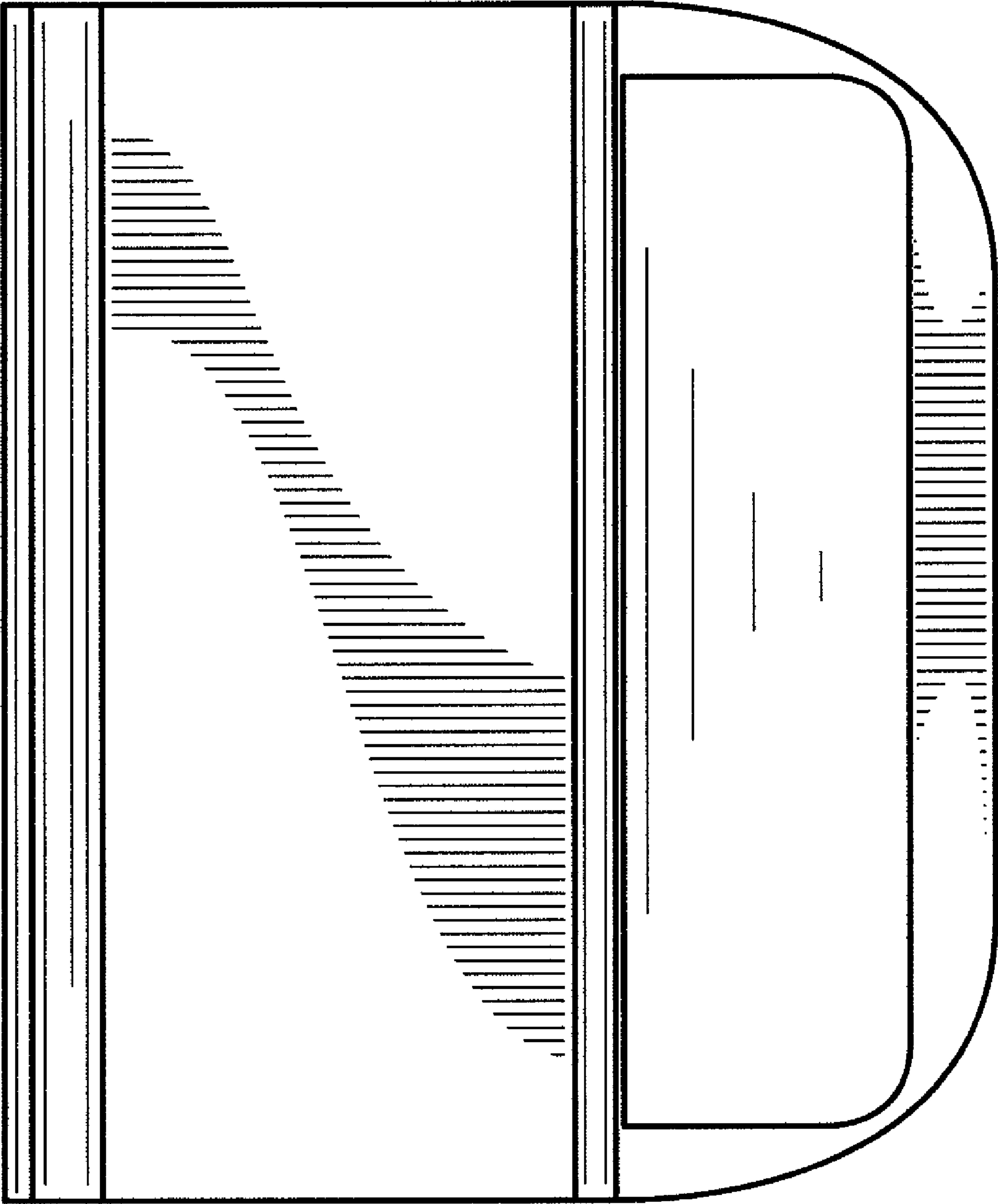


FIG. 3

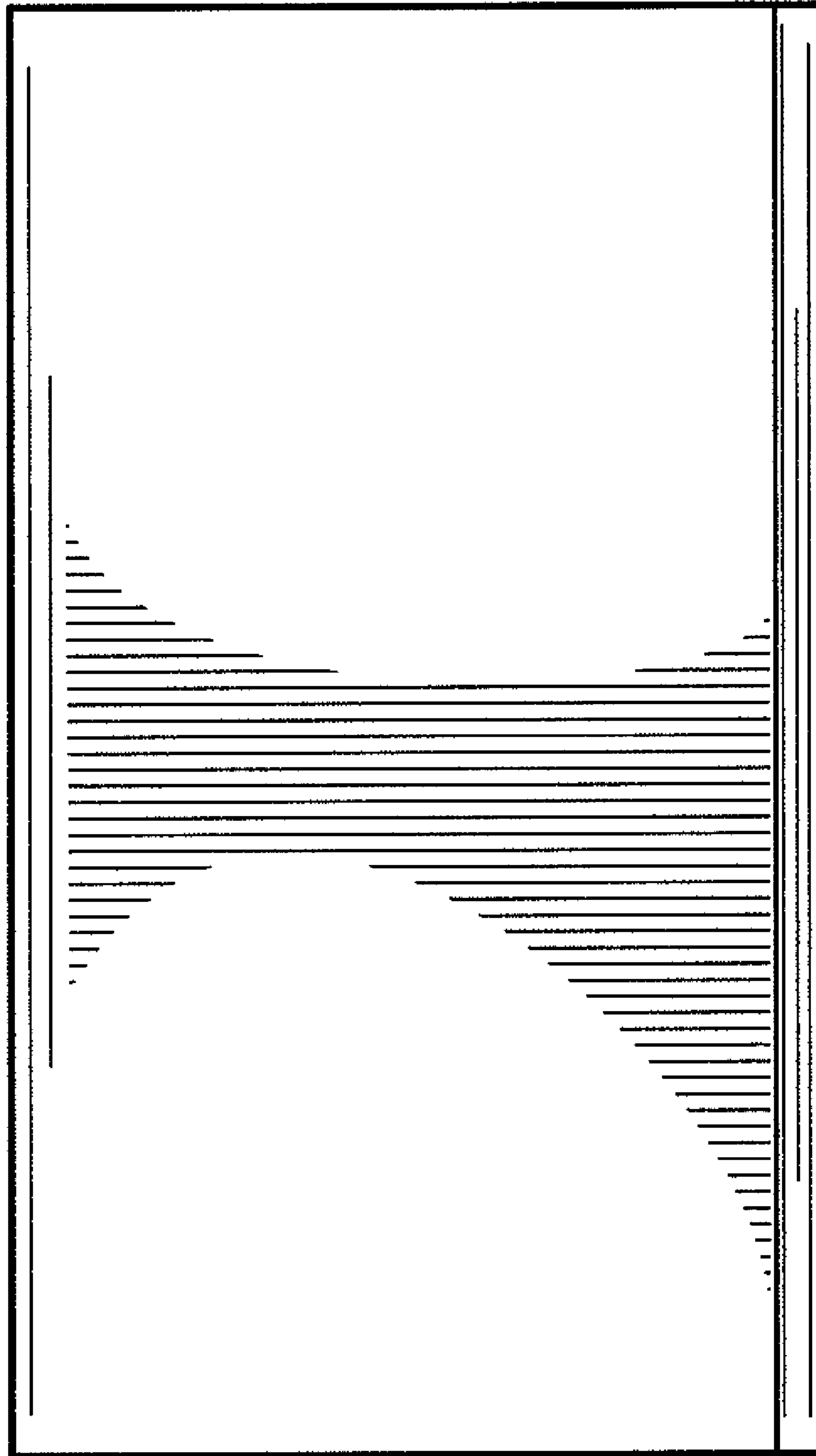


FIG. 4

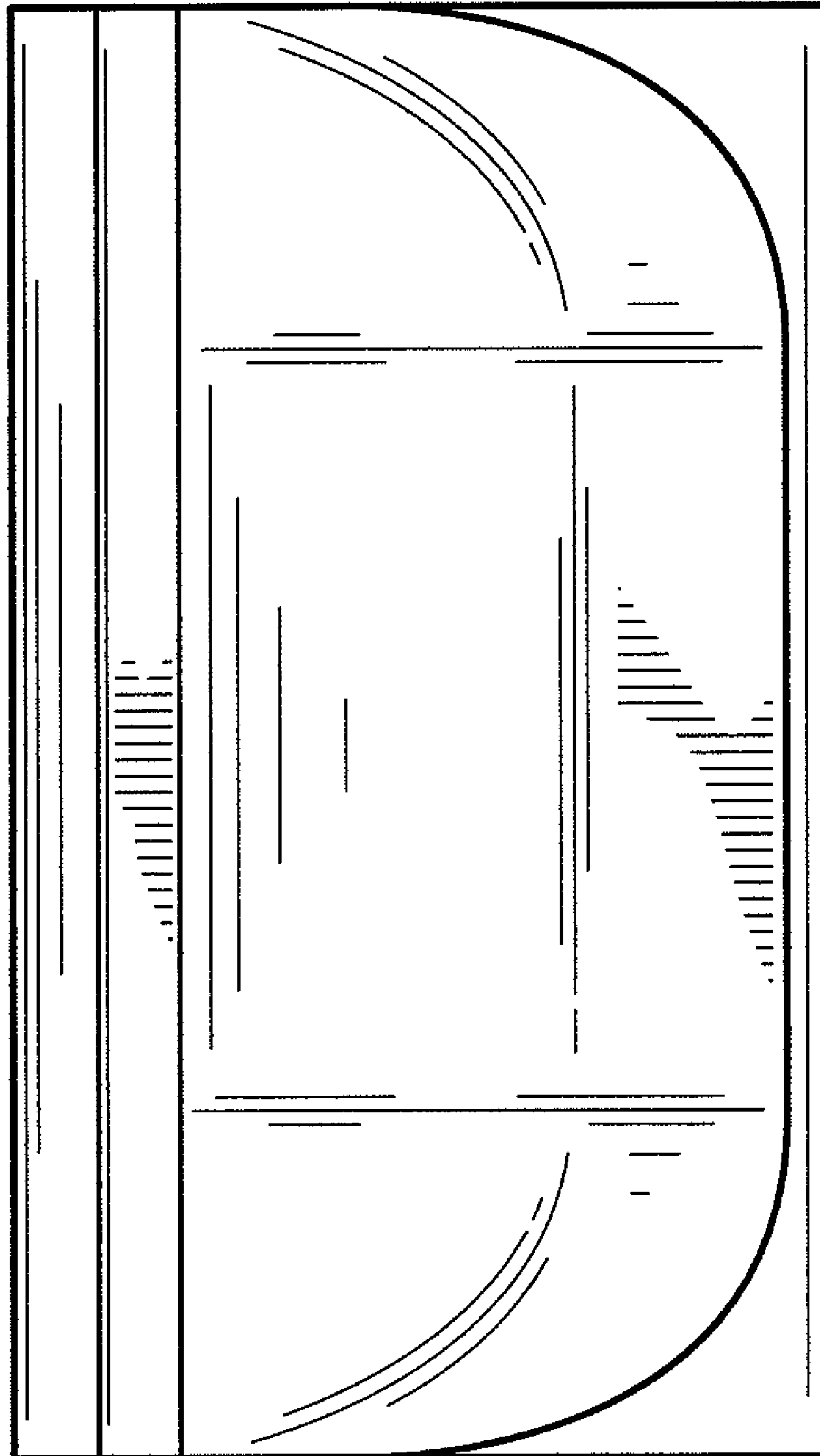


FIG. 5

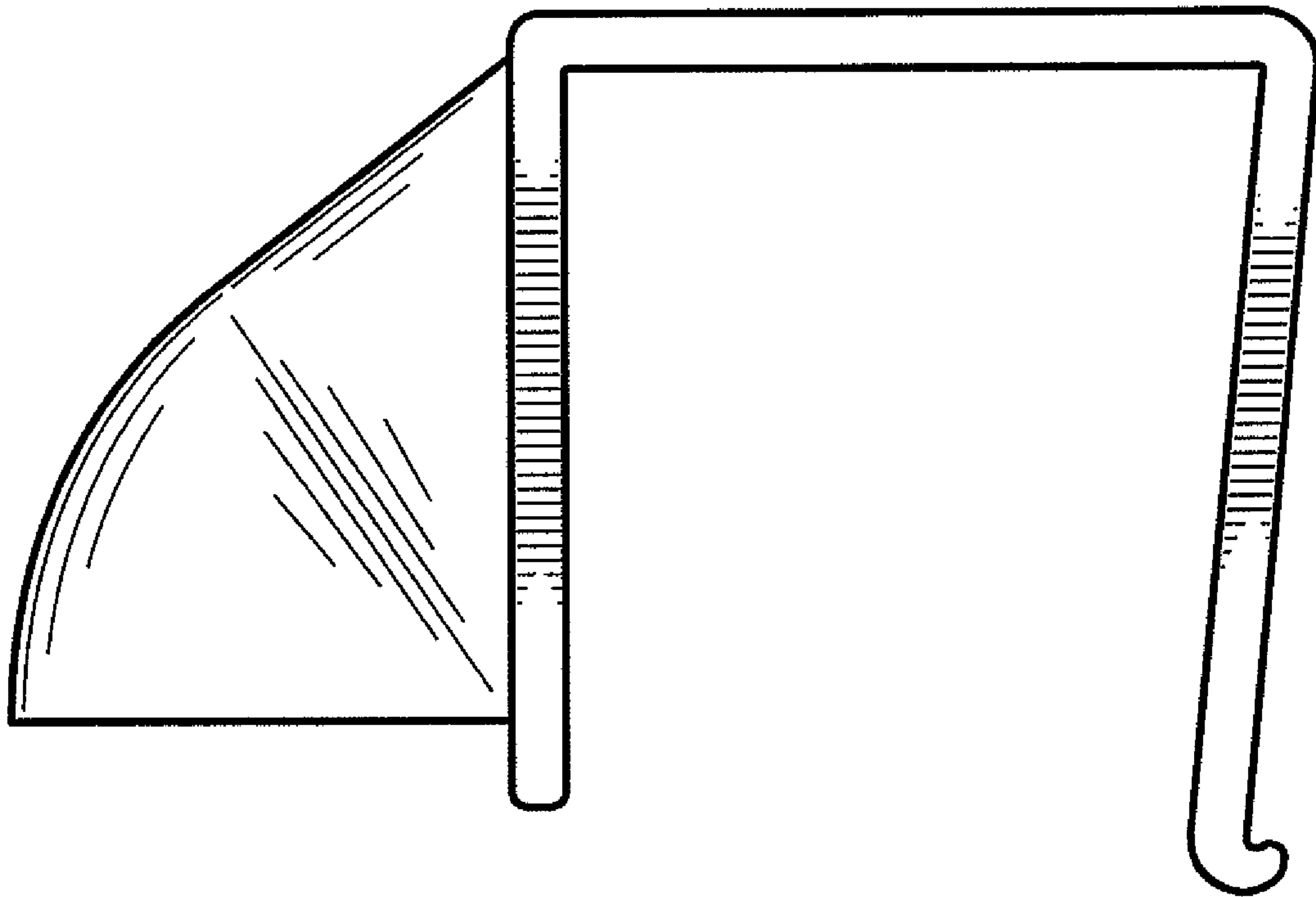


FIG. 6

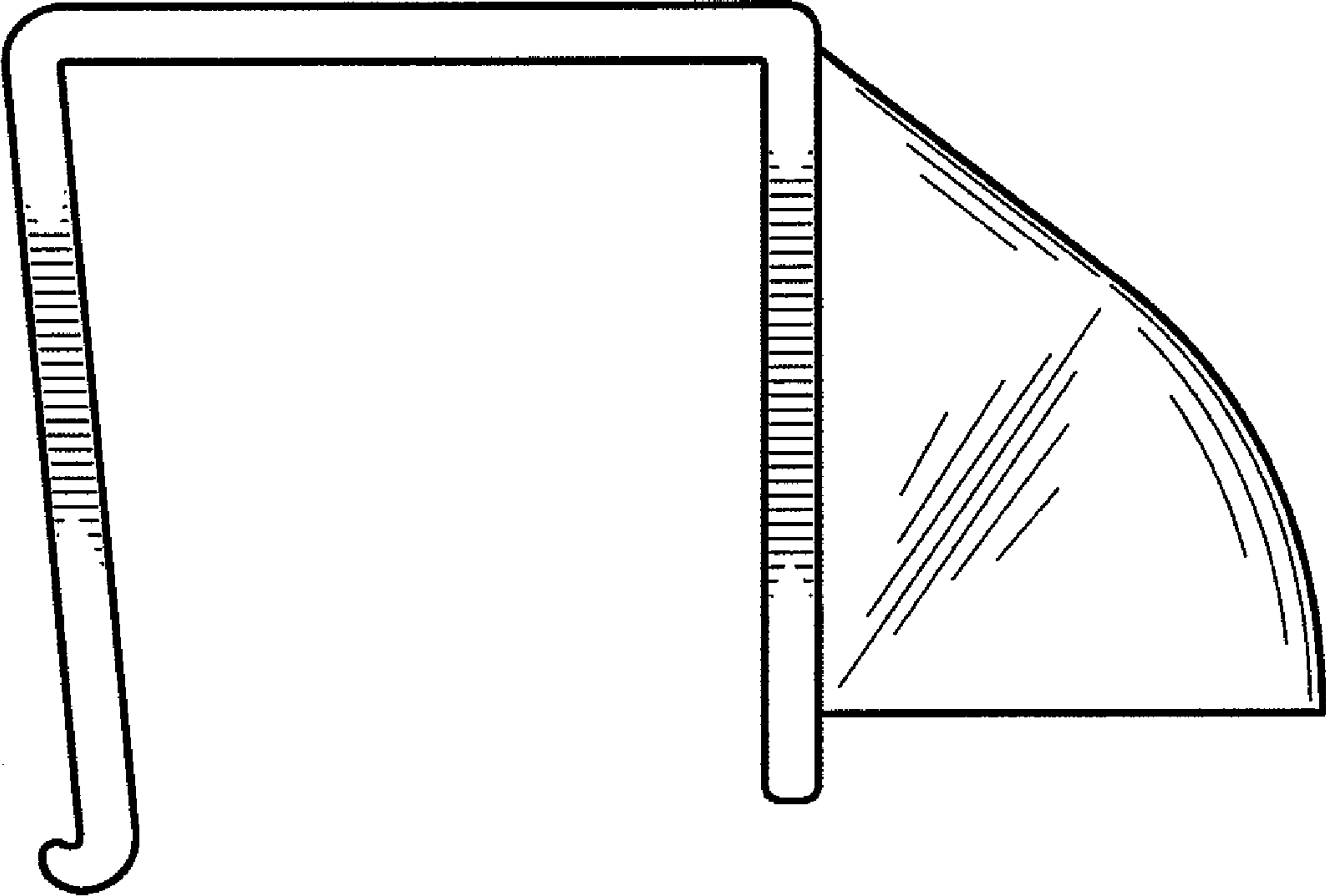


FIG. 7