



US00D580249S

(12) **United States Design Patent**
Netzler

(10) **Patent No.:** **US D580,249 S**

(45) **Date of Patent:** **** Nov. 11, 2008**

(54) **CIRCULAR SAW**

(75) Inventor: **Sion Netzler**, Abingdon, MD (US)

(73) Assignee: **Black & Decker Inc.**, Newark, DE (US)

(**) Term: **14 Years**

(21) Appl. No.: **29/292,846**

(22) Filed: **Oct. 30, 2007**

(30) **Foreign Application Priority Data**

May 2, 2007 (EM) 000716576

(51) **LOC (8) Cl.** **08-03**

(52) **U.S. Cl.** **D8/66**

(58) **Field of Classification Search** D8/69,
D8/68, 67, 66, 64, 61, 70; 83/698.41, 747,
83/166.3, 374, 373, 375, 376, 391, 377, 390,
83/388, 389; 125/13.01; 144/218

See application file for complete search history.

(56) **References Cited**

U.S. PATENT DOCUMENTS

5,010,651	A *	4/1991	Techter et al.	303/76
D329,363	S *	9/1992	Sasaki et al.	D8/66
5,327,649	A *	7/1994	Skinner	30/124
5,381,602	A *	1/1995	Matzo et al.	30/377
D378,488	S *	3/1997	Ito et al.	D8/66
5,911,482	A *	6/1999	Campbell et al.	30/390
D427,873	S *	7/2000	Inoue	D8/66
D429,133	S *	8/2000	Lui	D8/66
D475,265	S *	6/2003	Hatch et al.	D8/66
6,612,038	B2 *	9/2003	Onose et al.	30/391
D488,977	S *	4/2004	Evans	D8/66

D500,438	S *	1/2005	Andriolo	D8/66
D501,776	S *	2/2005	Wu	D8/66
D504,297	S *	4/2005	Tillman et al.	D8/66
D539,108	S *	3/2007	Roberts	D8/66
D539,626	S *	4/2007	Roberts	D8/66
D559,645	S *	1/2008	Okuda et al.	D8/66
2005/0211235	A1 *	9/2005	Governo	125/13.03

* cited by examiner

Primary Examiner—Cathron Brooks

Assistant Examiner—Austin Murphy

(74) *Attorney, Agent, or Firm*—Mehul R. Jani; Adan Ayala

(57) **CLAIM**

The ornamental design for a circular saw, as shown and described.

DESCRIPTION

FIG. 1 is a perspective view of a circular saw showing my new design.

FIG. 2 is a left side view of a circular saw according to FIG. 1.

FIG. 3 is a right side view of a circular saw according to FIG. 1.

FIG. 4 is a front view of a circular saw according to FIG. 1.

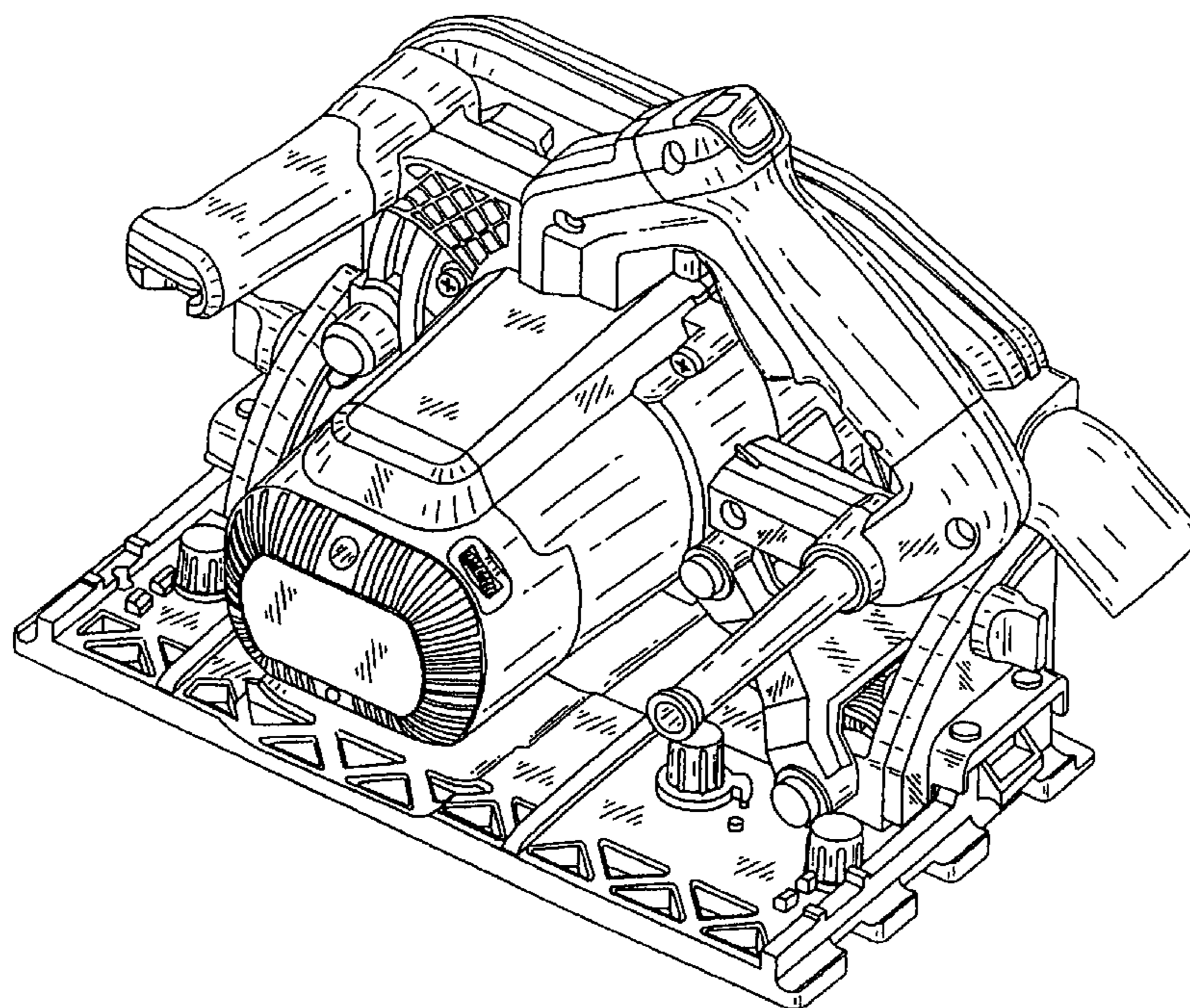
FIG. 5 is a rear view of a circular saw according to FIG. 1.

FIG. 6 is a top view of a circular saw according to FIG. 1; and,

FIG. 7 is a bottom view of a circular saw according to FIG. 1.

The broken lines shown in the drawings form no part of the claimed design.

1 Claim, 7 Drawing Sheets



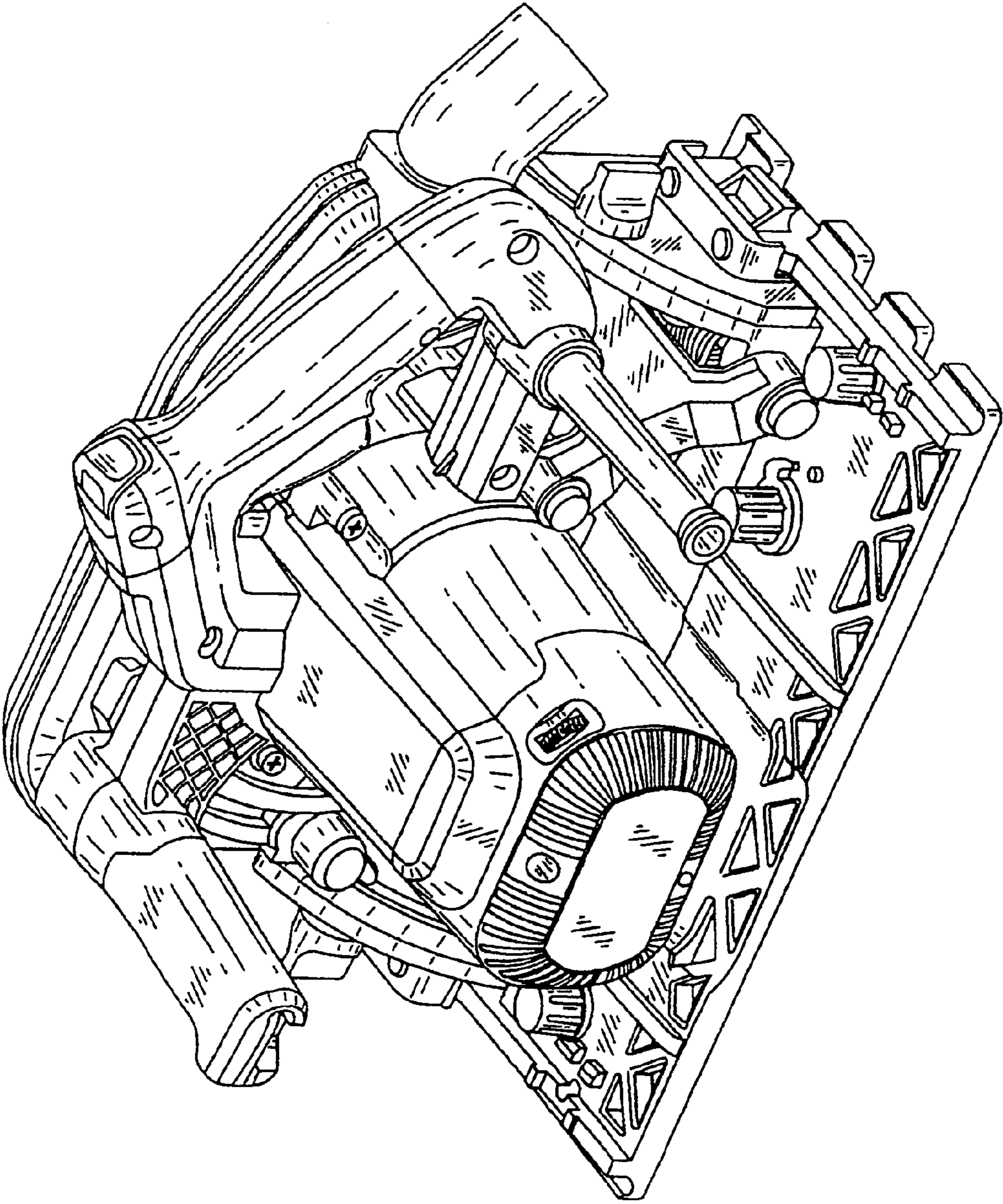


FIG. 1

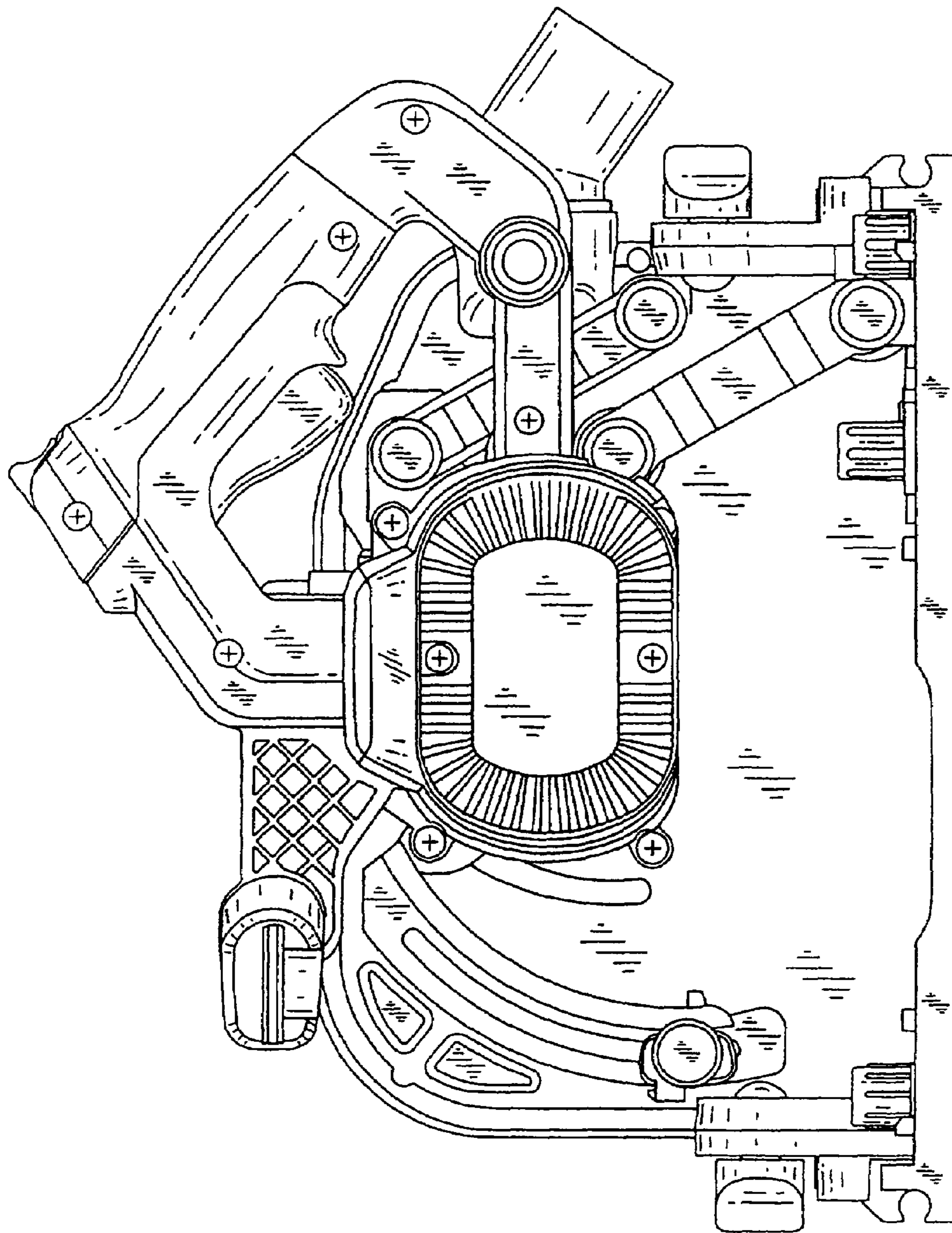


FIG. 2

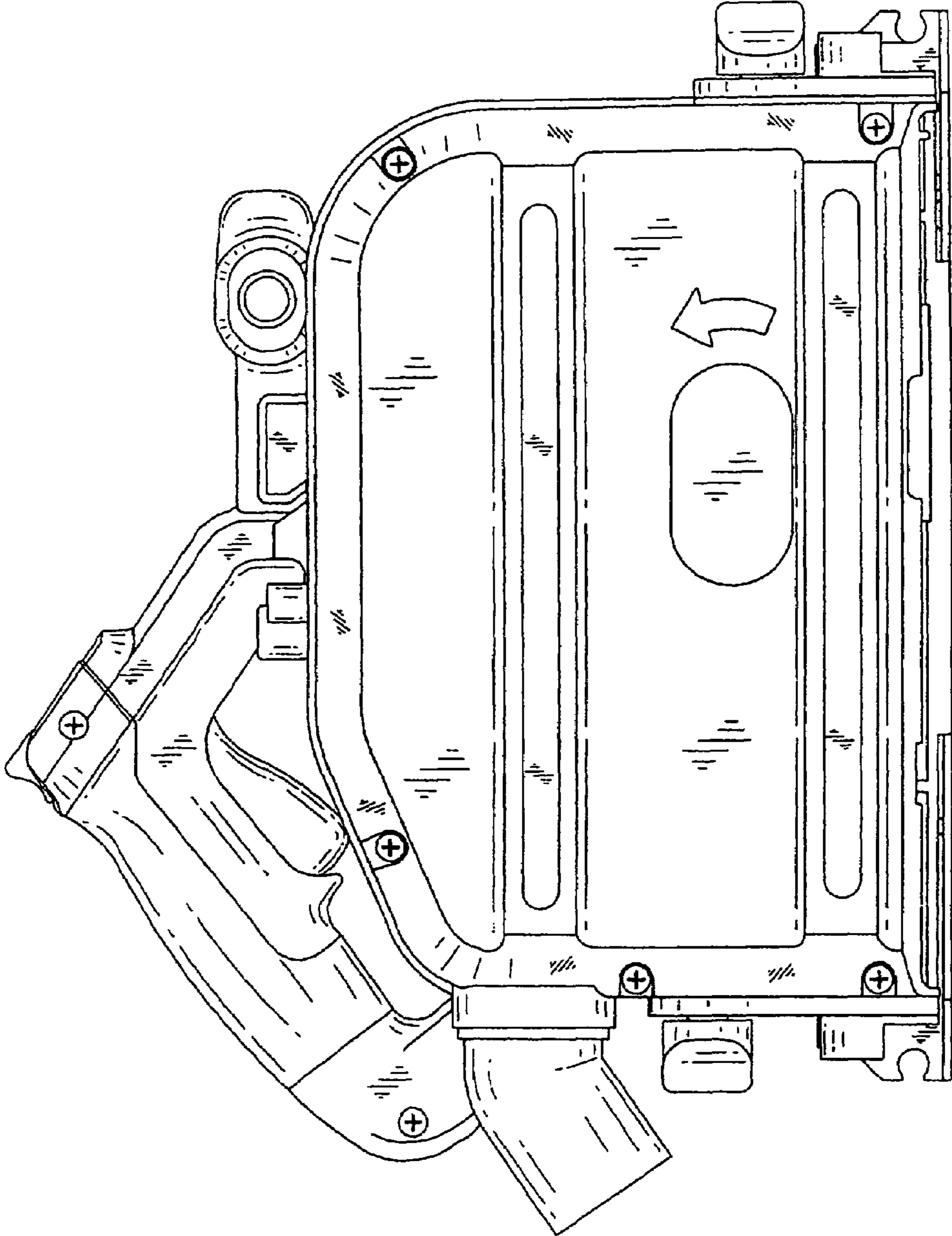


FIG. 3

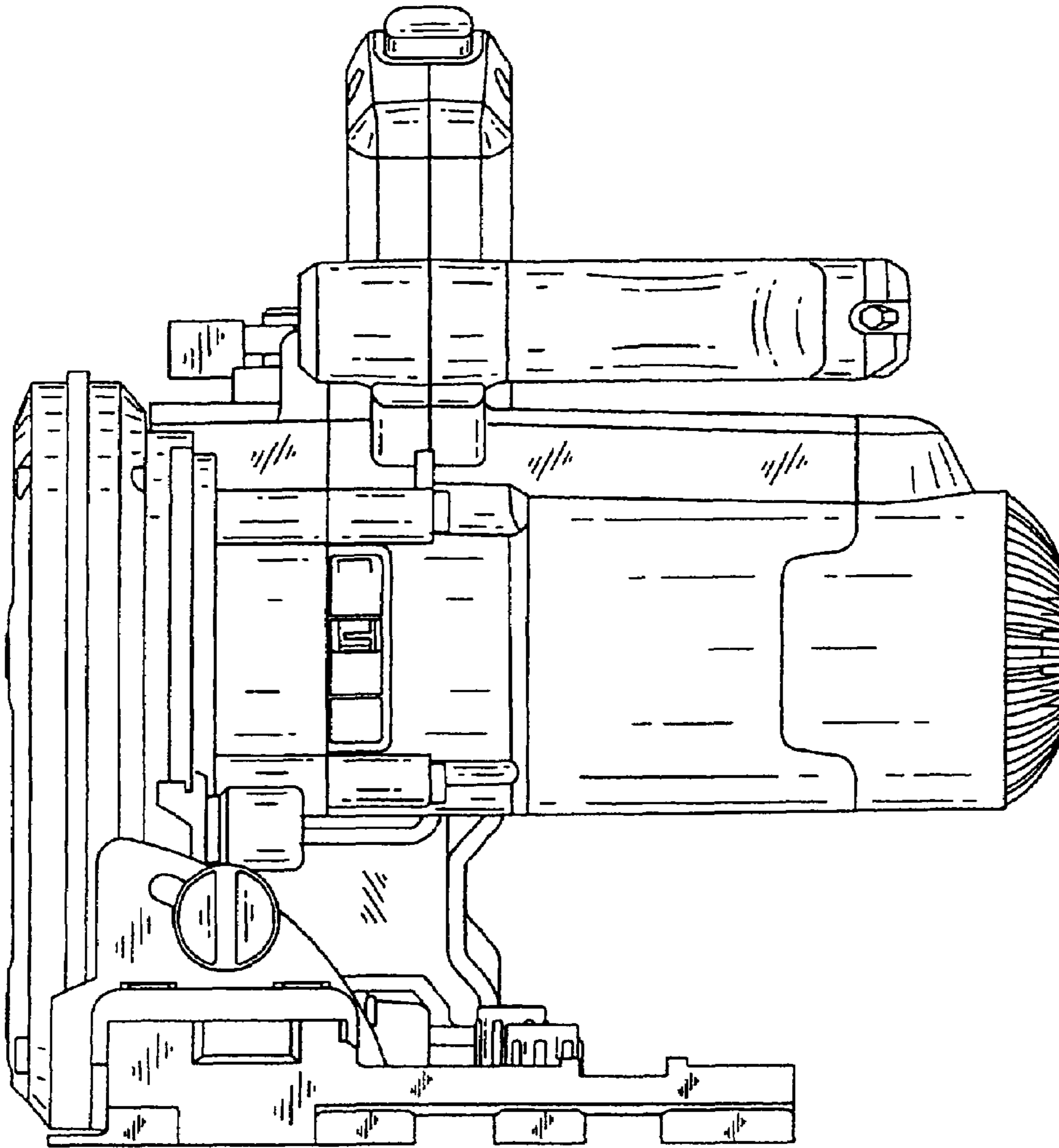


FIG. 4

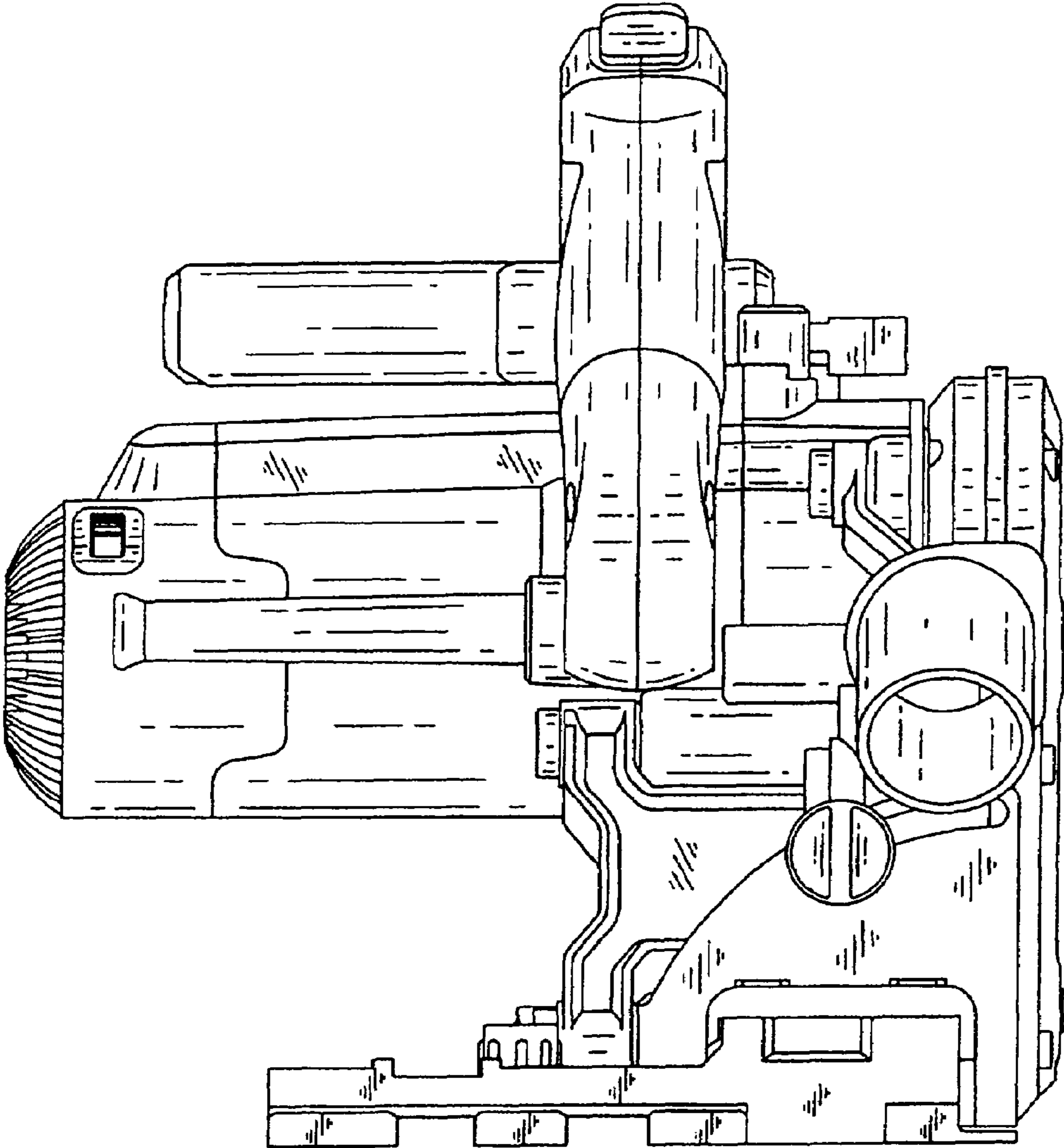


FIG. 5

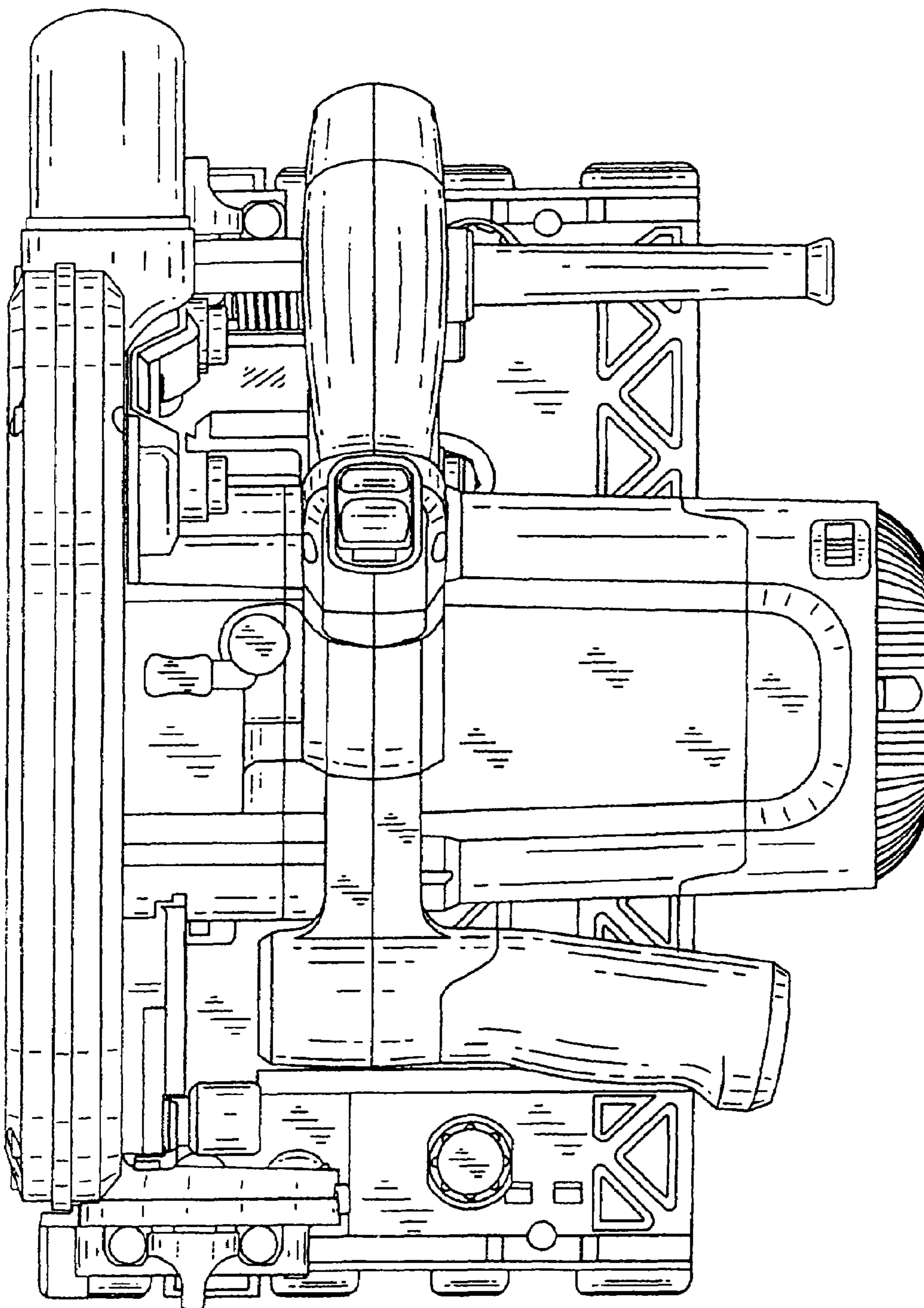


FIG. 6

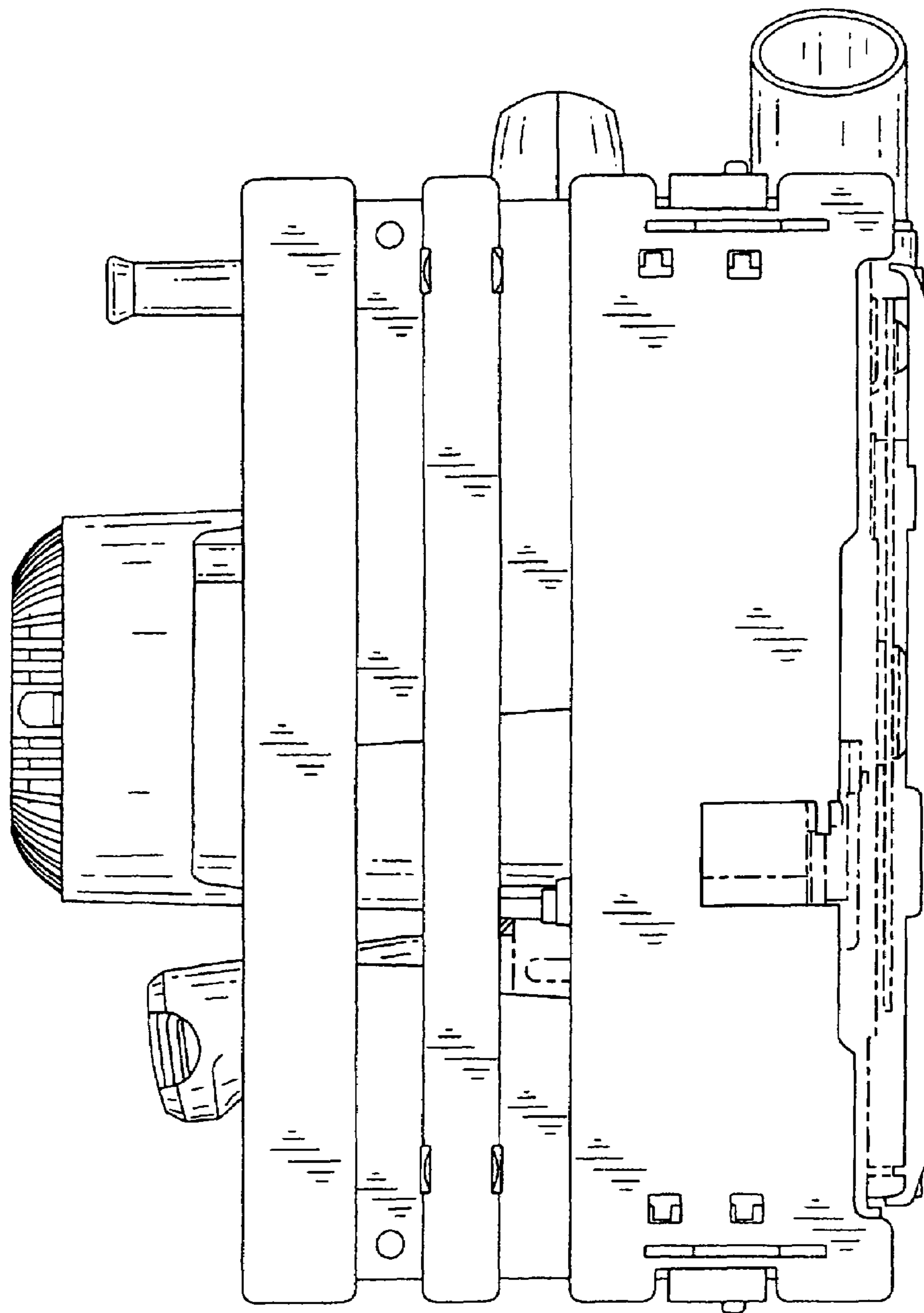


FIG. 7