



US00D580246S

(12) **United States Design Patent**
Mandel et al.

(10) **Patent No.:** **US D580,246 S**
(45) **Date of Patent:** **** Nov. 11, 2008**

(54) **STAPLER**

(75) Inventors: **Steven J. Mandel**, New York, NY (US);
Paul Metaxatos, Swampscott, MA (US);
Jesse Perreault, Cambridge, MA (US);
Eric Nichols, Cambridge, MA (US)

(73) Assignee: **Arrow Fastener Co., Inc.**, Saddle Brook, NJ (US)

(**) Term: **14 Years**

(21) Appl. No.: **29/297,853**

(22) Filed: **Nov. 20, 2007**

(51) **LOC (8) Cl.** **19-02**

(52) **U.S. Cl.** **D8/49**

(58) **Field of Classification Search** D8/49,
D8/50, 61, 68, 69; D19/72, 73, 65, 69; D21/532;
D24/145; 7/158, 160; 227/4, 5, 6, 7, 8, 120,
227/127, 128, 131, 132, 134, 144, 156, 175.1;
606/139, 143, 153, 219

See application file for complete search history.

(56) **References Cited**

U.S. PATENT DOCUMENTS

D333,601 S * 3/1993 Wingert D8/49
D360,566 S * 7/1995 Marks et al. D8/49
5,437,404 A * 8/1995 Shkolnikov 227/109
5,443,196 A * 8/1995 Burlington 227/131
5,497,932 A * 3/1996 Brewer et al. 227/132
5,605,268 A * 2/1997 Hayashi et al. 227/8

D384,258 S * 9/1997 Marks et al. D8/49
5,765,742 A * 6/1998 Marks 227/132
5,816,470 A * 10/1998 Plato et al. 227/132
D415,668 S * 10/1999 Elie D8/49
6,145,728 A * 11/2000 Marks 227/132
D466,773 S * 12/2002 Lin D8/49
D534,402 S * 1/2007 Murray D8/49

* cited by examiner

Primary Examiner—Cathron Brooks

Assistant Examiner—Austin Murphy

(74) *Attorney, Agent, or Firm*—Leon E. Redman; Lloyd D. Doigan

(57) **CLAIM**

The ornamental design for a stapler, as shown and described.

DESCRIPTION

FIG. 1 is a rear perspective view of a stapler showing our design;

FIG. 2 is a top plan view thereof;

FIG. 3 is a bottom plan view thereof;

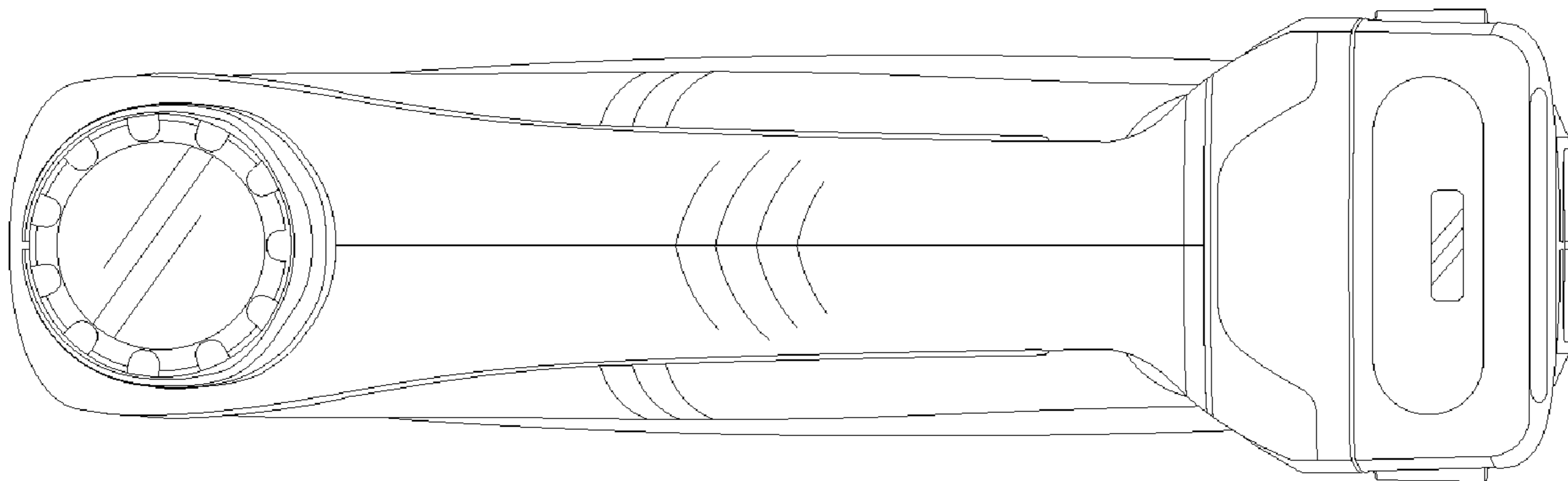
FIG. 4 is a front elevational view thereof;

FIG. 5 is a rear elevational view thereof; and,

FIG. 6 is a right side elevational view thereof; the left side elevational view being a mirror image thereof.

The broken lines in the Figures are for illustrative purposes only and form no part of the claimed design.

1 Claim, 2 Drawing Sheets



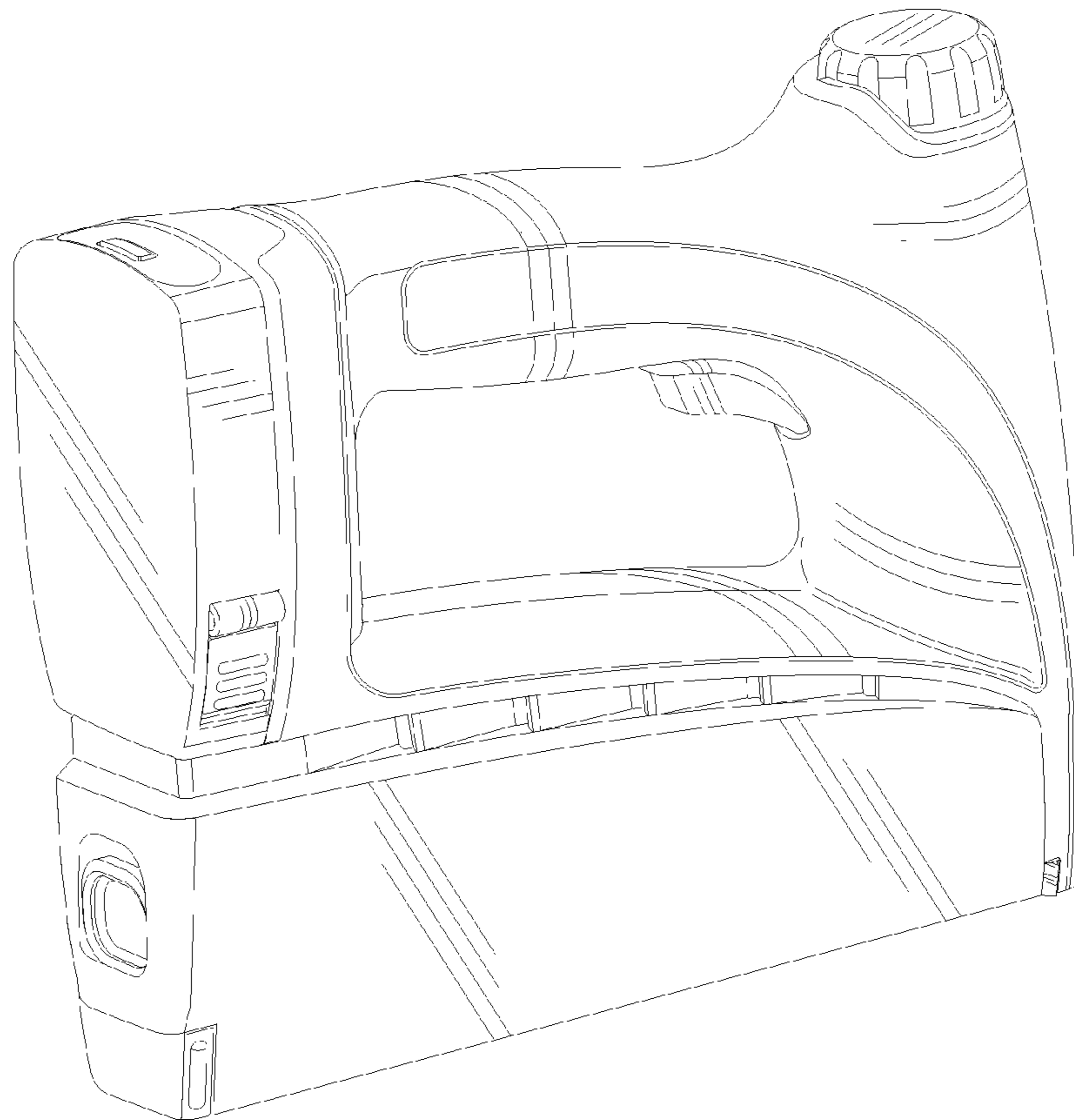


Fig-1

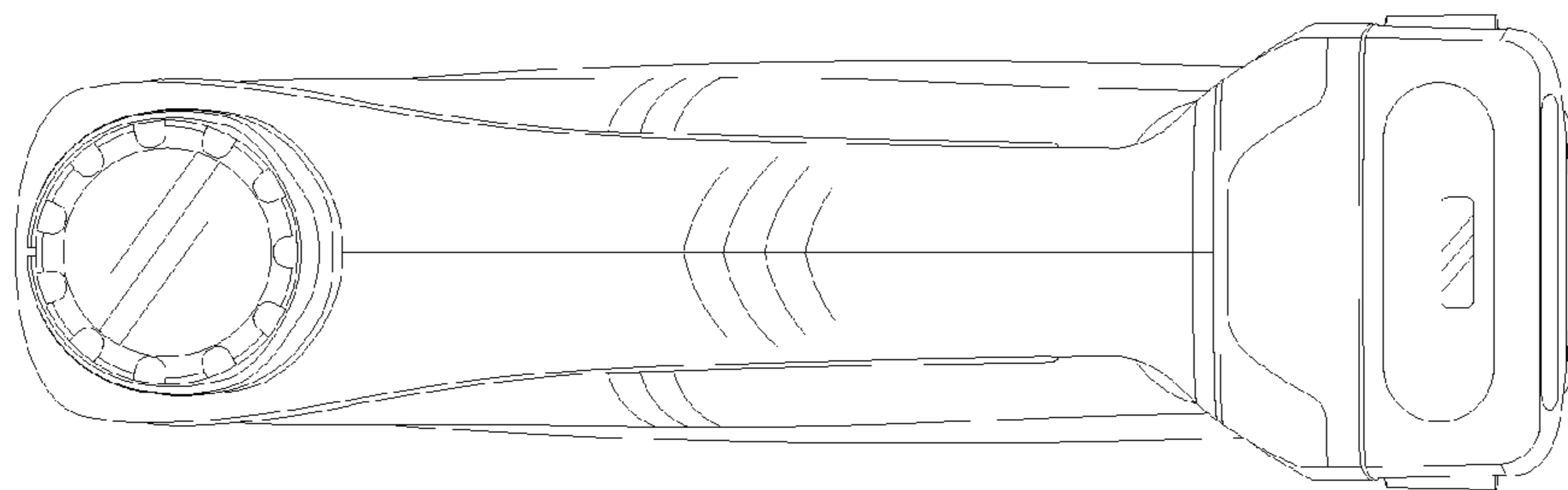


Fig-2

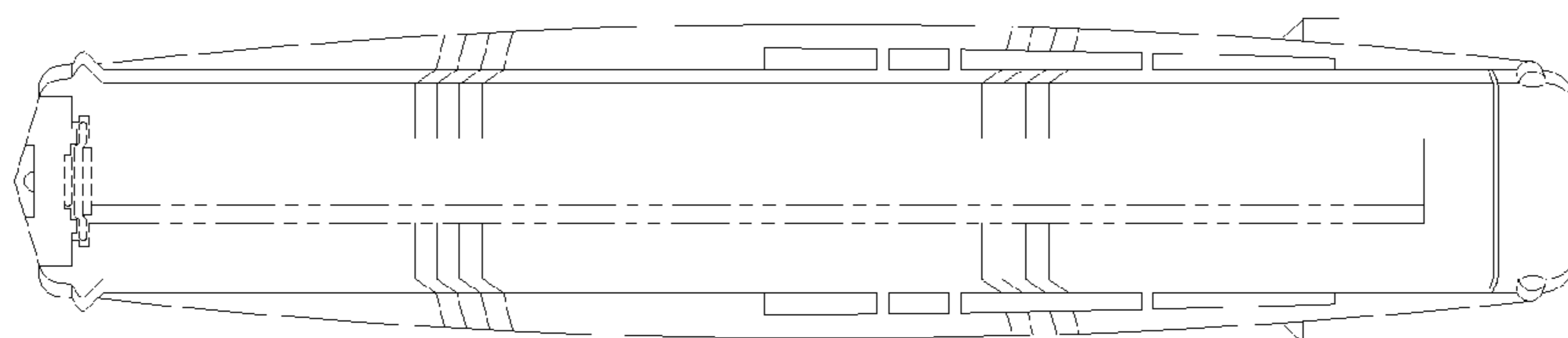


Fig-3

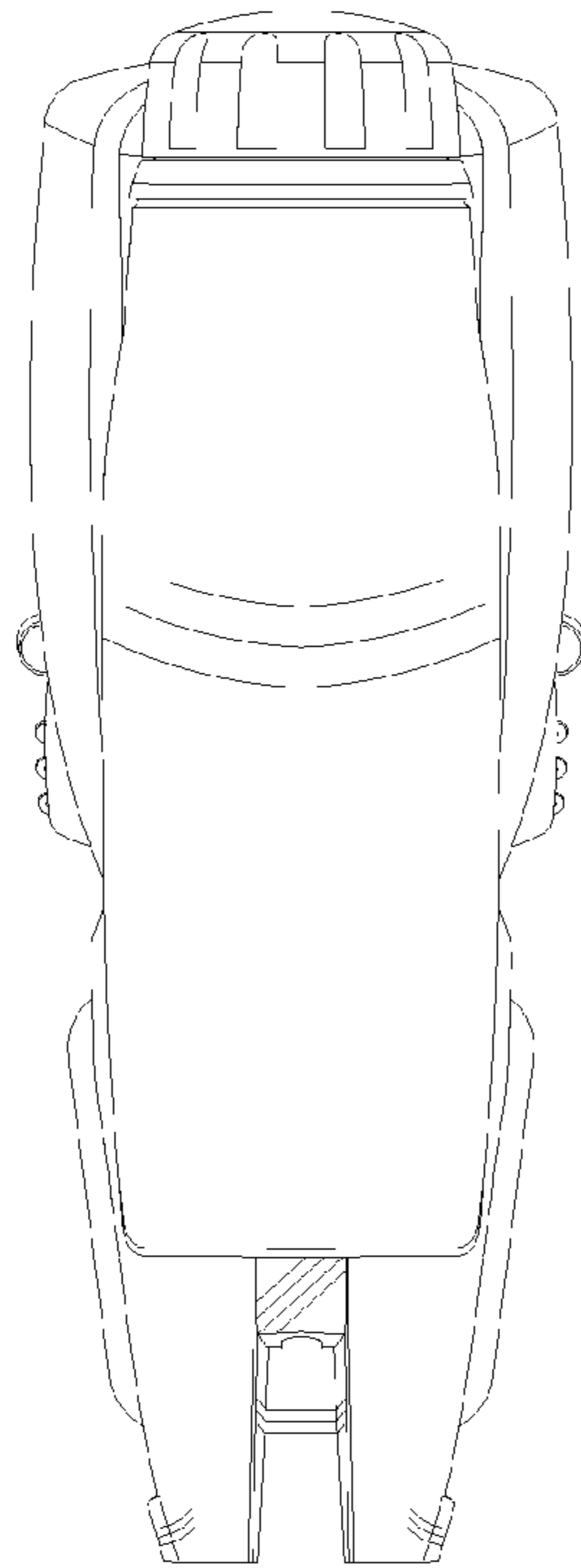


Fig-4

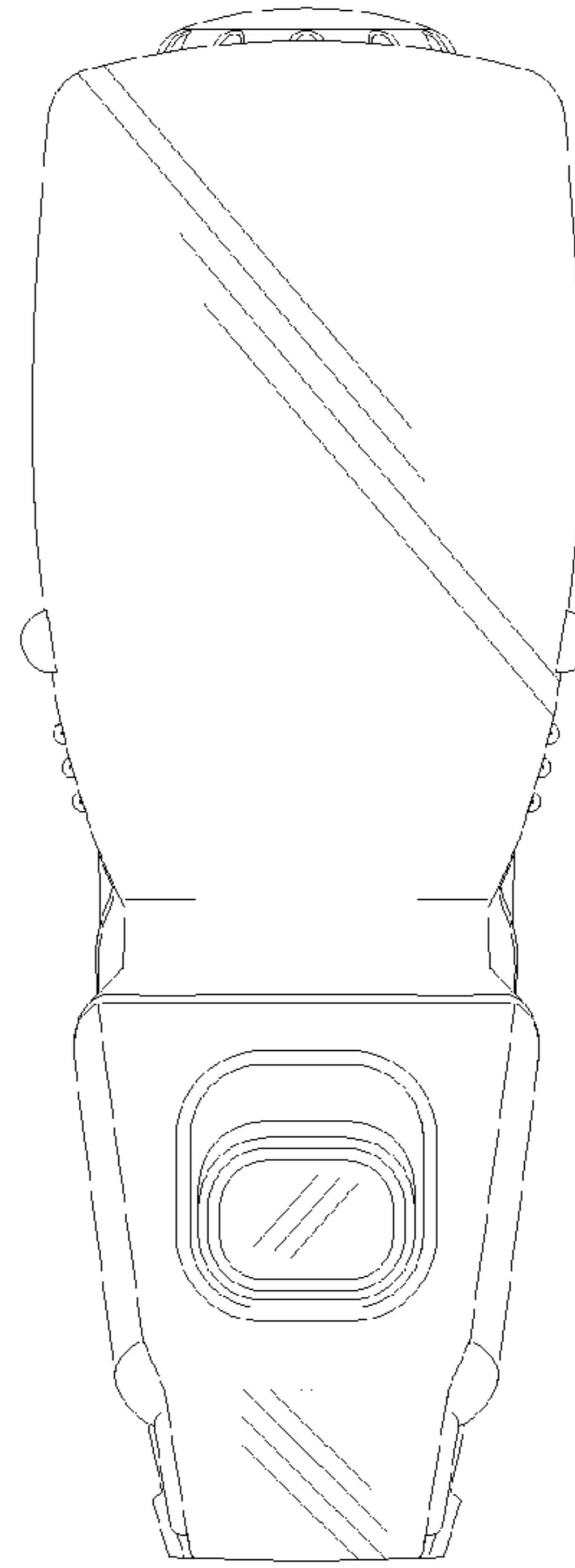


Fig-5

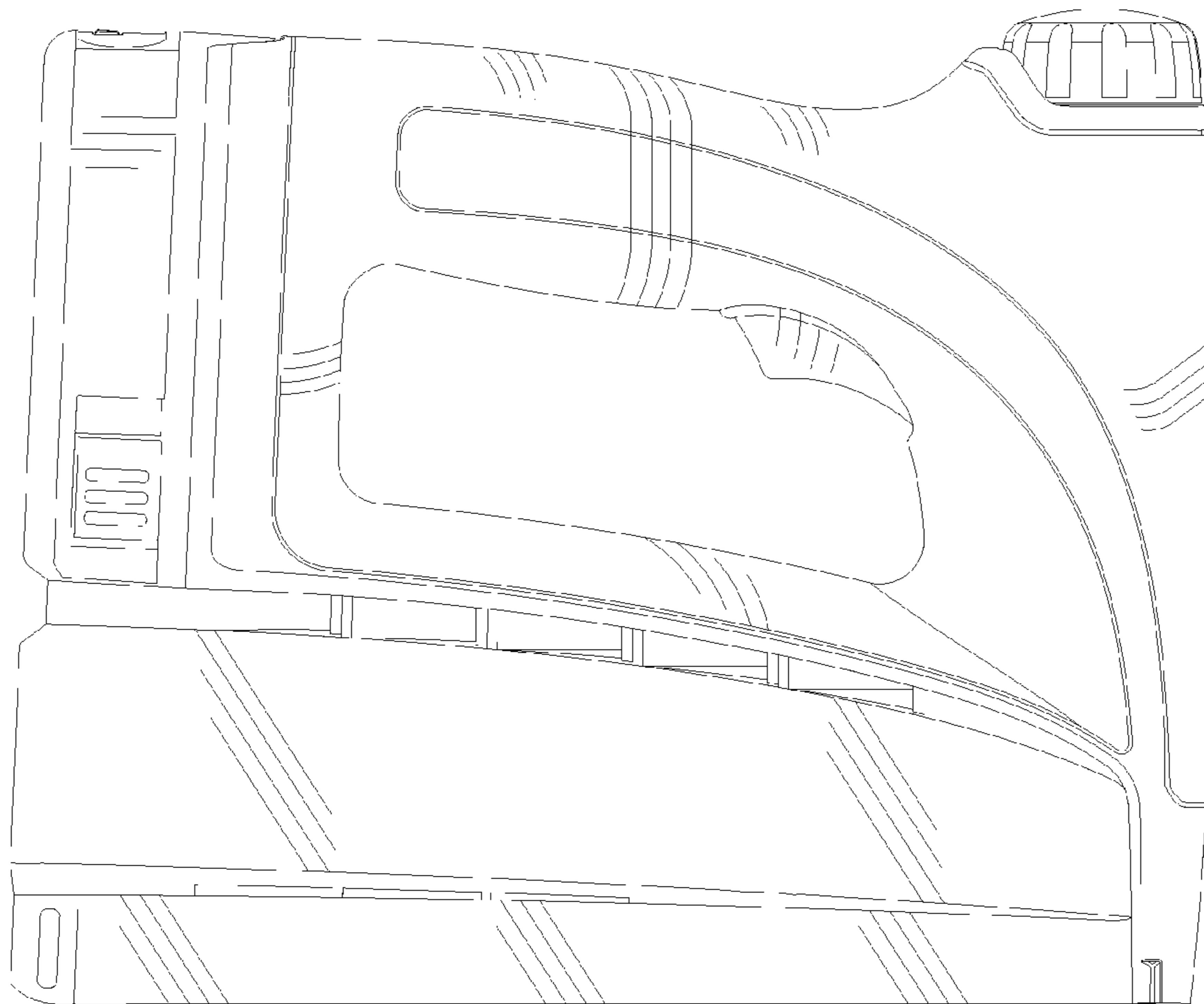


Fig-6