



US00D580243S

(12) **United States Design Patent**
Robinson

(10) **Patent No.:** **US D580,243 S**

(45) **Date of Patent:** **** Nov. 11, 2008**

(54) **ADJUSTABLE WRENCH HEAD WITH SQUARE PLUG AND ROUND BODY**

D540,644 S * 4/2007 Song D8/70

* cited by examiner

(75) Inventor: **Glenn Robinson**, Coral Springs, FL (US)

Primary Examiner—Raphael Barkai
Assistant Examiner—Randall H Gholson

(73) Assignee: **IBT Holdings, LLC**, Coral Springs, FL (US)

(74) *Attorney, Agent, or Firm*—Scott D. Paul, Esq.; Carey Rodriguez Greenberg & Paul LLP

(**) Term: **14 Years**

(57) **CLAIM**

(21) Appl. No.: **29/317,983**

The ornamental design for a adjustable wrench head with square plug and round body, as shown and described.

(22) Filed: **May 12, 2008**

DESCRIPTION

(51) **LOC (8) Cl.** **08-05**

(52) **U.S. Cl.** **D8/22**

(58) **Field of Classification Search** D8/17, D8/21–29, 52, 55, 81–87, 102–107, 98, 99, D8/93, 94; 81/119, 121.1, 86, 124.2, 125, 81/125.1, 176.1, 176.2, 177.1, 177.2, 177.3, 81/177.85, 124.3, 124.7, 176.3, 179, 160, 81/3.57, 3.55, 58.4, 186, 58.3, 300, 58.1, 81/60–63.2, 165–170, 110.1, 124.6, 176.15, 81/121.7, 436, 437, 418, 177.8, 177.9, 185.1, 81/3.4, 177.4, 492, 57, 58, 13, 177.7, 490, 81/415–423, 427.5; 140/119; 16/422, 186, 16/429

FIG. 1 is a front, left, top perspective of a adjustable wrench head with square plug and round body according to my new design.

FIG. 2 is a front, right, bottom perspective of the adjustable wrench head with square plug and round body thereof.

FIG. 3 is a front view of the adjustable wrench head with square plug and round body thereof.

FIG. 4 is a rear view of the adjustable wrench head with square plug and round body thereof.

FIG. 5 is a left-side view of the adjustable wrench head with square plug and round body thereof.

FIG. 6 is a right-side view of the adjustable wrench head with square plug and round body thereof.

FIG. 7 is a top view of the adjustable wrench head with square plug and round body thereof; and,

FIG. 8 is a bottom view of the adjustable wrench head with square plug and round body thereof.

The broken line showing of a wrench worm gear is included for the purpose of illustration and forms no part of the claimed design.

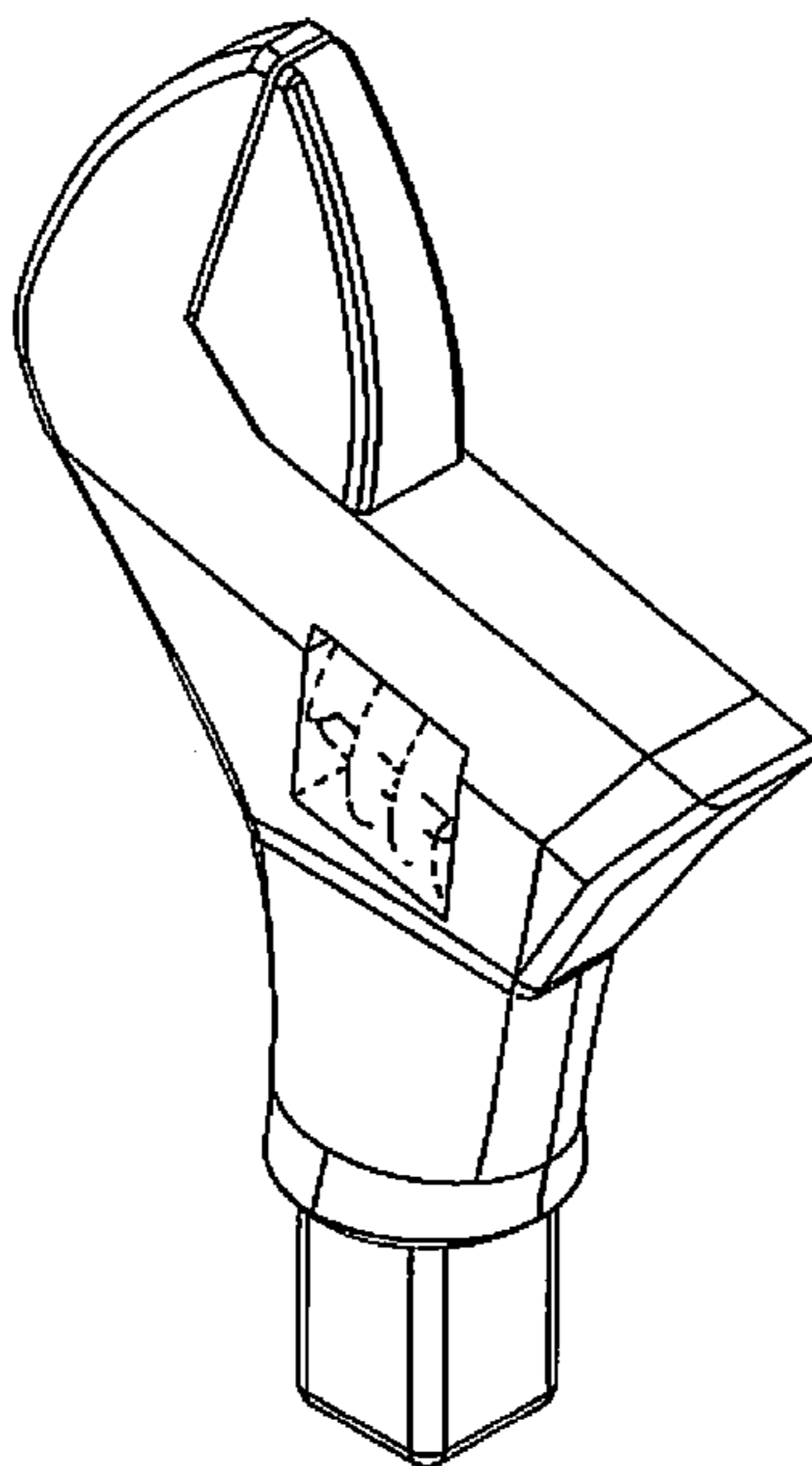
See application file for complete search history.

(56) **References Cited**

U.S. PATENT DOCUMENTS

2,913,942	A *	11/1959	Rozmus	81/165
4,512,221	A *	4/1985	Picone	81/170
D292,062	S *	9/1987	Doman et al.	D8/22
6,167,787	B1 *	1/2001	Jarvis	81/177.2
D444,044	S *	6/2001	Chen	D8/21
6,405,619	B1 *	6/2002	Lamond et al.	81/177.1
D507,163	S *	7/2005	Hsien	D8/22

1 Claim, 4 Drawing Sheets



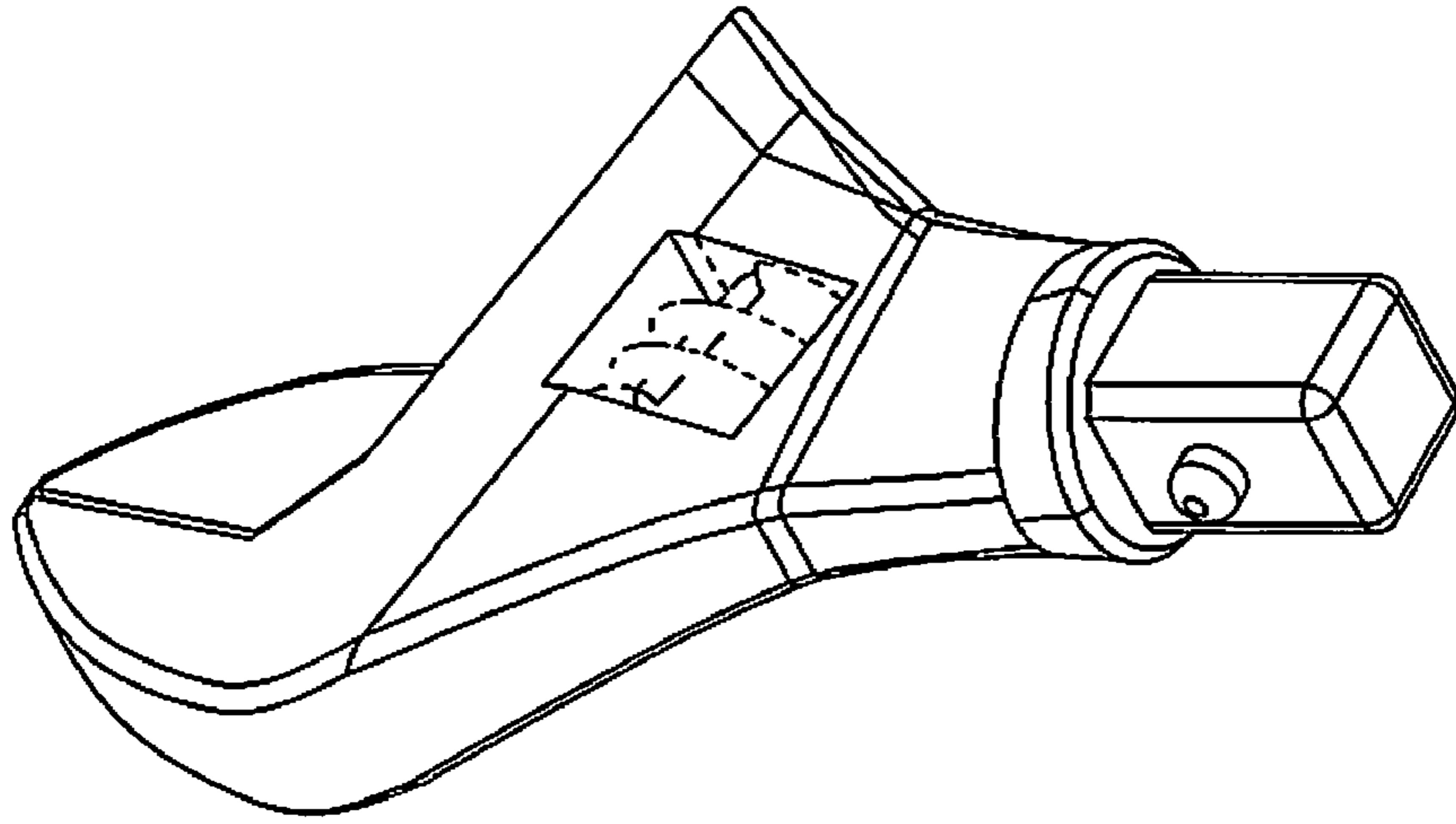


Fig 1

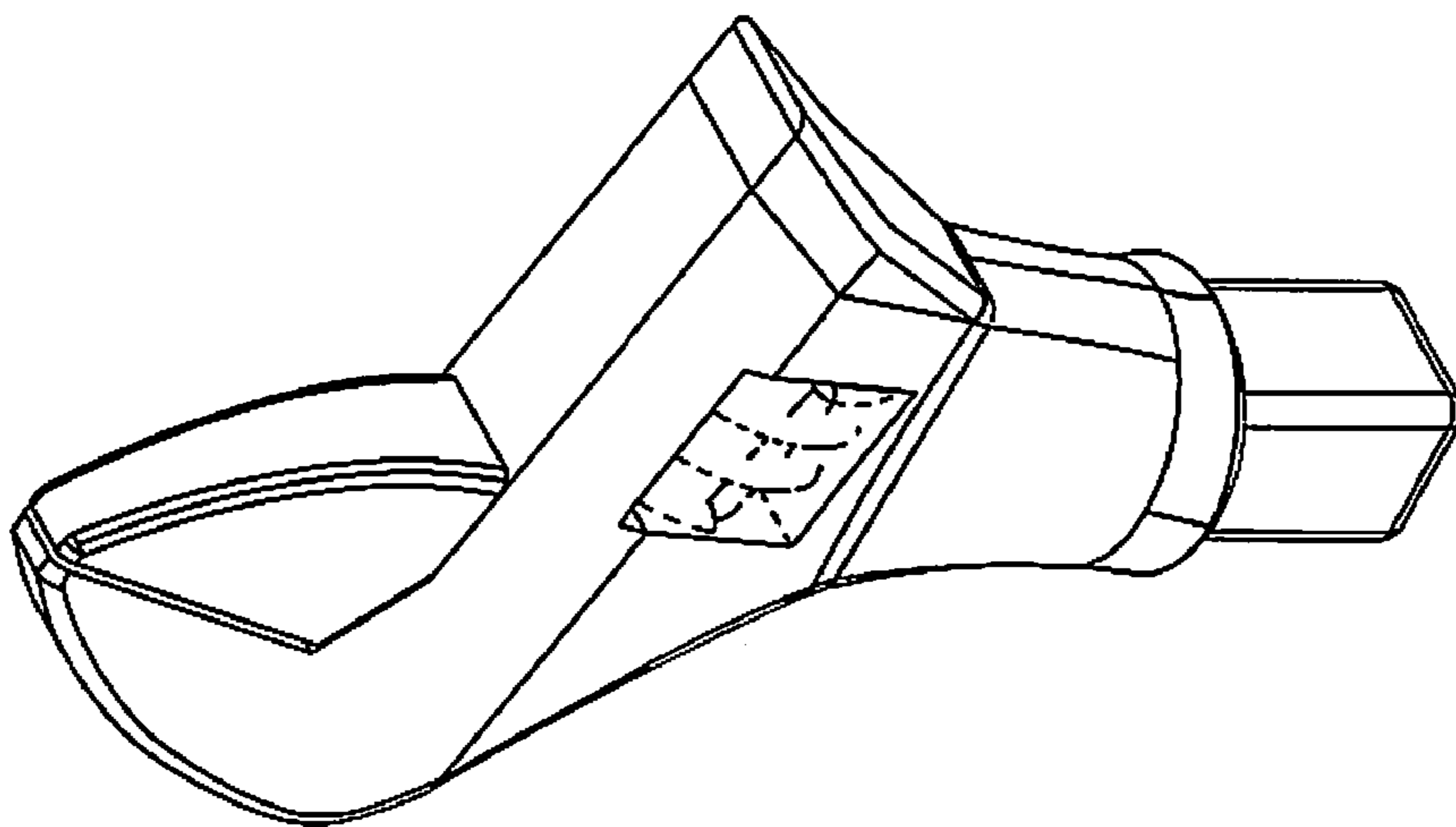


Fig 2

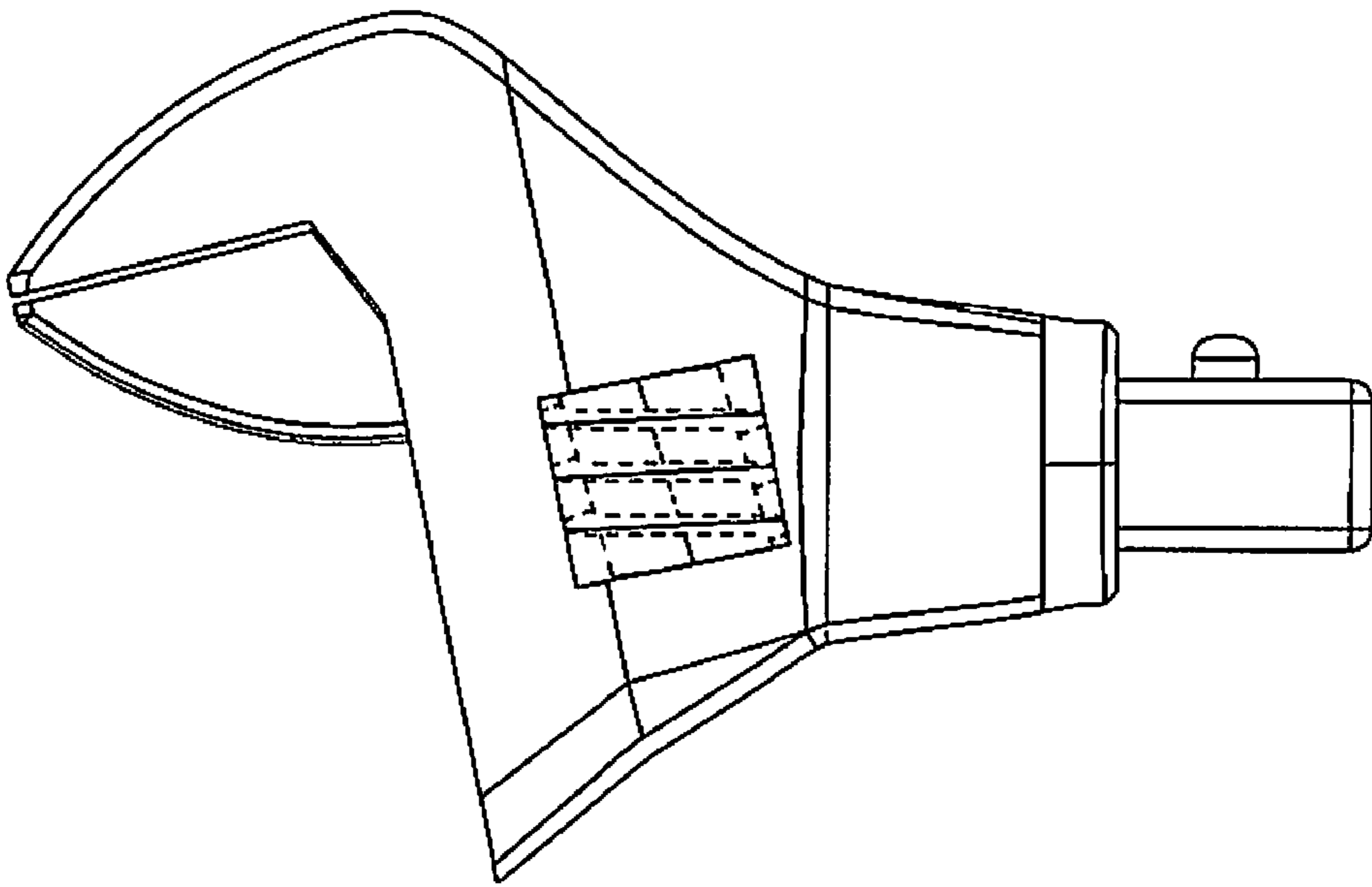


Fig 4

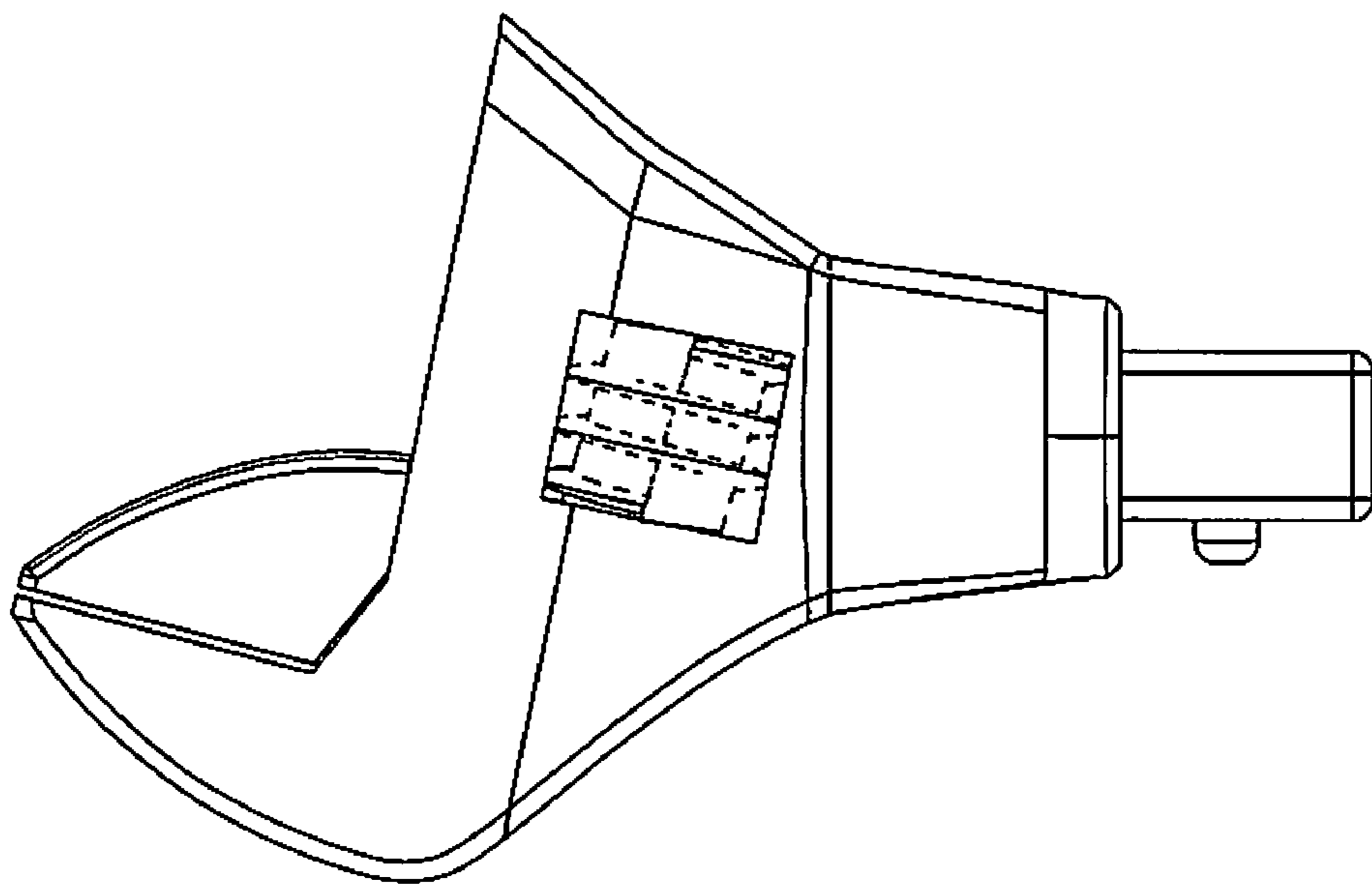


Fig 3

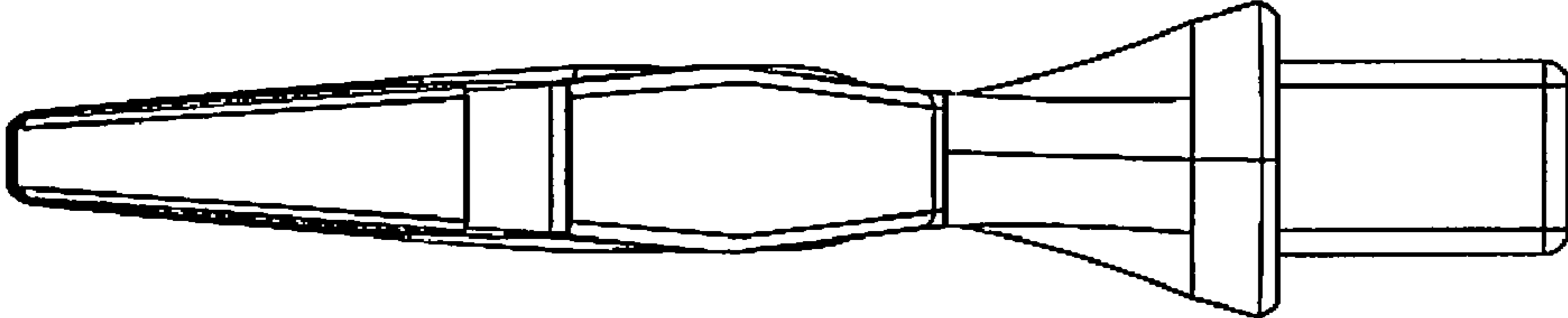


Fig 6

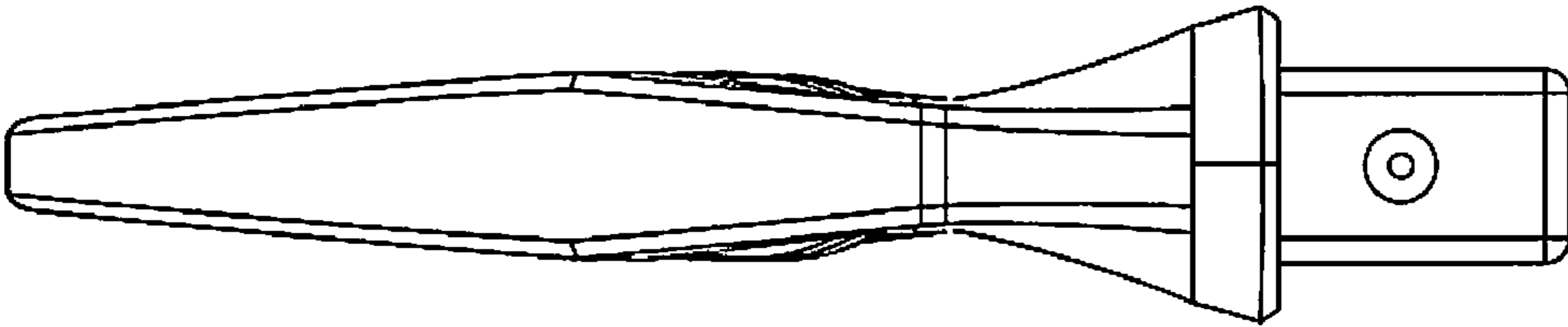


Fig 5

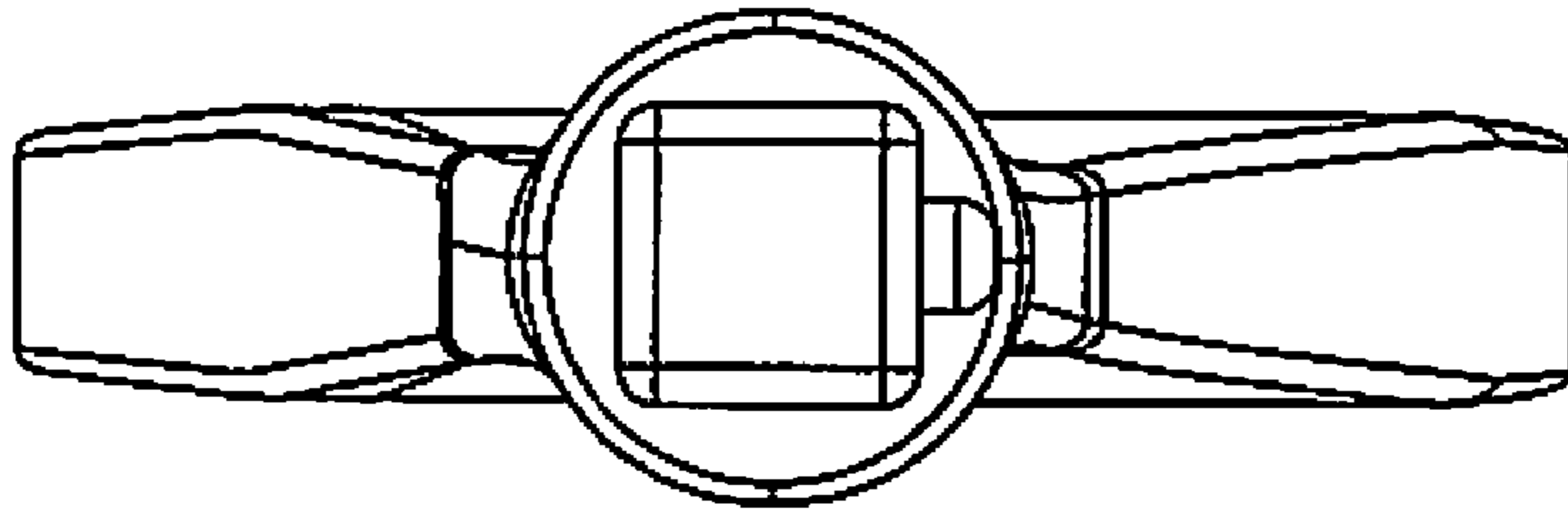


Fig 8

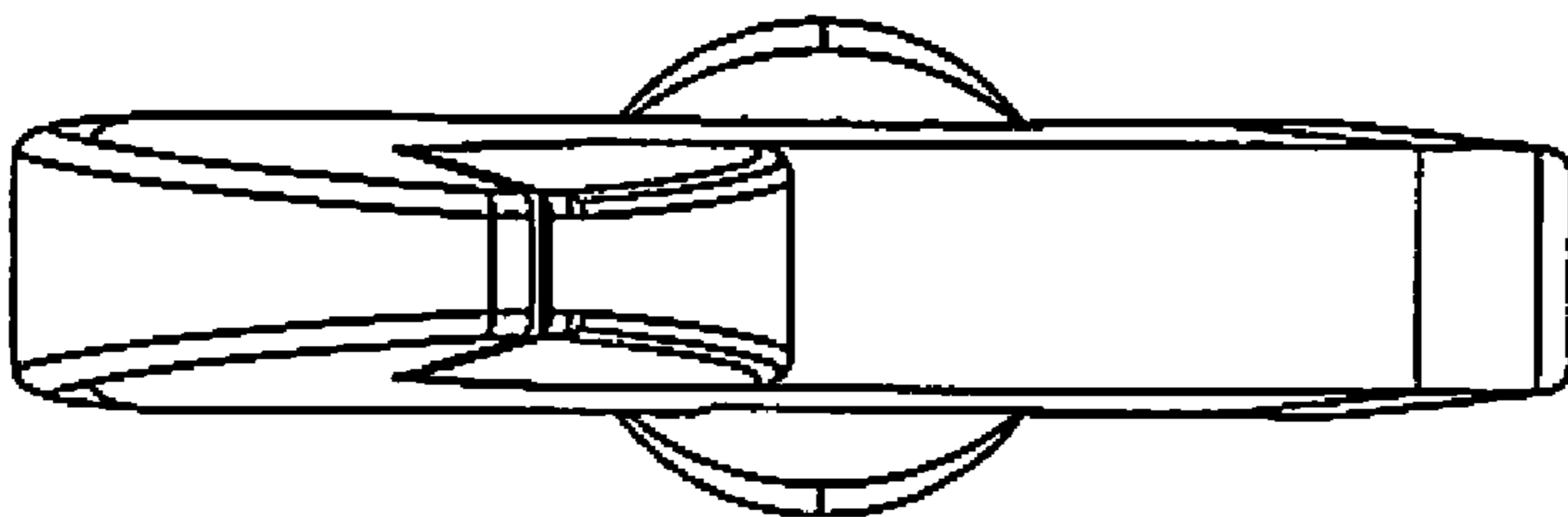


Fig 7