



US00D580242S

(12) **United States Design Patent**
Robinson

(10) **Patent No.:** **US D580,242 S**

(45) **Date of Patent:** **** Nov. 11, 2008**

(54) **ADJUSTABLE WRENCH HEAD WITH SQUARE PLUG AND SQUARE BODY**

D540,644 S * 4/2007 Song D8/70

* cited by examiner

(76) Inventor: **Glenn Robinson**, 5878 NW. 125th Ave.,
Coral Springs, FL (US) 33076

Primary Examiner—Raphael Barkai

Assistant Examiner—Randall H Gholson

(74) *Attorney, Agent, or Firm*—Scott D. Paul, Esq.; Carey
Rodriguez Greenberg & Paul LLP

(**) Term: **14 Years**

(21) Appl. No.: **29/317,982**

(57) **CLAIM**

(22) Filed: **May 12, 2008**

The ornamental design for a adjustable wrench head with square plug and square body, as shown and described.

(51) **LOC (8) Cl.** **08-05**

(52) **U.S. Cl.** **D8/22**

(58) **Field of Classification Search** D8/17,
D8/21–29, 105, 52, 55, 81–87, 102–107,
D8/98, 99, 93, 94; 81/119, 121.1, 86, 124.2,
81/125, 125.1, 176.1, 176.2, 177.1, 177.2,
81/177.3, 177.85, 124.3, 124.7, 176.3, 179,
81/160, 3.57, 3.55, 186, 58.3, 300, 58.1,
81/60–63.2, 165–170, 110.1, 124.6, 176.15,
81/58.4, 121.7, 436, 437, 418, 177.8, 177.9,
81/185.1, 3.4, 177.4, 492, 57, 58, 13, 177.7,
81/490, 415–423, 427.5; 140/119; 16/422,
16/186, 429

See application file for complete search history.

DESCRIPTION

FIG. 1 is a rear, left, top perspective of a adjustable wrench head with square plug and square body according to my new design.

FIG. 2 is a front, right, bottom perspective of the adjustable wrench head with square plug and square body thereof.

FIG. 3 is a front view of the adjustable wrench head with square plug and square body thereof.

FIG. 4 is a rear view of the adjustable wrench head with square plug and square body thereof.

FIG. 5 is a left-side view of the adjustable wrench head with square plug and square body thereof.

FIG. 6 is a right-side view of the adjustable wrench head with square plug and square body thereof.

FIG. 7 is a top view of the adjustable wrench head with square plug and square body thereof; and,

FIG. 8 is a bottom view of the adjustable wrench head with square plug and square body thereof.

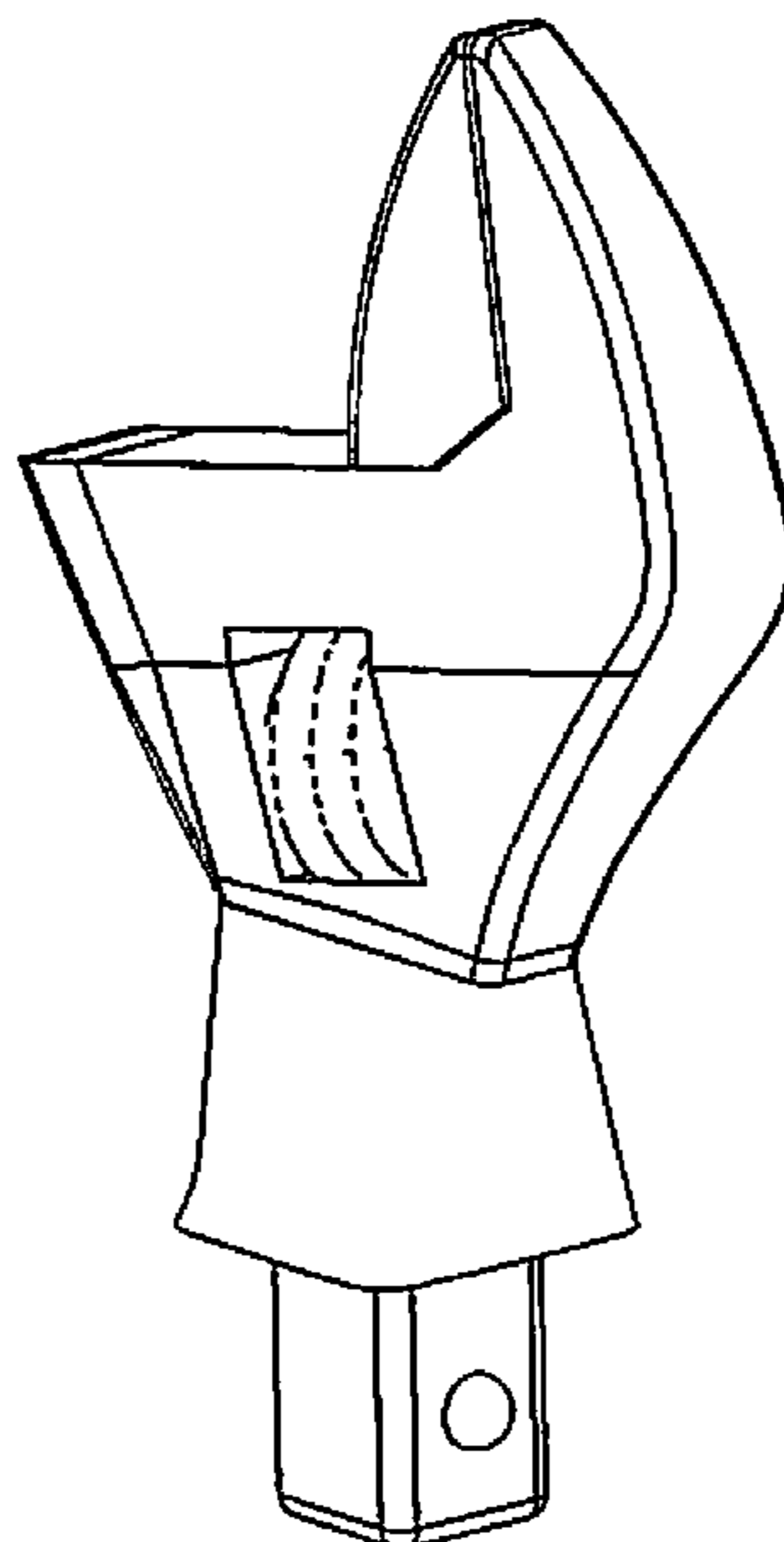
The broken line showing of a wrench worm gear is included for the purpose of illustration and forms no part of the claimed design.

(56) **References Cited**

U.S. PATENT DOCUMENTS

2,913,942	A *	11/1959	Rozmus	81/165
4,512,221	A *	4/1985	Picone	81/170
D292,062	S *	9/1987	Doman et al.	D8/22
6,167,787	B1 *	1/2001	Jarvis	81/177.2
D444,044	S *	6/2001	Chen	D8/21
6,405,619	B1 *	6/2002	Lamond et al.	81/177.1
D507,163	S *	7/2005	Hsien	D8/22

1 Claim, 4 Drawing Sheets



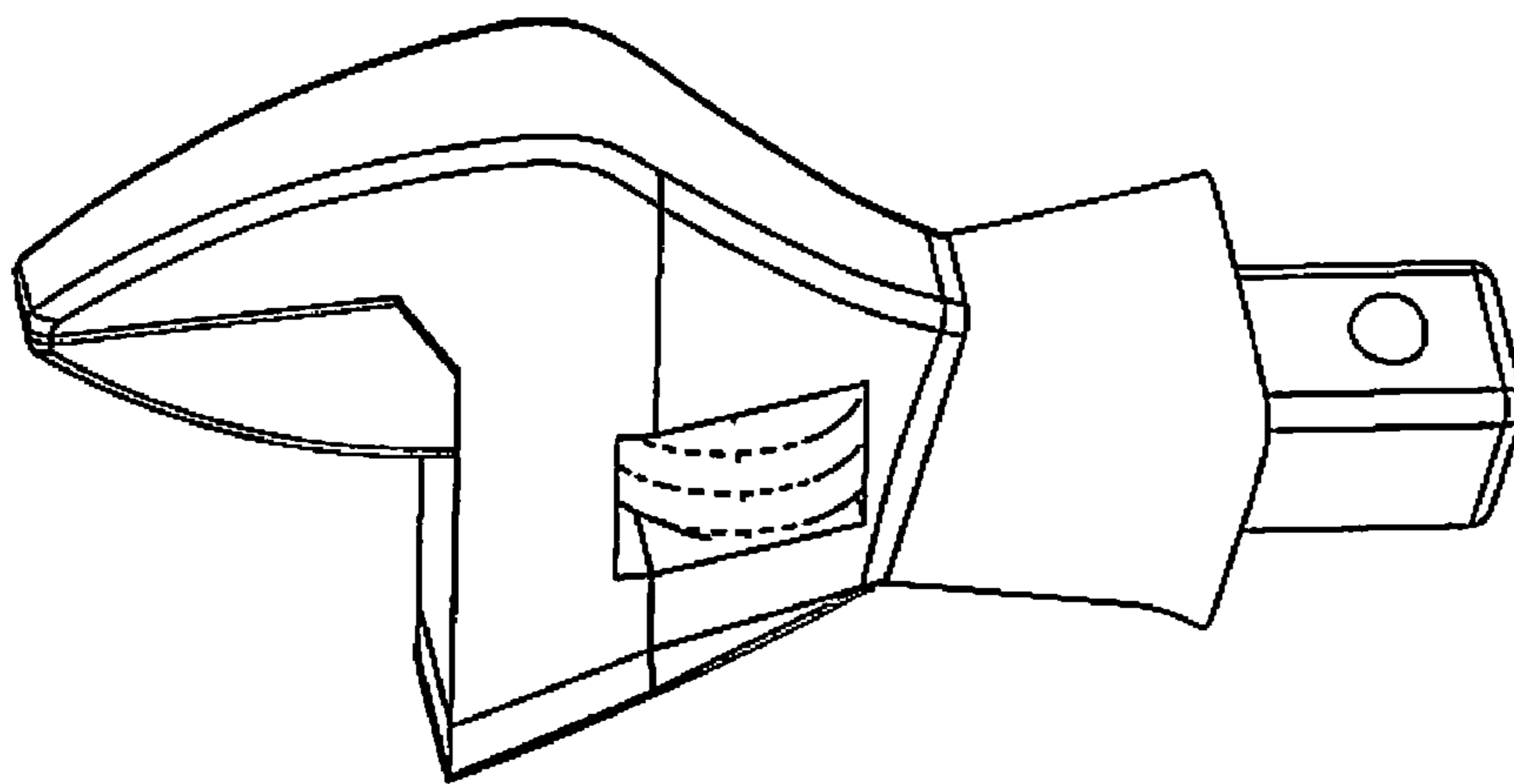


Fig 1

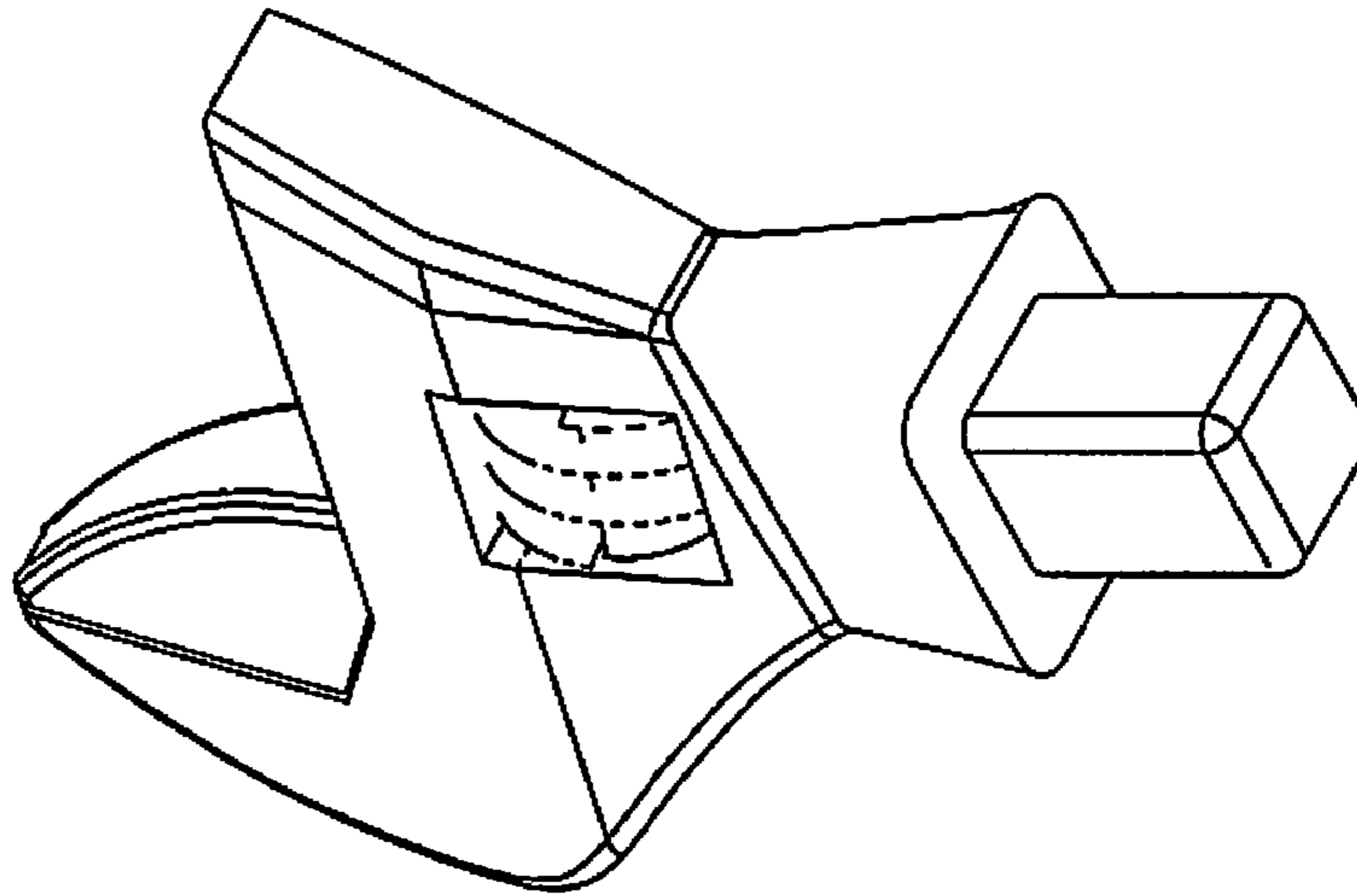


Fig 2

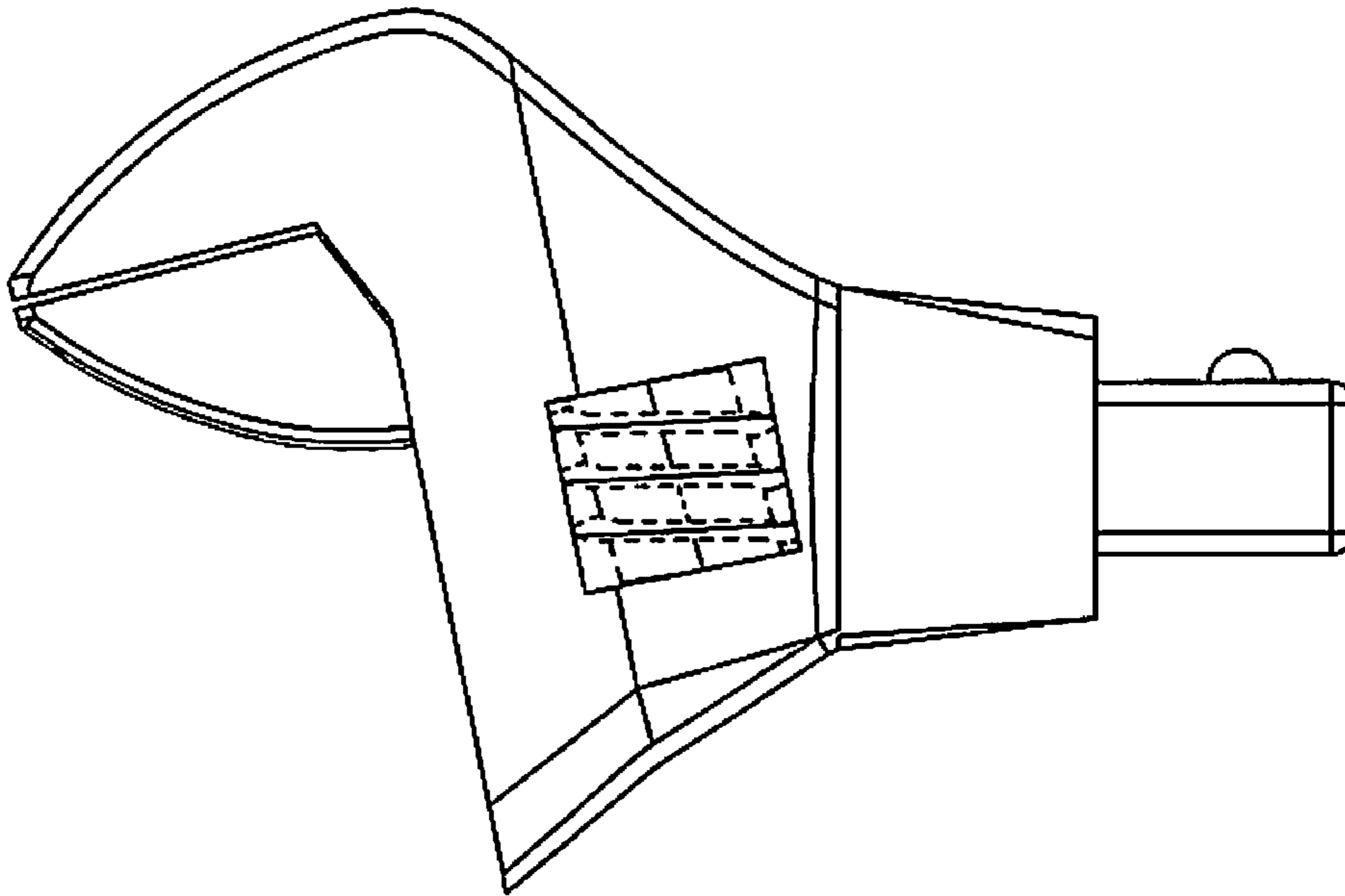


Fig 4

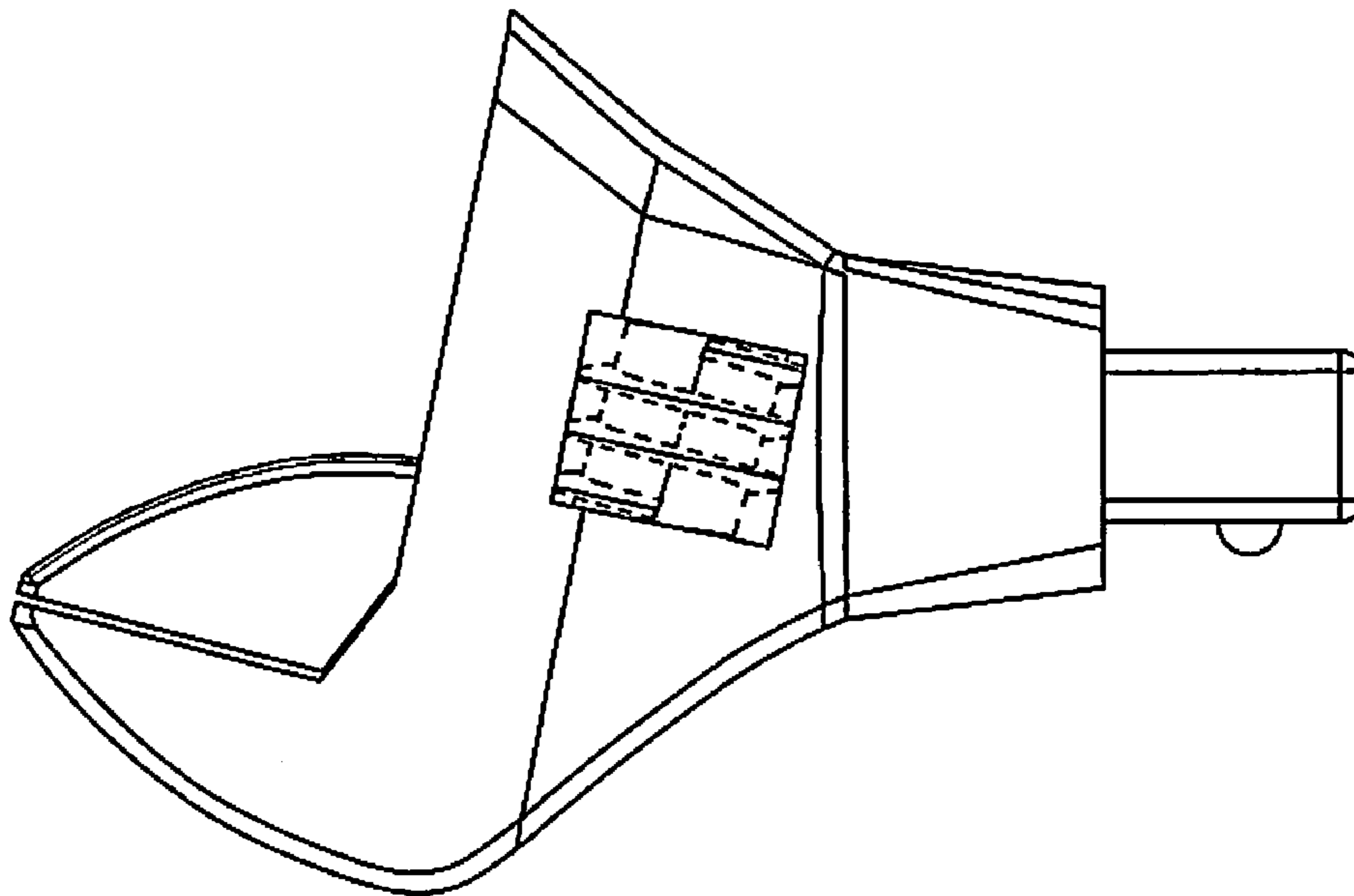


Fig 3

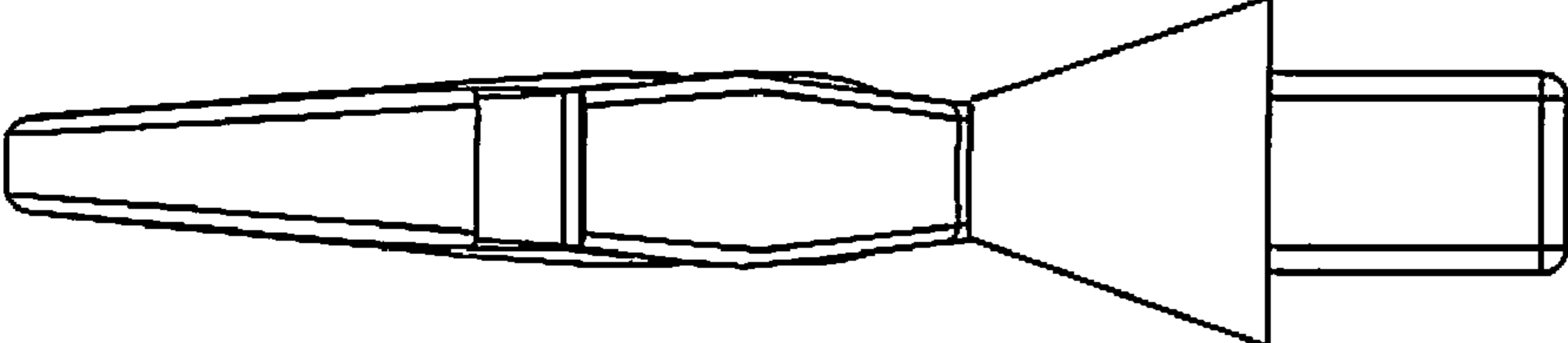


Fig 6

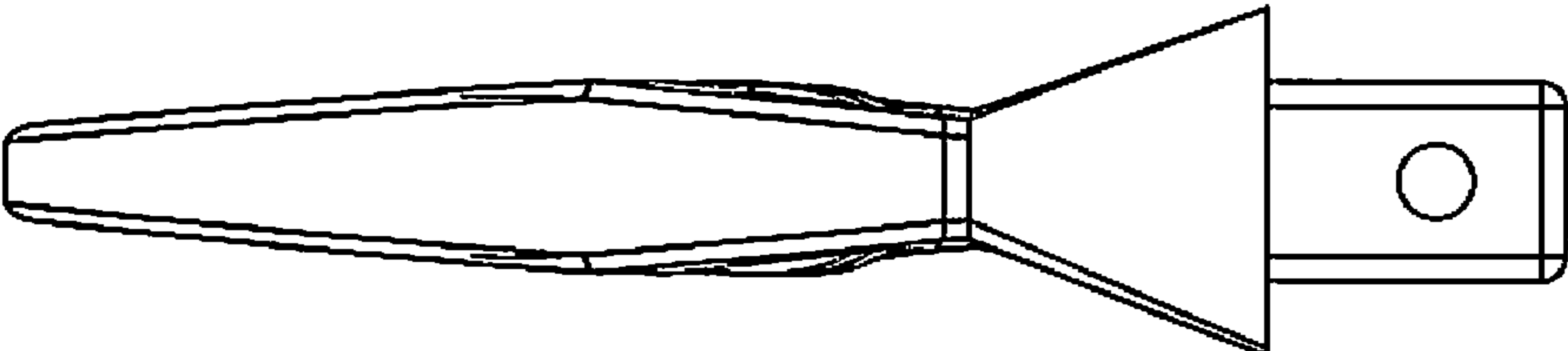


Fig 5

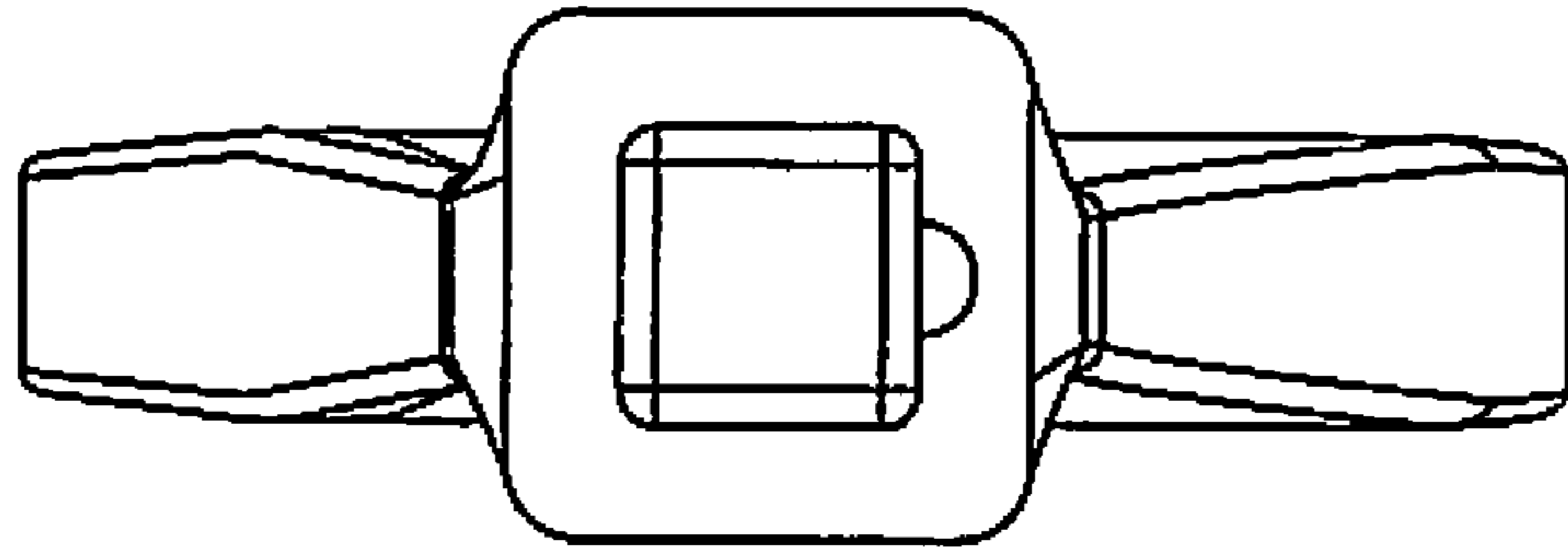


Fig 8

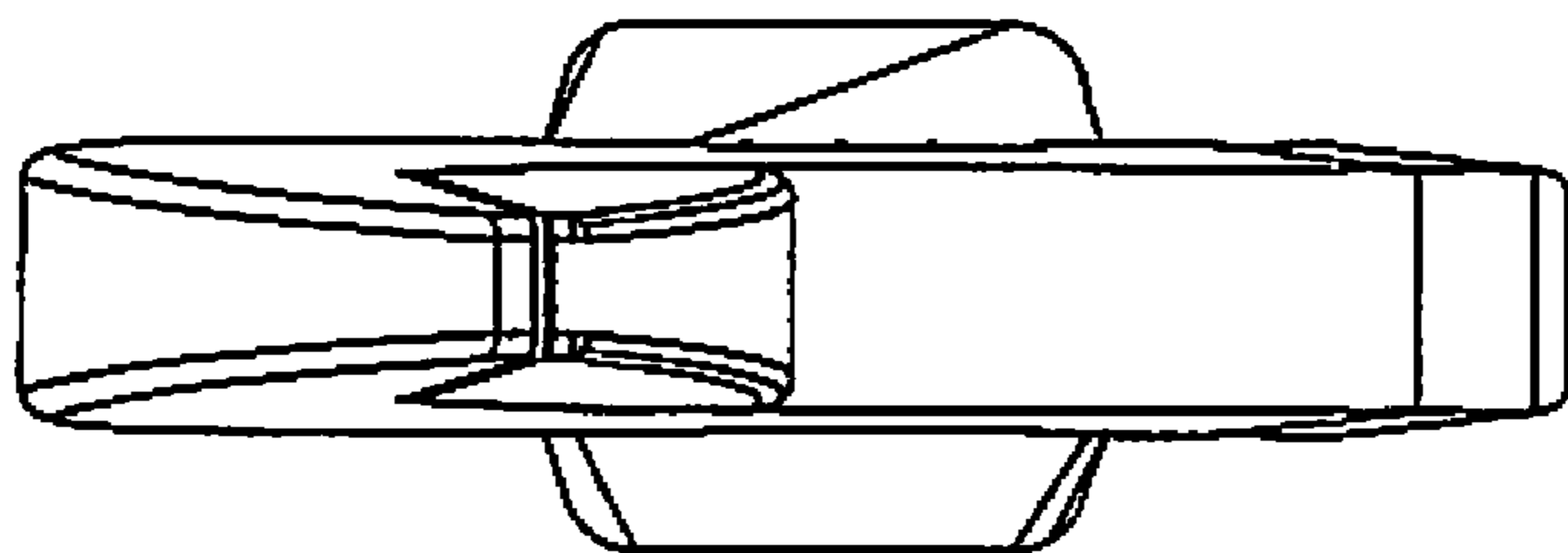


Fig 7