



US00D580238S

(12) **United States Design Patent**
Murray

(10) **Patent No.:** **US D580,238 S**

(45) **Date of Patent:** **** Nov. 11, 2008**

(54) **HEDGE TRIMMER**

(75) Inventor: **Christopher J. Murray**, Baltimore, MD (US)

(73) Assignee: **Black & Decker Inc.**, Newark, DE (US)

(**) Term: **14 Years**

(21) Appl. No.: **29/293,377**

(22) Filed: **Nov. 20, 2007**

(51) **LOC (8) Cl.** **08-01**

(52) **U.S. Cl.** **D8/8**

(58) **Field of Classification Search** D8/7,
D8/8, 9; 56/12.7, 233, 234, 235, 236, 237;
30/276, 228, 382, 383, 216, 208
See application file for complete search history.

(56) **References Cited**

U.S. PATENT DOCUMENTS

D323,770	S	*	2/1992	Alsup et al.	D8/8
D351,096	S	*	10/1994	Gierke	D8/8
5,467,532	A	*	11/1995	Ames	33/334
D372,407	S	*	8/1996	Haneda et al.	D8/8
D376,740	S	*	12/1996	Gildersleeve	D8/8
D462,882	S	*	9/2002	Evans	D8/8
D463,228	S	*	9/2002	Cooper	D8/8
D463,229	S	*	9/2002	Gabriel	D8/8
D468,600	S	*	1/2003	Evans	D8/8

D505,602 S * 5/2005 Houghton D8/8
7,290,641 B2 * 11/2007 Lee 188/20

* cited by examiner

Primary Examiner—Holly H. Baynham

Assistant Examiner—Sheryl Lane

(74) *Attorney, Agent, or Firm*—John Yun; Bruce S. Shapiro; Wesley Muller

(57) **CLAIM**

The ornamental design for a hedge trimmer, as shown and described.

DESCRIPTION

FIG. 1 is a perspective view of a hedge trimmer showing my new design.

FIG. 2 is a front view of a hedge trimmer according to FIG. 1.

FIG. 3 is a rear view of a hedge trimmer according to FIG. 1.

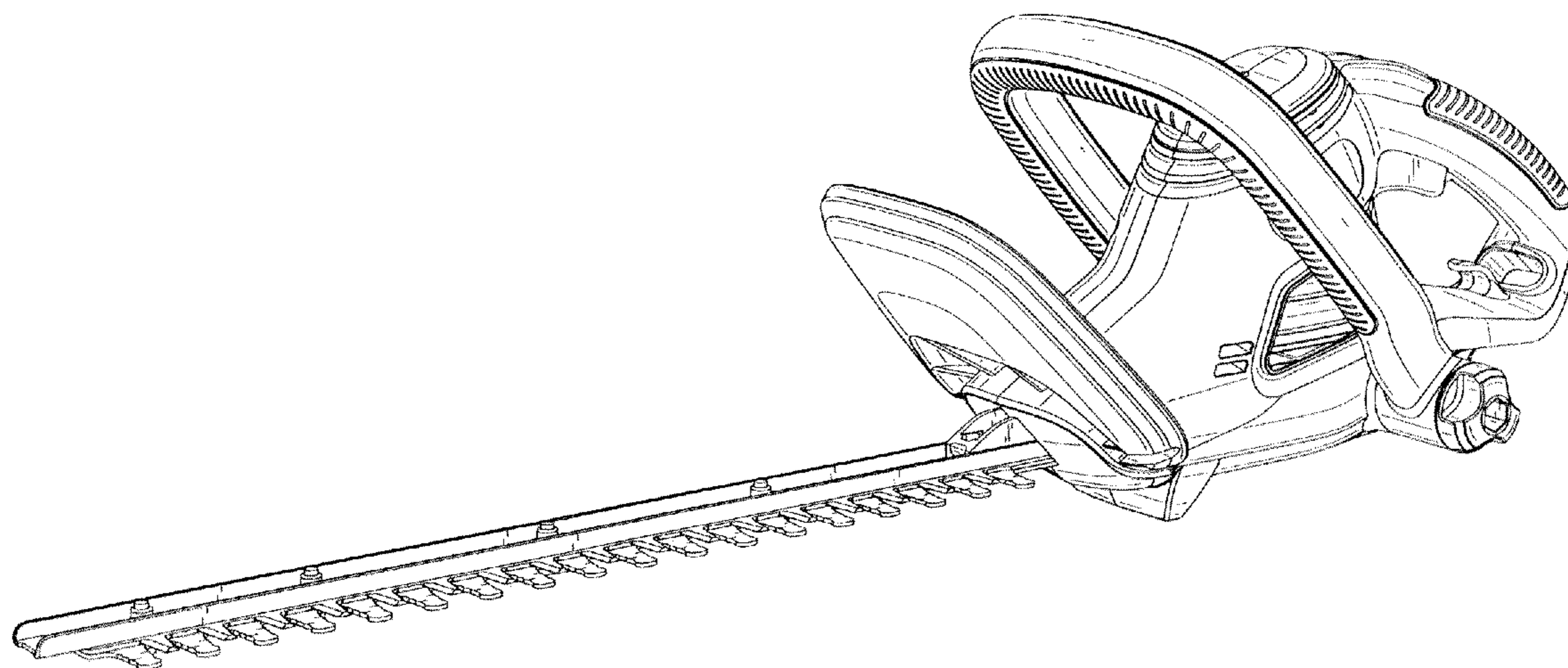
FIG. 4 is a right side view of a hedge trimmer according to FIG. 1.

FIG. 5 is a left side view of a hedge trimmer according to FIG. 1.

FIG. 6 is a top view of a hedge trimmer according to FIG. 1; and,

FIG. 7 is a bottom view of a hedge trimmer according to FIG. 1.

1 Claim, 6 Drawing Sheets



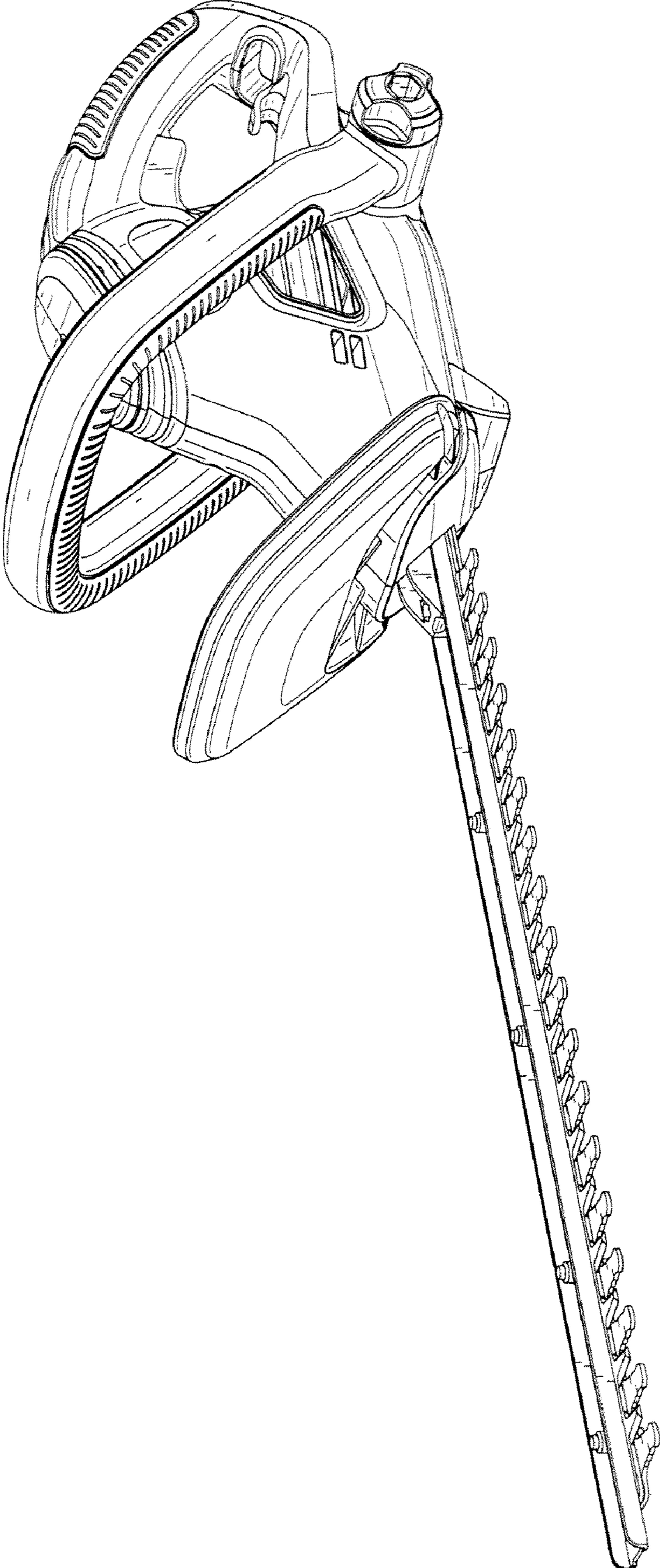


FIG. 1

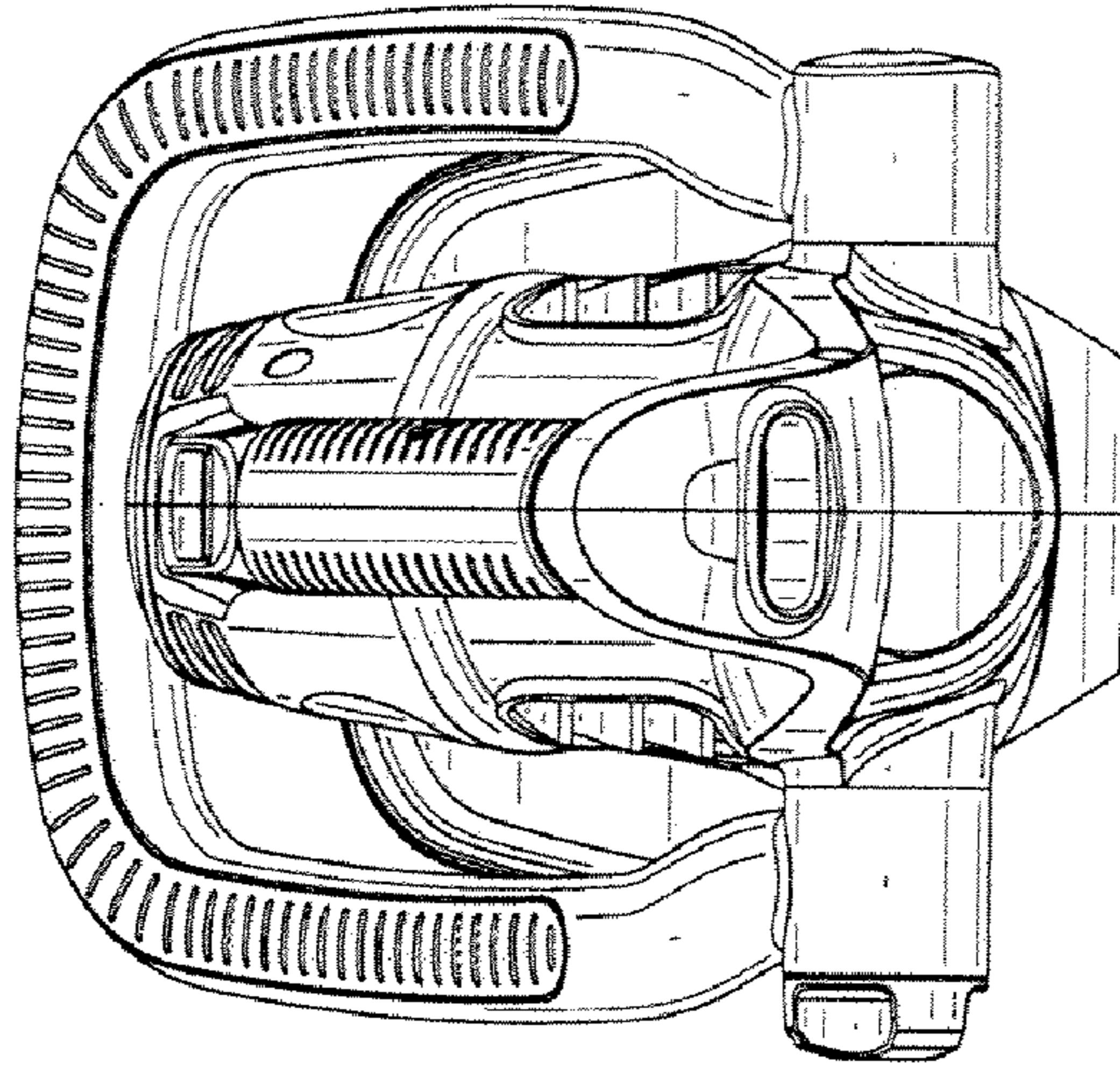


FIG. 3

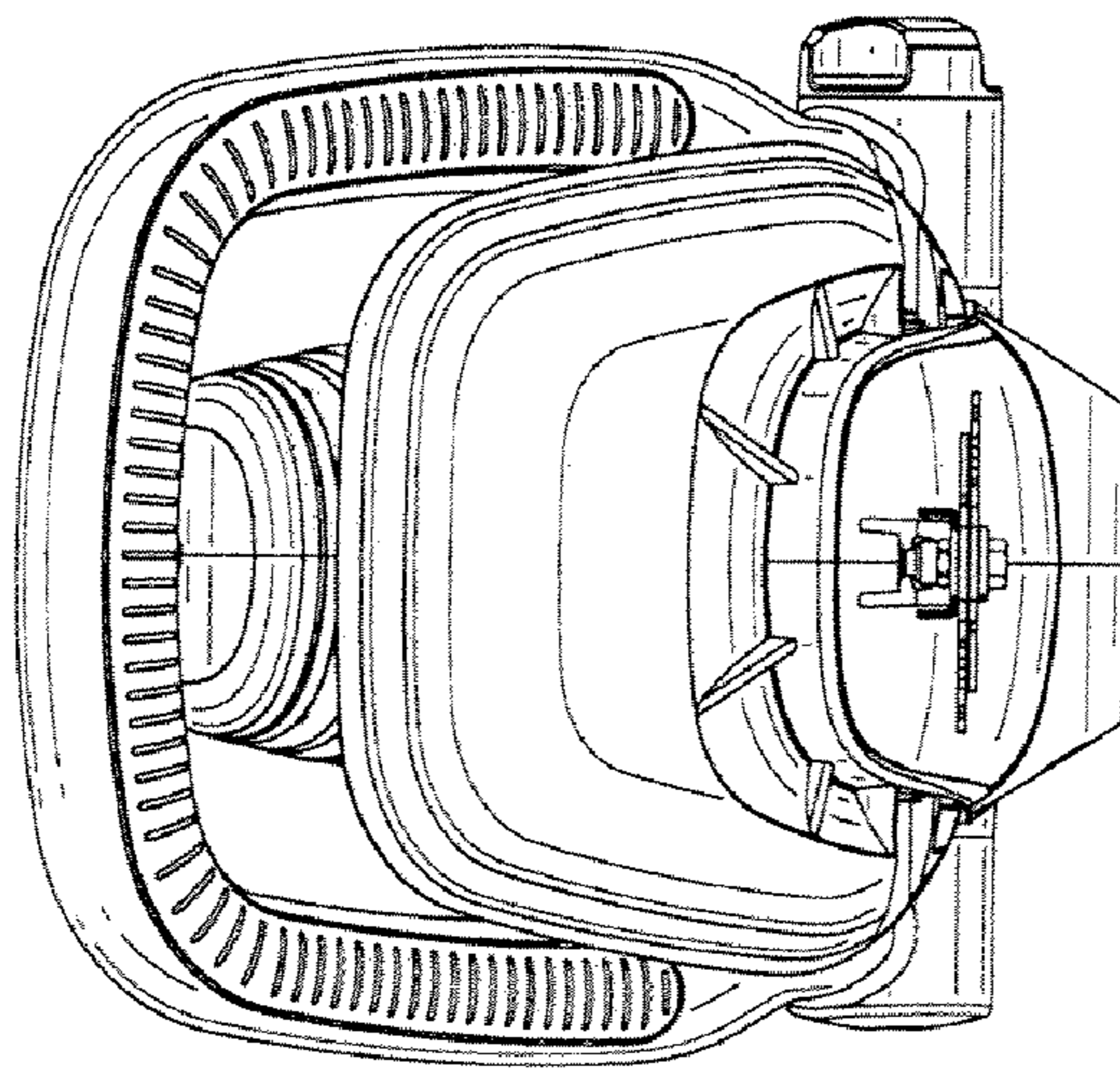


FIG. 2

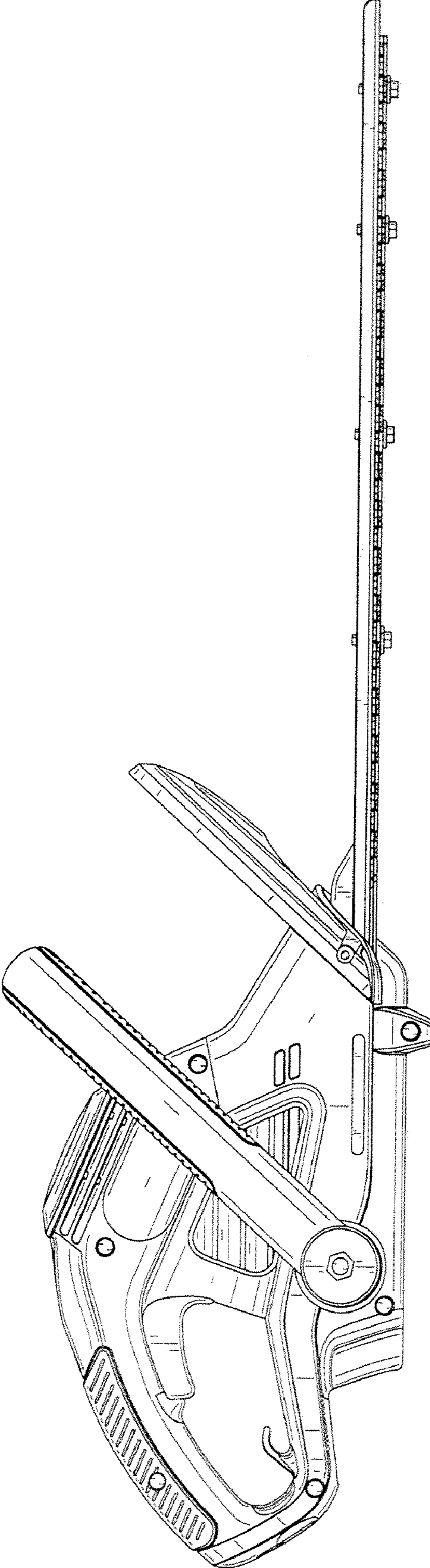


FIG. 4

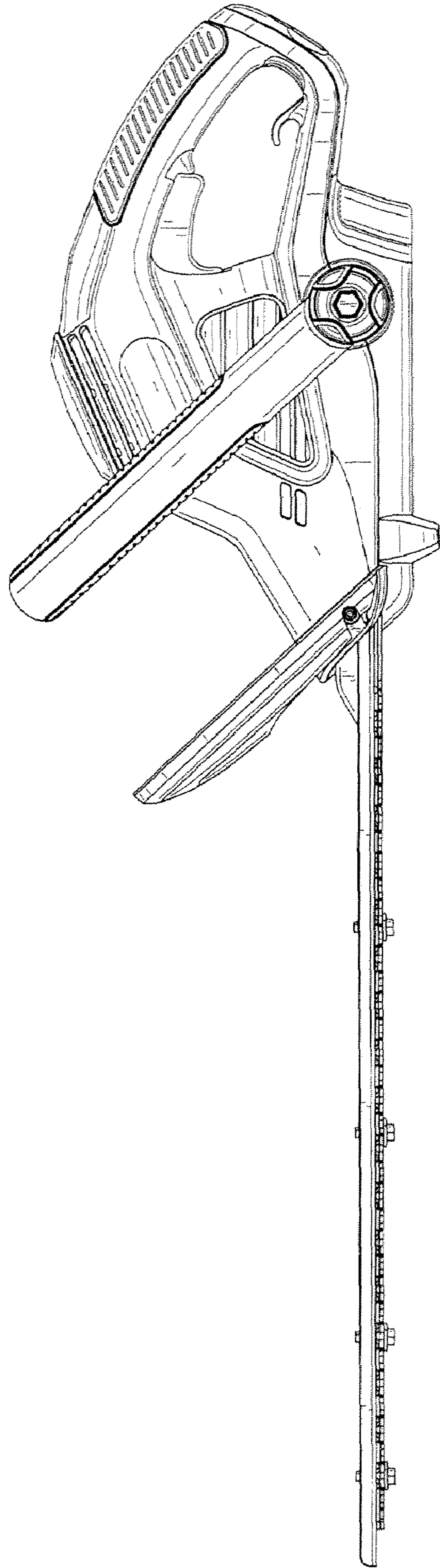


FIG. 5

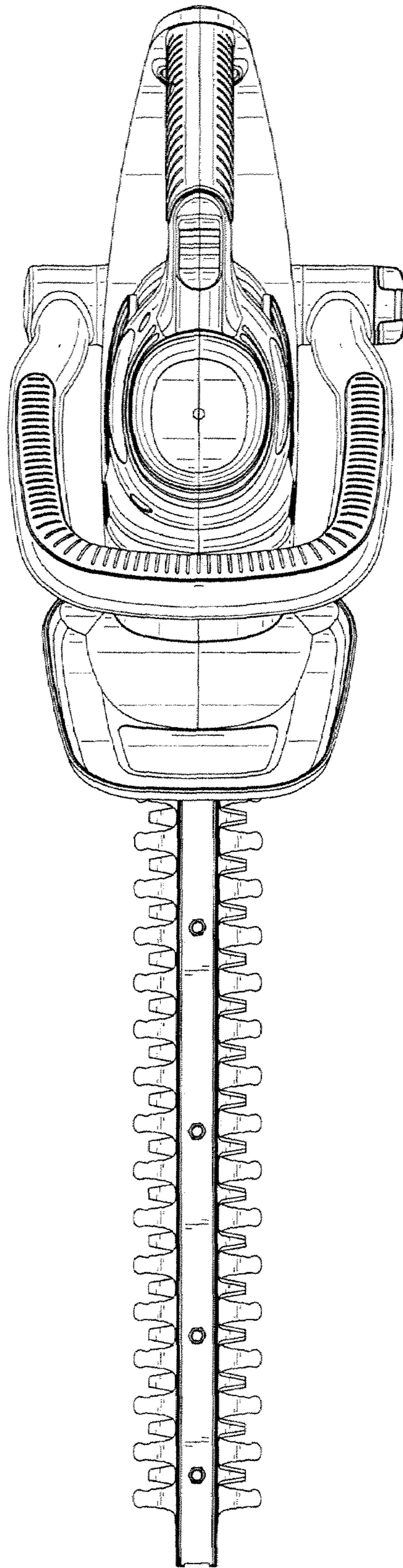


FIG. 6

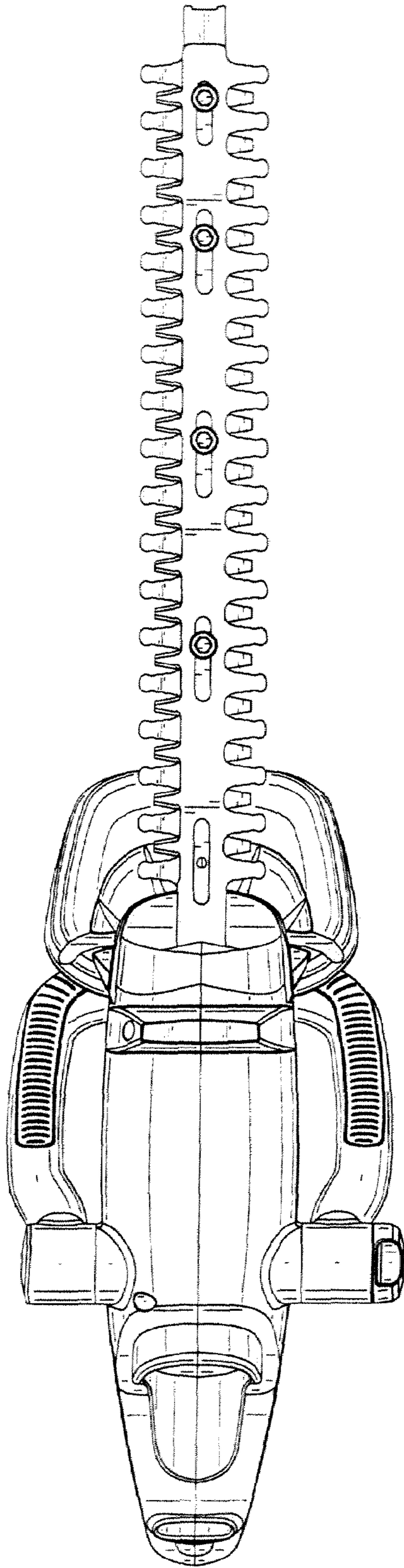


FIG. 7