



US00D580237S

(12) **United States Design Patent**
Bradford

(10) **Patent No.:** **US D580,237 S**

(45) **Date of Patent:** **** Nov. 11, 2008**

(54) **STRING TRIMMER**

(75) Inventor: **Scott Bradford**, Howden Le Wear (GB)

(73) Assignee: **Black & Decker Inc.**, Newark, DE (US)

(**) Term: **14 Years**

(21) Appl. No.: **29/292,974**

(22) Filed: **Nov. 5, 2007**

(30) **Foreign Application Priority Data**

May 4, 2007 (EM) 000717806

(51) **LOC (8) Cl.** **08-01**

(52) **U.S. Cl.** **D8/8**

(58) **Field of Classification Search** D8/8,
D8/9; 30/76, 347; 56/12.7

See application file for complete search history.

(56) **References Cited**

U.S. PATENT DOCUMENTS

D380,129 S * 6/1997 Meisner et al. D8/8

D473,114 S * 4/2003 Van Wambeke et al. D8/8

D479,677 S * 9/2003 Van Wambeke et al. D8/8

D479,962 S * 9/2003 Van Wambeke et al. D8/8

D510,512 S * 10/2005 Robson D8/8

7,134,208 B2 * 11/2006 Wilkinson et al. 30/276

* cited by examiner

Primary Examiner—Holly H. Baynham

Assistant Examiner—Sheryl Lane

(74) *Attorney, Agent, or Firm*—John Yun; Bruce S. Shapiro;
Wesley Muller

(57) **CLAIM**

The ornamental design for a string trimmer, as shown and described.

DESCRIPTION

FIG. 1 is a perspective view of a string trimmer showing my new design.

FIG. 2 is a front view of a string trimmer according to FIG. 1.

FIG. 3 is a rear view of a string trimmer according to FIG. 1.

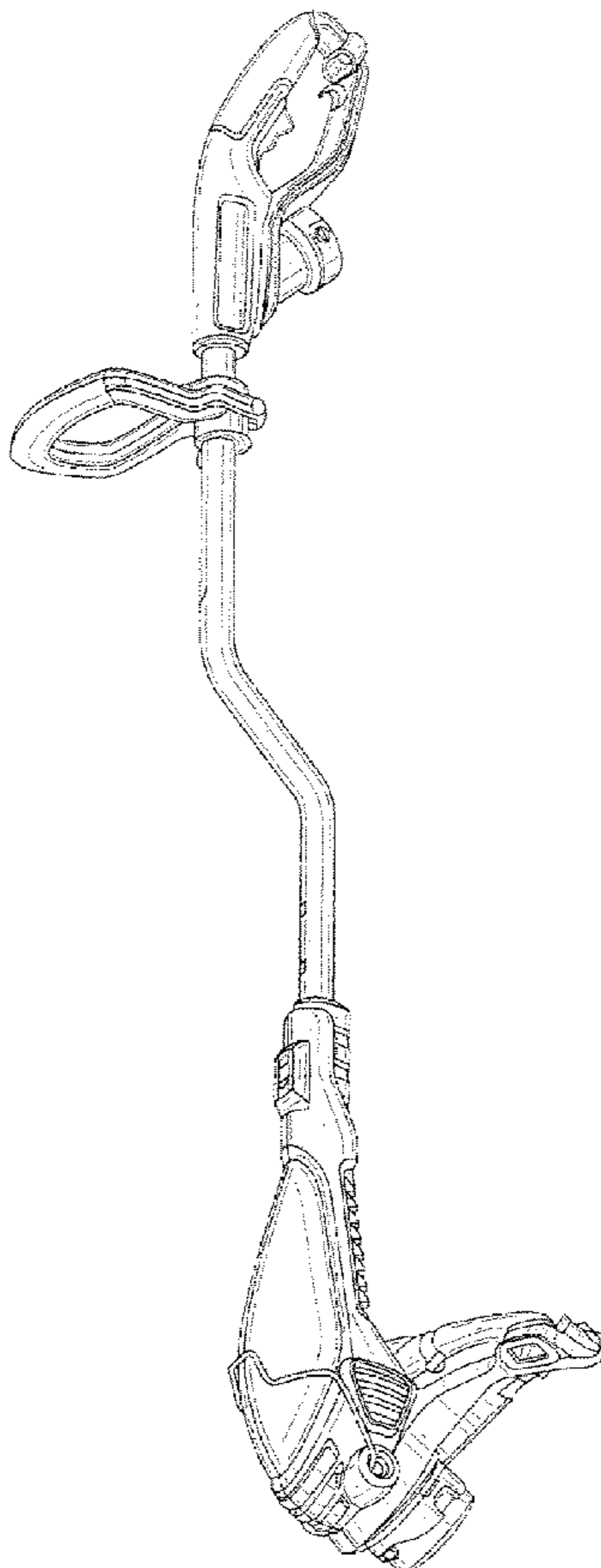
FIG. 4 is a right side view of a string trimmer according to FIG. 1.

FIG. 5 is a left side view of a string trimmer according to FIG. 1.

FIG. 6 is a top view of a string trimmer according to FIG. 1; and,

FIG. 7 is a bottom view of a string trimmer according to FIG. 1.

1 Claim, 5 Drawing Sheets



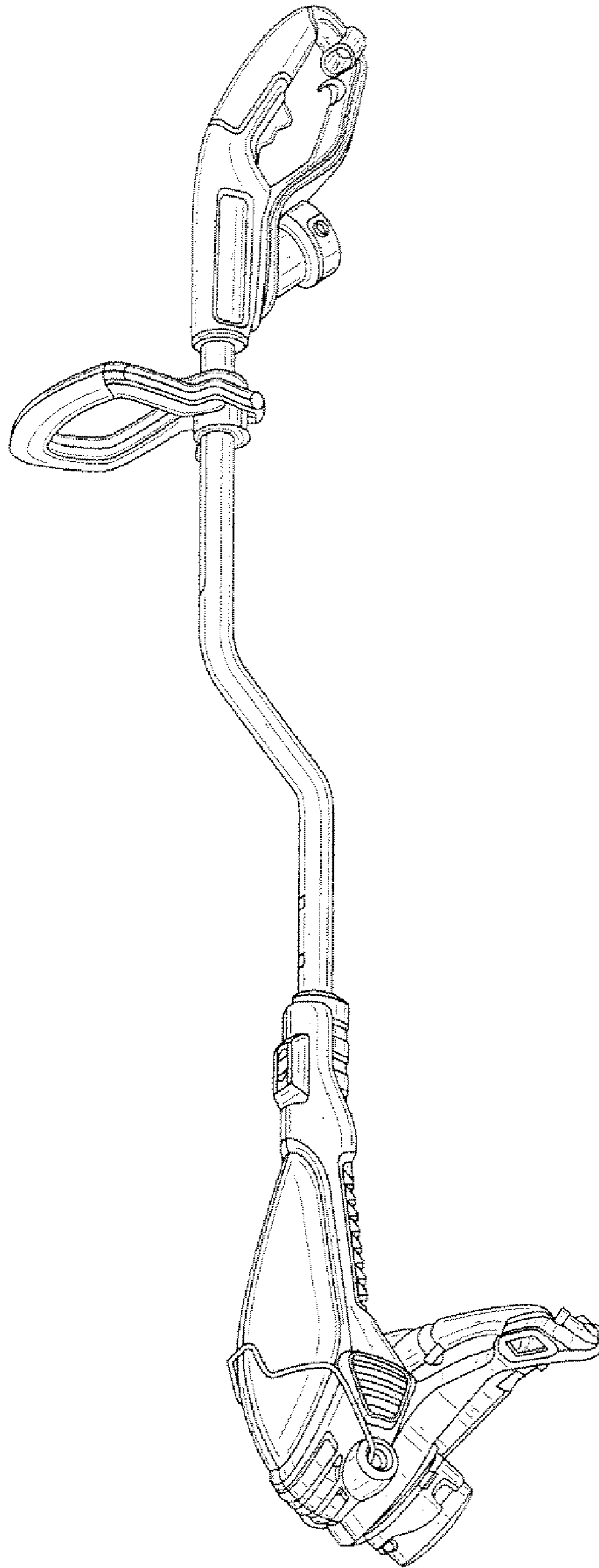


FIG. 1

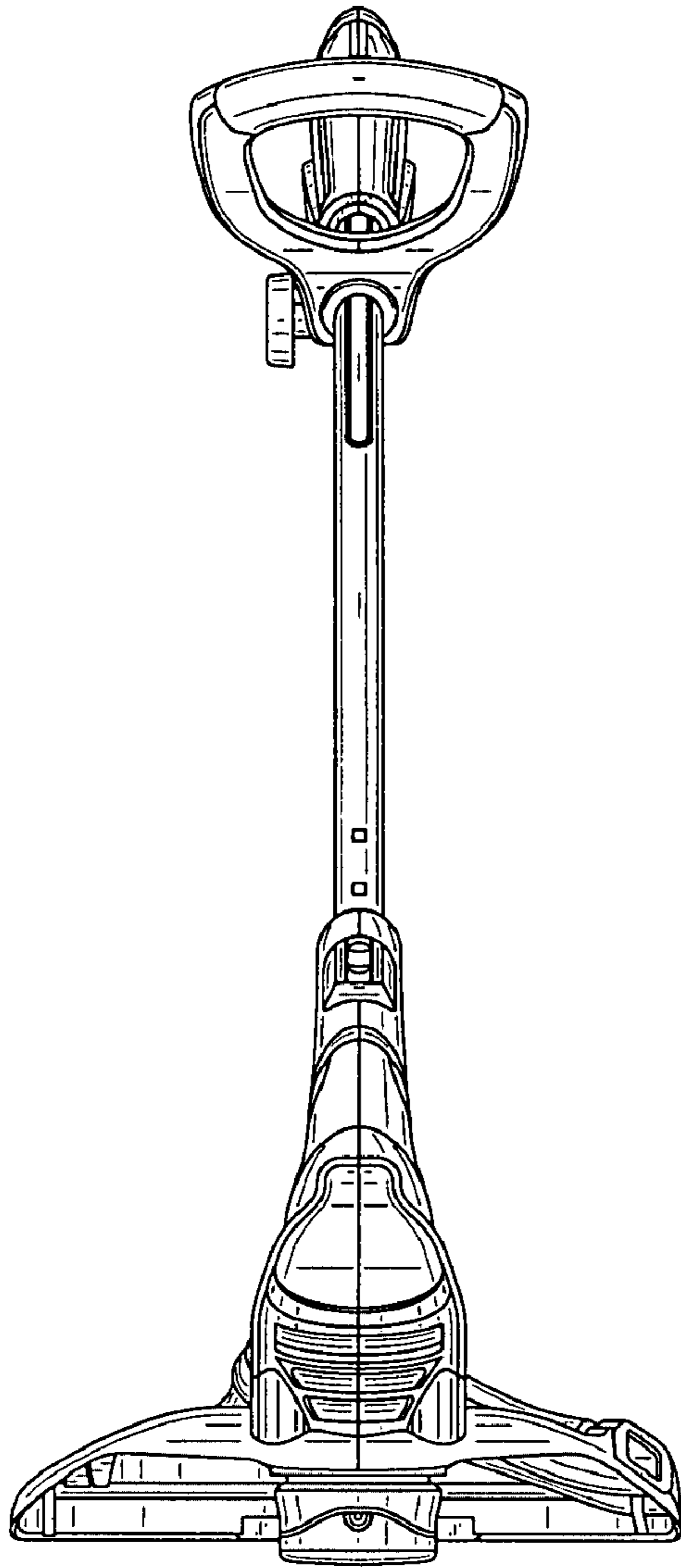


FIG. 2

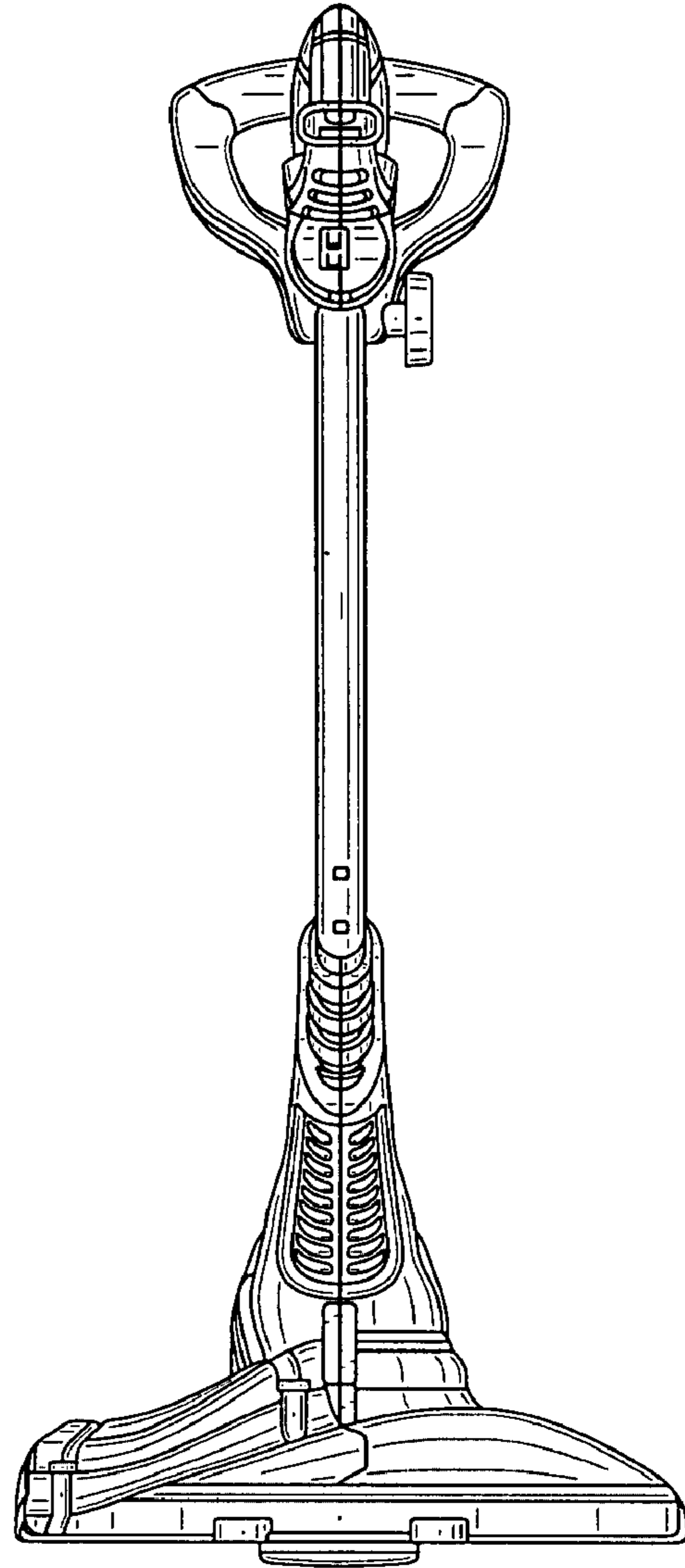


FIG. 3

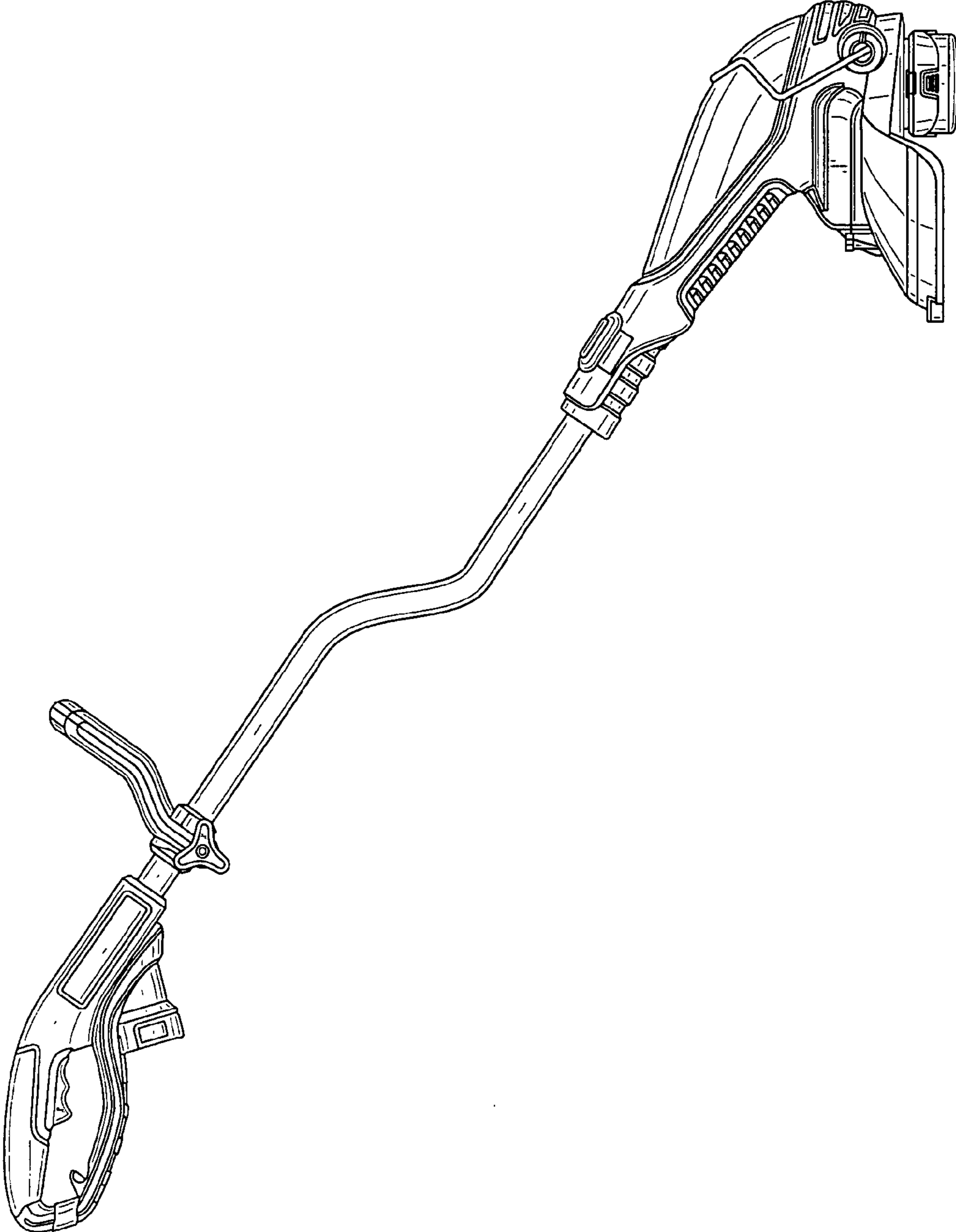


FIG. 4

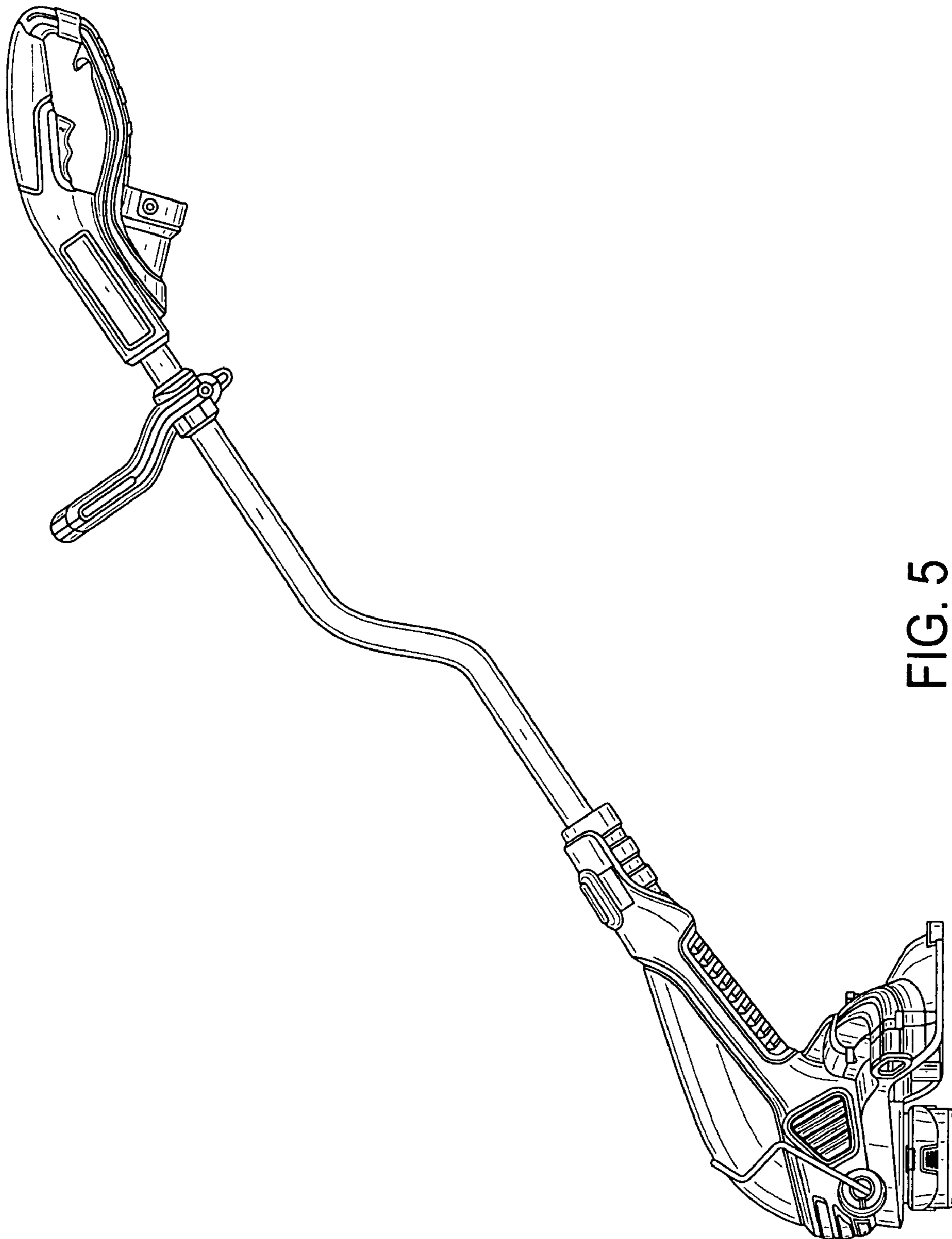


FIG. 5

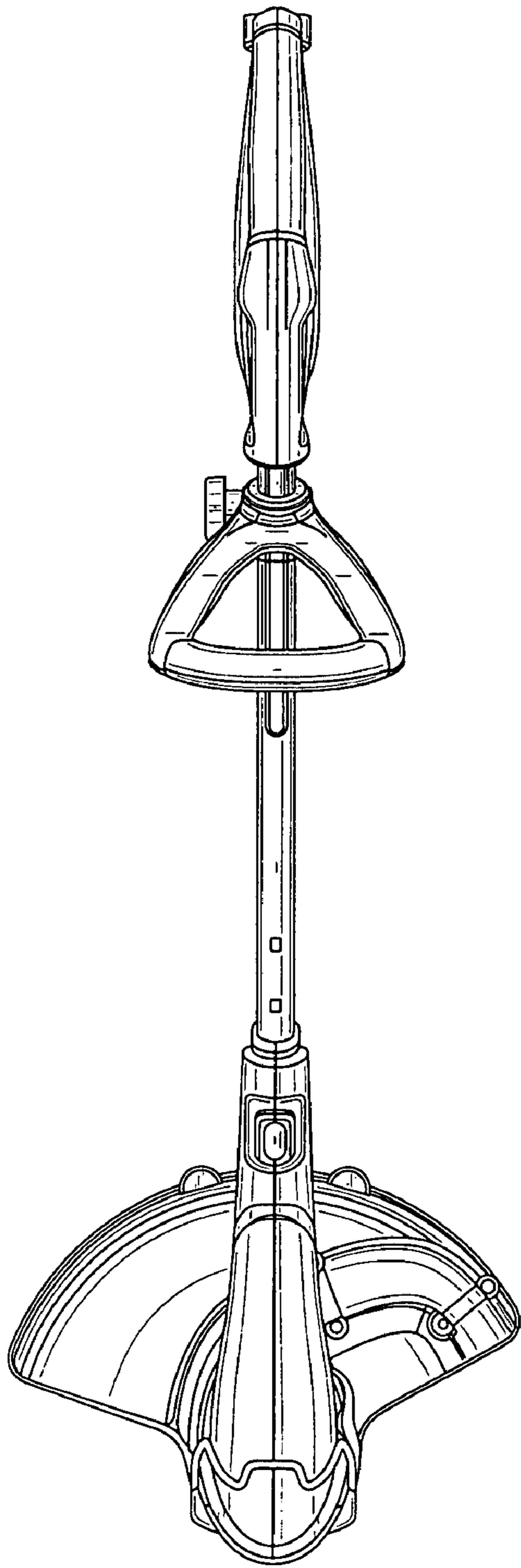


FIG. 6

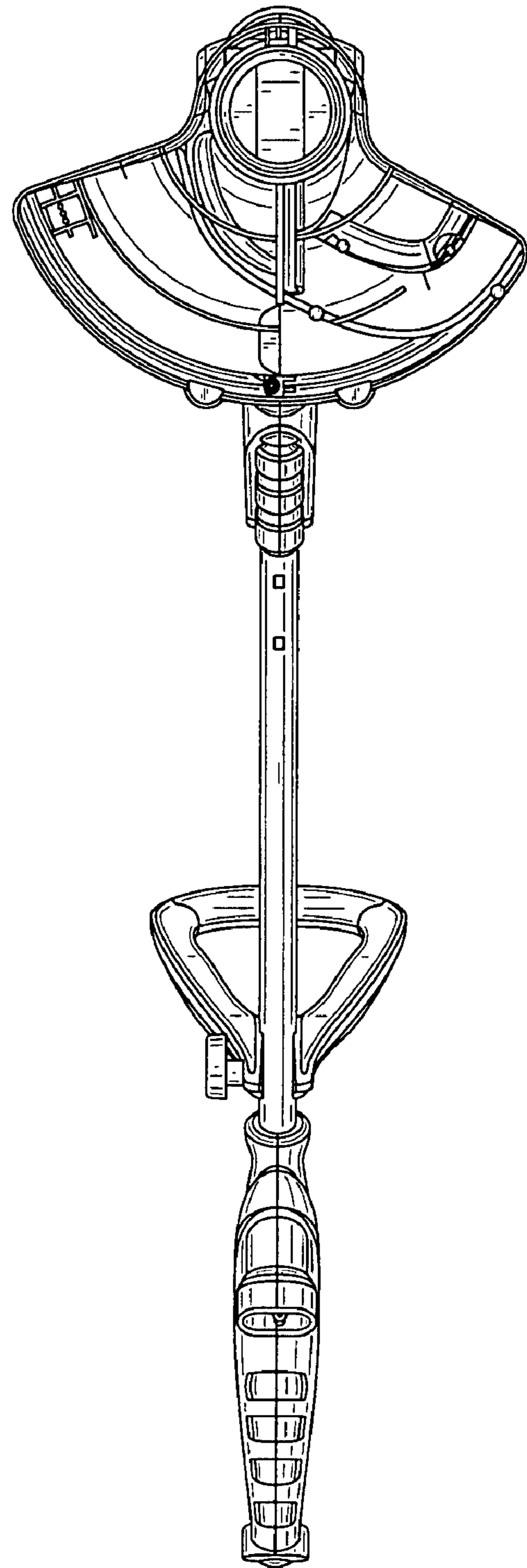


FIG. 7