



US00D580232S

(12) **United States Design Patent**
Lee

(10) **Patent No.:** **US D580,232 S**
(45) **Date of Patent:** **** Nov. 11, 2008**

(54) **COOLER WITH DETACHABLE LEGS**

(76) Inventor: **Lawrence K. Lee**, 9320 Harwin Dr.,
Houston, TX (US) 77036

(**) Term: **14 Years**

(21) Appl. No.: **29/305,660**

(22) Filed: **Mar. 26, 2008**

(51) **LOC (8) Cl.** **07-01**

(52) **U.S. Cl.** **D7/606**

(58) **Field of Classification Search** D7/603-608,
D7/629; D6/480, 484, 432, 440; 220/915.1,
220/915.2, 592.01, 592.03, 592.09, 592.16,
220/592.2; 62/457.1-457.9, 371, 372
See application file for complete search history.

(56) **References Cited**

U.S. PATENT DOCUMENTS

D414,354 S *	9/1999	Gower	D6/484
D428,733 S *	8/2000	Hazen et al.	D6/441
D437,736 S *	2/2001	Moffett et al.	D7/605
D448,625 S *	10/2001	Moffett et al.	D7/605
6,612,127 B2 *	9/2003	Simmons	62/457.2
D520,305 S *	5/2006	Brodock et al.	D7/605

* cited by examiner

Primary Examiner—Terry A Wallace

(74) *Attorney, Agent, or Firm*—Egbert Law Offices

(57) **CLAIM**

The ornamental design for the cooler with detachable legs, as shown and described.

DESCRIPTION

FIG. 1 is an upper perspective view of the cooler with detachable legs showing my design.

FIG. 2 is a front view thereof;

FIG. 3 is a back view thereof;

FIG. 4 is a side view thereof;

FIG. 5 is an opposite side view thereof;

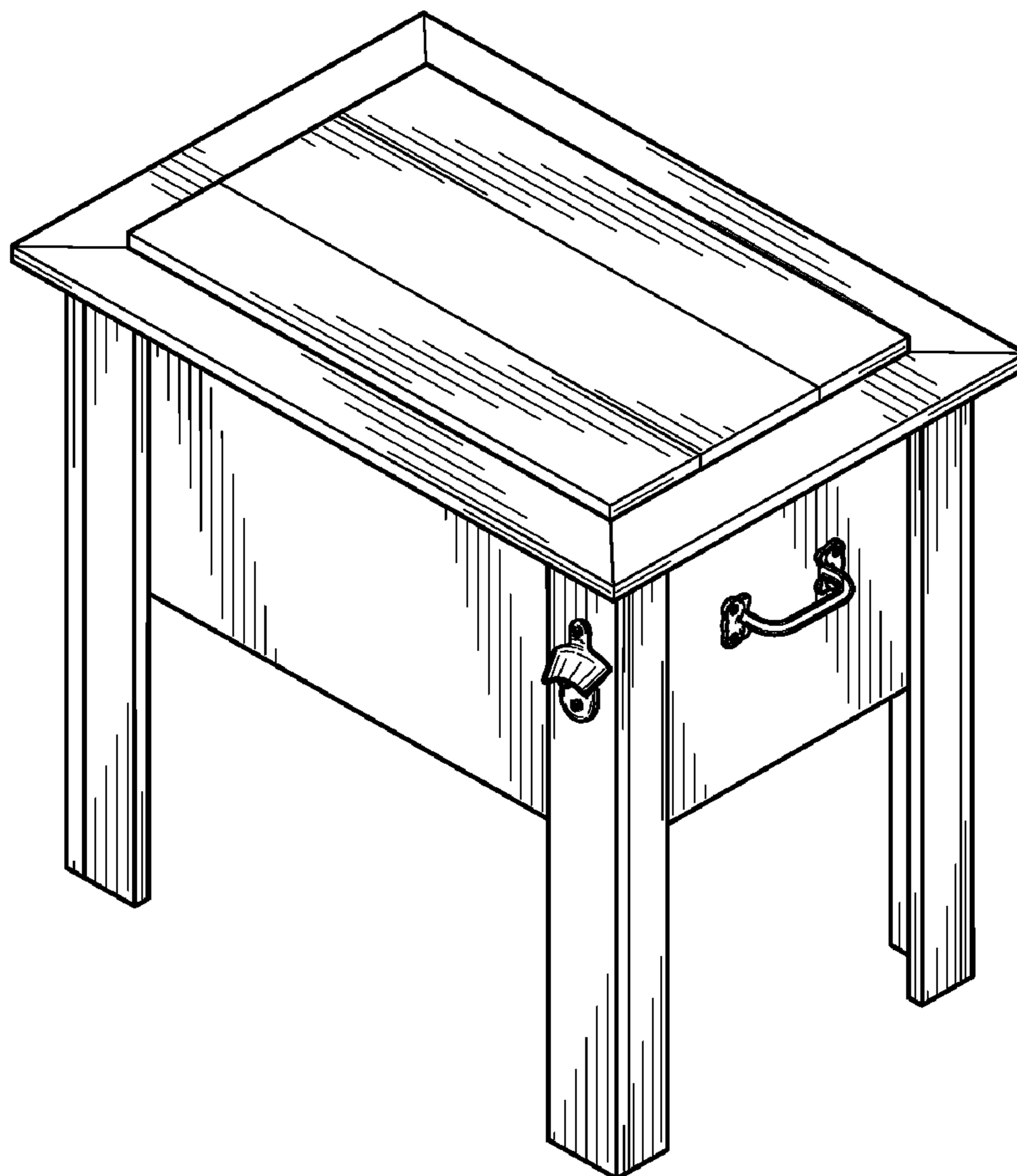
FIG. 6 is a top plan view thereof;

FIG. 7 is a bottom view thereof;

FIG. 8 is another perspective view thereof, showing the lid in an open position; and,

FIG. 9 is an exploded perspective view thereof, showing the legs in a detached position.

1 Claim, 5 Drawing Sheets



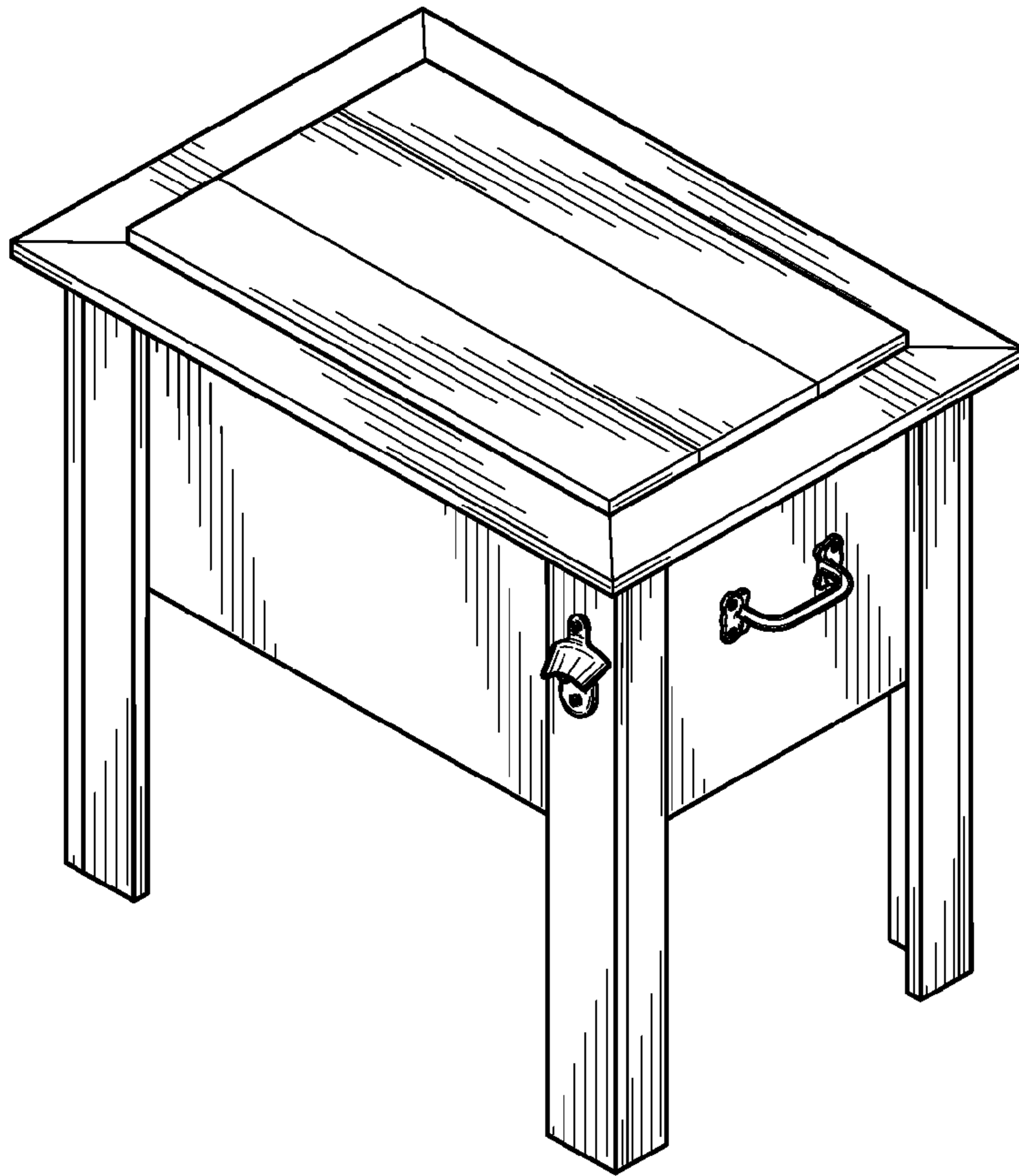


FIG. 1

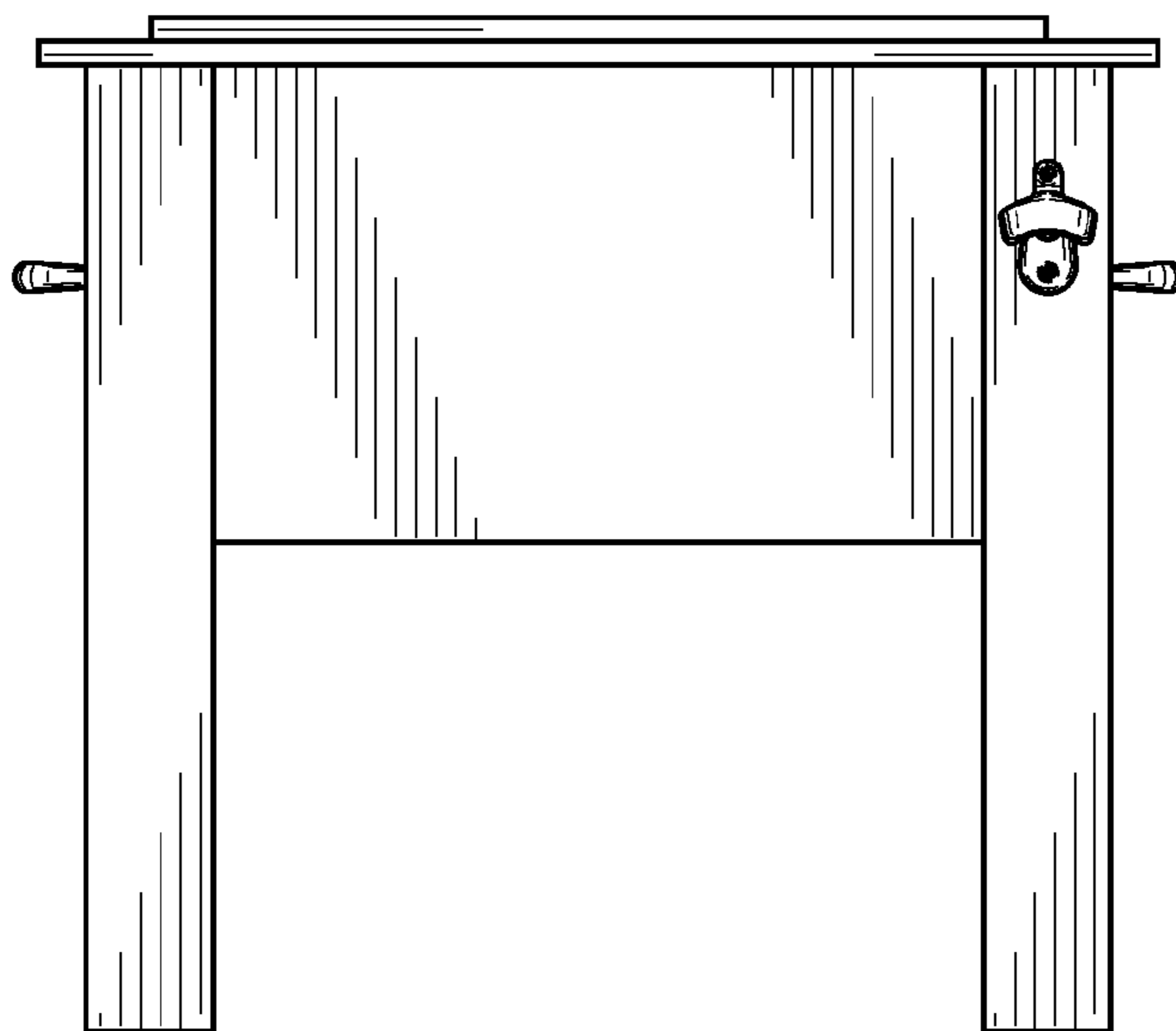


FIG. 2

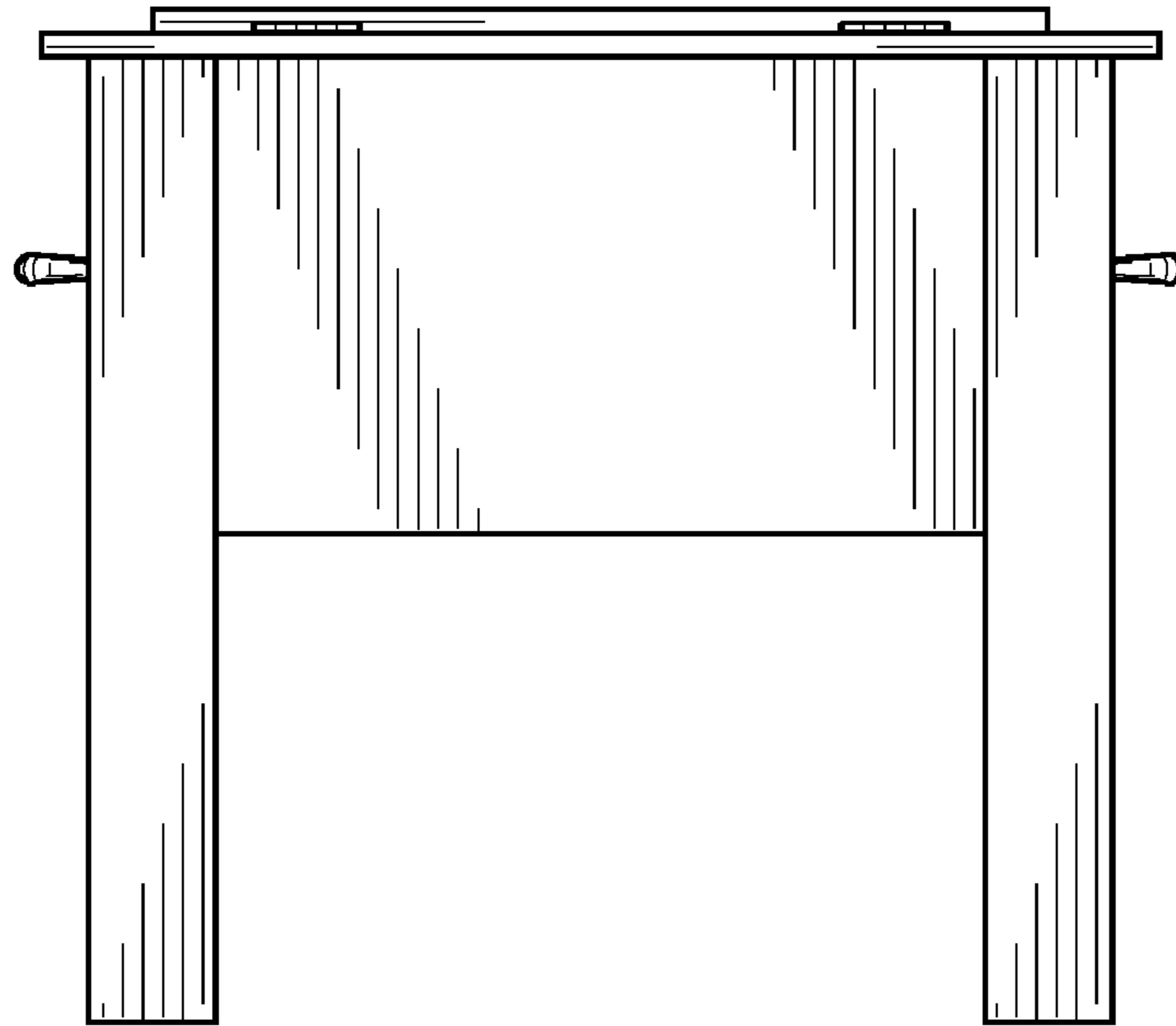


FIG. 3

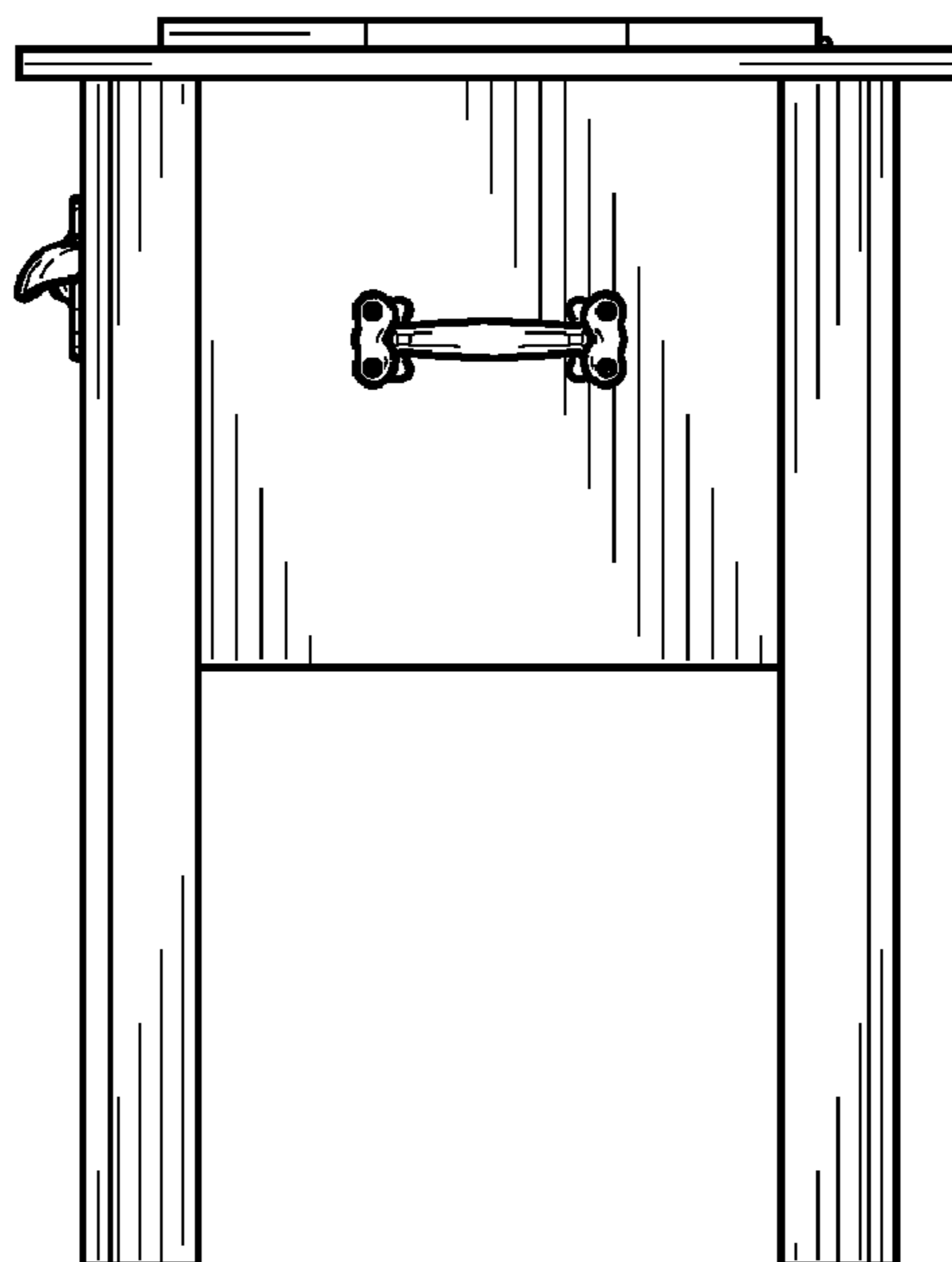


FIG. 4

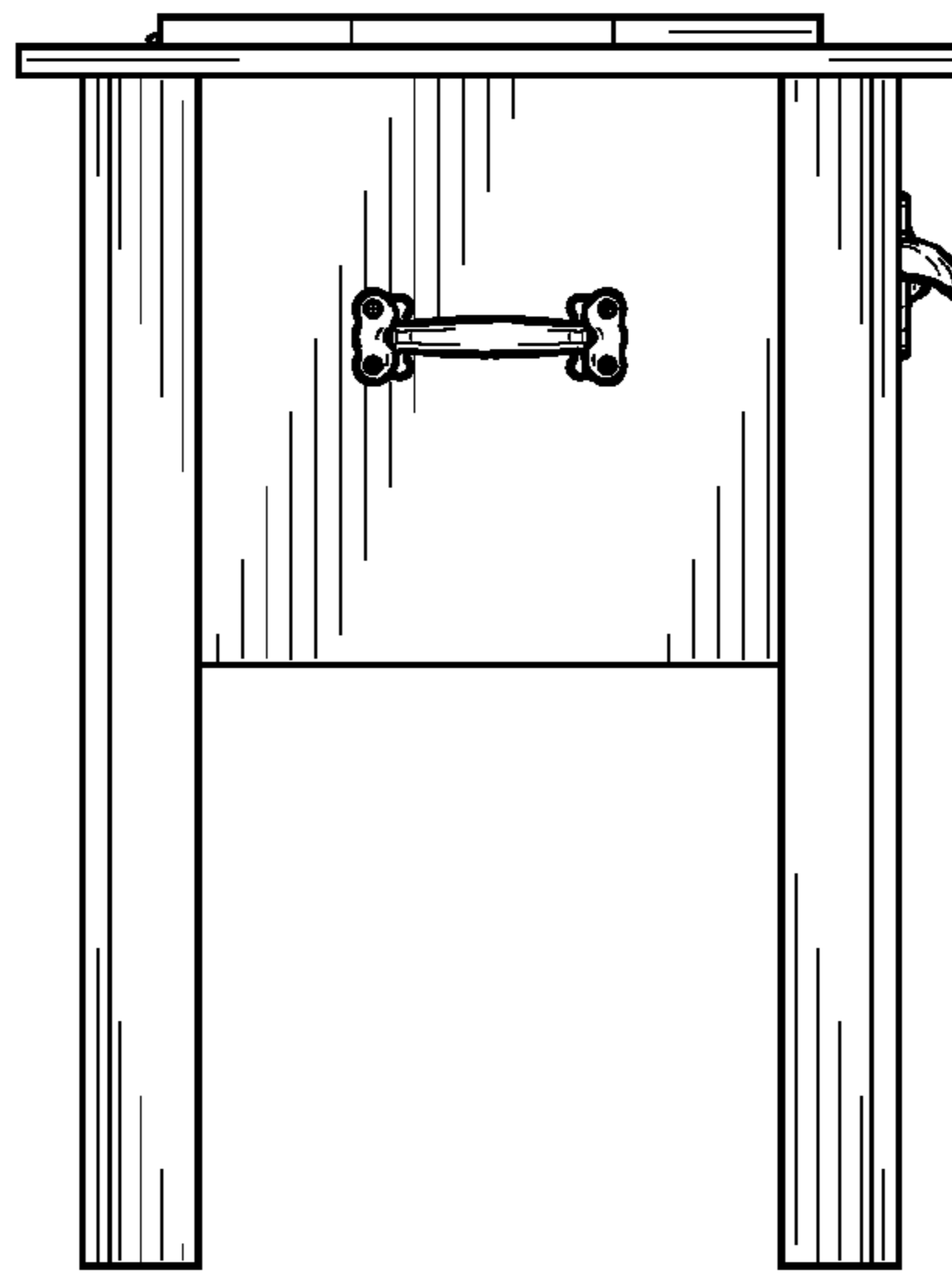


FIG. 5

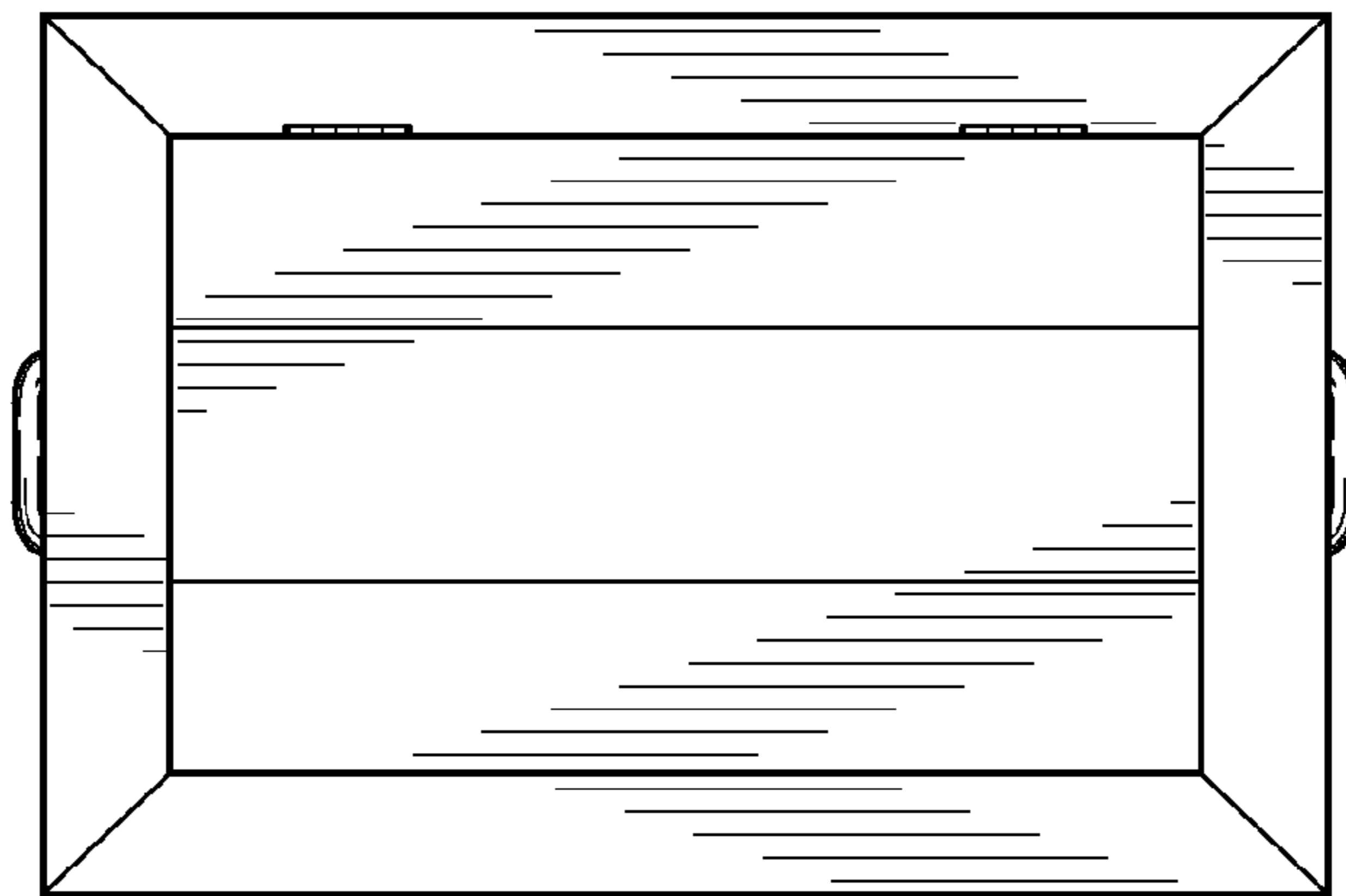


FIG. 6

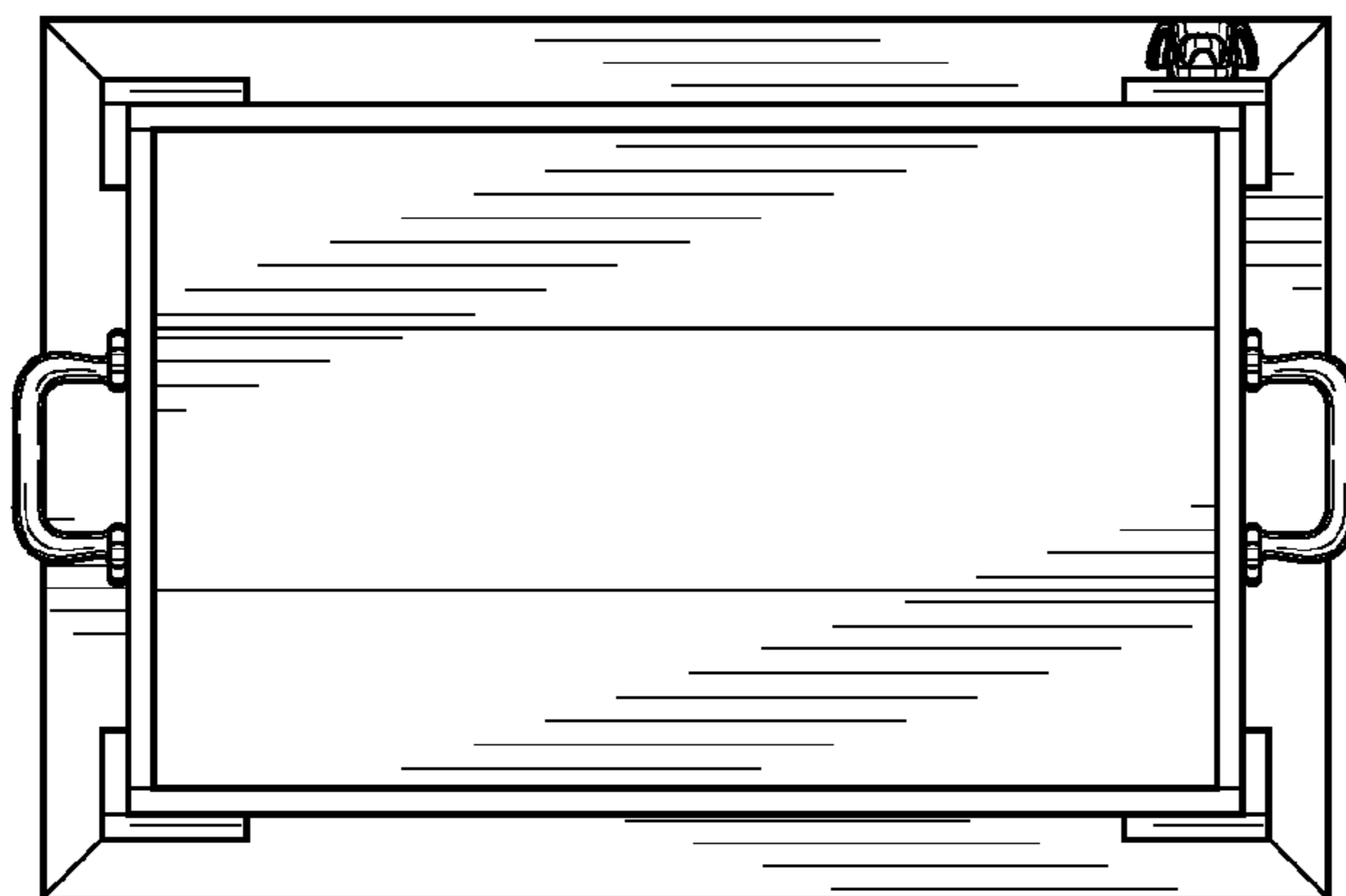


FIG. 7

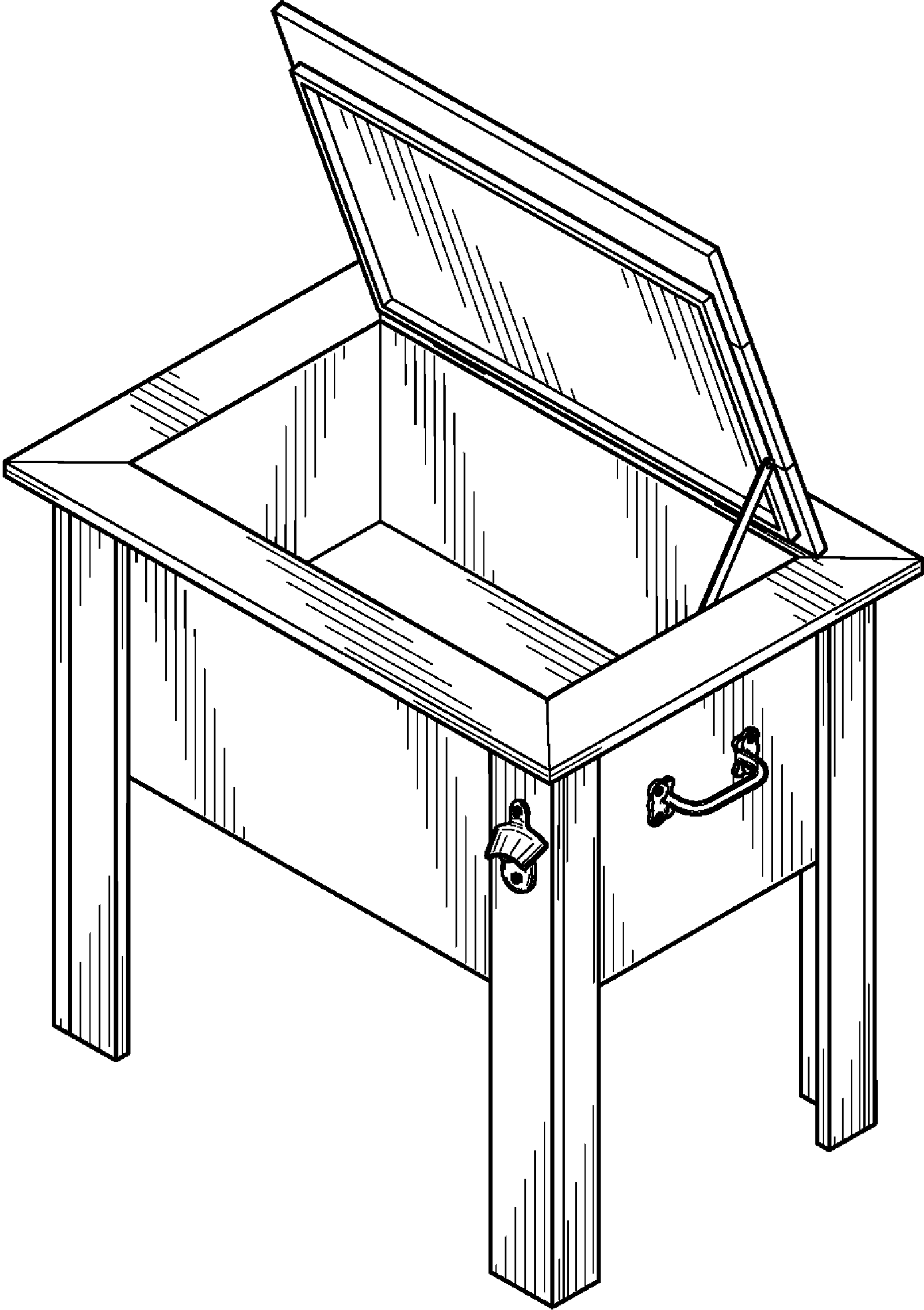


FIG. 8

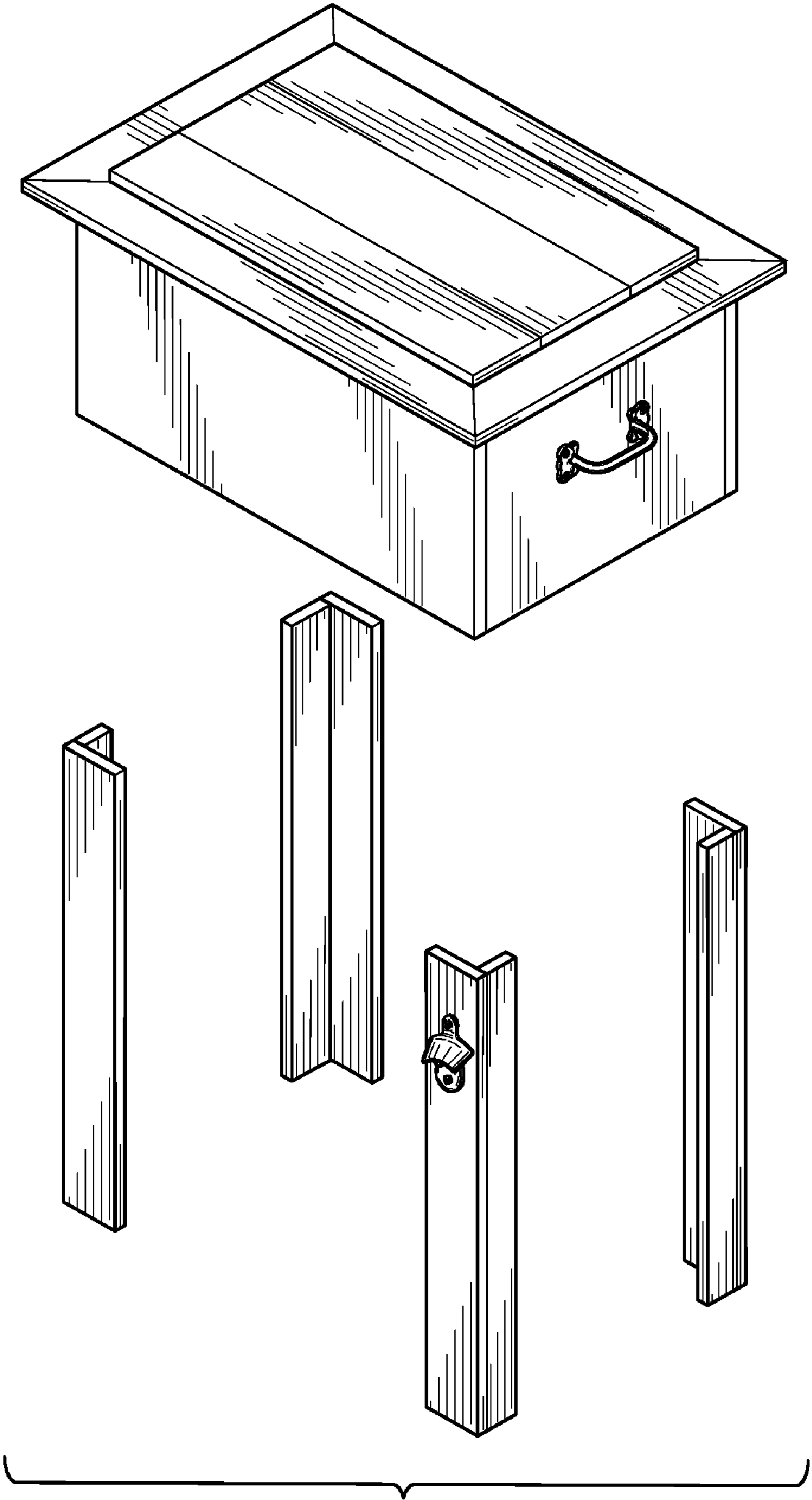


FIG. 9