



US00D580230S

(12) **United States Design Patent**  
**Arney**

(10) **Patent No.:** **US D580,230 S**

(45) **Date of Patent:** **\*\* Nov. 11, 2008**

(54) **WINE CORK HOLDER**

(76) Inventor: **Damon S. Arney**, P.O. Box 240654,  
Memphis, TN (US) 38124

(\*\*) Term: **14 Years**

(21) Appl. No.: **29/302,161**

(22) Filed: **Jan. 11, 2008**

**Related U.S. Application Data**

(63) Continuation of application No. 10/735,547, filed on  
Dec. 12, 2003.

(51) **LOC (8) Cl.** ..... **07-99**

(52) **U.S. Cl.** ..... **D7/601**; D7/619.1

(58) **Field of Classification Search** ..... D7/590,  
D7/601, 619.1-625, 605-608; D24/199,  
D24/183; 222/185.1; 211/74; 248/105,  
248/694, 146, 148, 311.2, 312, 176.2  
See application file for complete search history.

(56) **References Cited**

**U.S. PATENT DOCUMENTS**

1,886,619 A \* 11/1932 Arnone ..... 248/105  
2,526,121 A \* 10/1950 Curry et al. .... 248/102  
3,814,293 A \* 6/1974 Daves ..... 222/173  
D359,804 S \* 6/1995 Carter ..... D24/183  
D361,131 S \* 8/1995 Leopold ..... D24/199  
D363,549 S \* 10/1995 Ye ..... D24/199

D379,660 S \* 6/1997 Aube ..... D24/199  
D425,375 S \* 5/2000 Parham ..... D7/619.1  
D439,671 S \* 3/2001 Casillo et al. .... D24/199  
6,832,744 B1 \* 12/2004 Pitt ..... 248/146

**FOREIGN PATENT DOCUMENTS**

FR 2610810 A1 8/1988  
FR 2744613 A1 8/1997  
FR 2855732 A1 12/2004

\* cited by examiner

*Primary Examiner*—Terry A Wallace

(74) *Attorney, Agent, or Firm*—Woodard, Emhardt, Moriarty,  
McNett & Henry LLP

(57) **CLAIM**

The ornamental design for a wine cork holder, as shown and  
described.

**DESCRIPTION**

FIG. 1 is a perspective view of the wine cork holder.

FIG. 2 is a top plan view of the wine cork holder.

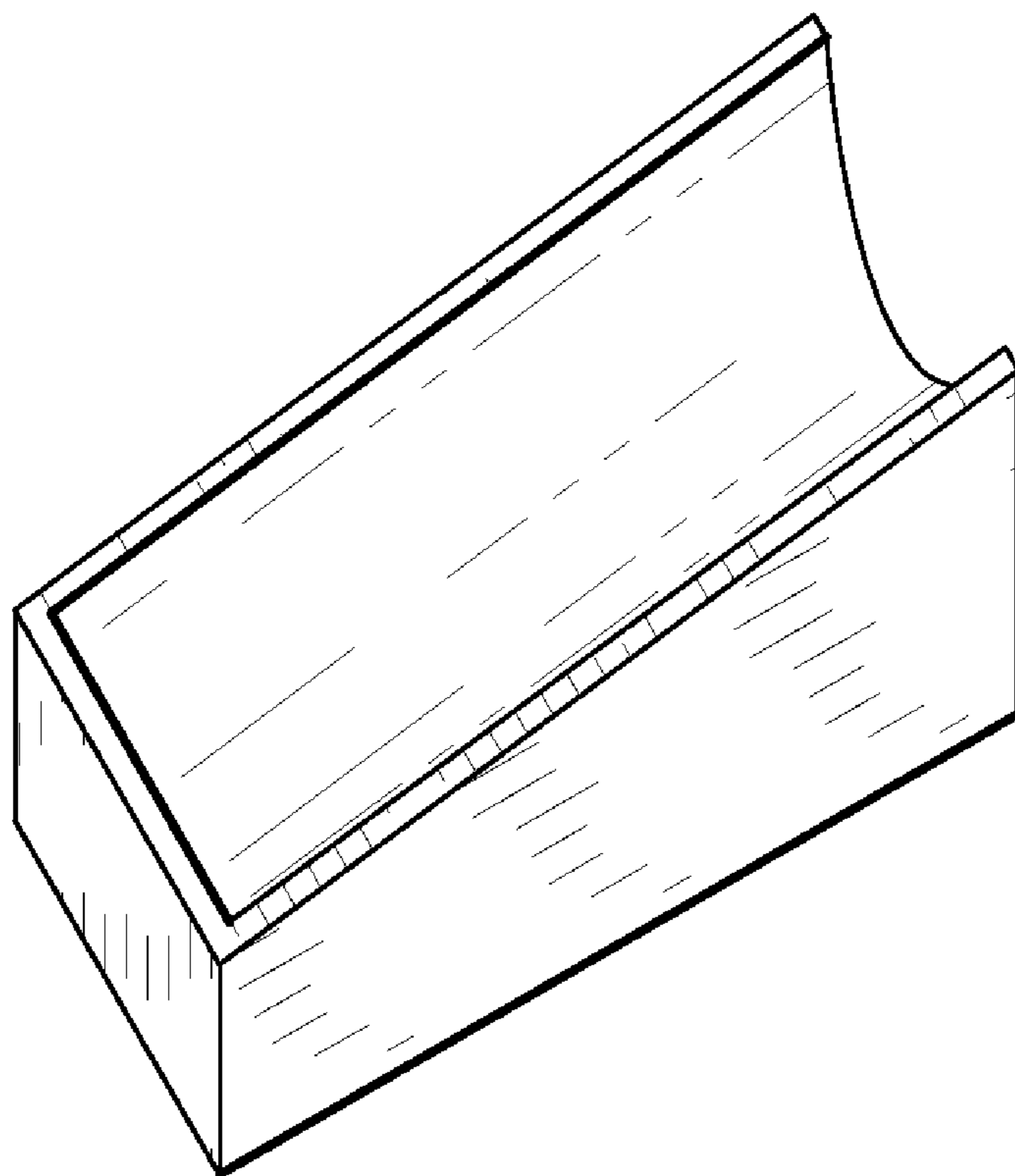
FIG. 3 is a side view of the wine cork holder, the opposite side  
view being a mirror image.

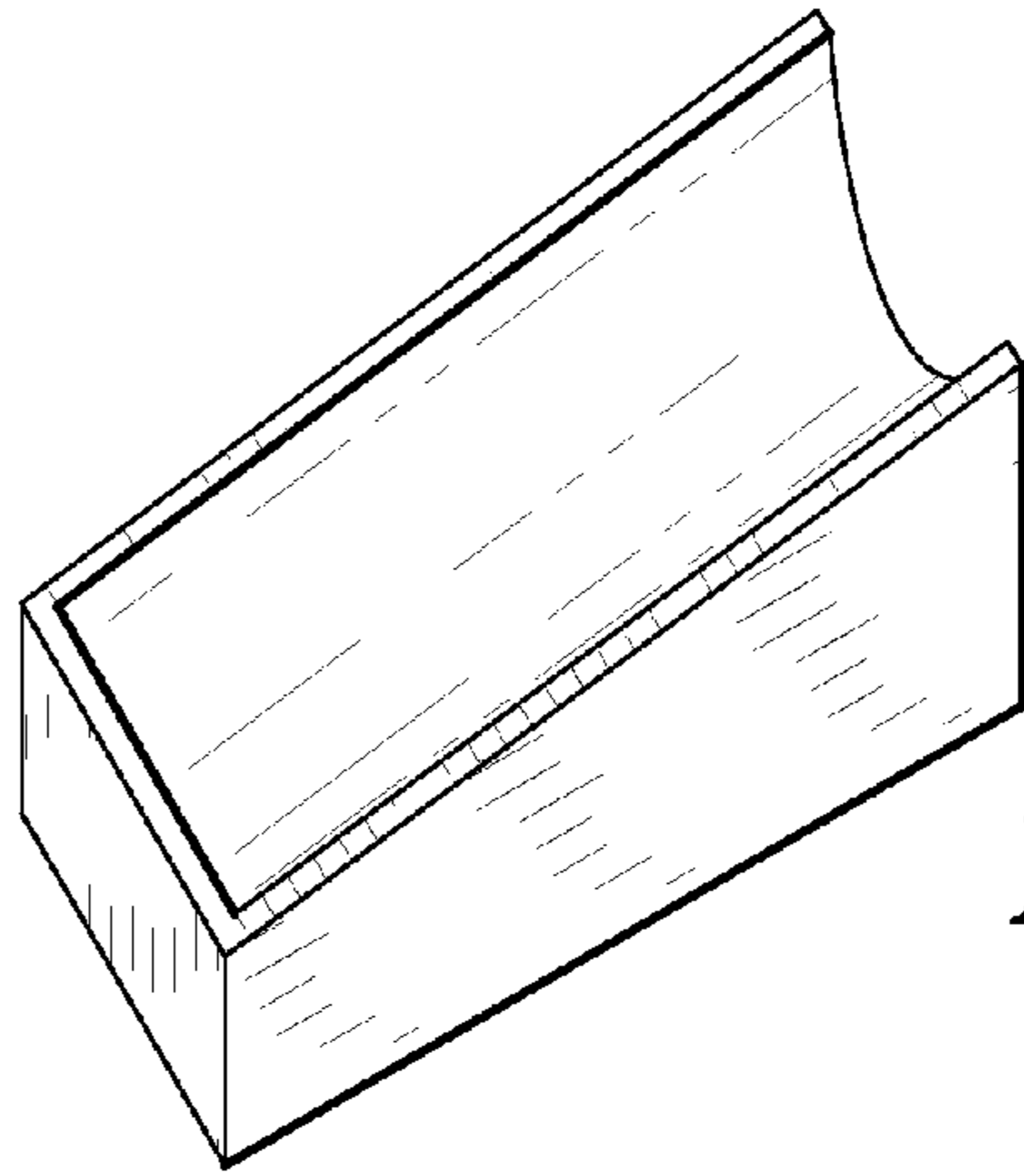
FIG. 4 is a front end view of the wine cork holder.

FIG. 5 is a rear end view of the wine cork holder; and,

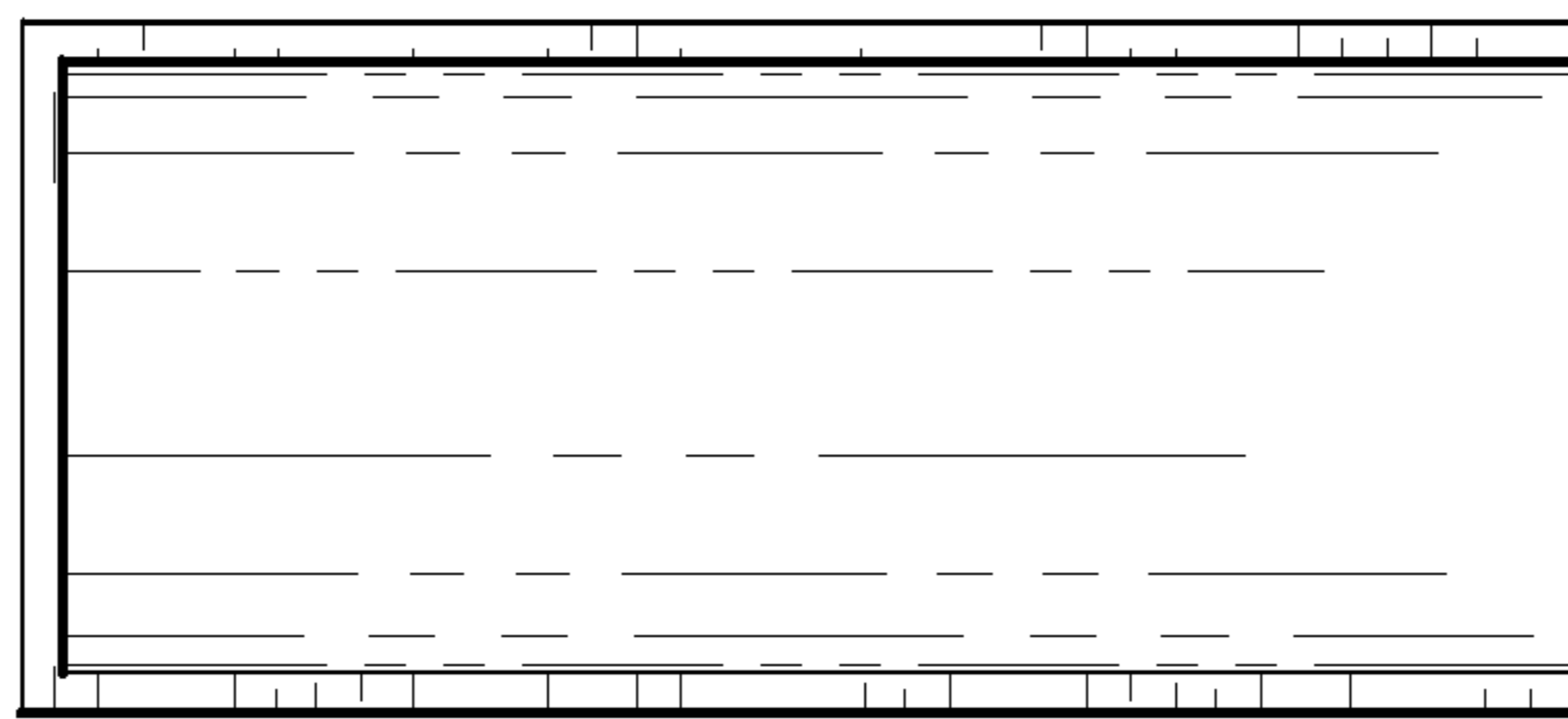
FIG. 6 is a bottom view of the wine cork holder.

**1 Claim, 1 Drawing Sheet**

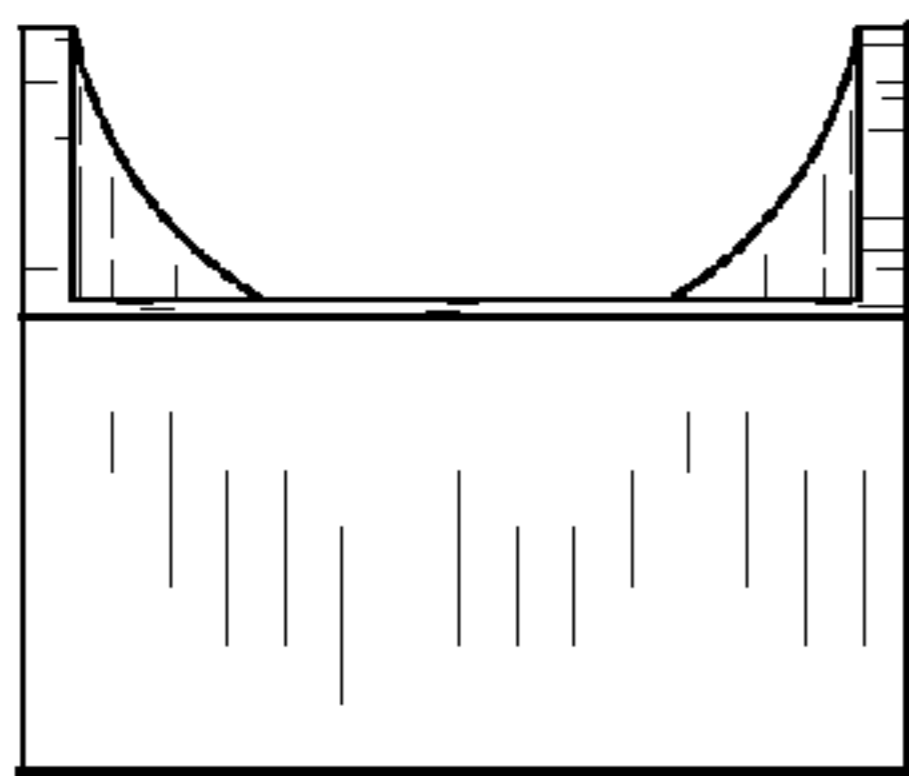




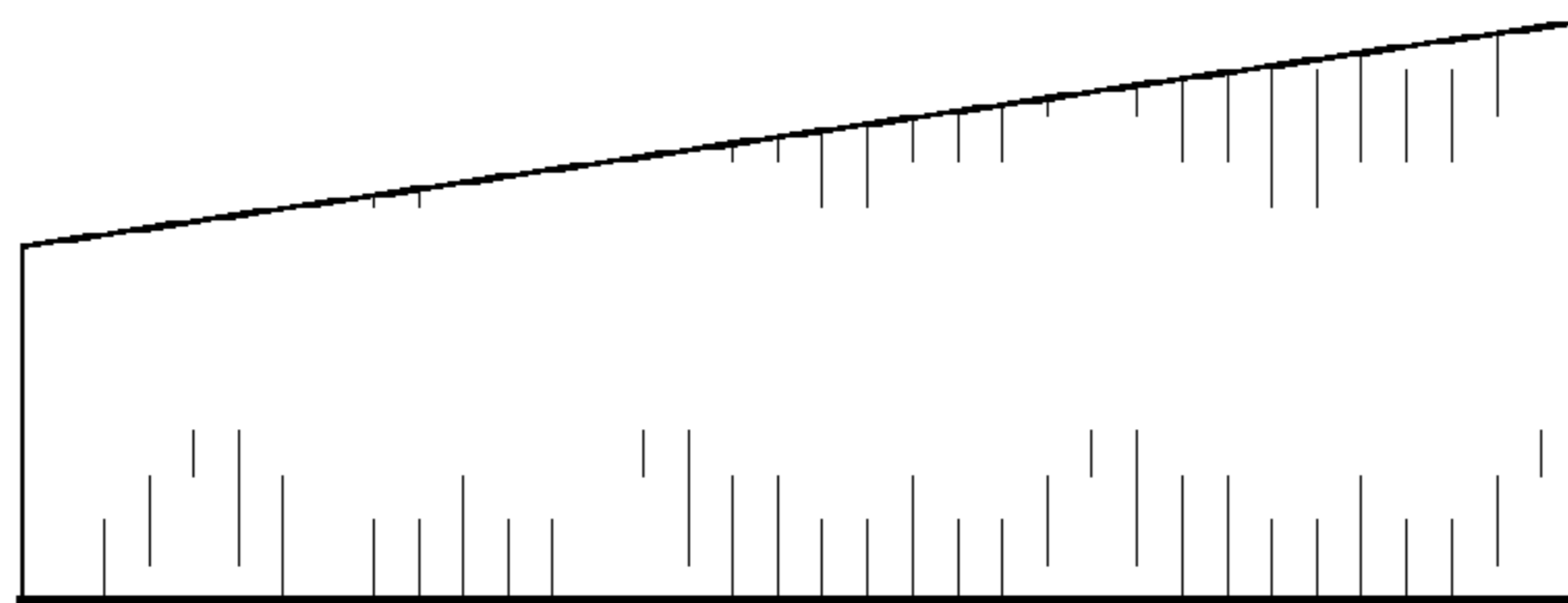
**Fig. 1**



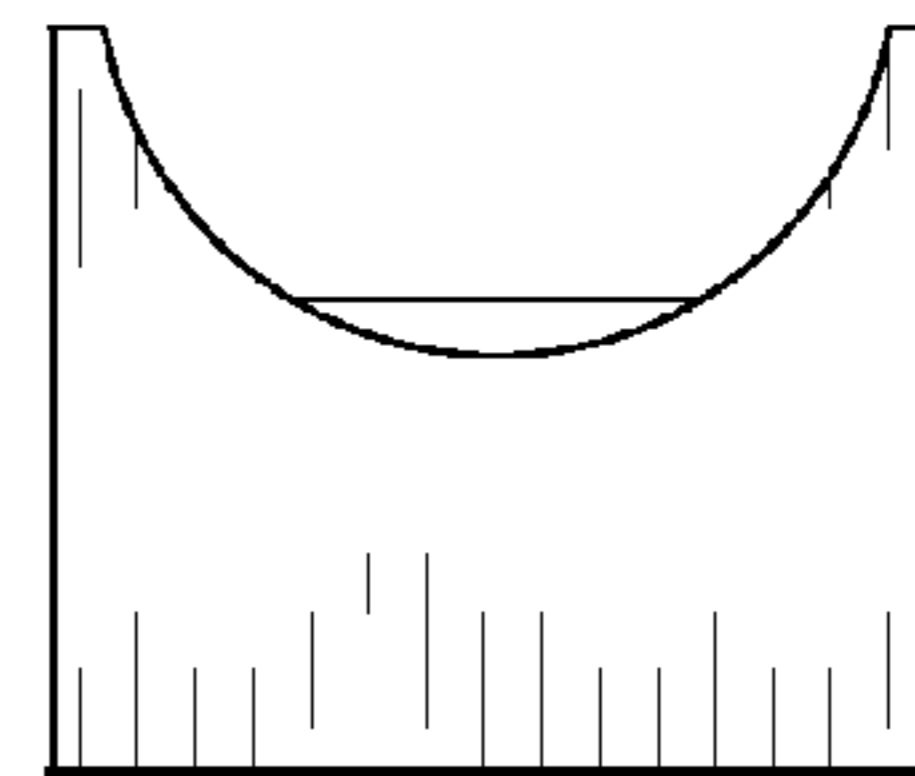
**Fig. 2**



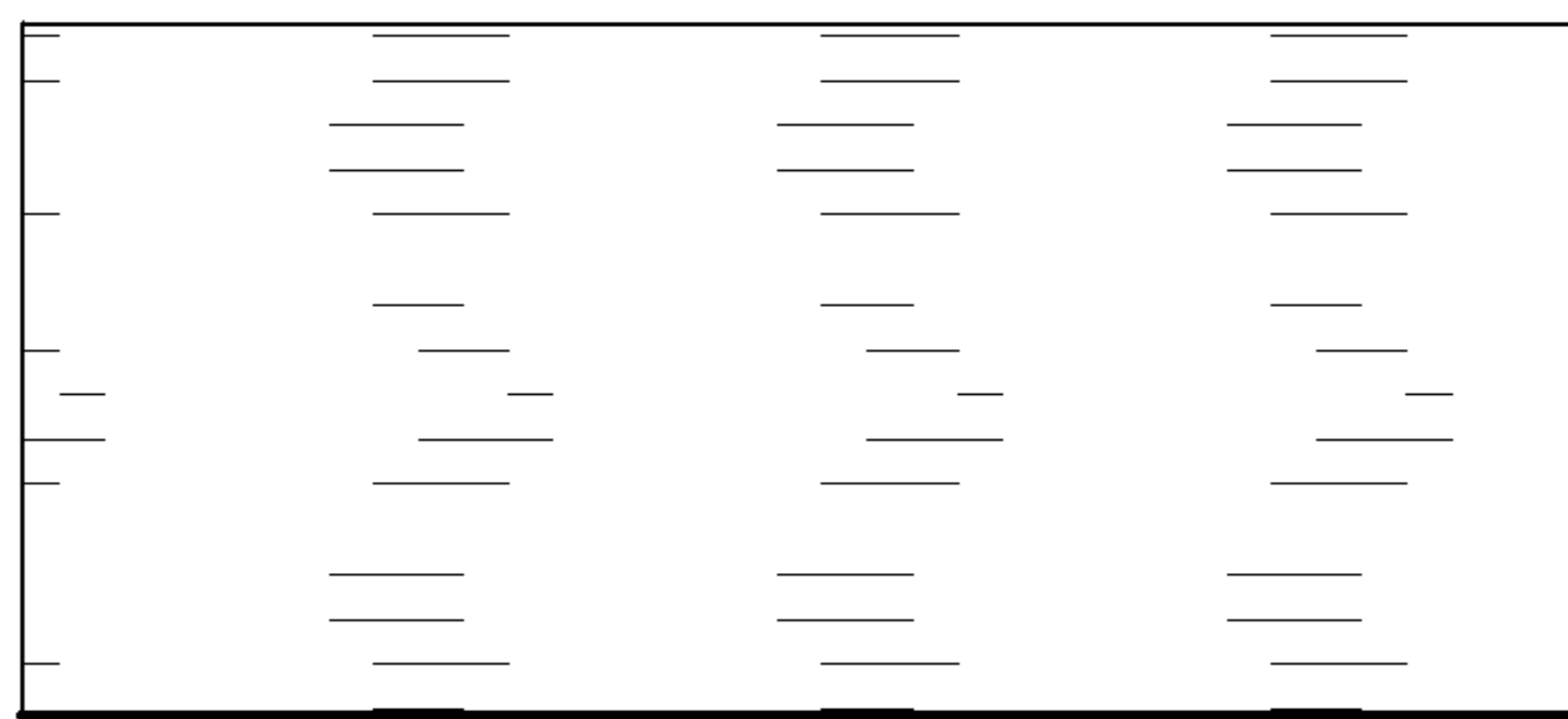
**Fig. 4**



**Fig. 3**



**Fig. 5**



**Fig. 6**

UNITED STATES PATENT AND TRADEMARK OFFICE  
**CERTIFICATE OF CORRECTION**

PATENT NO. : D580,230 S  
APPLICATION NO. : 29/302161  
DATED : November 11, 2008  
INVENTOR(S) : Arney

Page 1 of 3

It is certified that error appears in the above-identified patent and that said Letters Patent is hereby corrected as shown below:

The title page showing an illustrative figure, should be deleted and substitute therefor the attached title page.

Delete drawing sheet 1 and substitute therefor the drawing sheet consisting of Figs 1-6 as attached.

Signed and Sealed this  
Thirteenth Day of September, 2011

A handwritten signature in black ink that reads "David J. Kappos". The signature is written in a cursive style with a large initial "D" and "K".

David J. Kappos  
*Director of the United States Patent and Trademark Office*

(12) **United States Design Patent**  
**Arney**

(10) **Patent No.:** **US D580,230 S**  
(45) **Date of Patent:** **\*\* Nov. 11, 2008**

(54) **WINE CORK HOLDER**

(76) Inventor: **Damon S. Arney**, P.O. Box 240654,  
 Memphis, TN (US) 38124

(\*\*) Term: **14 Years**

(21) Appl. No.: **29/302,161**

(22) Filed: **Jan. 11, 2008**

**Related U.S. Application Data**

(63) Continuation of application No. 10/735,547, filed on  
 Dec. 12, 2003.

(51) **LOC (8) Cl.** ..... **07-99**

(52) **U.S. Cl.** ..... **D7/601; D7/619.1**

(58) **Field of Classification Search** ..... **D7/590,**  
**D7/601, 619.1-625, 605-608; D24/199,**  
**D24/183; 222/185.1; 211/74; 248/105,**  
**248/694, 146, 148, 311.2, 312, 176.2**  
 See application file for complete search history.

(56) **References Cited**

**U.S. PATENT DOCUMENTS**

1,886,619 A \* 11/1932 Arnone ..... 248/105  
 2,526,121 A \* 10/1950 Curry et al. .... 248/102  
 3,814,293 A \* 6/1974 Daves ..... 222/173  
 D359,804 S \* 6/1995 Carter ..... D24/183  
 D361,131 S \* 8/1995 Leopold ..... D24/199  
 D363,549 S \* 10/1995 Ye ..... D24/199

D379,660 S \* 6/1997 Aube ..... D24/199  
 D425,375 S \* 5/2000 Parham ..... D7/619.1  
 D439,671 S \* 3/2001 Casillo et al. .... D24/199  
 6,832,744 B1 \* 12/2004 Pitt ..... 248/146

**FOREIGN PATENT DOCUMENTS**

FR 2610810 A1 8/1988  
 FR 2744613 A1 8/1997  
 FR 2855732 A1 12/2004

\* cited by examiner

*Primary Examiner* - Terry A Wallace

(74) *Attorney, Agent, or Firm* - Woodard, Emhardt, Moriarty,  
 McNett & Henry LLP

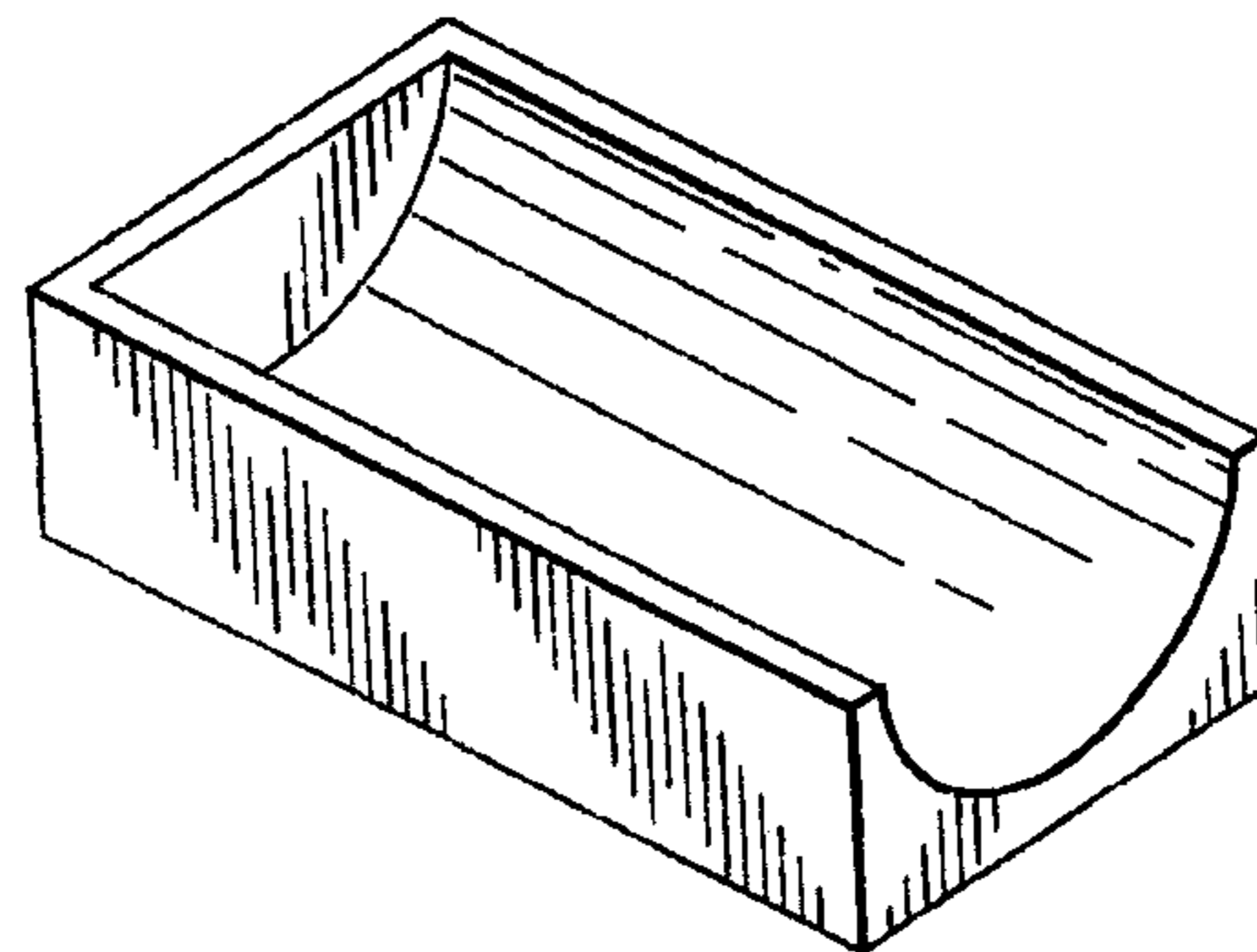
(57) **CLAIM**

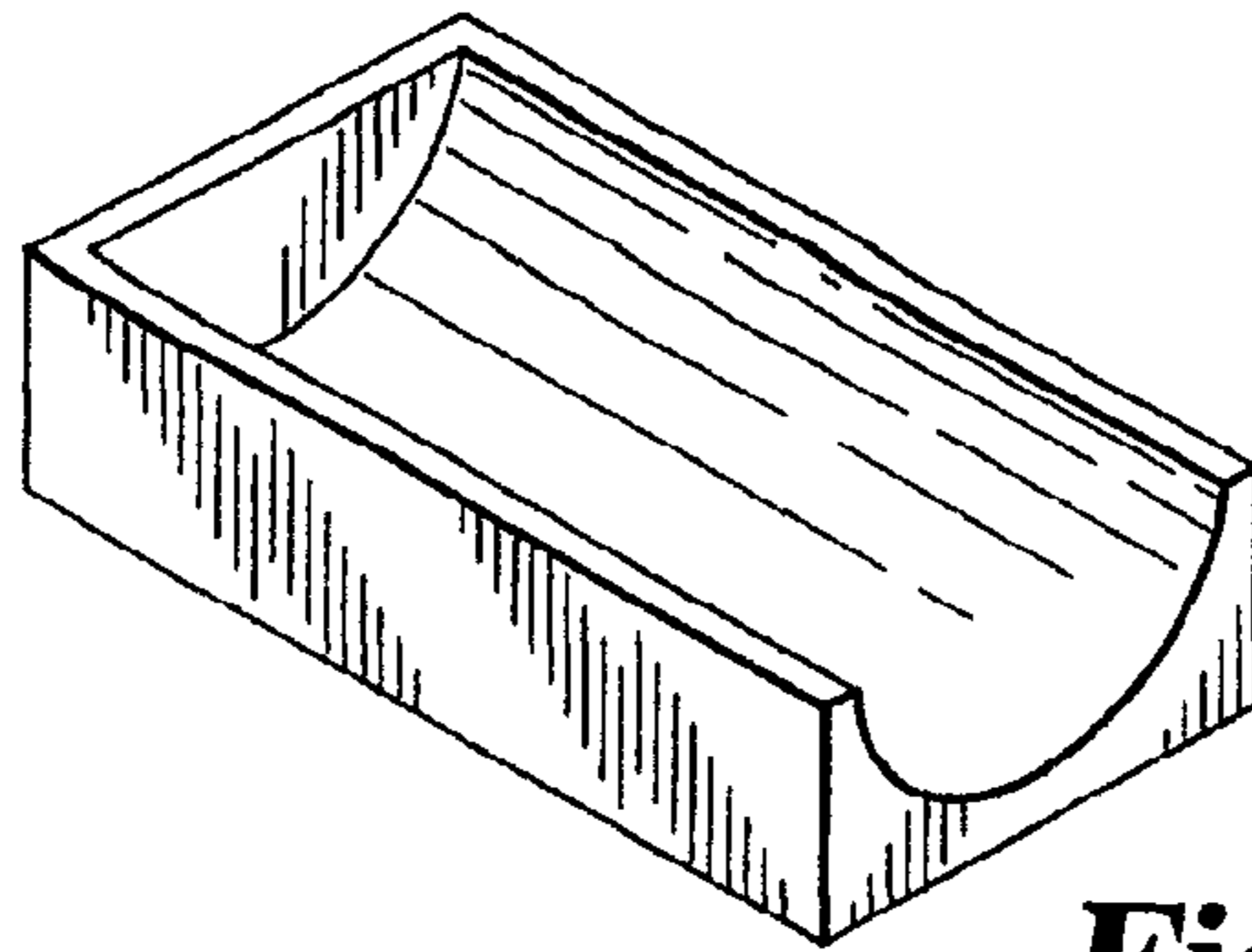
The ornamental design for a wine cork holder, as shown and  
 described.

**DESCRIPTION**

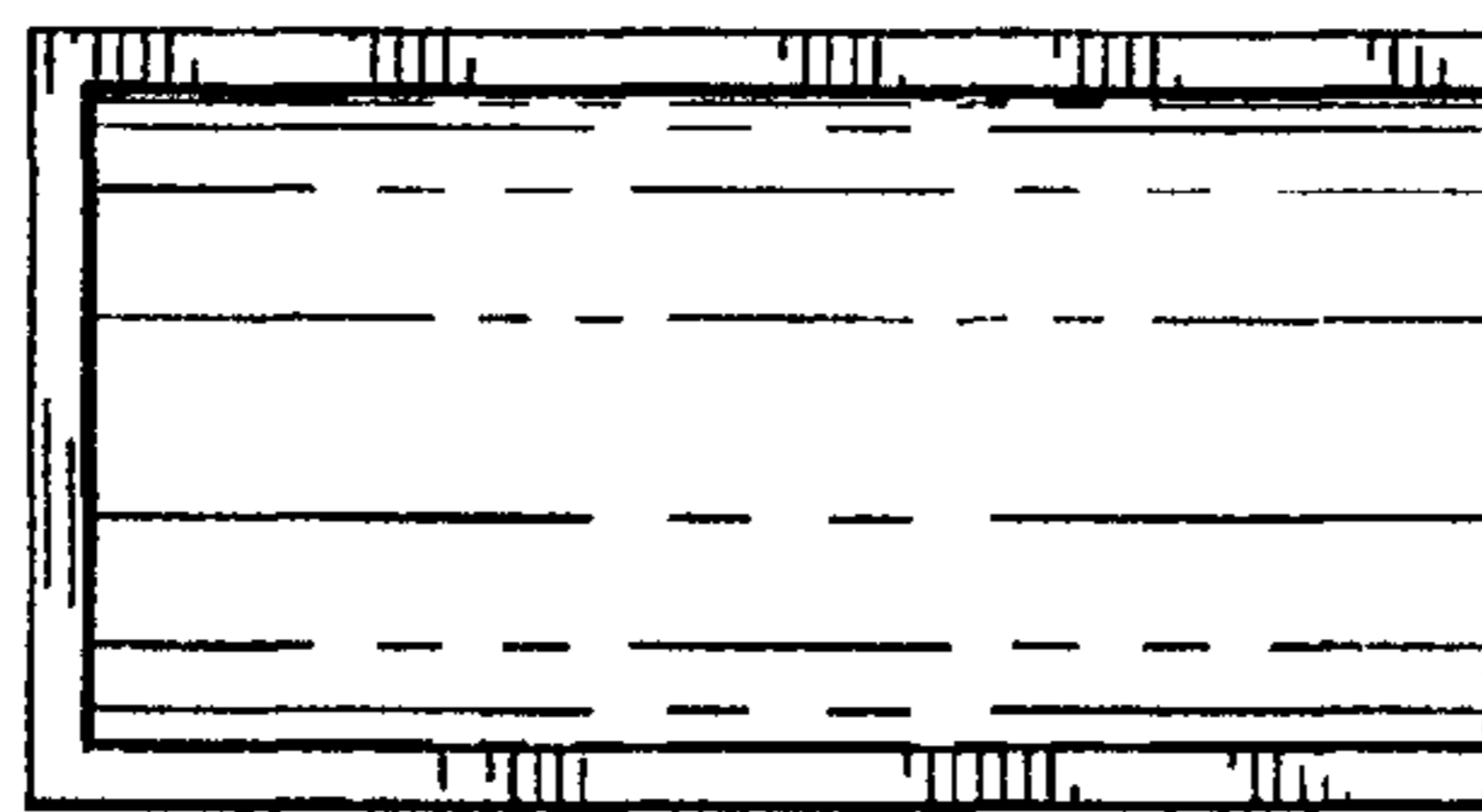
FIG. 1 is a perspective view of the wine cork holder.  
 FIG. 2 is a top plan view of the wine cork holder.  
 FIG. 3 is a side view of the wine cork holder, the opposite side  
 view being a mirror image.  
 FIG. 4 is a front end view of the wine cork holder.  
 FIG. 5 is a rear end view of the wine cork holder; and,  
 FIG. 6 is a bottom view of the wine cork holder.

**1 Claim, 1 Drawing Sheet**

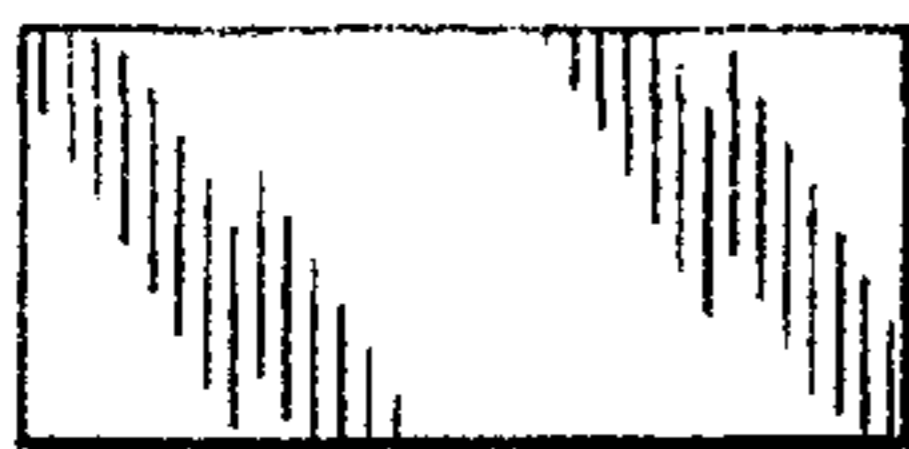




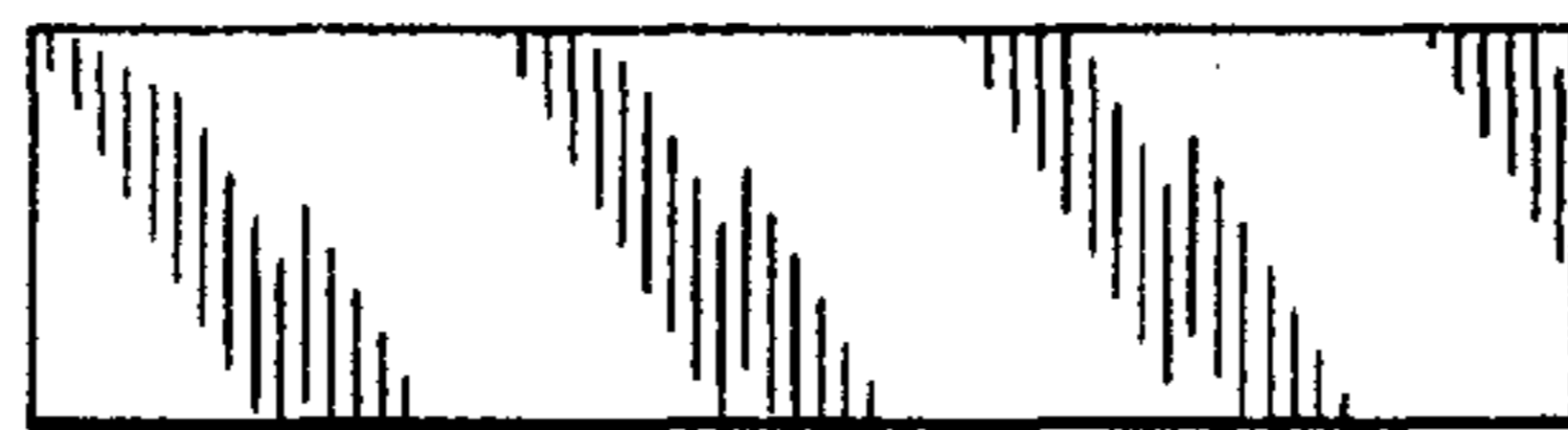
**Fig. 1**



**Fig. 2**



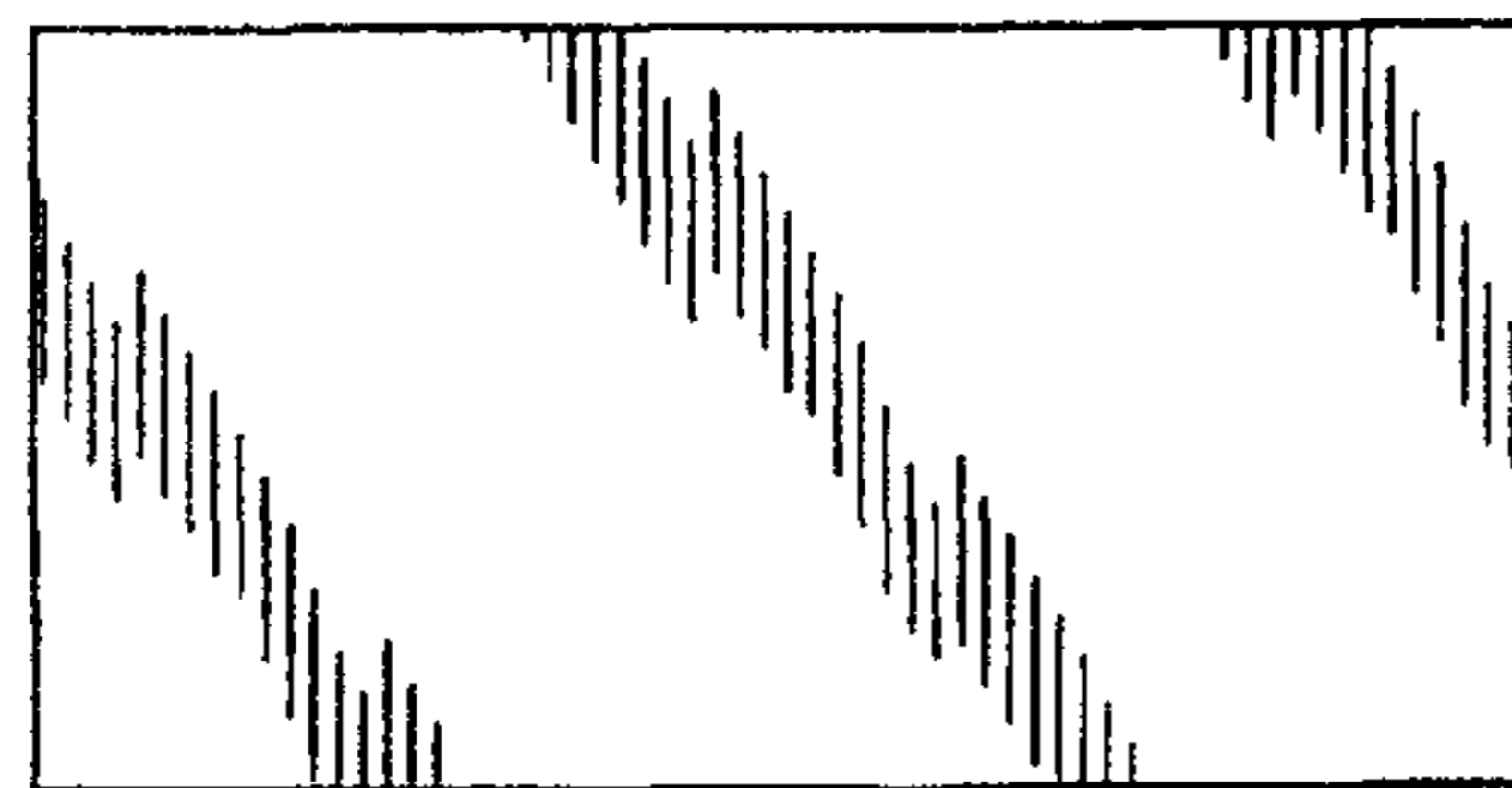
**Fig. 4**



**Fig. 3**



**Fig. 5**



**Fig. 6**