



US00D580227S

(12) **United States Design Patent**
Roth et al.

(10) **Patent No.:** **US D580,227 S**
(45) **Date of Patent:** **** Nov. 11, 2008**

(54) **BOTTLE**

(76) Inventors: **Donna Roth**, 10 Cordage Park Cir.,
Suite 212, Plymouth, MA (US) 02360;
Henry Roth, 10 Cordage Park Cir., Suite
212, Plymouth, MA (US) 02360

(**) Term: **14 Years**

(21) Appl. No.: **29/306,000**

(22) Filed: **Mar. 31, 2008**

Related U.S. Application Data

(63) Continuation of application No. 29/277,092, filed on
Feb. 13, 2007, now Pat. No. Des. 565,353.

(51) **LOC (8) Cl.** **07-01**

(52) **U.S. Cl.** **D7/510; D7/511; D7/392.1;**
D7/900

(58) **Field of Classification Search** **D7/510,**
D7/511, 300.1, 598, 629, 392.1, 396.2, 900;
D9/503, 447, 446, 443, 449; 222/547; 220/713,
220/705, 710, 714, 254.1

See application file for complete search history.

(56) **References Cited**

U.S. PATENT DOCUMENTS

2,527,991	A	10/1950	Greenberg	
3,239,089	A	3/1966	Moylan	
3,820,692	A *	6/1974	Swett	222/547
D233,116	S *	10/1974	Swett	D7/300.1
4,473,540	A	9/1984	Fredette	
4,779,722	A	10/1988	Hall	
5,275,298	A	1/1994	Holley, Jr. et al.	
D371,304	S *	7/1996	Onneweer	D9/503
5,540,341	A	7/1996	Holley et al.	
D412,640	S *	8/1999	Much	D7/392

D421,547	S *	3/2000	Demers	D7/510
D478,779	S *	8/2003	Stamper et al.	D7/510
6,705,491	B1	3/2004	Lizerbram et al.	
D499,342	S *	12/2004	Klitsner et al.	D9/502
D508,185	S *	8/2005	Gauss	D7/392.1
6,945,393	B2	9/2005	Cho	
D510,235	S *	10/2005	Sorensen	D7/510
D510,270	S *	10/2005	Khalifa	D9/503
D528,862	S *	9/2006	Li	D7/510
D543,454	S *	5/2007	Leoncavallo et al.	D9/449
D549,048	S *	8/2007	Duke et al.	D7/510
D555,428	S *	11/2007	Tulett	D7/510
D565,353	S *	4/2008	Roth et al.	D7/510
D571,147	S *	6/2008	Rohe	D7/392.1

* cited by examiner

Primary Examiner—Marianne Pandozzi

(74) *Attorney, Agent, or Firm*—Garcia-Zamor IP Law; Ruy
M. Garcia-Zamor

(57) **CLAIM**

We claim a new ornamental design for a bottle, as shown and
described.

DESCRIPTION

FIG. 1 is a perspective view of a bottle showing our new
design;

FIG. 2 is a front elevational view thereof;

FIG. 3 is a left side elevational view, the right side being a
mirror image thereof;

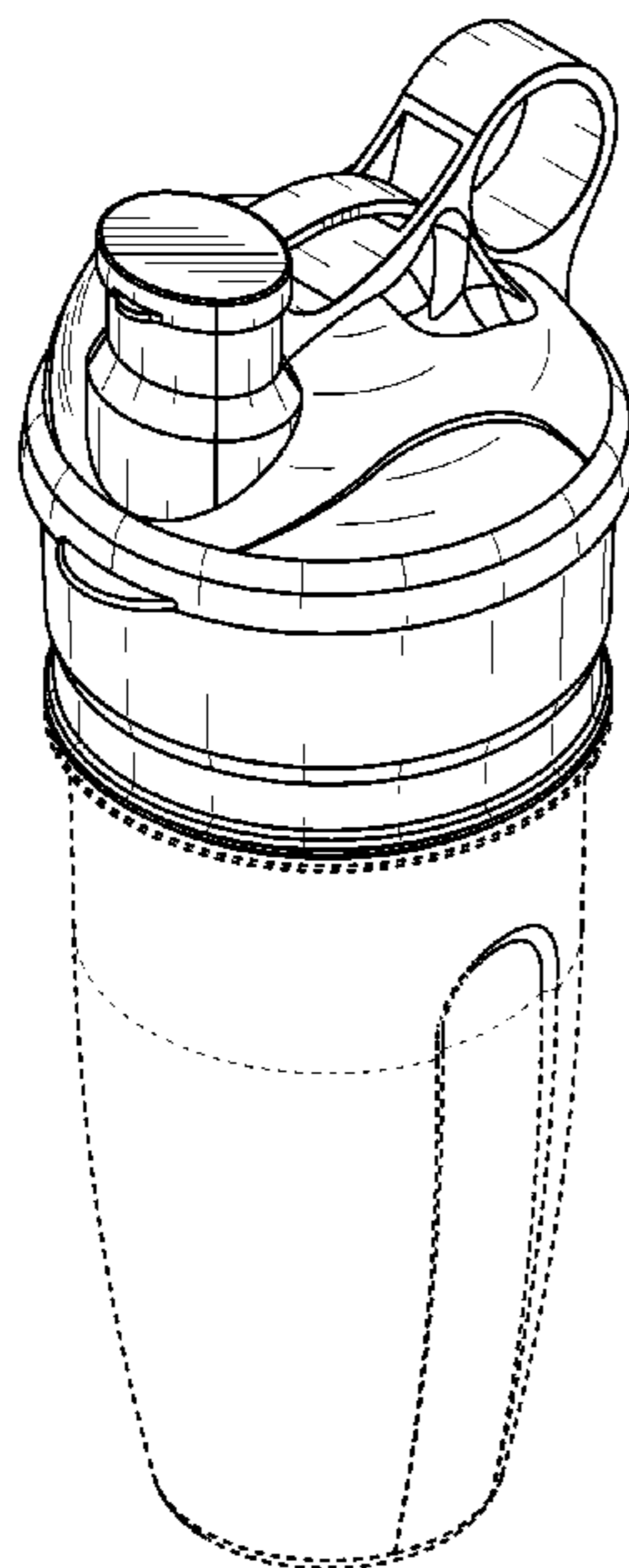
FIG. 4 is a rear elevational view thereof;

FIG. 5 is a top plan view thereof; and,

FIG. 6 is a bottom plan view thereof.

The broken lines in the drawings are included for the purpose
of illustration and form no part of the claimed design.

1 Claim, 3 Drawing Sheets



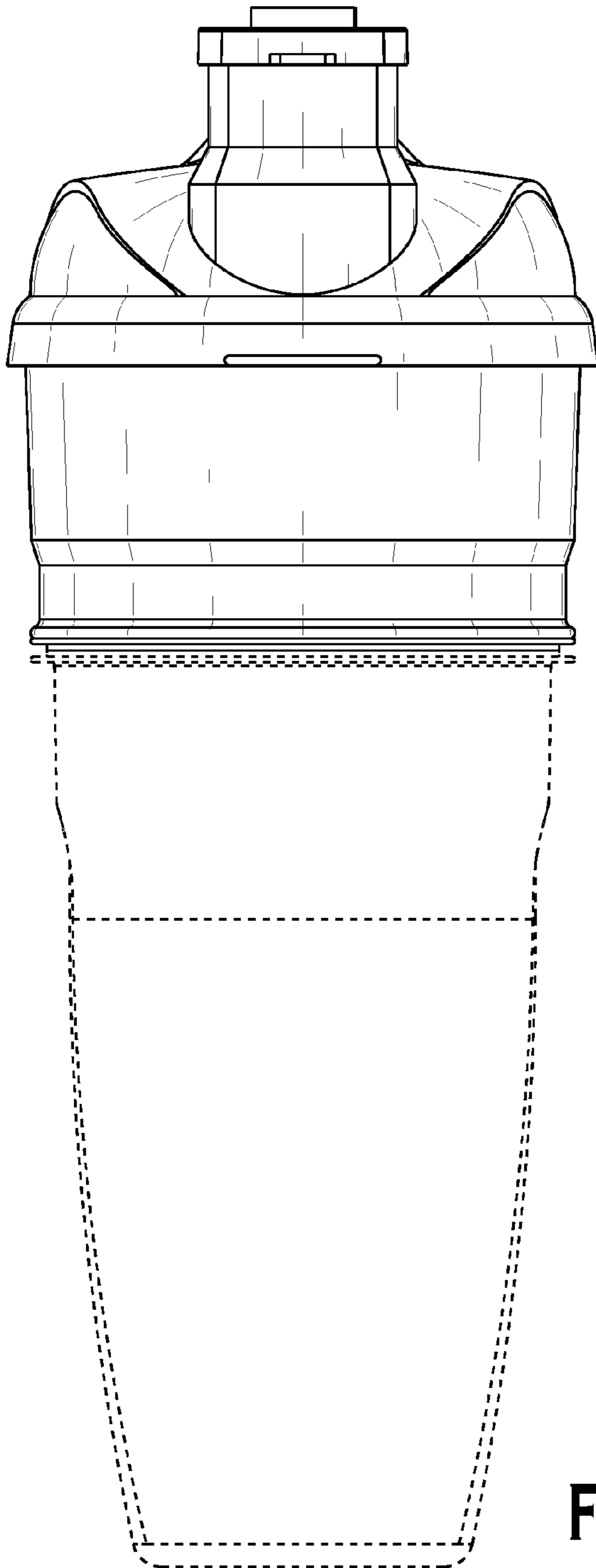


FIG. 2

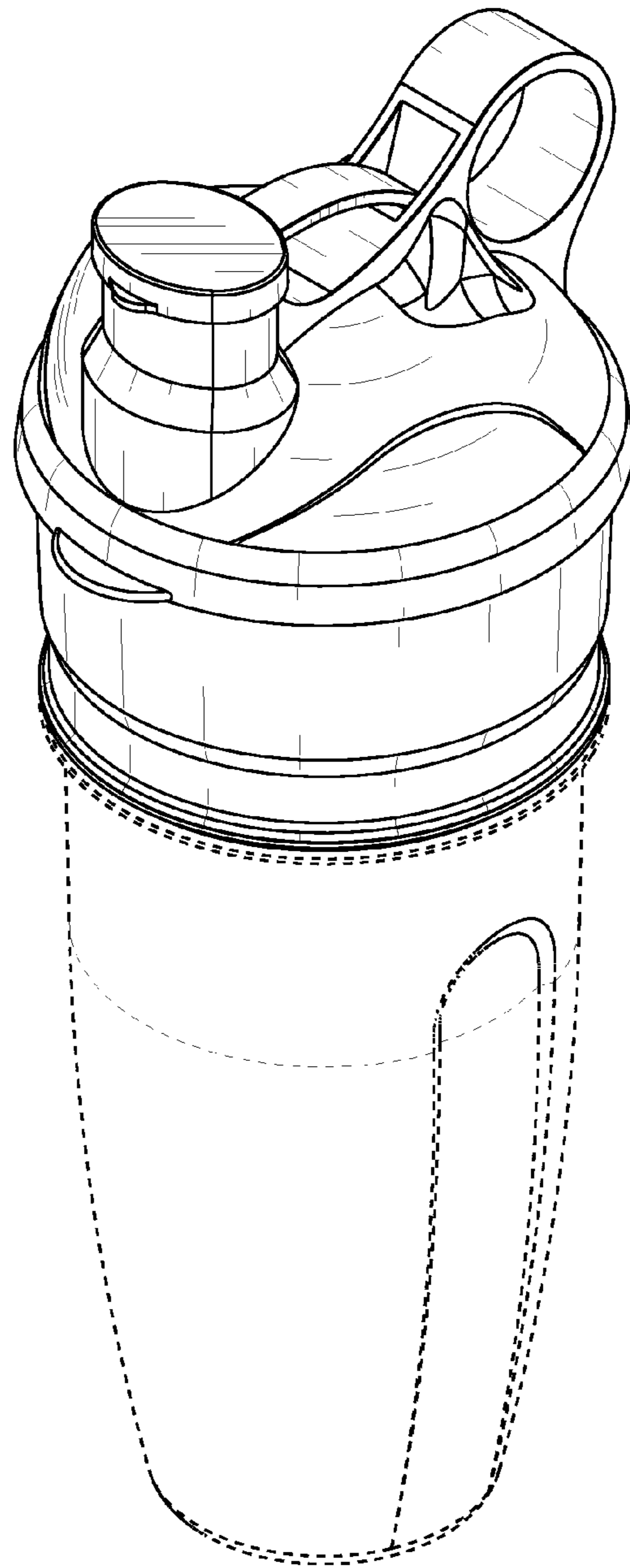


FIG. 1

FIG. 3

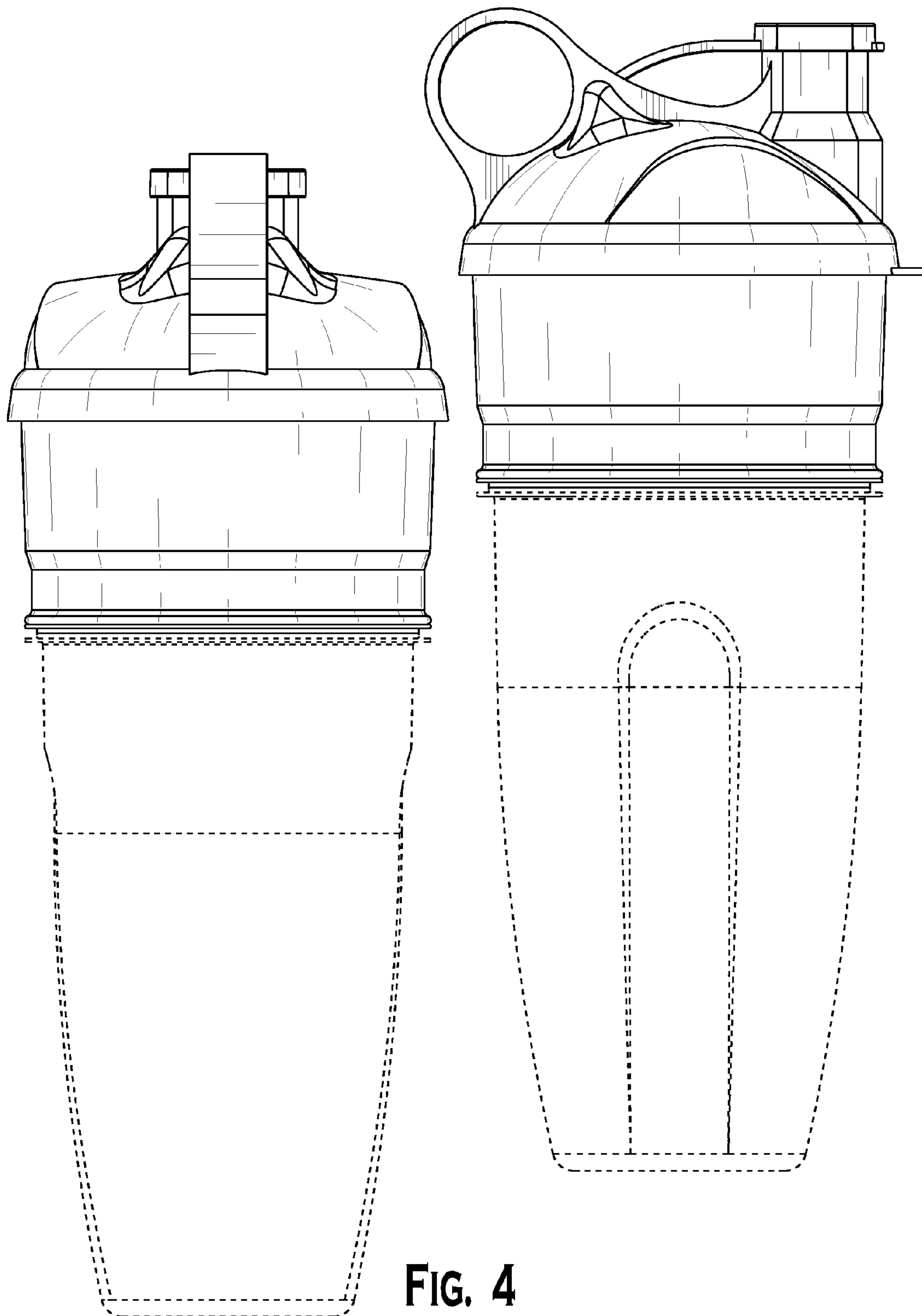


FIG. 4

FIG. 5

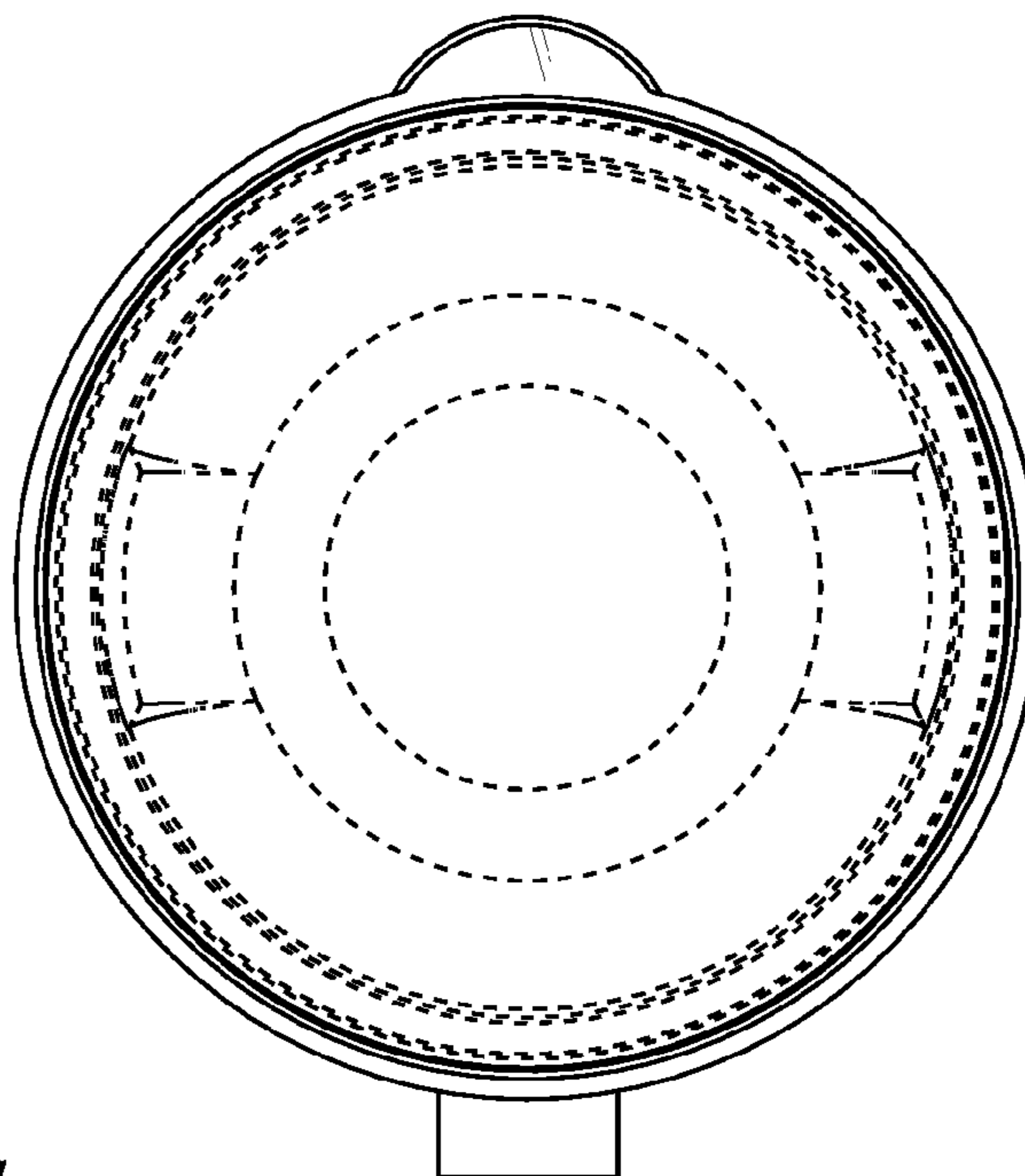
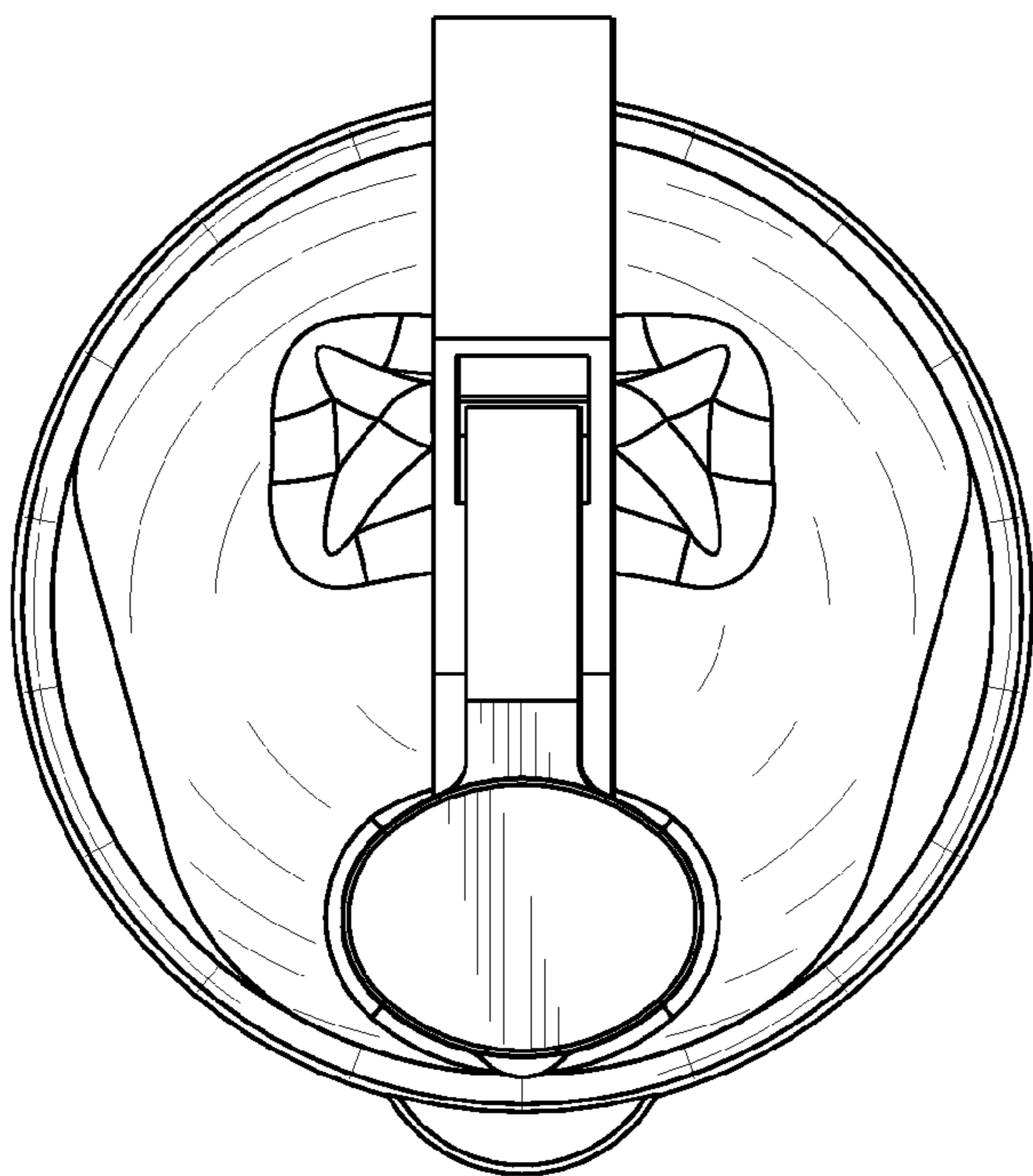


FIG. 6