



US00D580221S

(12) **United States Design Patent**  
**McKenzie**

(10) **Patent No.:** **US D580,221 S**

(45) **Date of Patent:** **\*\* Nov. 11, 2008**

(54) **COMBINED BARBEQUE SHELVES AND CONSOLE**

(75) Inventor: **Stuart T. McKenzie**, Wyevale (CA)

(73) Assignee: **Wolfedale Engineering Limited**,  
Brampton, Ontario (CA)

(\*\*) Term: **14 Years**

(21) Appl. No.: **29/284,629**

(22) Filed: **Sep. 12, 2007**

(30) **Foreign Application Priority Data**

Sep. 5, 2007 (CA) ..... 122177

(51) **LOC (8) Cl.** ..... **07-02**

(52) **U.S. Cl.** ..... **D7/402**

(58) **Field of Classification Search** ..... D7/332,  
D7/334, 335, 336, 402-405; 126/25 R, 25 A,  
126/25 AA, 9 R, 37 R, 41 R, 40, 50, 304 R,  
126/305, 268, 276; 312/249.8, 249.13

See application file for complete search history.

(56) **References Cited**

**U.S. PATENT DOCUMENTS**

0,164,190 A	6/1875	Lamb
D029,440 S	10/1898	Herr
0,913,149 A	2/1909	McNulty
1,181,138 A	5/1916	Herzberger
1,187,009 A	6/1916	Pickup
1,187,037 A	6/1916	Burd
1,420,043 A	6/1922	Lasbury
1,545,494 A	7/1925	Holl
1,550,698 A	8/1925	Hazelett
D193,052 S	6/1962	Szenher
D193,179 S	7/1962	Rutman et al.
3,046,970 A	7/1962	Seaman
3,224,357 A	12/1965	Rubens
3,386,432 A	6/1968	Hanson

3,455,291 A	7/1969	Glass
3,538,908 A	11/1970	Well et al.
3,567,065 A	3/1971	Dinse
4,094,295 A	6/1978	Boswell et al.
4,430,559 A	2/1984	Rabay
4,499,630 A	2/1985	Harris et al.
D282,619 S	2/1986	Fitzgerald et al.
4,649,599 A	3/1987	Beller
4,667,652 A	5/1987	Bunton
4,924,846 A	5/1990	Peacock et al.
4,955,358 A	9/1990	Harris et al.
4,979,437 A	12/1990	Giebel
4,985,068 A	1/1991	Hoffmann et al.
5,050,577 A	9/1991	Baynes et al.

(Continued)

**FOREIGN PATENT DOCUMENTS**

CA	2046027	7/1991
DE	8800260.8	10/1988

*Primary Examiner*—Ruth McInroy

(74) *Attorney, Agent, or Firm*—Taylor & Aust, P.C.

(57) **CLAIM**

The ornamental design for a combined barbeque shelves and console, as shown and described.

**DESCRIPTION**

FIG. 1 is a perspective view of a combined barbeque shelves and console showing my new design;

FIG. 2 is a top view thereof;

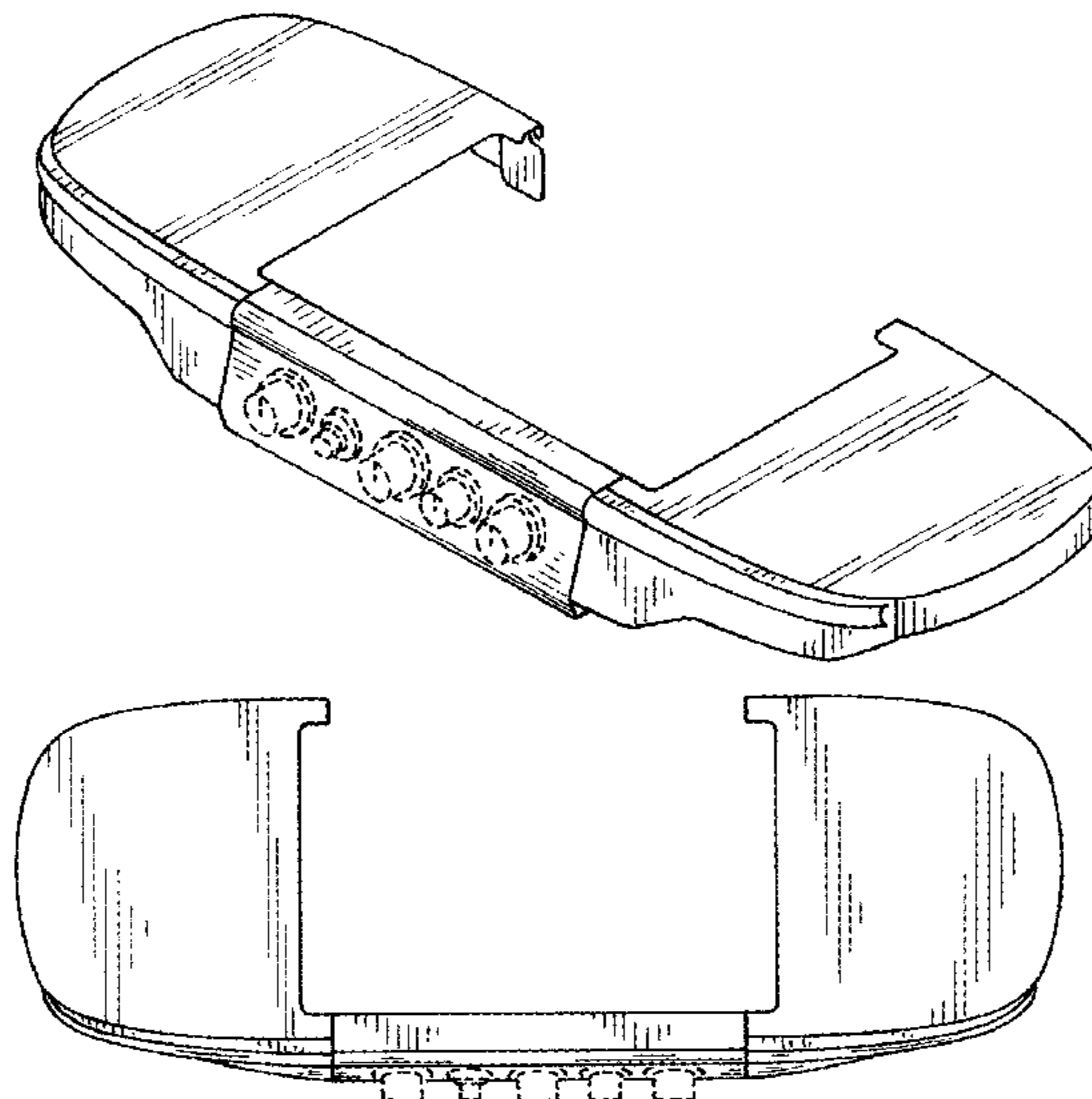
FIG. 3 is a front view thereof;

FIG. 4 is a side view thereof, the opposite side being a mirror image; and,

FIG. 5 is a perspective view thereof, in use with a barbeque.

The details shown in broken lines in the drawings form no part of the claimed design.

**1 Claim, 2 Drawing Sheets**



# US D580,221 S

Page 2

U.S. PATENT DOCUMENTS					
5,076,256	A	12/1991 Raymer et al.	D467,489	S	12/2002 Rubinson
5,076,257	A	12/1991 Raymer et al.	D470,357	S	2/2003 Home
5,088,470	A	2/1992 James, Jr. et al.	D471,057	S	3/2003 Chung
5,090,398	A	2/1992 Raymer et al.	D471,761	S	3/2003 Choi et al.
5,277,106	A	1/1994 Raymer et al.	D472,422	S	4/2003 Pai
5,323,758	A	6/1994 Minshall et al.	D472,756	S	4/2003 Pai
5,408,985	A	4/1995 Giebel et al.	D474,070	S	5/2003 McKenzie
5,471,916	A	12/1995 Bird et al.	6,561,179	B1	5/2003 Brake et al.
5,499,427	A	3/1996 Bowman	6,687,957	B2	2/2004 Worrell
5,572,983	A	11/1996 Schlosser et al.	D491,414	S	6/2004 Nichols et al.
5,579,755	A	12/1996 Johnston	D493,090	S	7/2004 Chen et al.
D377,734	S	2/1997 Bird et al.	D494,009	S	8/2004 Joss et al.
5,623,866	A	4/1997 Home	D503,065	S	3/2005 Pai
5,666,941	A	9/1997 Teufel et al.	D508,366	S	8/2005 Wilsdorf
D404,963	S	2/1999 Schlosser et al.	D511,083	S	11/2005 Gurzenda et al.
D406,009	S	2/1999 Wagner et al.	D516,367	S	3/2006 Lutz et al.
D406,488	S	3/1999 Bates et al.	D520,298	S	5/2006 Huegerich et al.
D406,489	S	3/1999 Williams et al.	D521,308	S	5/2006 Tseng
5,927,267	A	7/1999 McKenzie	D525,829	S	8/2006 Chung
5,941,228	A	8/1999 McKenzie	D526,842	S	8/2006 Chung
D416,164	S	11/1999 Wagner et al.	D536,927	S	2/2007 McKenzie
D425,366	S	5/2000 Pai	D538,592	S	3/2007 McKenzie
D426,101	S	6/2000 Pai	D538,593	S	3/2007 McKenzie
D426,741	S	6/2000 Pai	D539,087	S	3/2007 McKenzie
D433,279	S	11/2000 Schlosser et al.	D541,575	S *	5/2007 Lutz ..... D7/334
D435,396	S	12/2000 Wagner	D541,588	S	5/2007 McKenzie
D436,004	S	1/2001 Wagner	D542,089	S *	5/2007 McKenzie ..... D7/402
D436,498	S	1/2001 Carlson et al.	D546,622	S *	7/2007 McKenzie ..... D7/402
D437,177	S	2/2001 Giebel et al.	D547,594	S *	7/2007 Pai ..... D7/334
D438,059	S	2/2001 Wanger et al.	D549,511	S *	8/2007 Chung ..... D7/334
D438,060	S	2/2001 Campbell et al.	D549,514	S *	8/2007 Chung ..... D7/334
D438,427	S	3/2001 Campbell et al.	D549,521	S	8/2007 McKenzie
D449,492	S	10/2001 Wagner et al.	D559,619	S *	1/2008 McKenzie ..... D7/402
D454,031	S	3/2002 Crookshanks	D560,418	S *	1/2008 Chau et al. .... D7/334
D460,312	S	7/2002 Fry et al.	2002/0020303	A1	2/2002 Johnson
D460,313	S	7/2002 Crookshanks et al.	2002/0020405	A1	2/2002 Coleman et al.
D461,359	S	8/2002 Coleman et al.	2003/0029436	A1	2/2003 Carden et al.
D462,227	S	9/2002 Alden et al.	2003/0110591	A1	6/2003 Christensen et al.
D462,234	S	9/2002 Alden et al.	2003/0154971	A1	8/2003 Chapman
D462,564	S	9/2002 Brake et al.	2004/0154608	A1	8/2004 Ward et al.
6,463,630	B1	10/2002 Howie, Jr.			

\* cited by examiner

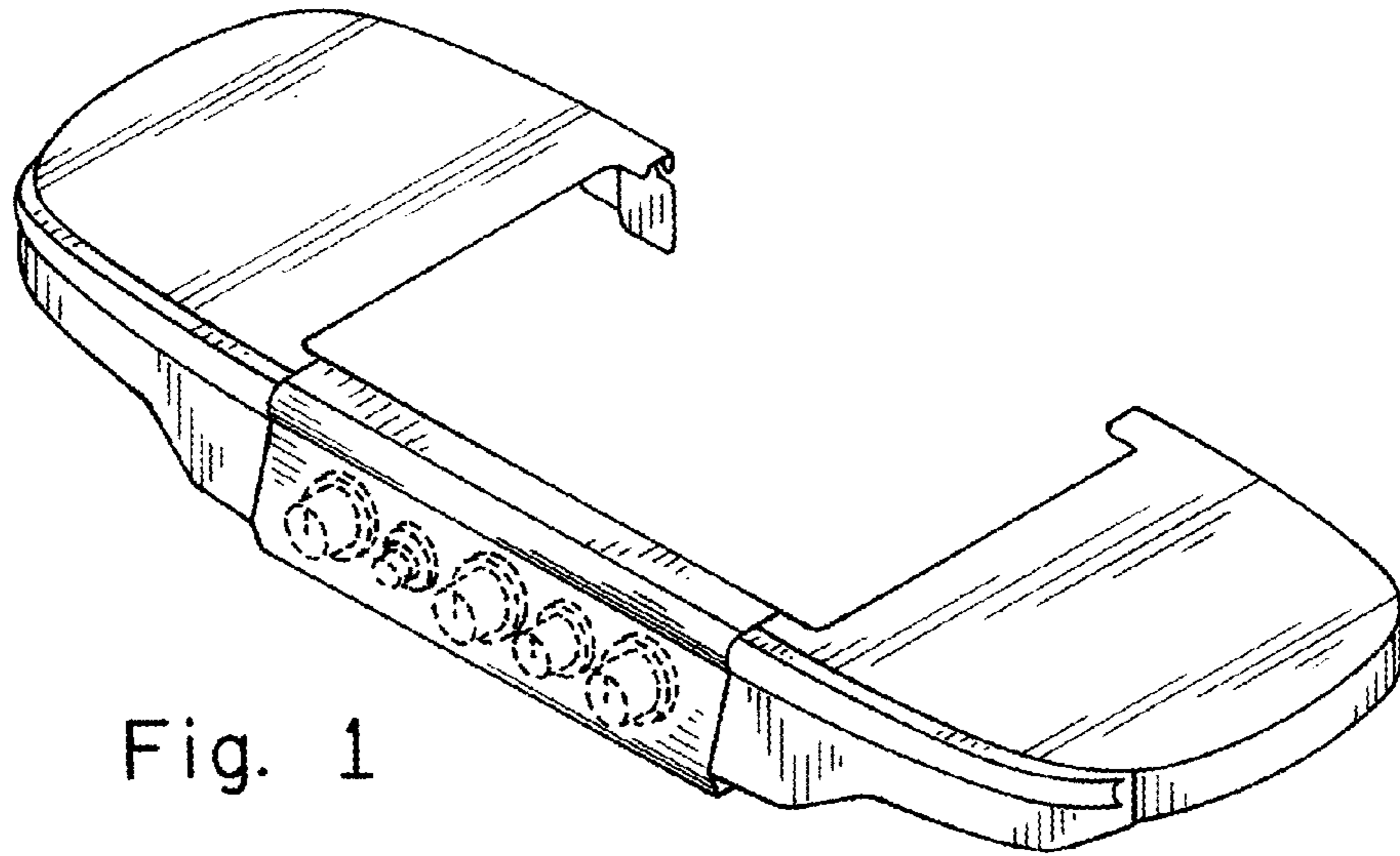


Fig. 1

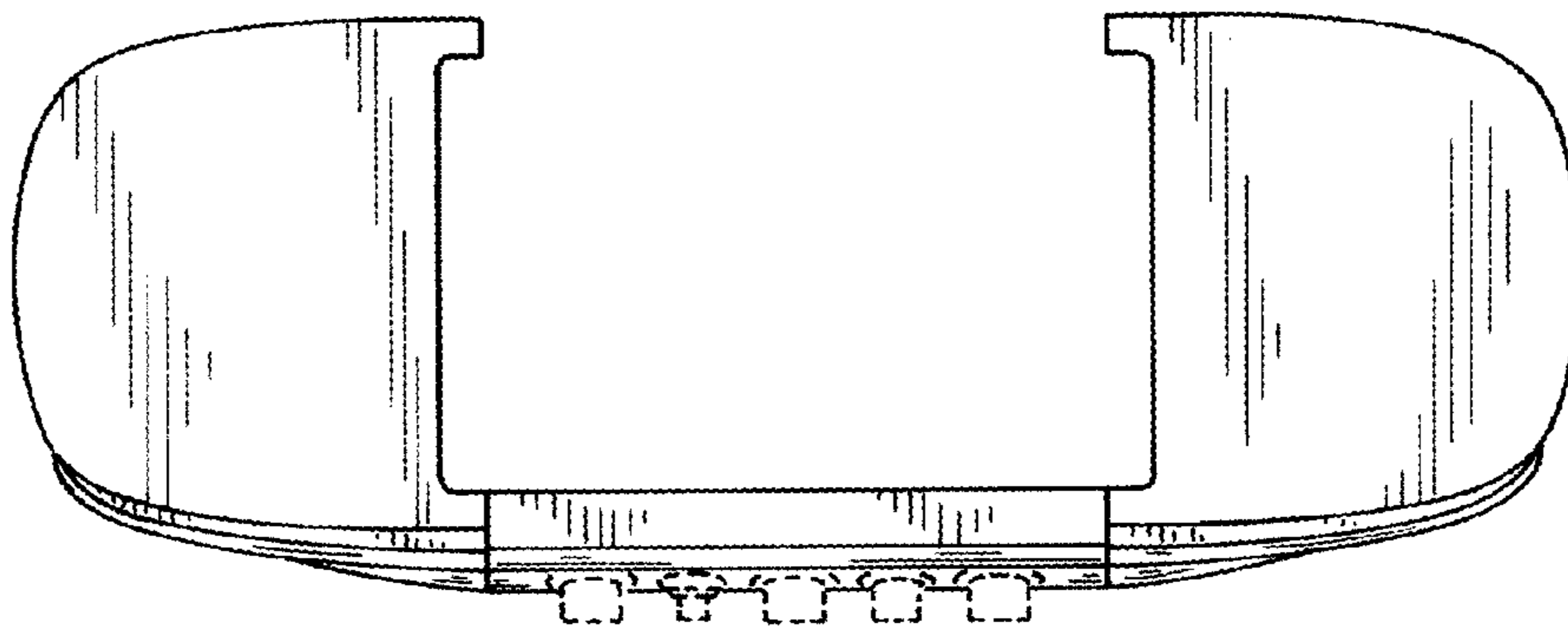


Fig. 2

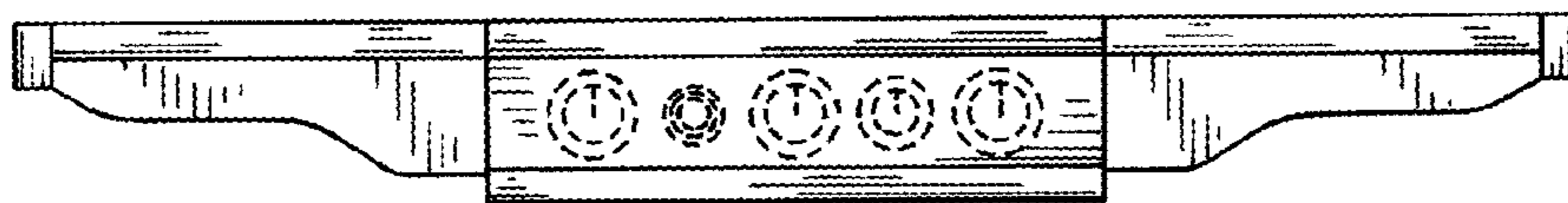


Fig. 3



Fig. 4

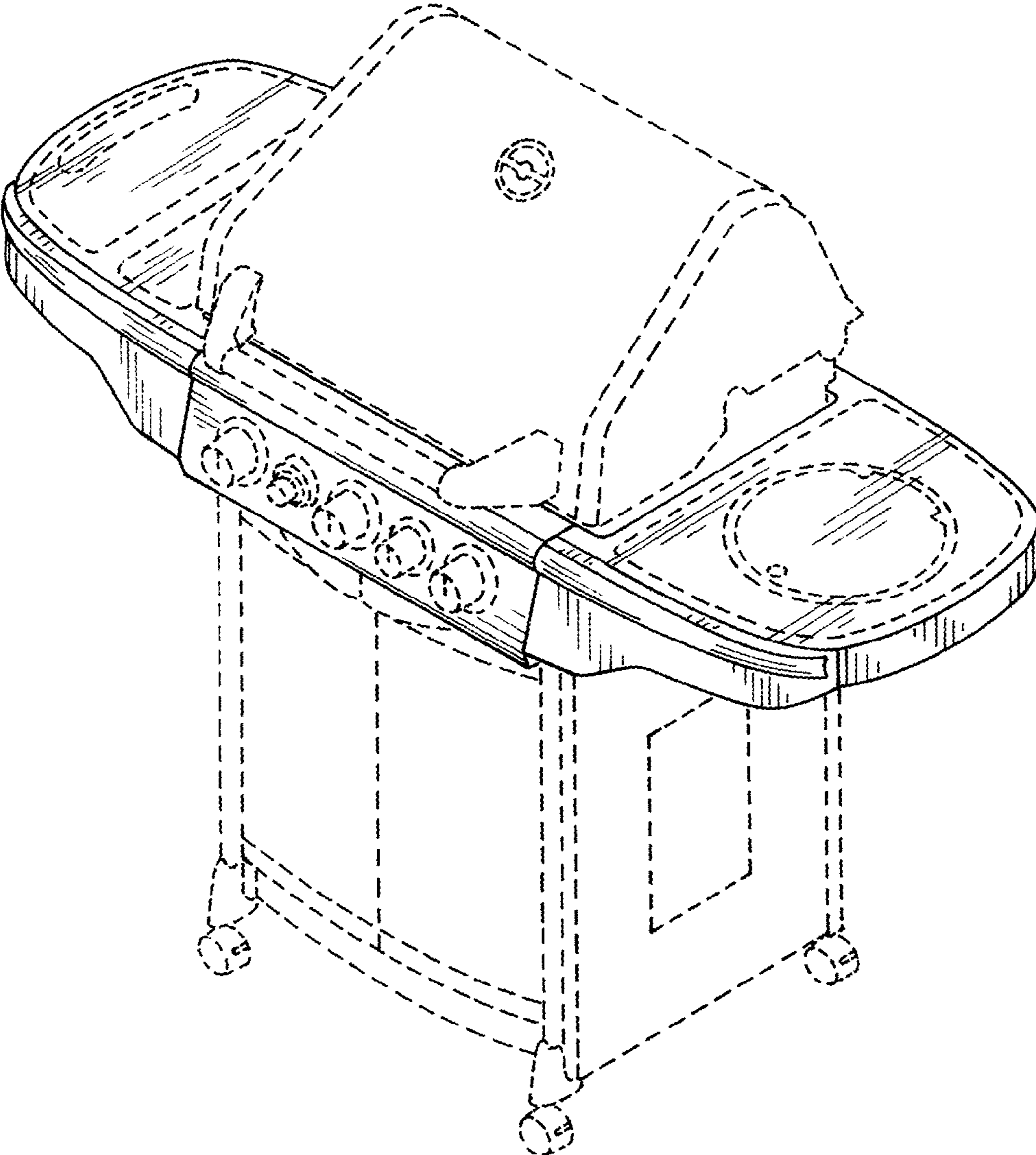


Fig. 5