



US00D580220S

(12) **United States Design Patent**
McKenzie

(10) **Patent No.:** **US D580,220 S**

(45) **Date of Patent:** **** Nov. 11, 2008**

(54) **BARBEQUE LID**

(75) Inventor: **Stuart T. McKenzie**, Wyevale (CA)

(73) Assignee: **Wolfedale Engineering Limited**,
Ontario (CA)

(**) Term: **14 Years**

(21) Appl. No.: **29/284,625**

(22) Filed: **Sep. 12, 2007**

(30) **Foreign Application Priority Data**

Sep. 5, 2007 (CA) 122176

(51) **LOC (8) Cl.** **07-02**

(52) **U.S. Cl.** **D7/402**

(58) **Field of Classification Search** D7/332-337,
D7/402-405; 99/425, 447, 450; 126/25 R,
126/29-30, 25 A, 25 AA, 9 R, 9 B, 8, 38,
126/41 R, 40, 50, 506, 144, 211, 304 R, 305 R;
248/188.7, 165, 121, 431

See application file for complete search history.

(56) **References Cited**

U.S. PATENT DOCUMENTS

0,164,190 A	6/1875	Lamb
D029,440 S	10/1898	Herr
0,913,149 A	2/1909	McNulty
1,181,138 A	5/1916	Herzberger
1,187,009 A	6/1916	Pickup
1,187,037 A	6/1916	Burd
1,420,043 A	6/1922	Lasbury
1,545,494 A	7/1925	Holl
1,550,698 A	8/1925	Hazelett
D193,052 S	6/1962	Szenher
D193,179 S	7/1962	Rutman et al.
3,046,970 A	7/1962	Seaman
3,224,357 A	12/1965	Rubens
3,386,432 A	6/1968	Hanson
3,455,291 A	7/1969	Glass
3,538,908 A	11/1970	Well et al.
3,567,065 A	3/1971	Dinse
4,094,295 A	6/1978	Boswell et al.

4,430,559 A	2/1984	Rabay
4,499,630 A	2/1985	Harris et al.
D282,619 S	2/1986	Fitzgerald et al.
4,649,599 A	3/1987	Beller
4,667,652 A	5/1987	Bunton
4,924,846 A	5/1990	Peacock et al.

(Continued)

FOREIGN PATENT DOCUMENTS

CA 2046027 1/1992

(Continued)

Primary Examiner—Ruth McInroy
(74) *Attorney, Agent, or Firm*—Taylor & Aust, P.C.

(57) **CLAIM**

The ornamental design for barbecue lid, as shown and described.

DESCRIPTION

FIG. 1 is a perspective view of a barbecue lid showing my new design;

FIG. 2 is a top view thereof;

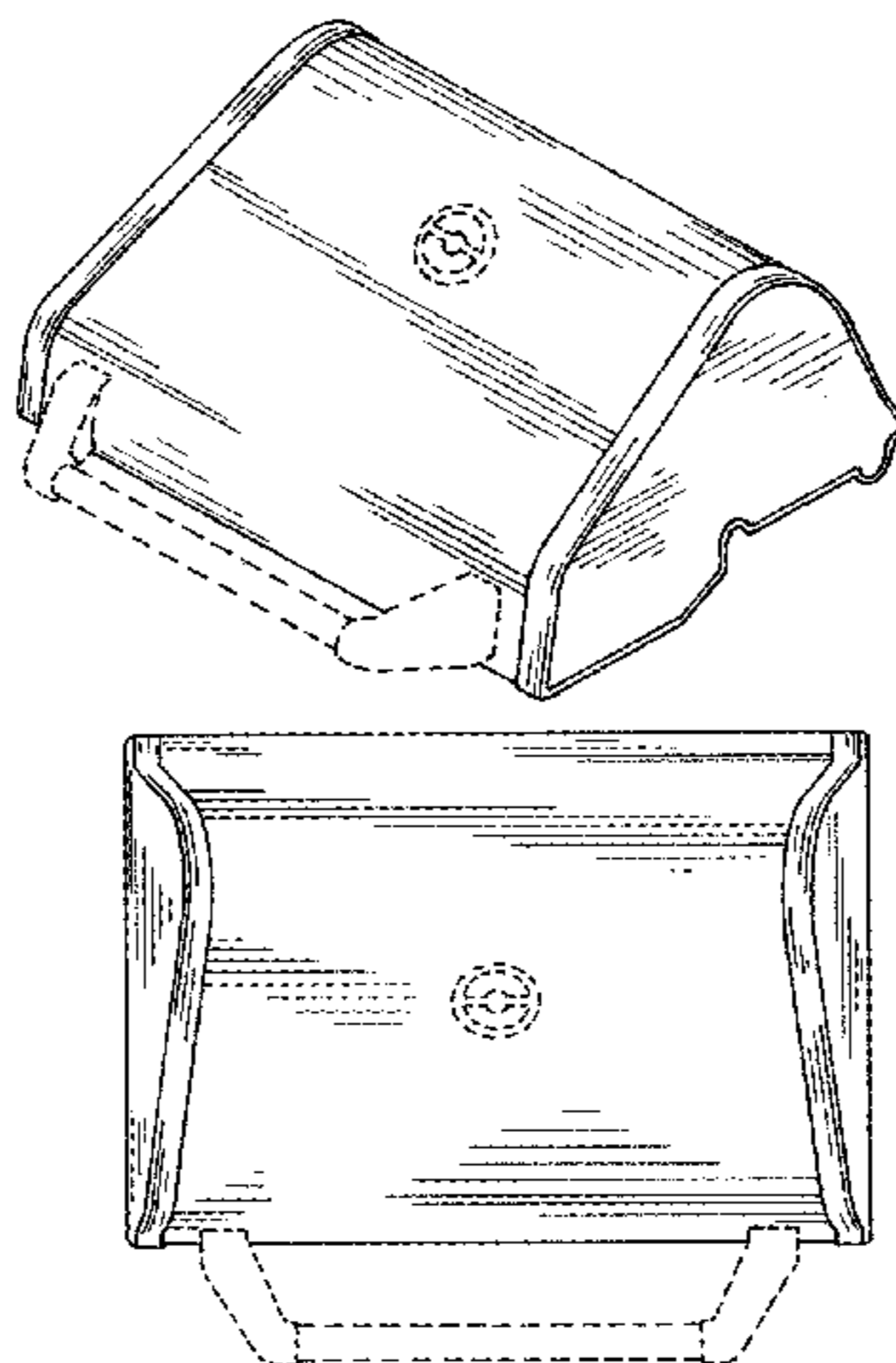
FIG. 3 is a front view thereof;

FIG. 4 is a side view thereof, the opposite side being a mirror image; and,

FIG. 5 is a perspective view of the barbecue lid of FIG. 1, shown in use with a barbecue.

The details shown in broken lines form no part of the claimed design.

1 Claim, 2 Drawing Sheets



US D580,220 S

Page 2

U.S. PATENT DOCUMENTS

4,955,358 A 9/1990 Harris et al.
 4,979,437 A 12/1990 Giebel
 4,985,068 A 1/1991 Hoffmann et al.
 5,050,577 A 9/1991 Baynes et al.
 5,076,256 A 12/1991 Raymer et al.
 5,076,257 A 12/1991 Raymer et al.
 5,088,470 A 2/1992 James, Jr. et al.
 5,090,398 A 2/1992 Raymer et al.
 D339,714 S * 9/1993 Leblanc et al. D7/334
 5,277,106 A 1/1994 Raymer et al.
 5,323,758 A 6/1994 Minshall et al.
 5,408,985 A 4/1995 Giebel et al.
 5,471,916 A 12/1995 Bird et al.
 5,499,427 A 3/1996 Bowman
 5,572,983 A 11/1996 Schlosser et al.
 5,579,755 A 12/1996 Johnston
 D377,734 S 2/1997 Bird et al.
 5,623,866 A 4/1997 Home
 5,666,941 A 9/1997 Teufel et al.
 D404,963 S 2/1999 Schlosser et al.
 D406,009 S 2/1999 Wagner et al.
 D406,488 S 3/1999 Bates et al.
 D406,489 S 3/1999 Williams et al.
 5,927,267 A 7/1999 McKenzie
 5,941,228 A 8/1999 McKenzie
 D416,164 S 11/1999 Wagner et al.
 5,996,573 A * 12/1999 Ganard et al. 126/41 R
 D425,366 S * 5/2000 Pai D7/402
 D426,101 S 6/2000 Pai
 D426,741 S 6/2000 Pai
 D433,279 S 11/2000 Schlosser et al.
 D435,396 S 12/2000 Wagner
 D436,004 S 1/2001 Wagner
 D436,498 S 1/2001 Carlson et al.
 D437,177 S 2/2001 Giebel et al.
 D438,059 S 2/2001 Wanger et al.
 D438,060 S 2/2001 Campbell et al.
 D438,427 S 3/2001 Campbell et al.
 D449,492 S 10/2001 Wagner et al.
 D454,031 S 3/2002 Crookshanks
 D460,312 S 7/2002 Fry et al.
 D460,313 S 7/2002 Crookshanks et al.
 D461,359 S 8/2002 Coleman et al.

D462,227 S 9/2002 Alden et al.
 D462,234 S 9/2002 Alden et al.
 D462,564 S 9/2002 Brake et al.
 6,463,630 B1 10/2002 Howie, Jr.
 D467,489 S 12/2002 Rubinson
 D470,357 S 2/2003 Home
 D471,057 S 3/2003 Chung
 D471,761 S 3/2003 Choi et al.
 D472,422 S 4/2003 Pai
 D472,756 S 4/2003 Pai
 D474,070 S 5/2003 McKenzie
 6,561,179 B1 5/2003 Brake et al.
 6,687,957 B2 2/2004 Worrell
 D491,414 S 6/2004 Nichols et al.
 D493,090 S 7/2004 Chen et al.
 D494,009 S 8/2004 Joss et al.
 D503,065 S 3/2005 Pai
 D508,366 S 8/2005 Wilsdorf
 D511,083 S 11/2005 Gurzenda et al.
 D516,367 S 3/2006 Lutz et al.
 D520,298 S 5/2006 Huegerich et al.
 D521,308 S 5/2006 Tseng
 D525,829 S 8/2006 Chung
 D526,842 S 8/2006 Chung
 D536,927 S 2/2007 McKenzie
 D538,592 S 3/2007 McKenzie
 D538,593 S 3/2007 McKenzie
 D539,087 S 3/2007 McKenzie
 D541,588 S 5/2007 McKenzie
 D549,521 S 8/2007 McKenzie
 D557,068 S * 12/2007 Lee D7/402
 D557,557 S * 12/2007 Chau et al. D7/402
 D562,629 S * 2/2008 Chau et al. D7/402
 D562,630 S * 2/2008 Chau et al. D7/402
 2002/0020303 A1 2/2002 Johnson
 2002/0020405 A1 2/2002 Coleman et al.
 2003/0029436 A1 2/2003 Carden et al.
 2003/0110591 A1 6/2003 Christensen et al.
 2003/0154971 A1 8/2003 Chapman
 2004/0154608 A1 8/2004 Ward et al.

FOREIGN PATENT DOCUMENTS

DE 8800260.8 10/1988

* cited by examiner

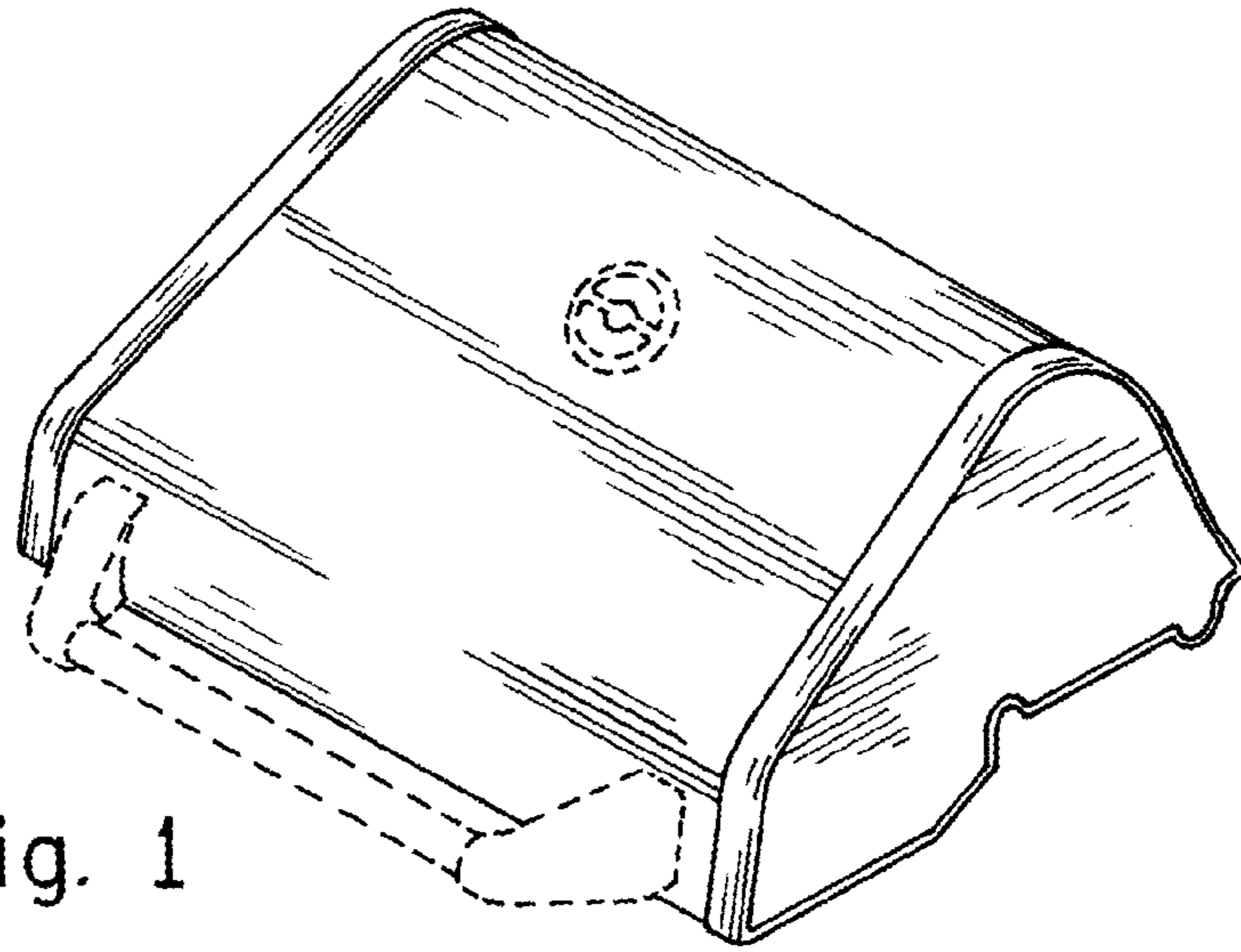


Fig. 1

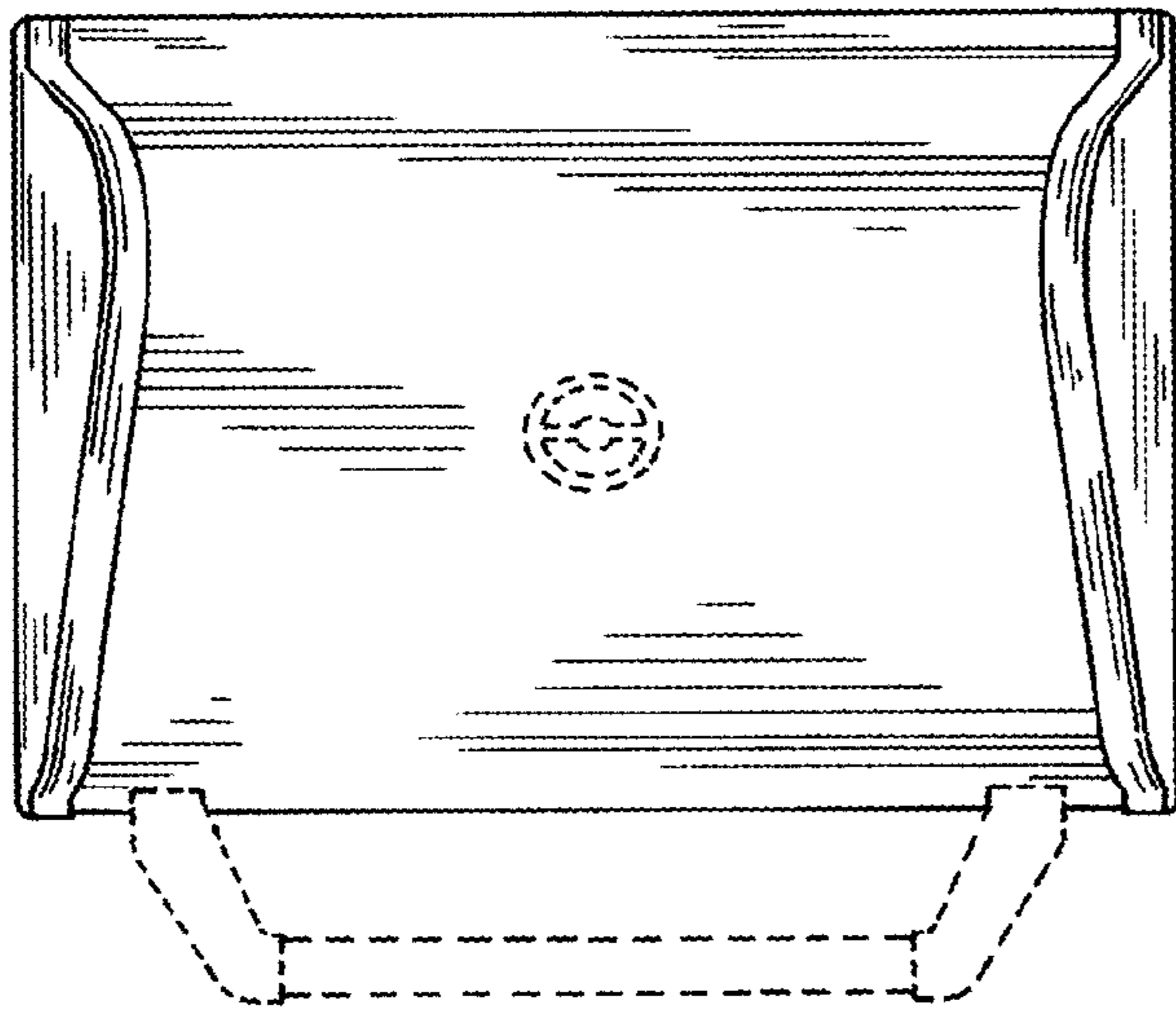


Fig. 2

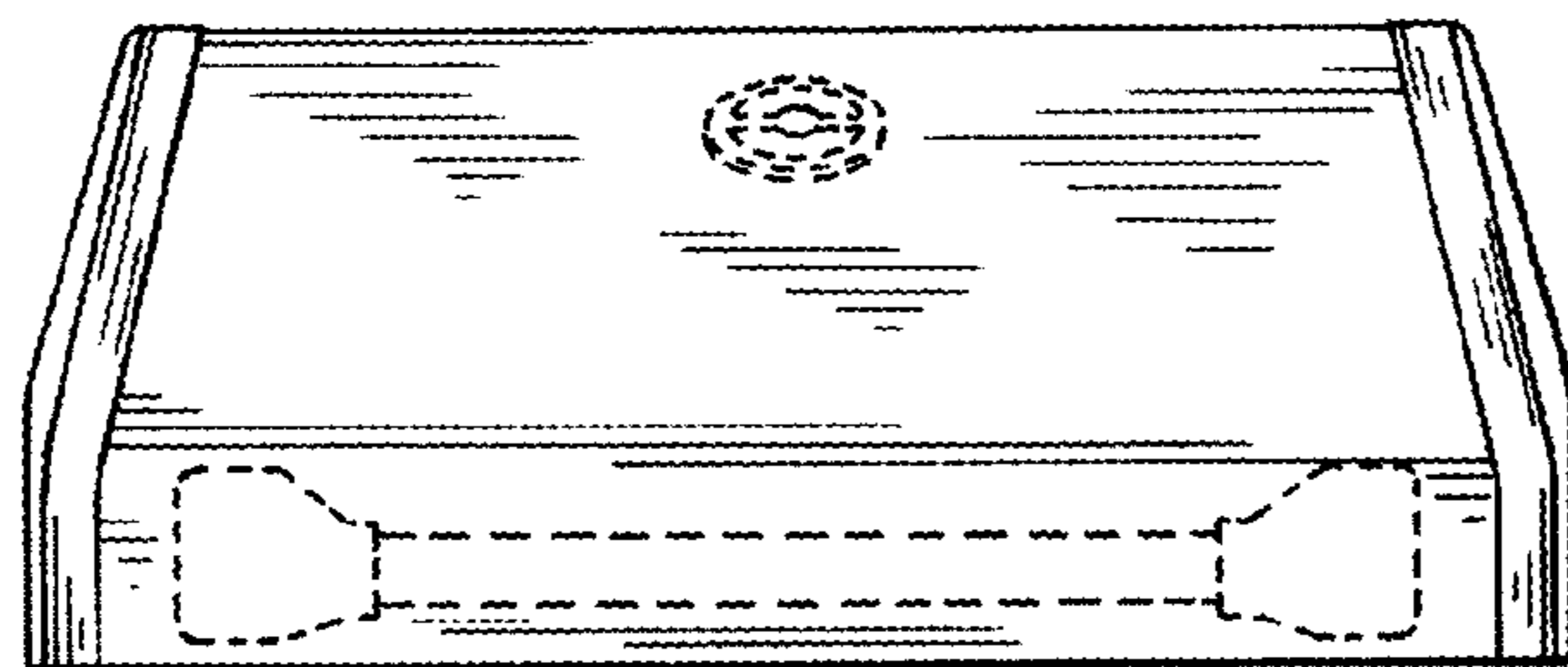


Fig. 3

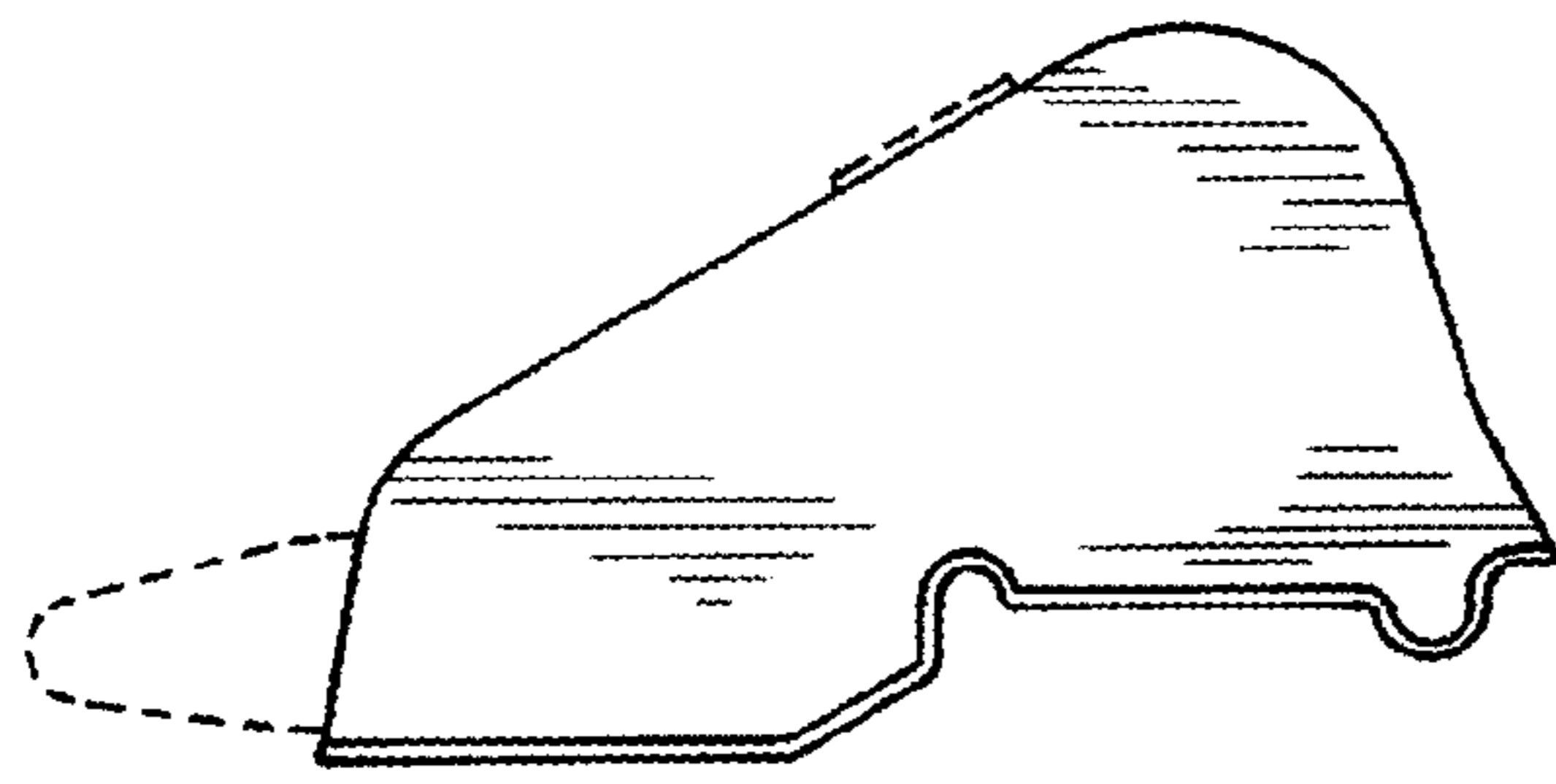


Fig. 4

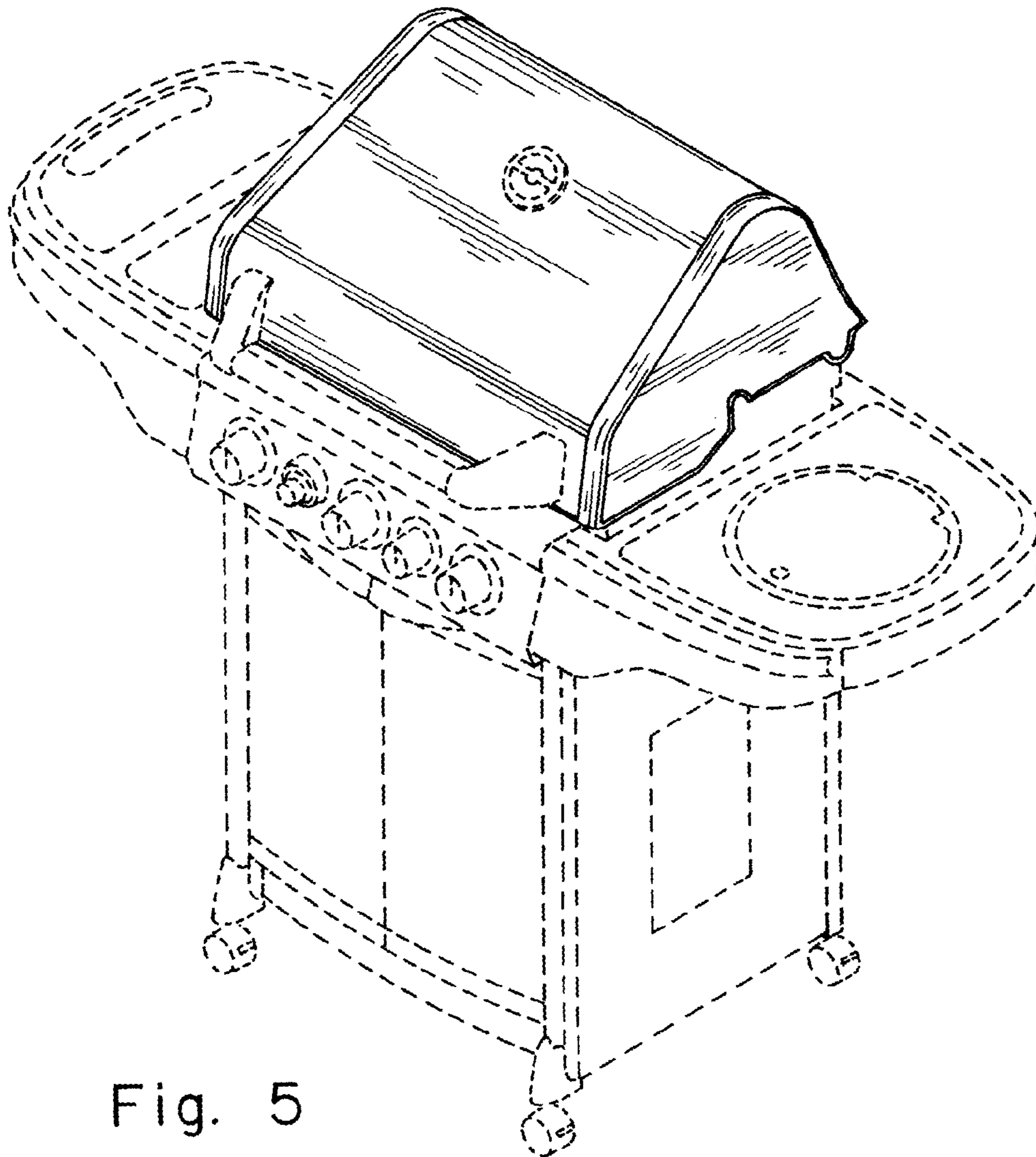


Fig. 5