



US00D580218S

(12) **United States Design Patent**
Kim

(10) **Patent No.:** **US D580,218 S**

(45) **Date of Patent:** **** Nov. 11, 2008**

(54) **FOOD STORAGE CONTAINER LID**

(75) Inventor: **Chang Ho Kim**, Seoul (KR)

(73) Assignee: **Lock & Lock Co., Ltd.**, Asan (KR)

(**) Term: **14 Years**

(21) Appl. No.: **29/317,513**

(22) Filed: **Apr. 30, 2008**

(30) **Foreign Application Priority Data**

Nov. 23, 2007 (KR) 30 2007 0048746

(51) **LOC (8) Cl.** **07-02**

(52) **U.S. Cl.** **D7/391**

(58) **Field of Classification Search** D7/323,
D7/354-361, 391, 392.1, 393, 538-542, 602,
D7/612-615, 629, 630, 632; D3/218, 302;
16/110.1, 415, 419, 430-431, 436, 444; 220/200,
220/212.5, 214, 376, 573.1-573.5, 625, 675,
220/731, 752-755, 780-806, 912

See application file for complete search history.

(56) **References Cited**

U.S. PATENT DOCUMENTS

- 4,625,885 A * 12/1986 Nichols 220/214
- D452,374 S * 12/2001 Kim D3/302
- D455,321 S * 4/2002 Jung et al. D7/629
- D479,954 S * 9/2003 Kim D7/629
- D481,910 S * 11/2003 Kim D7/629
- D483,622 S * 12/2003 Kim D7/629
- D484,367 S * 12/2003 Kim D7/629

- D500,227 S * 12/2004 Seok D7/392.1
- D516,376 S * 3/2006 Kim D7/392.1
- D517,311 S * 3/2006 Kim D3/218
- D521,812 S * 5/2006 Kim D7/629
- D536,571 S * 2/2007 Kim D7/391
- D549,519 S * 8/2007 Moon et al. D7/391

* cited by examiner

Primary Examiner—Caron D. Veynar

Assistant Examiner—Ricky Pham

(74) *Attorney, Agent, or Firm*—Townsend and Townsend and Crew LLP

(57) **CLAIM**

The ornamental design for the food storage container lid, as shown and described.

DESCRIPTION

FIG. 1 is a perspective view of the food storage container lid showing my new design view;

FIG. 2 is a front elevational view thereof, where the rear elevational view is symmetrical to the front elevational view;

FIG. 3 is a left side elevational view thereof;

FIG. 4 is a right side elevational view thereof;

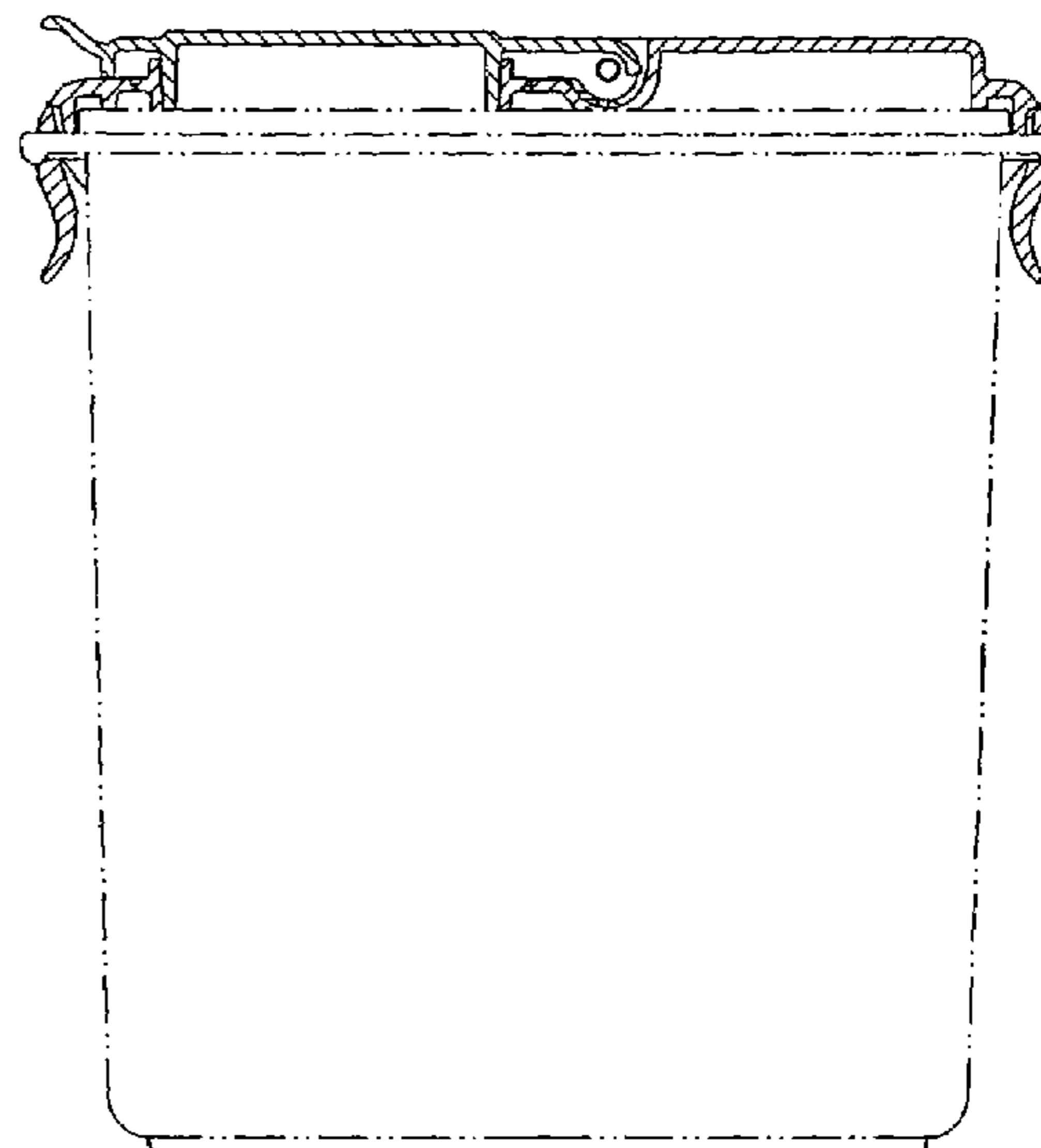
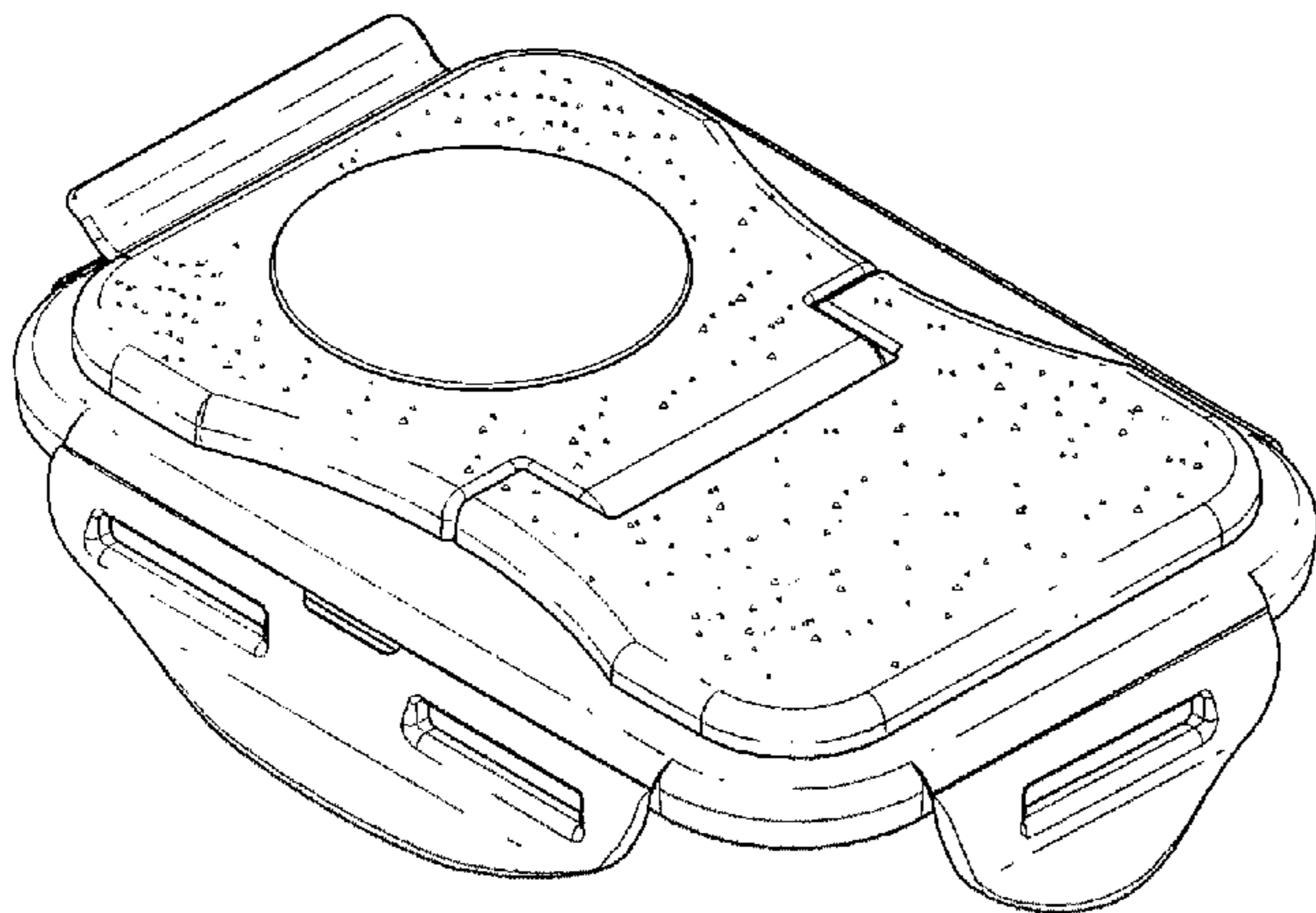
FIG. 5 is a top plan view thereof;

FIG. 6 is a bottom plan view thereof; and,

FIG. 7 is a cross-sectional view taken through line 7—7 of FIG. 5.

The broken lines shown in the drawings are for illustrative purposes only and form no part of the claimed design.

1 Claim, 4 Drawing Sheets



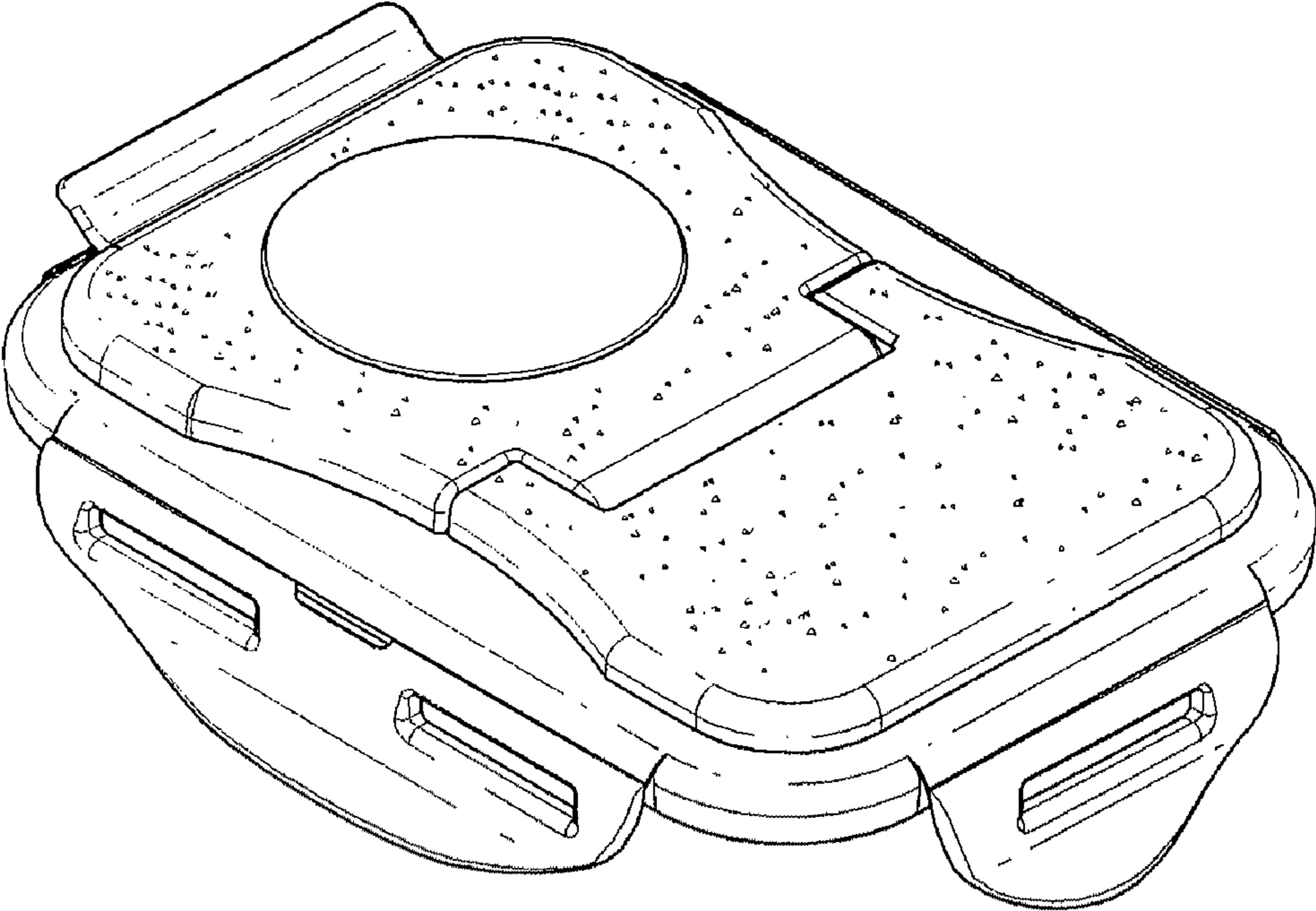


FIG. 1

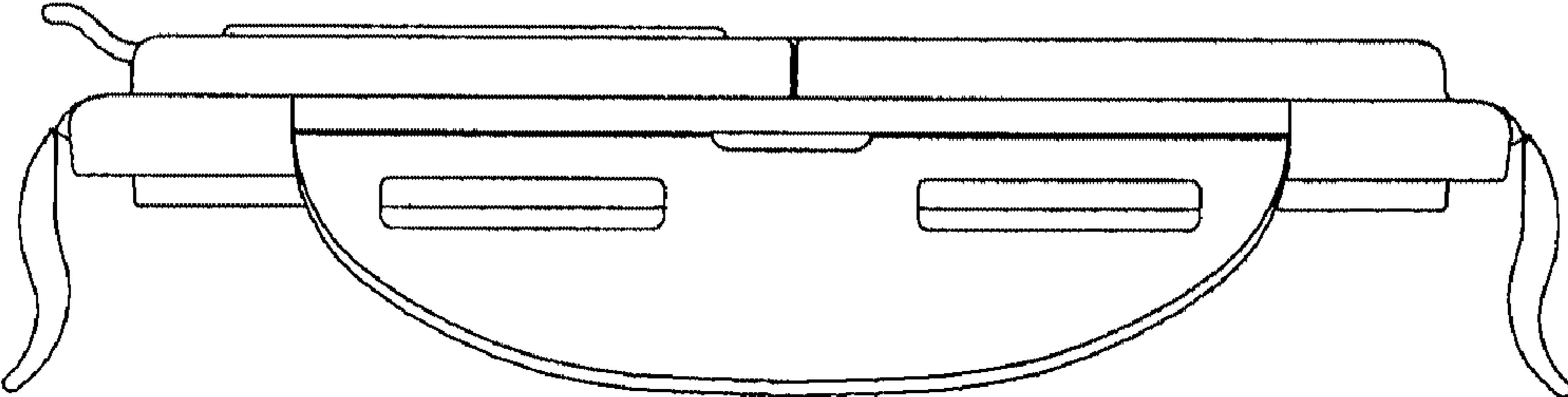


FIG. 2

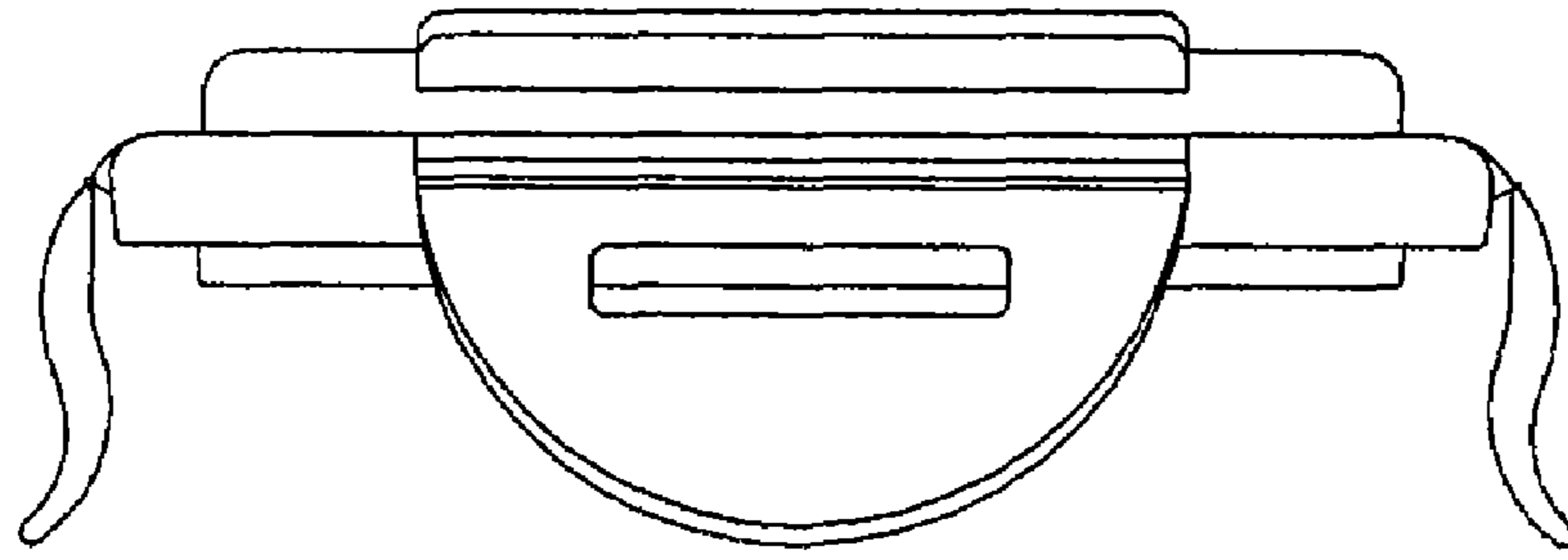


FIG. 3

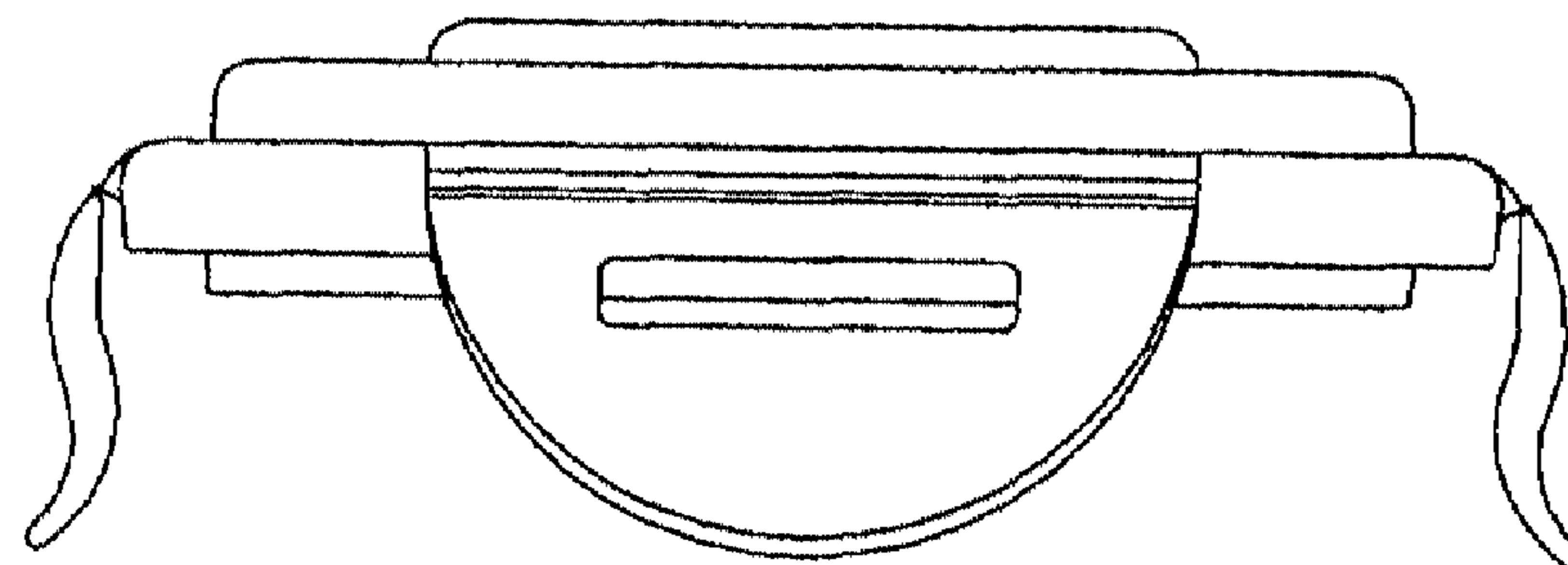


FIG. 4

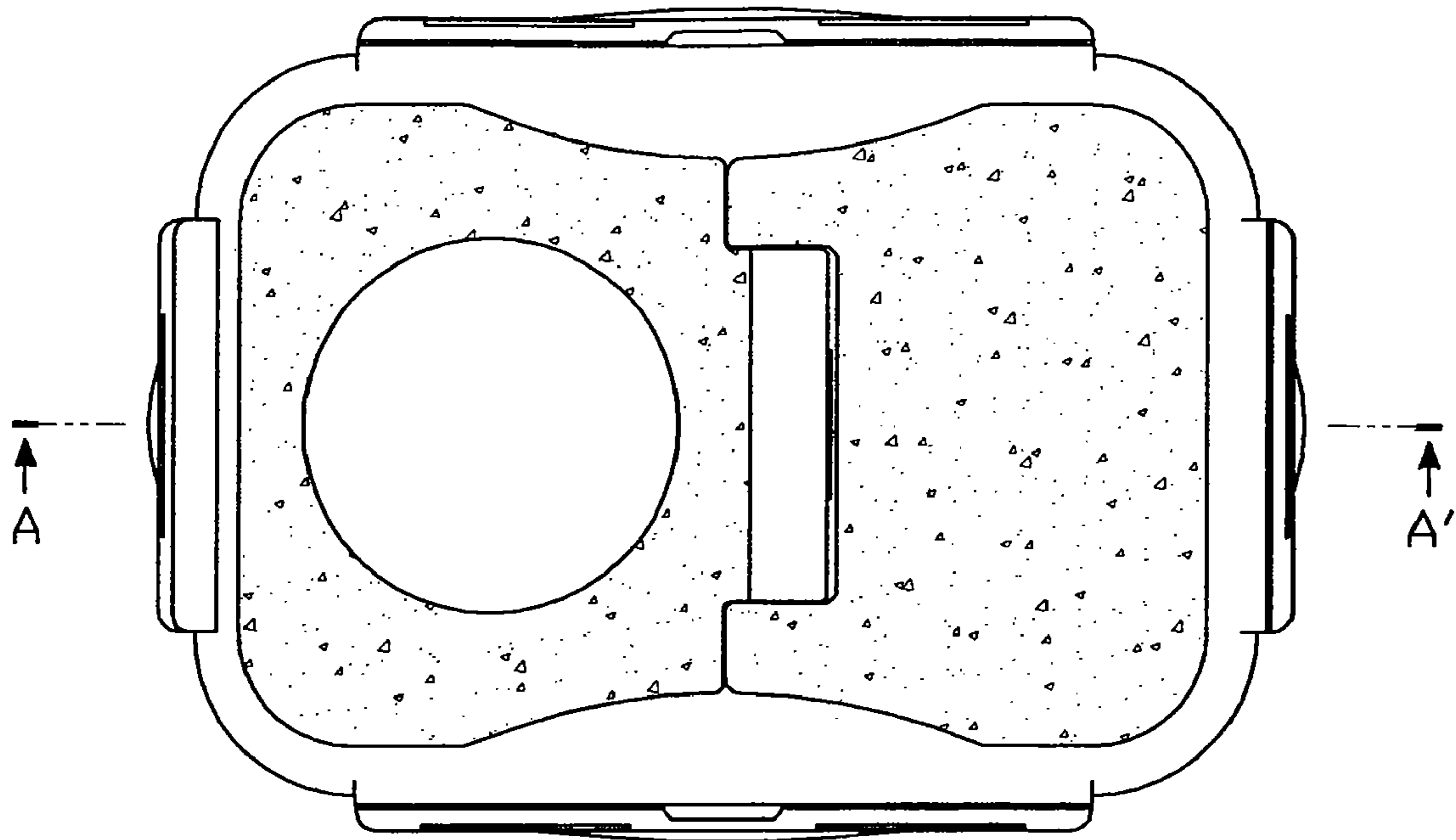


FIG. 5

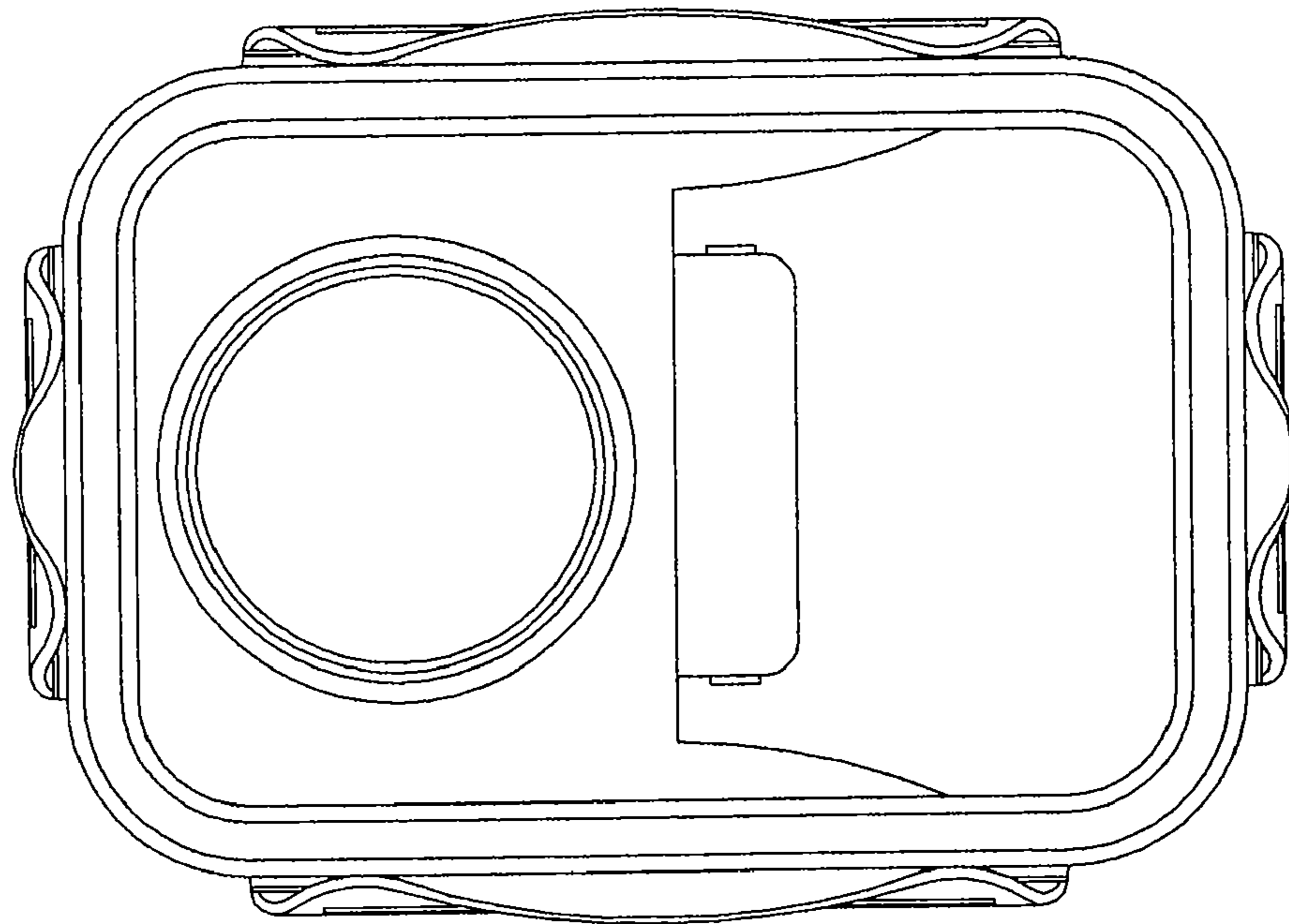


FIG. 6

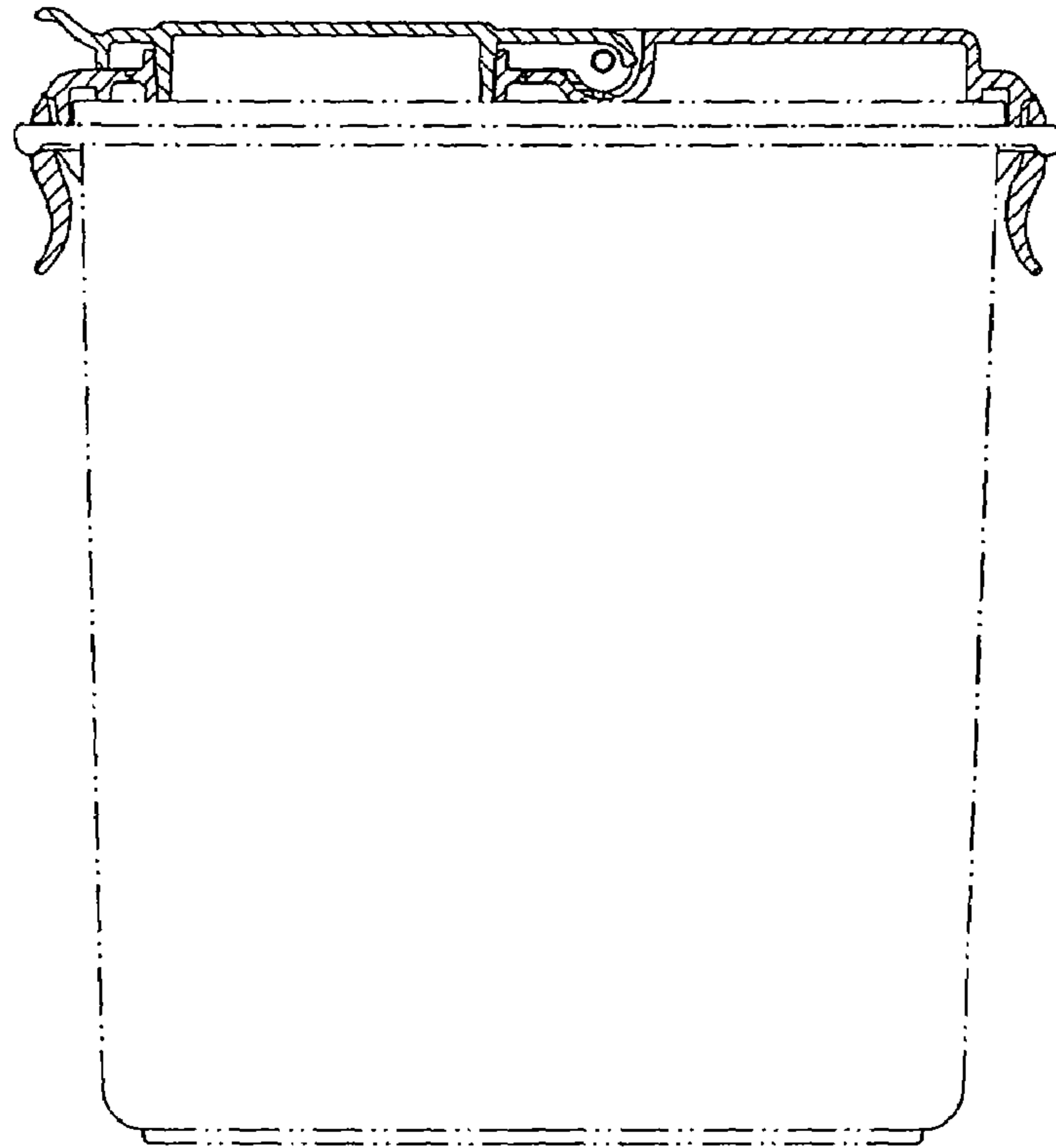


FIG. 7