



US00D580217S

(12) **United States Design Patent**
Goodman et al.

(10) **Patent No.:** **US D580,217 S**

(45) **Date of Patent:** **** Nov. 11, 2008**

(54) **TRIVET**

(75) Inventors: **Sheldon H. Goodman**, Solon, OH (US);
Justin J. Myers, Strongsville, OH (US)

(73) Assignee: **Spectrum Diversified Designs, Inc.**,
Streetsboro, OH (US)

(**) Term: **14 Years**

(21) Appl. No.: **29/305,556**

(22) Filed: **Mar. 24, 2008**

Related U.S. Application Data

(62) Division of application No. 29/297,455, filed on Nov. 12, 2007.

(51) **LOC (8) Cl.** **07-01**

(52) **U.S. Cl.** **D7/388**

(58) **Field of Classification Search** D7/387,
D7/388, 402-404, 407-409; D6/480, 536,
D6/403; D23/397, 386; D34/38; D29/119;
D27/126; 428/450; 248/346.01, 346.02,
248/150, 346.1; 99/450; 108/156; 219/732
See application file for complete search history.

(56) **References Cited**

U.S. PATENT DOCUMENTS

D69,323 S * 1/1926 Karsh D6/495
D189,050 S * 10/1960 Wright D7/388

D267,386 S * 12/1982 Kneale, III D7/388
D299,777 S * 2/1989 Michau D34/38
5,809,902 A * 9/1998 Zetterberg 108/51.11
D399,386 S * 10/1998 Goodman D7/388
6,000,666 A * 12/1999 Kari 248/150
D419,744 S * 1/2000 Carter D34/38
D499,302 S * 12/2004 Liu D7/408
D533,381 S * 12/2006 Snell D6/536
D546,119 S * 7/2007 Dodge D7/388
D551,018 S * 9/2007 Goodman et al. D7/388
D556,423 S * 11/2007 Weise et al. D34/38

* cited by examiner

Primary Examiner—Philip Hyder

Assistant Examiner—Cynthia Underwood

(74) *Attorney, Agent, or Firm*—Pearne & Gordon LLP

(57) **CLAIM**

The ornamental design for a trivet, as shown and described.

DESCRIPTION

FIG. 1 is a perspective view of a trivet showing our new design;

FIG. 2 is a top plan view thereof;

FIG. 3 is a bottom plan view thereof;

FIG. 4 is a front elevational view thereof, the rear elevational view being identical; and,

FIG. 5 is a side elevational view thereof.

1 Claim, 2 Drawing Sheets

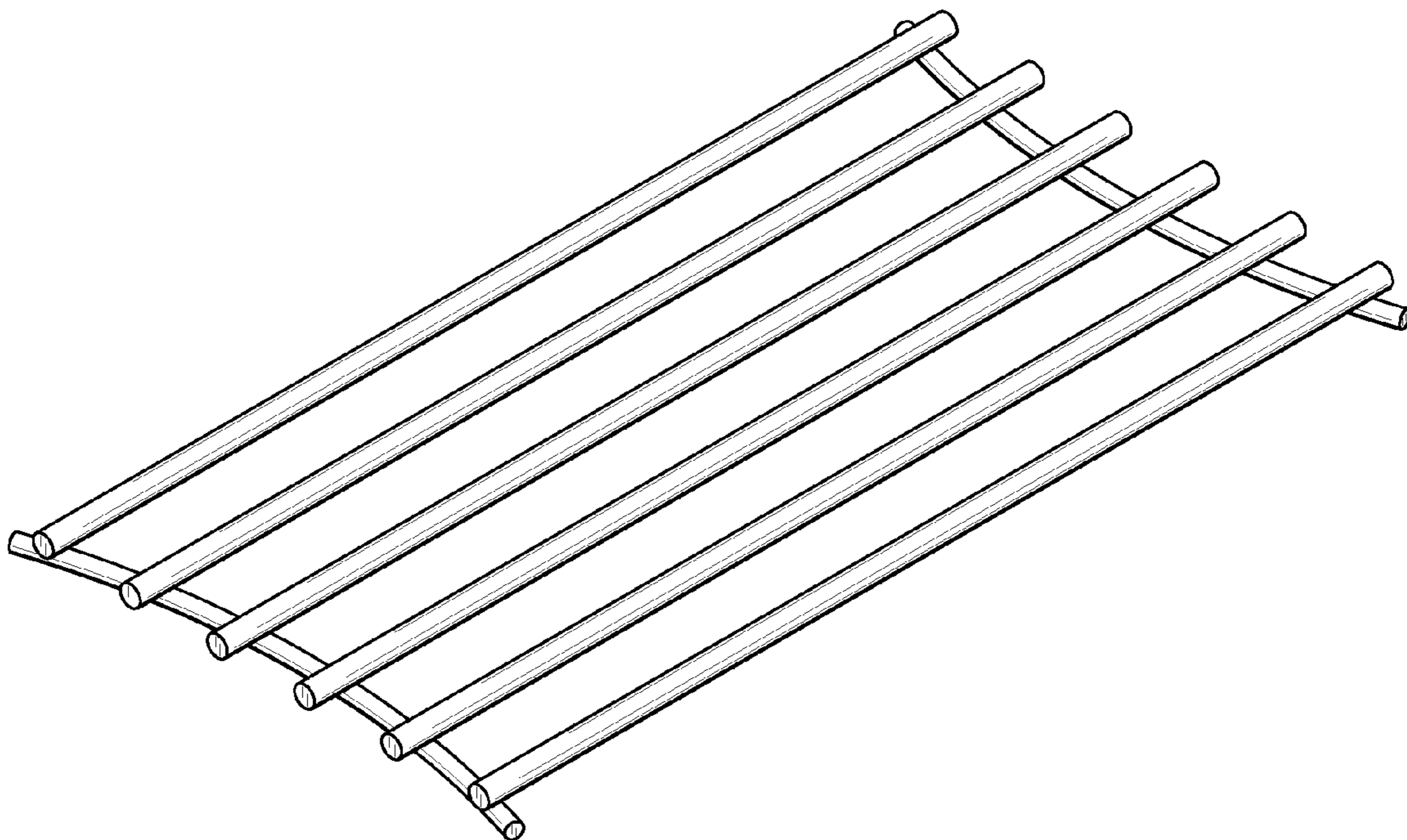


FIG. 1

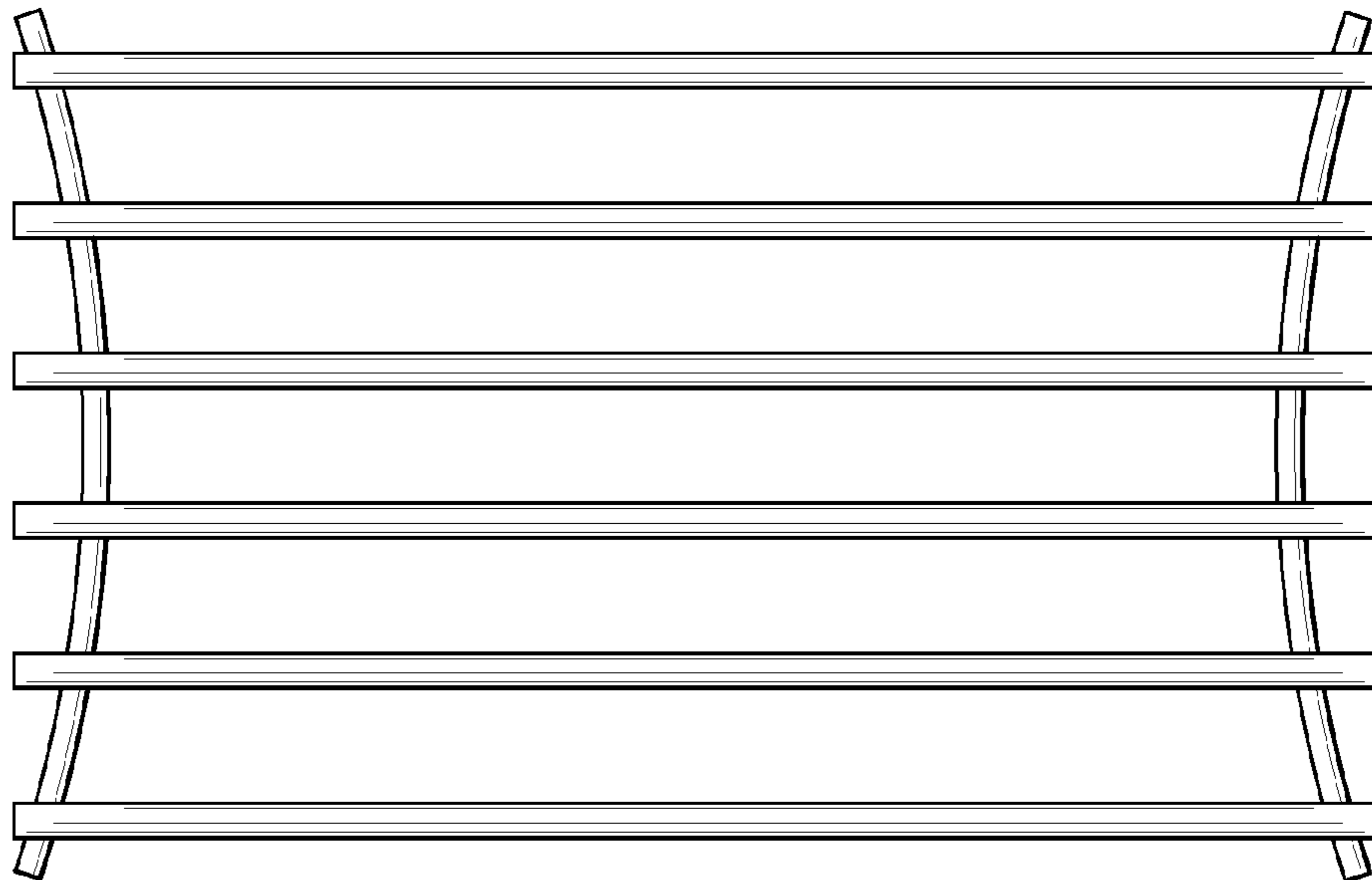
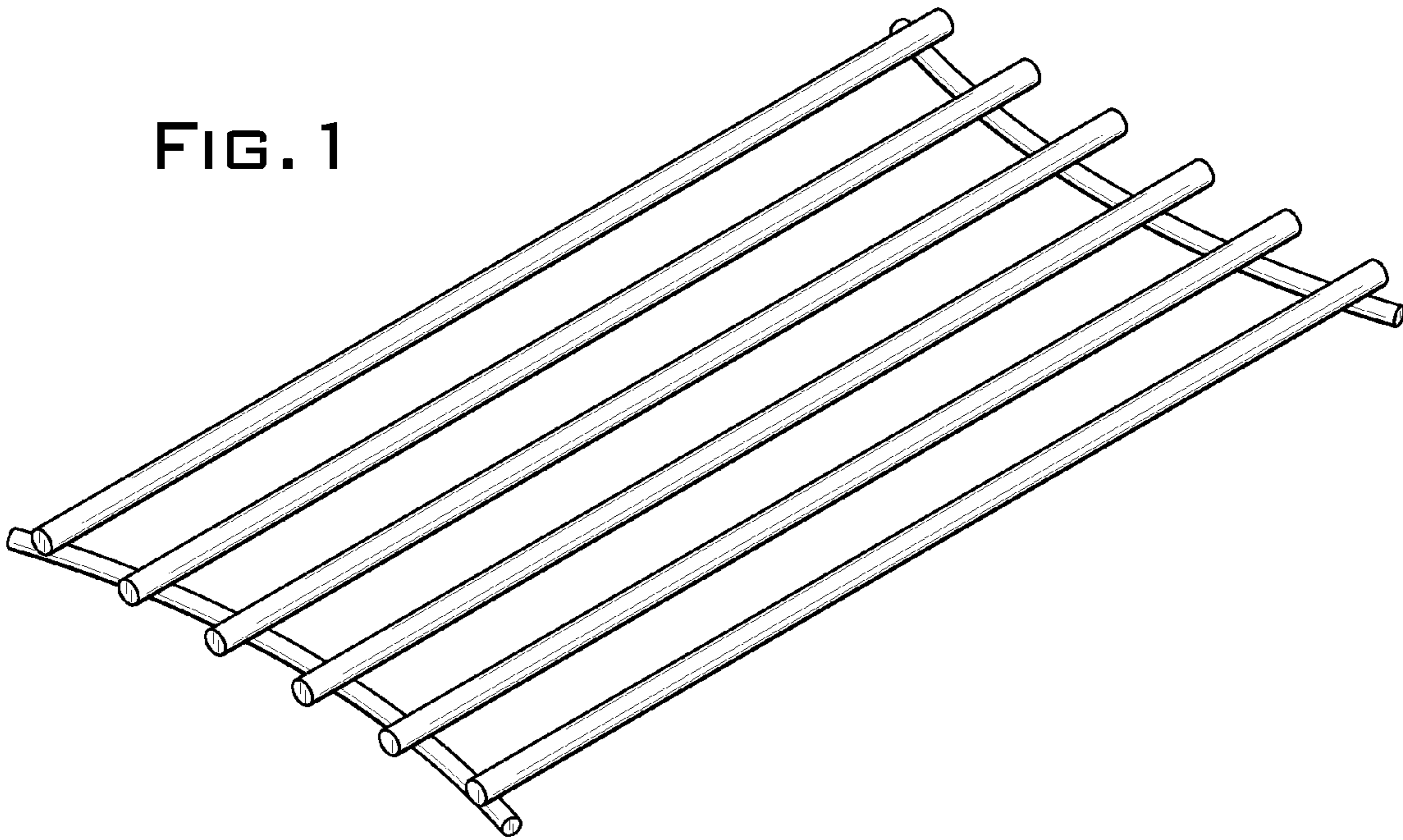


FIG. 2

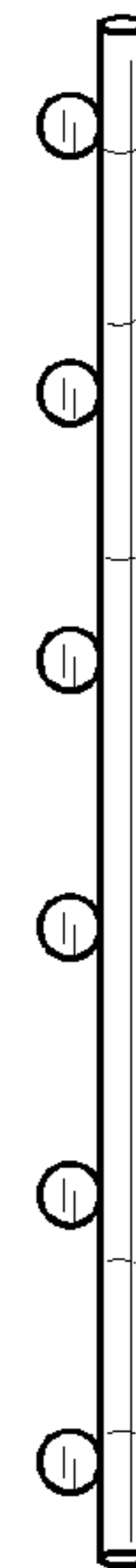


FIG. 5

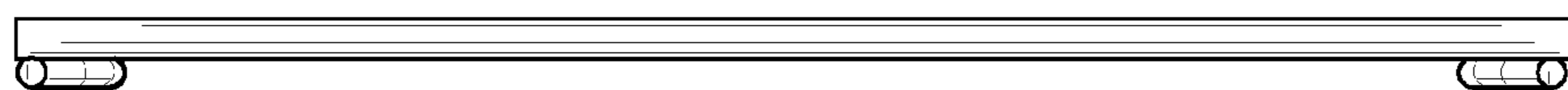


FIG. 4

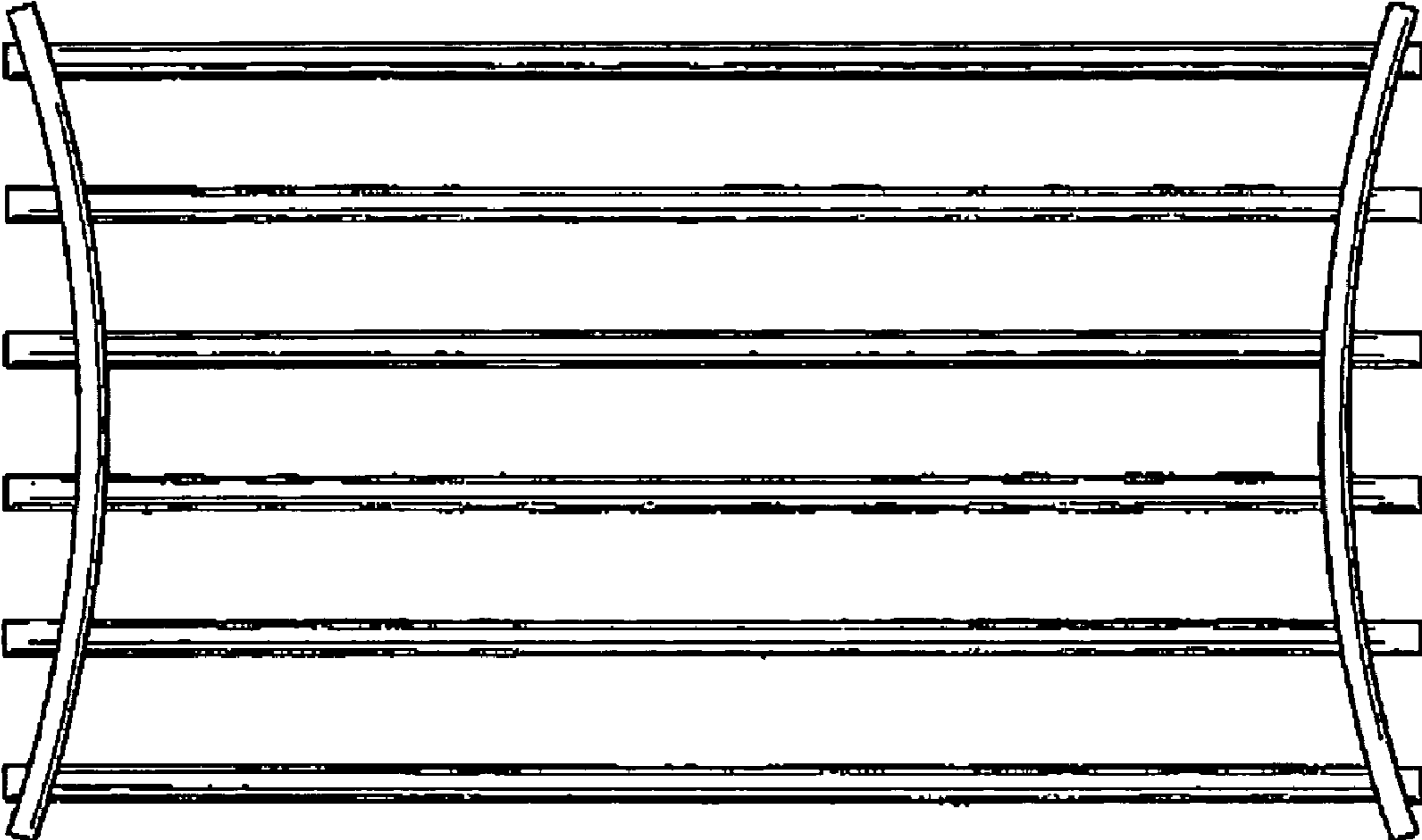


FIG. 3