



US00D580216S

(12) **United States Design Patent**  
**Ryan**

(10) **Patent No.:** **US D580,216 S**  
(45) **Date of Patent:** **\*\* Nov. 11, 2008**

(54) **FOOD PROCESSOR**

(75) Inventor: **Garth Ryan**, Helensburgh (AU)

(73) Assignee: **Breville Pty Ltd**, Botany, New South Wales (AU)

(\*\*) Term: **14 Years**

(21) Appl. No.: **29/317,532**

(22) Filed: **May 1, 2008**

(30) **Foreign Application Priority Data**

Nov. 1, 2007 (AU) ..... 20589/2007

(51) **LOC (8) Cl.** ..... **31-00**

(52) **U.S. Cl.** ..... **D7/384**

(58) **Field of Classification Search** ..... D7/317-318,  
D7/356, 376-386, 412-415; 99/348, 492,  
99/509-511; 222/465.1; 241/30-37.5, 101.01-101.2,  
241/166-169.1, 274-278.2, 285.1-285.3,  
241/291, 292.1; 366/64-67, 98, 192, 197-211,  
366/205-206, 241-254, 279-292, 341-343  
See application file for complete search history.

(56) **References Cited**

**U.S. PATENT DOCUMENTS**

D373,049 S \* 8/1996 le Rouzic ..... D7/413  
D445,299 S \* 7/2001 Spagnolo et al. .... D7/384  
6,397,735 B1 \* 6/2002 Wong ..... 99/492  
D466,363 S \* 12/2002 Dalton et al. .... D7/384

D484,357 S \* 12/2003 Seum et al. .... D7/378  
D488,344 S \* 4/2004 Seum et al. .... D7/384  
D520,047 S \* 5/2006 Py ..... D7/384  
D538,595 S \* 3/2007 White et al. .... D7/413  
D560,093 S \* 1/2008 Verdun et al. .... D7/384

**OTHER PUBLICATIONS**

Lines -N- Things, Sep. 2005, p. 9, 14-Cup Food Processor.\*

\* cited by examiner

*Primary Examiner*—Caron D. Veynar

*Assistant Examiner*—Ricky Pham

(74) *Attorney, Agent, or Firm*—Molins & Co.

(57) **CLAIM**

The ornamental design for a food processor, as shown and described.

**DESCRIPTION**

FIG. 1 is a front elevation view of a food processor showing my new design;

FIG. 2 is a side elevation view thereof;

FIG. 3 is a rear elevation view thereof;

FIG. 4 is a top plan view thereof;

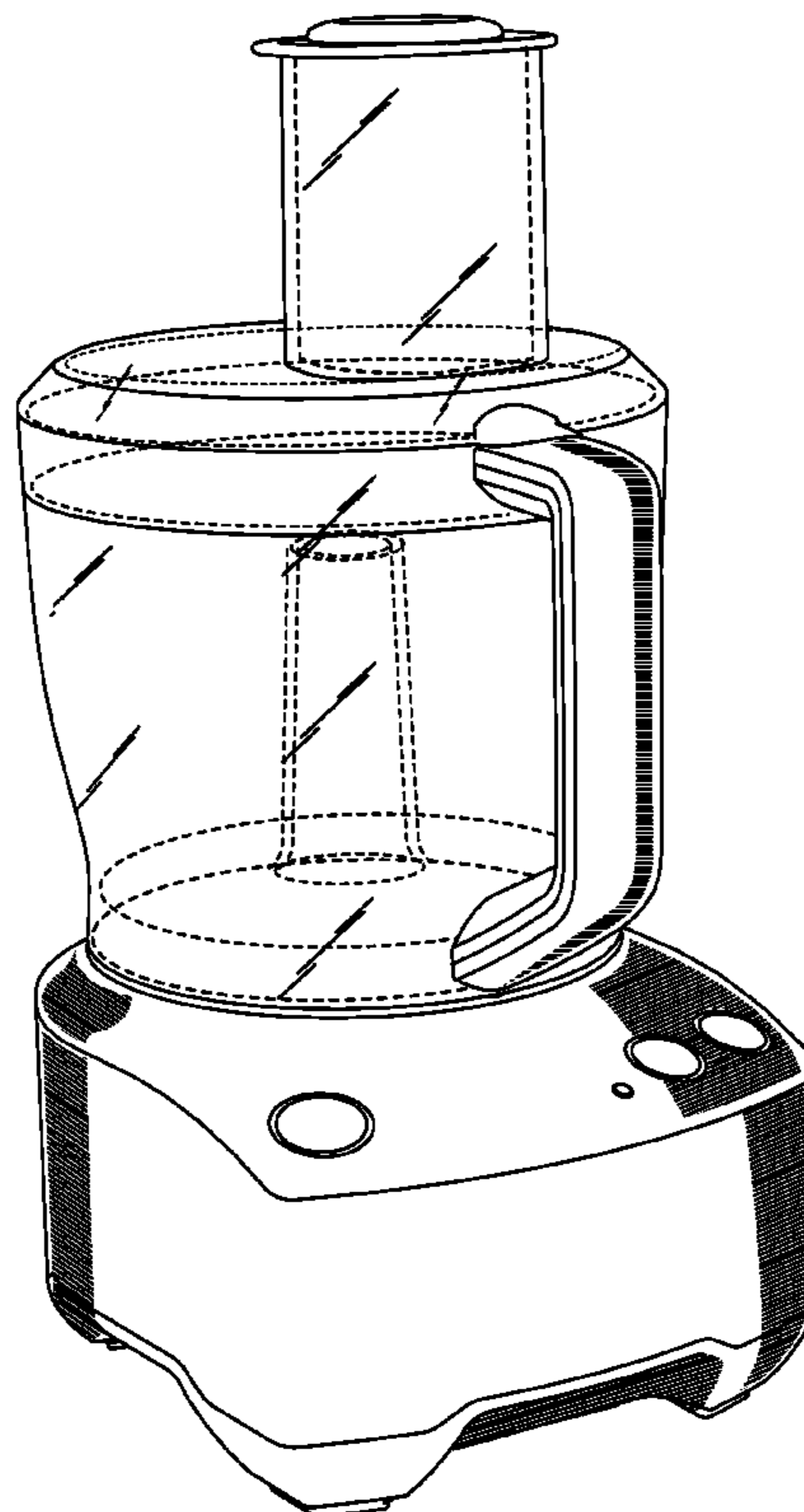
FIG. 5 is a bottom plan view thereof;

FIG. 6 is a front right perspective view thereof;

FIG. 7 is a rear perspective view thereof; and,

FIG. 8 is a front left perspective view thereof.

**1 Claim, 8 Drawing Sheets**



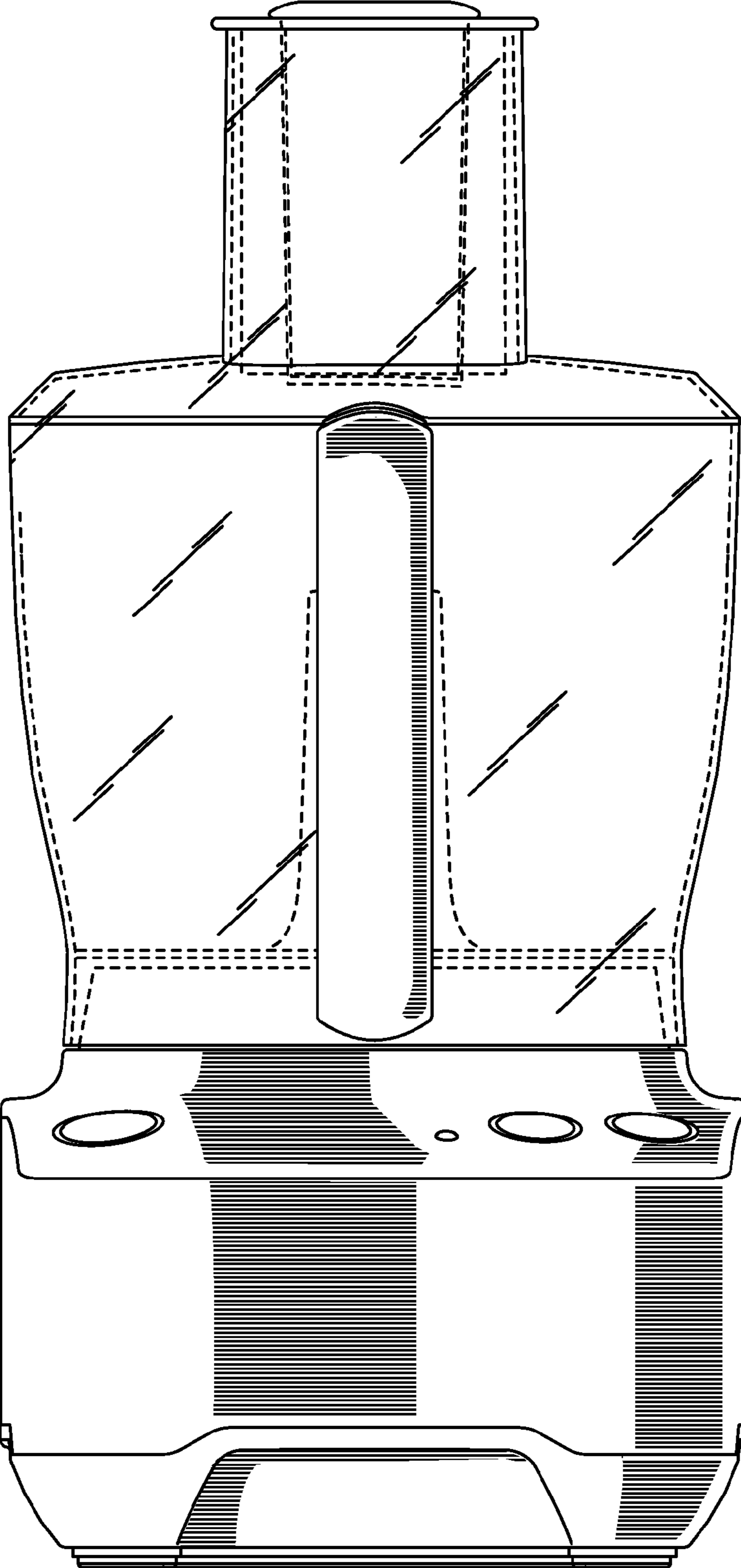


Figure 1

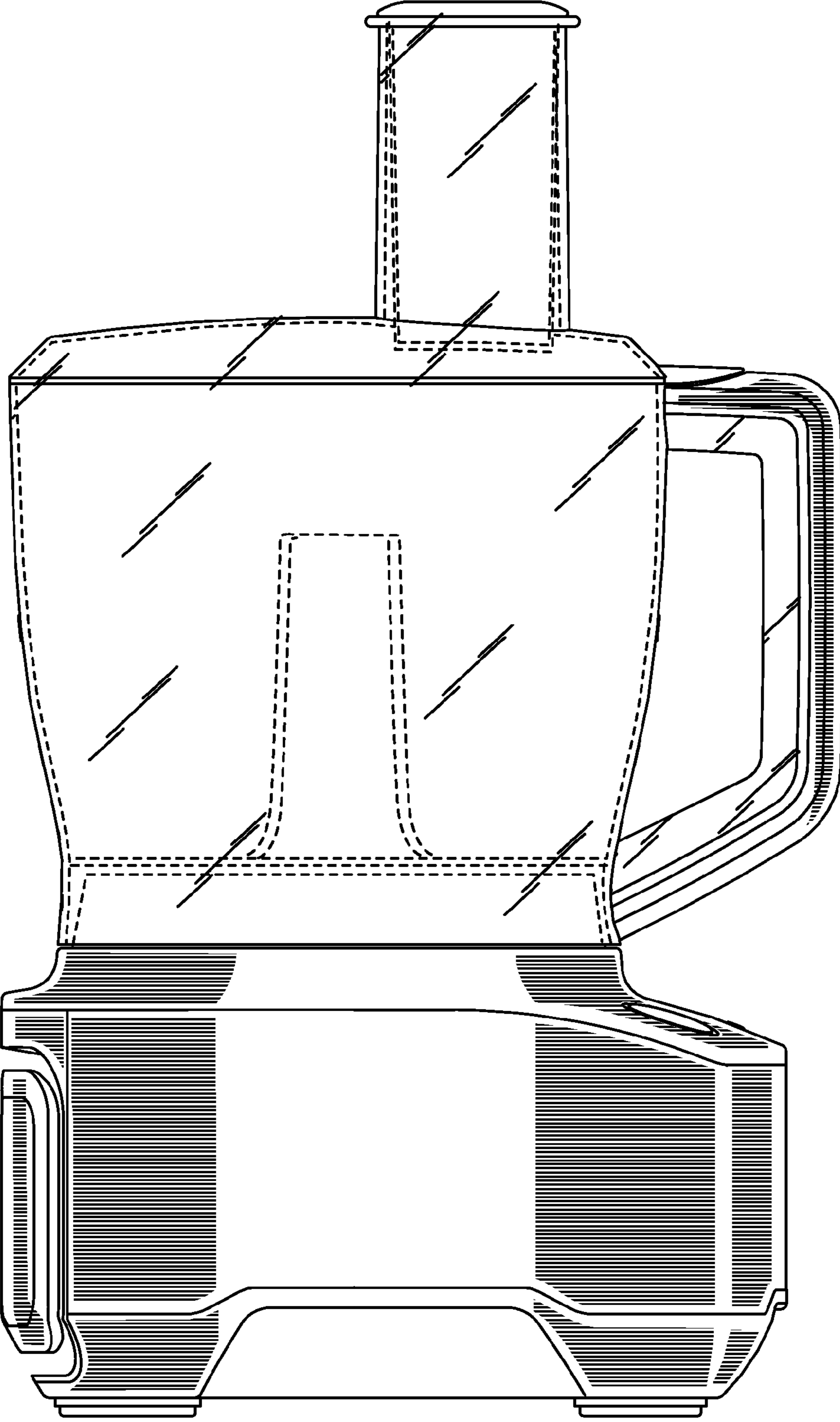


Figure 2

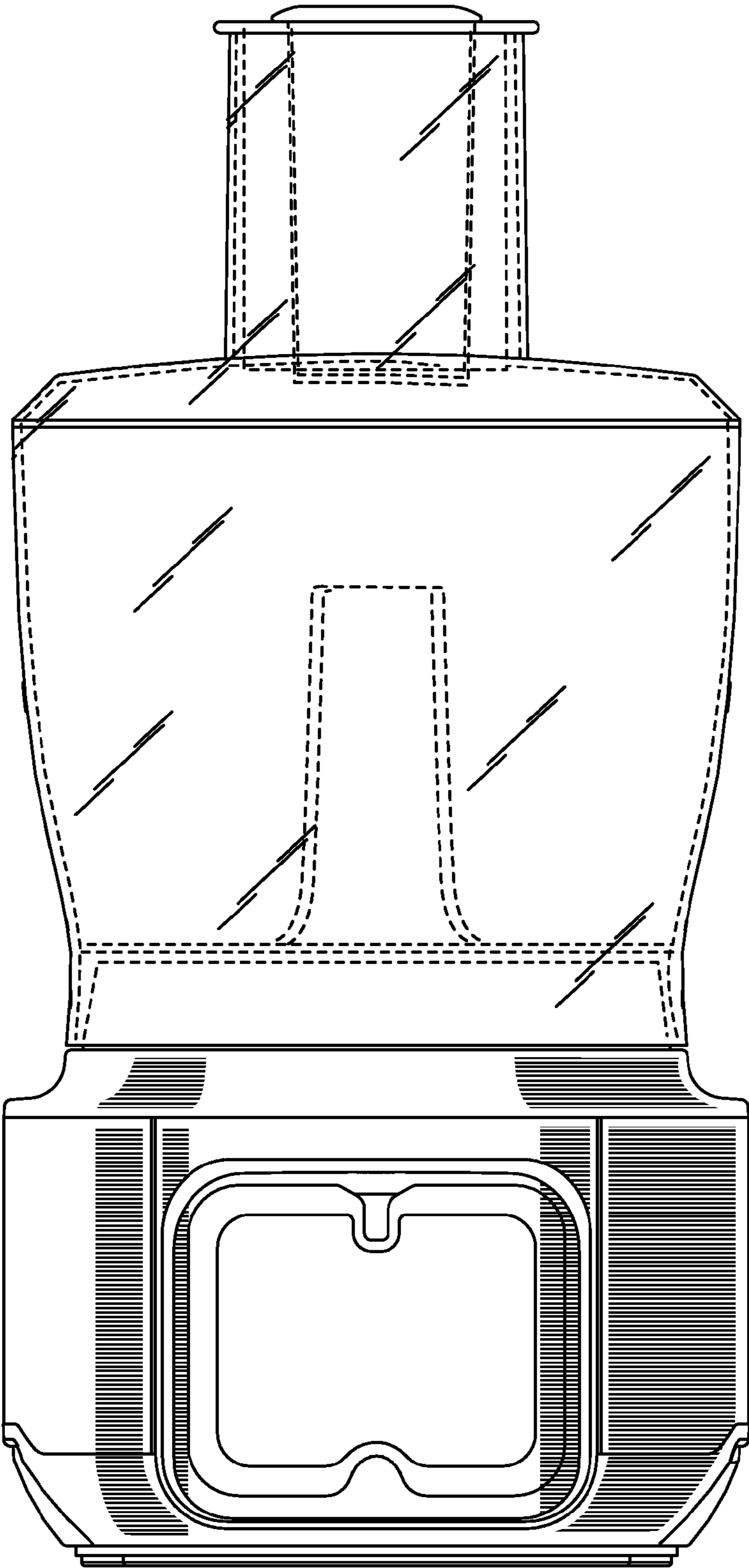


Figure 3

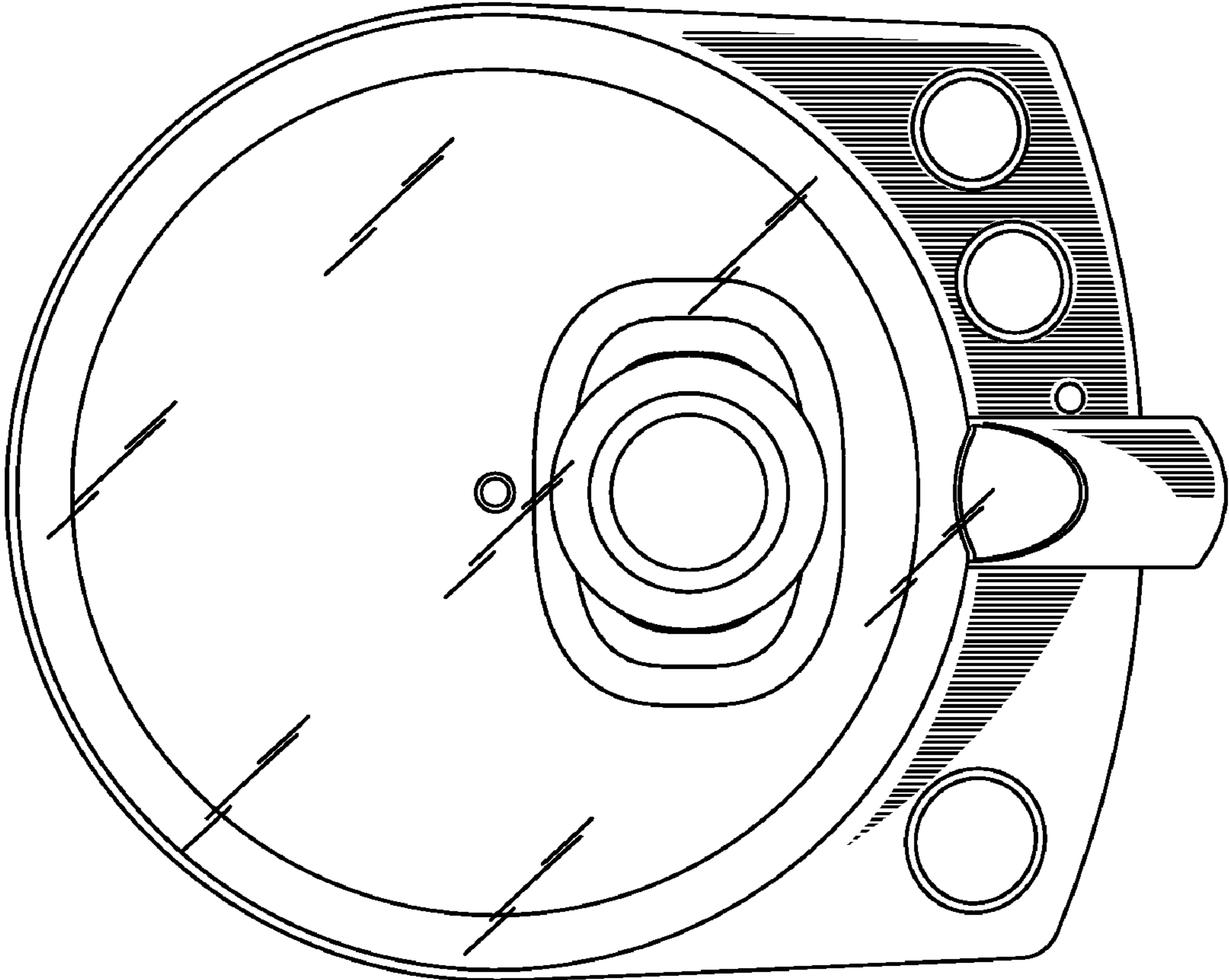


Figure 4

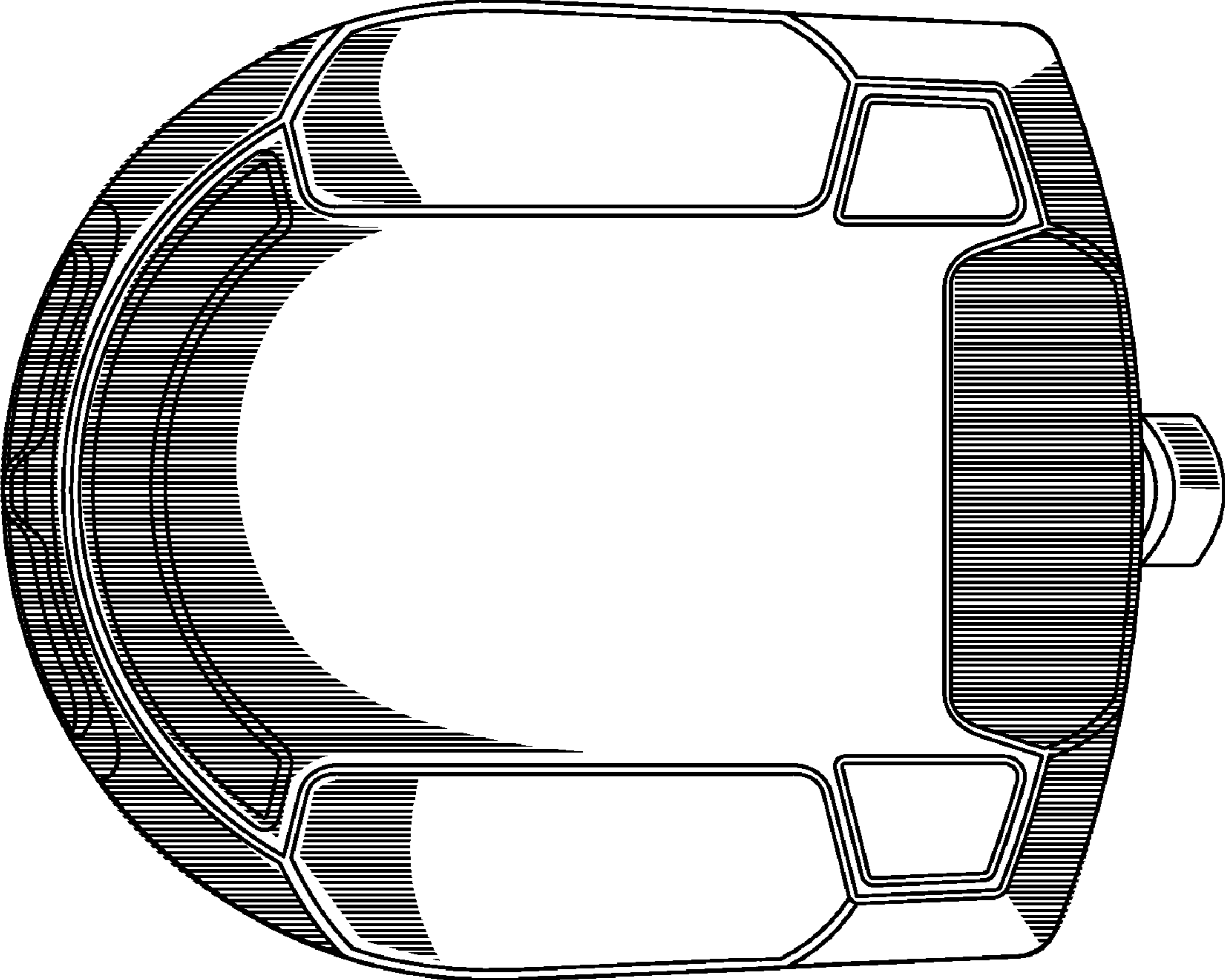


Figure 5

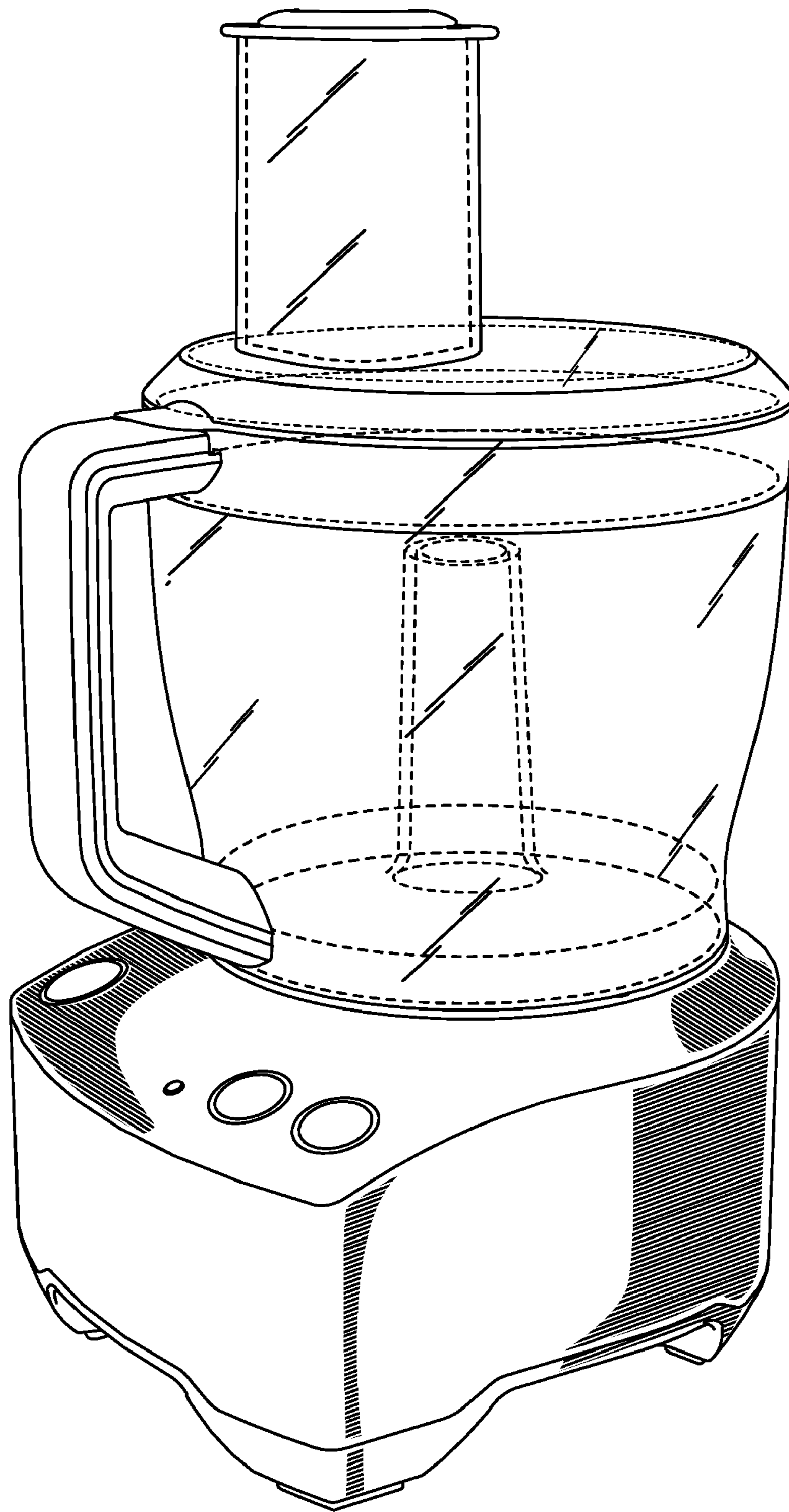


Figure 6

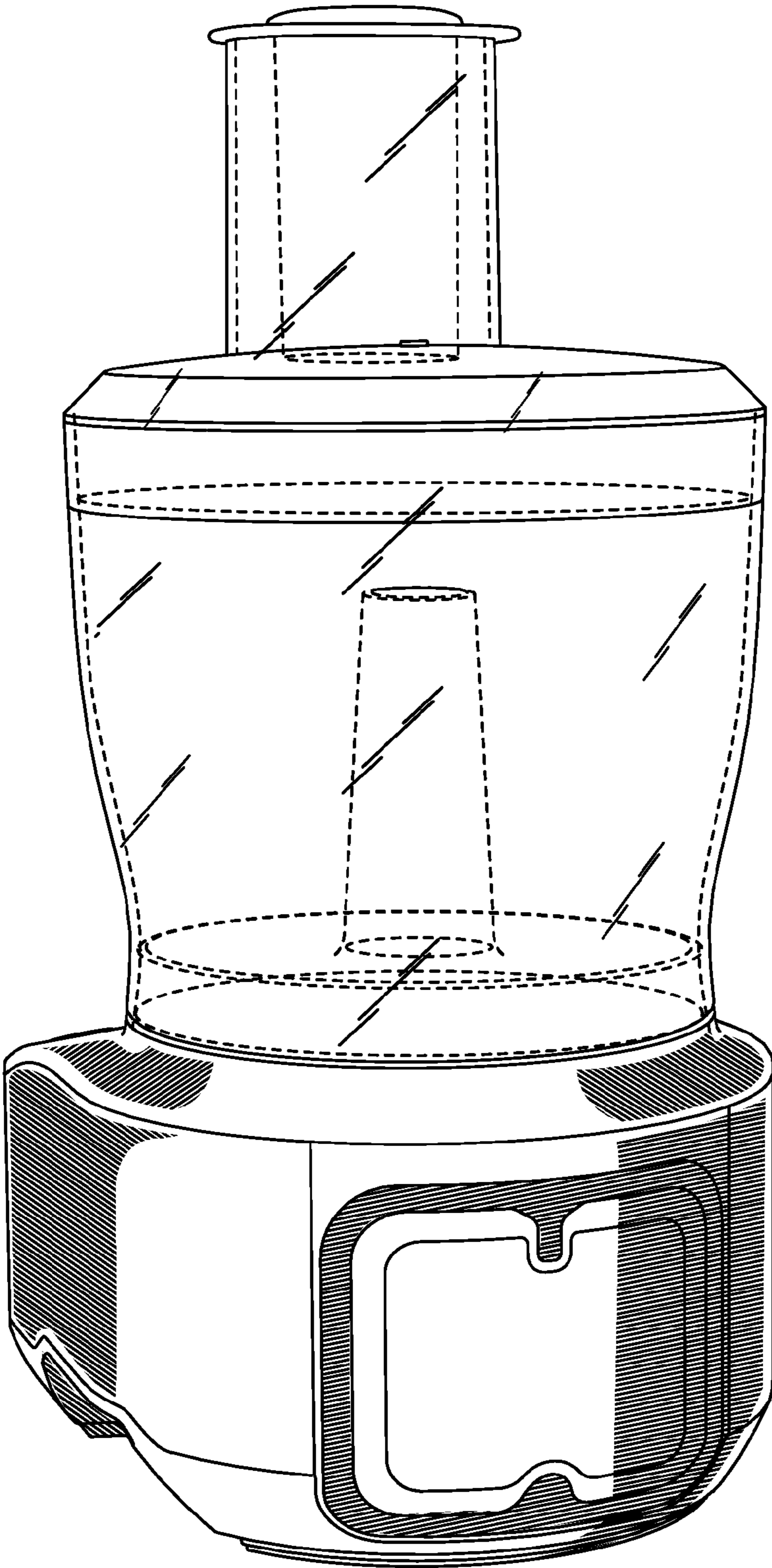


Figure 7



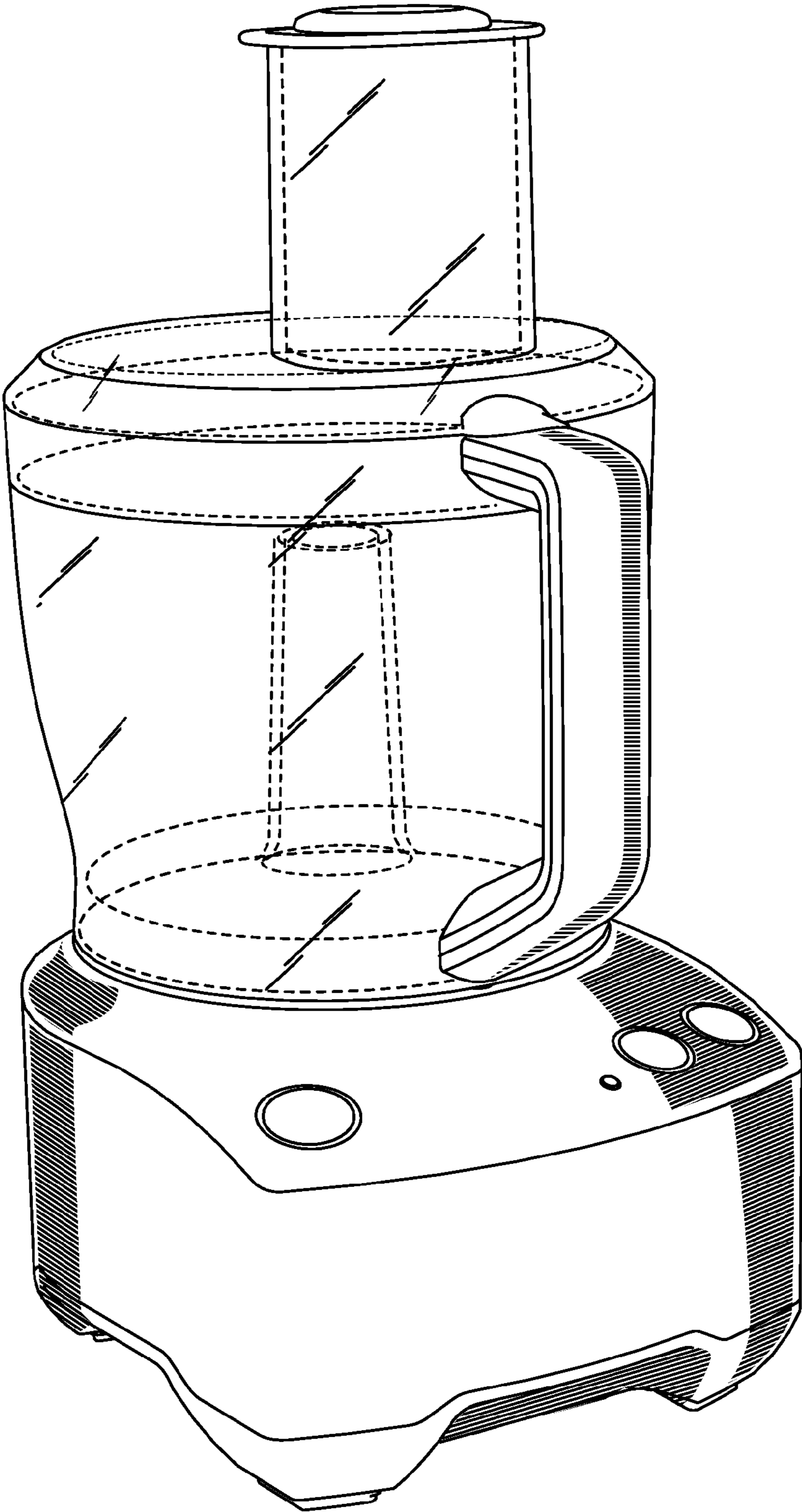


Figure 8