



US00D580215S

(12) **United States Design Patent**  
**McCarthy et al.**

(10) **Patent No.:** **US D580,215 S**

(45) **Date of Patent:** **\*\* Nov. 11, 2008**

(54) **MULTI-FUNCTIONAL KITCHEN TOOL**

(75) Inventors: **Brendan John McCarthy**, Wellington (NZ); **Richard John Nowell**, Preston (GB); **Timothy John Rugg**, Corbridge (GB)

(73) Assignee: **CNi-Creative Nations International Limited** (VG)

(\*\*) Term: **14 Years**

(21) Appl. No.: **29/294,861**

(22) Filed: **Jan. 29, 2008**

(51) **LOC (8) Cl.** ..... **07-06**

(52) **U.S. Cl.** ..... **D7/368**

(58) **Field of Classification Search** ..... D7/368,  
D7/669, 387; D29/114, 113, 118; 2/16,  
2/21; 294/1.1, 15, 16, 25, 26  
See application file for complete search history.

(56) **References Cited**

**U.S. PATENT DOCUMENTS**

4,682,803 A \* 7/1987 Andrews ..... 294/16  
D455,322 S \* 4/2002 Kossack ..... D7/673  
6,389,944 B1 \* 5/2002 Davidson ..... 30/114  
D504,544 S \* 4/2005 Lee ..... D29/118

7,117,536 B2 \* 10/2006 Burnett et al. .... 2/16  
7,165,270 B2 \* 1/2007 DeYoung et al. .... 2/16  
2005/0114983 A1 \* 6/2005 Demay et al. .... 2/160

\* cited by examiner

*Primary Examiner*—Terry A Wallace

(74) *Attorney, Agent, or Firm*—Law Offices of Kamran Fattahi

(57) **CLAIM**

The ornamental design for a multi-functional kitchen tool, as shown and described.

**DESCRIPTION**

FIG. 1 is perspective exploded view showing a multi-functional kitchen tool embodying our new design;

FIG. 2 is a front right side perspective view thereof;

FIG. 3 is a top plan view thereof;

FIG. 4 is a bottom plan view thereof;

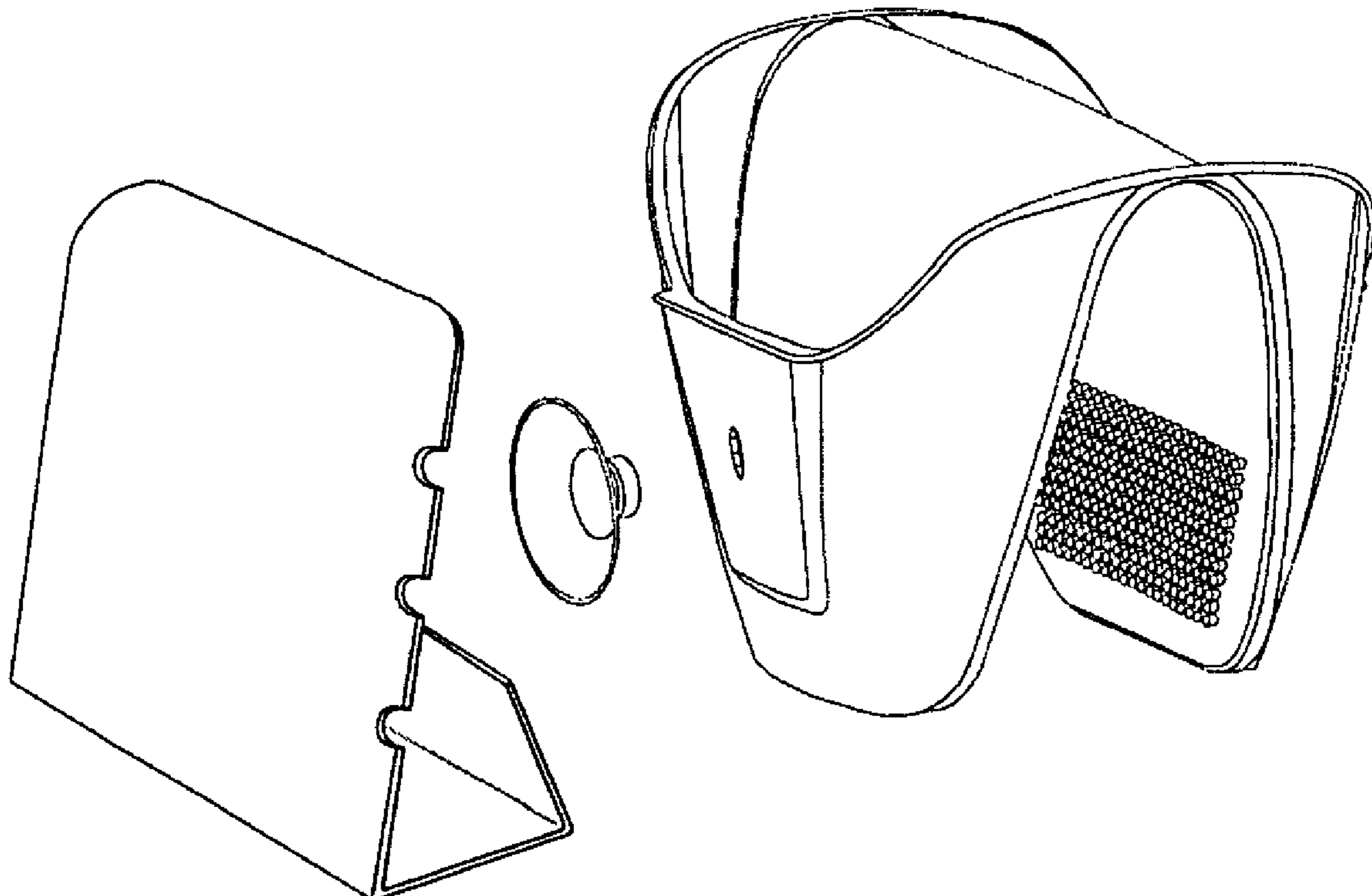
FIG. 5 is a left side elevation view thereof;

FIG. 6 is a right side elevation view thereof;

FIG. 7 is front end elevation view thereof; and,

FIG. 8 is a rear end elevation view thereof.

**1 Claim, 5 Drawing Sheets**



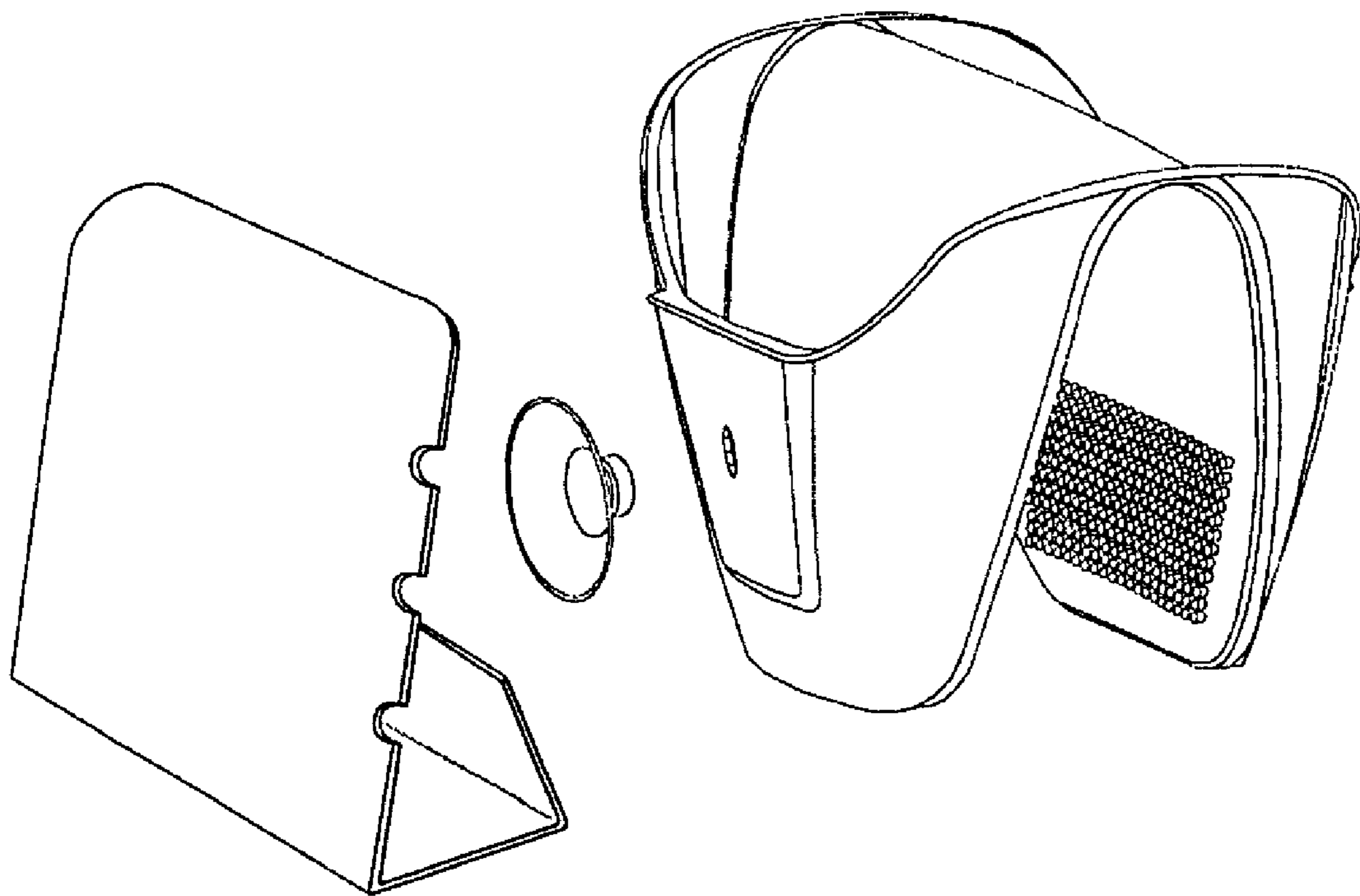


Fig. 1

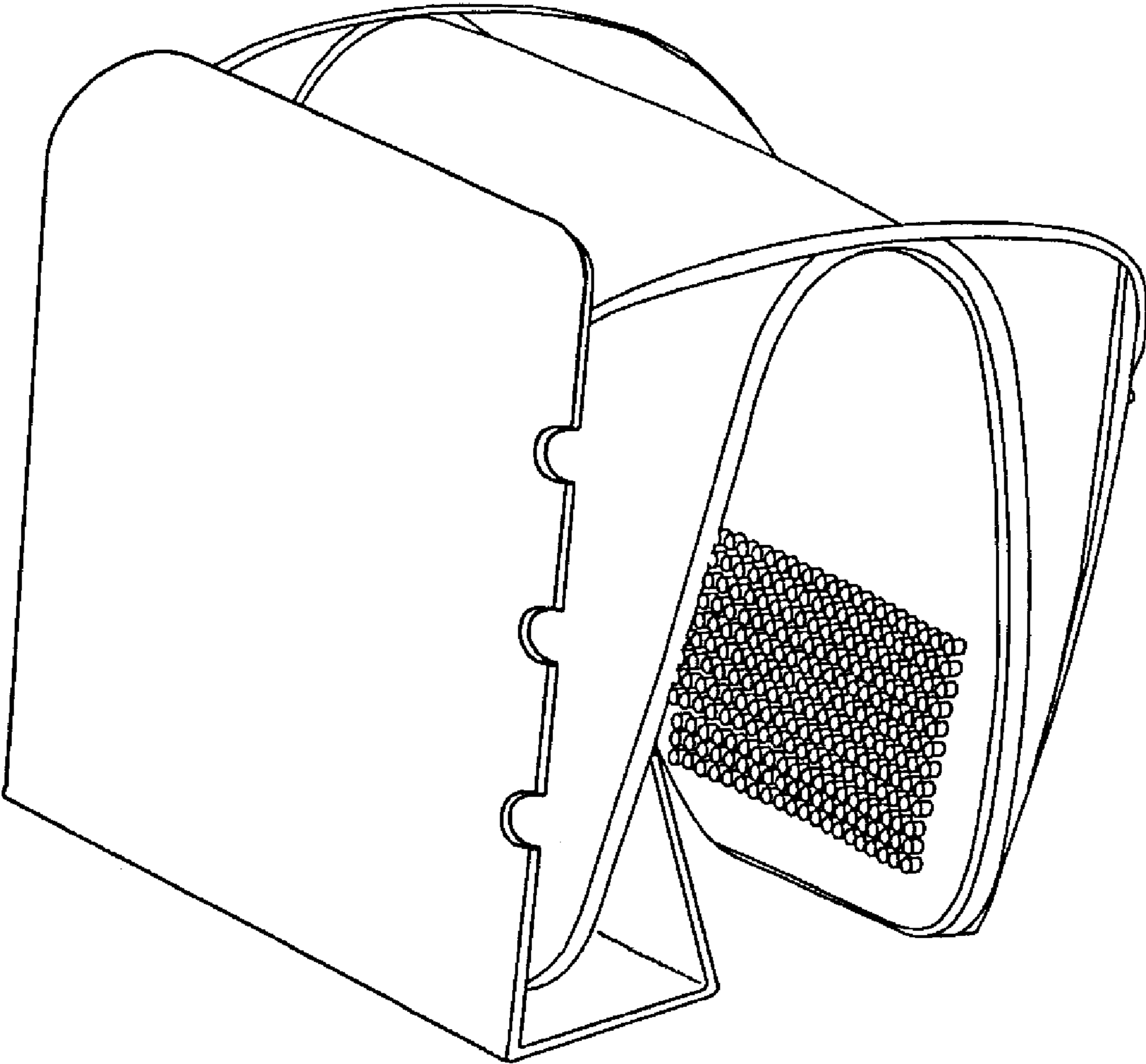
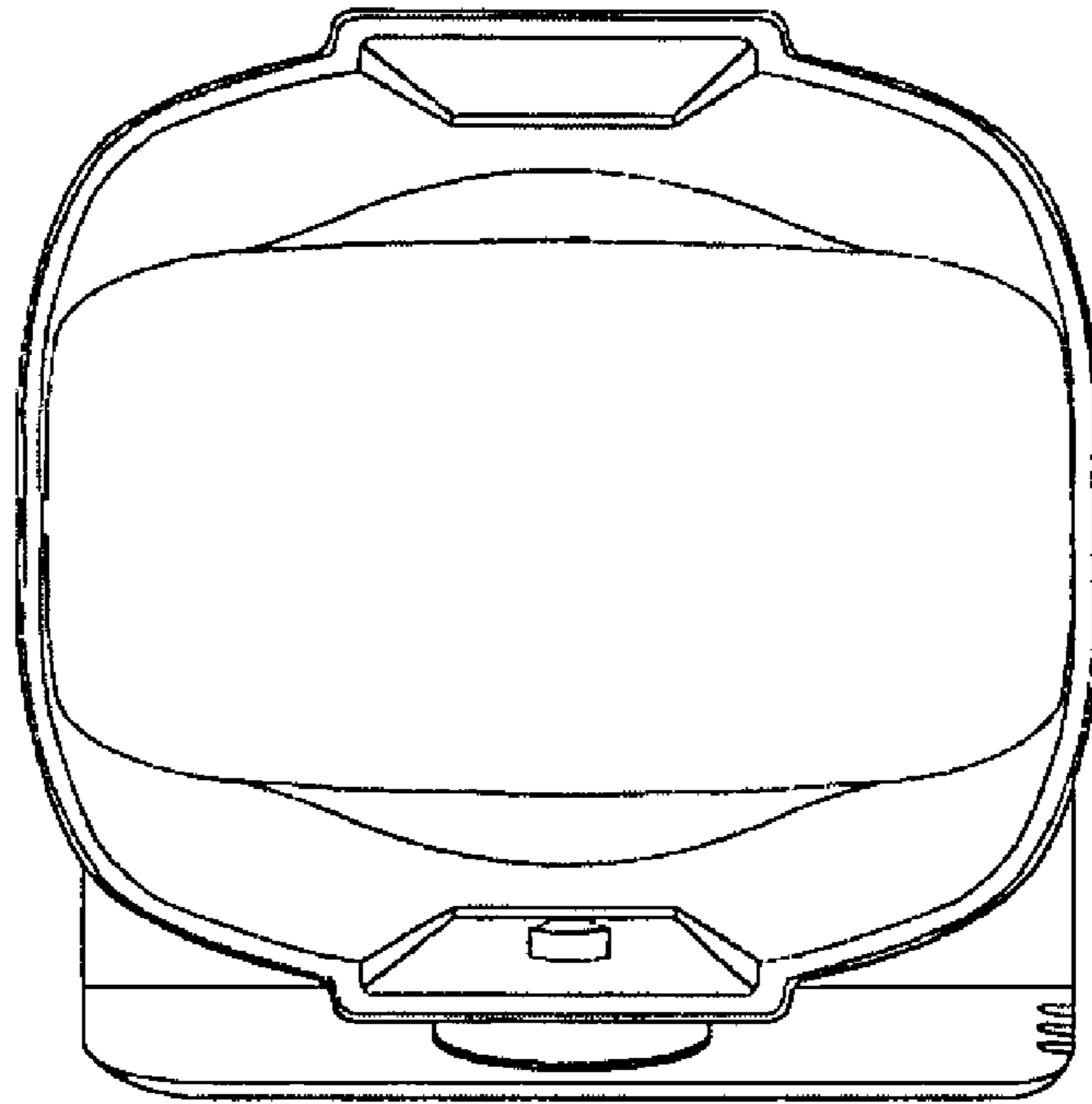
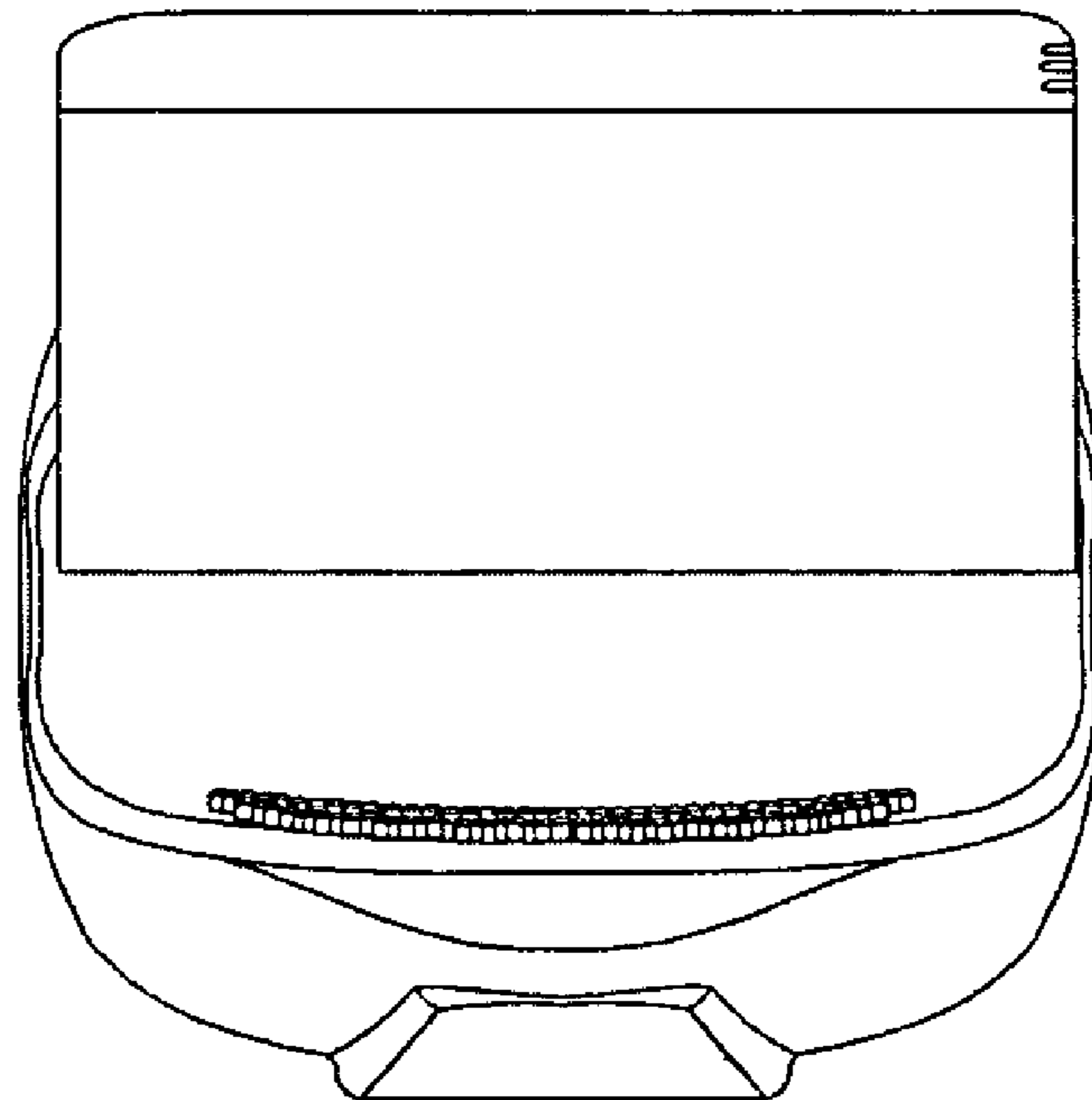


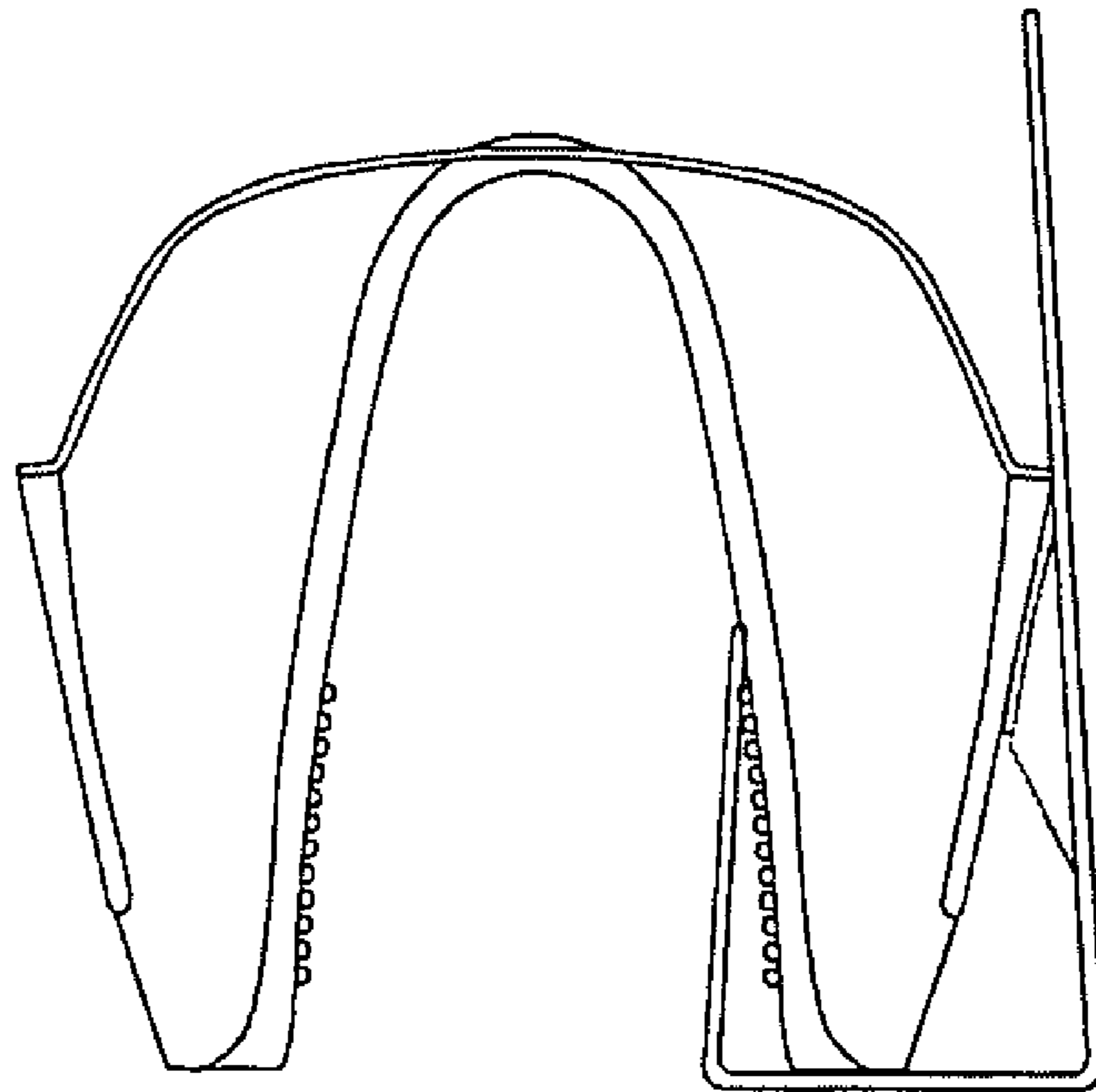
Fig. 2



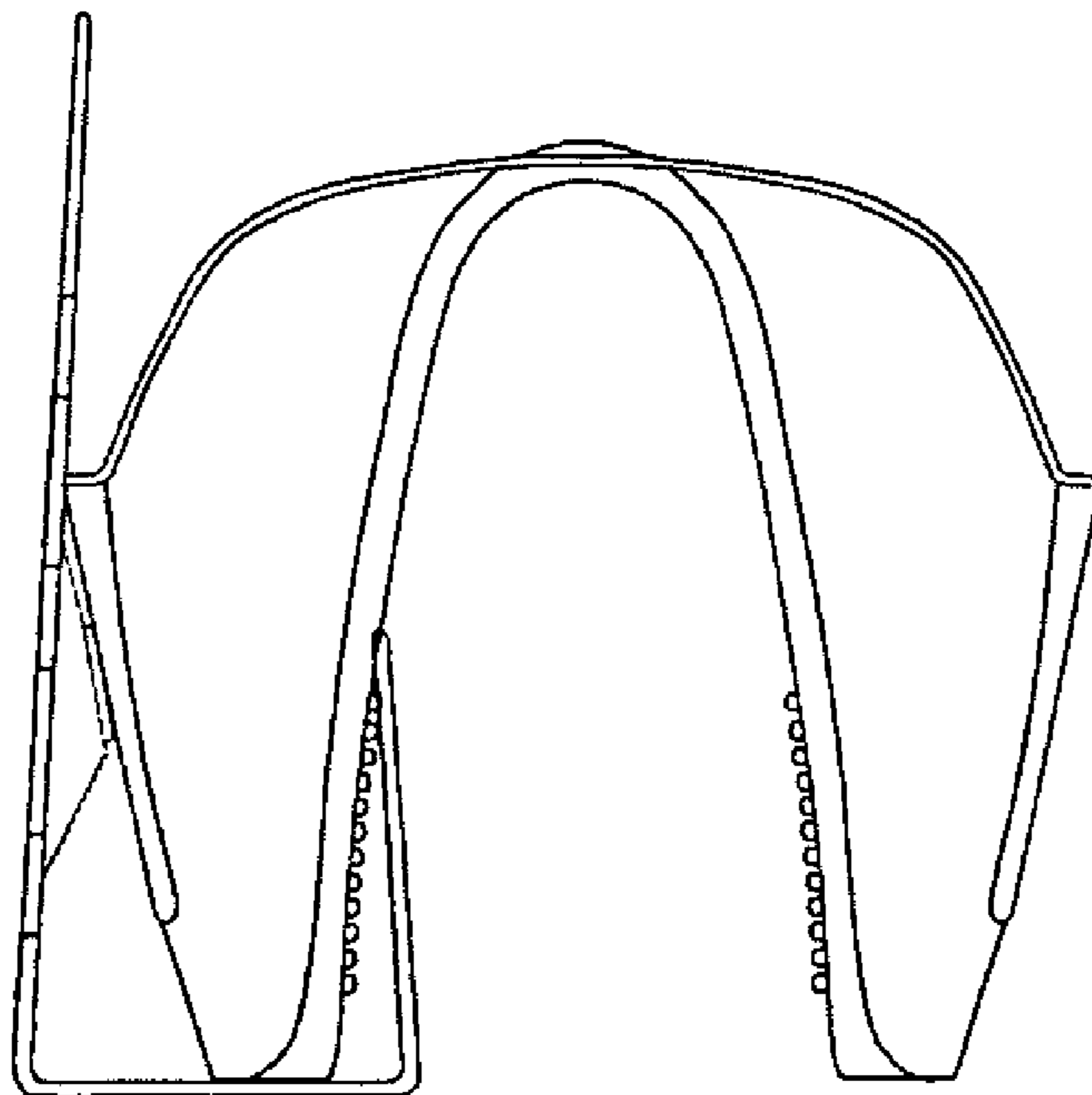
**Fig. 3**



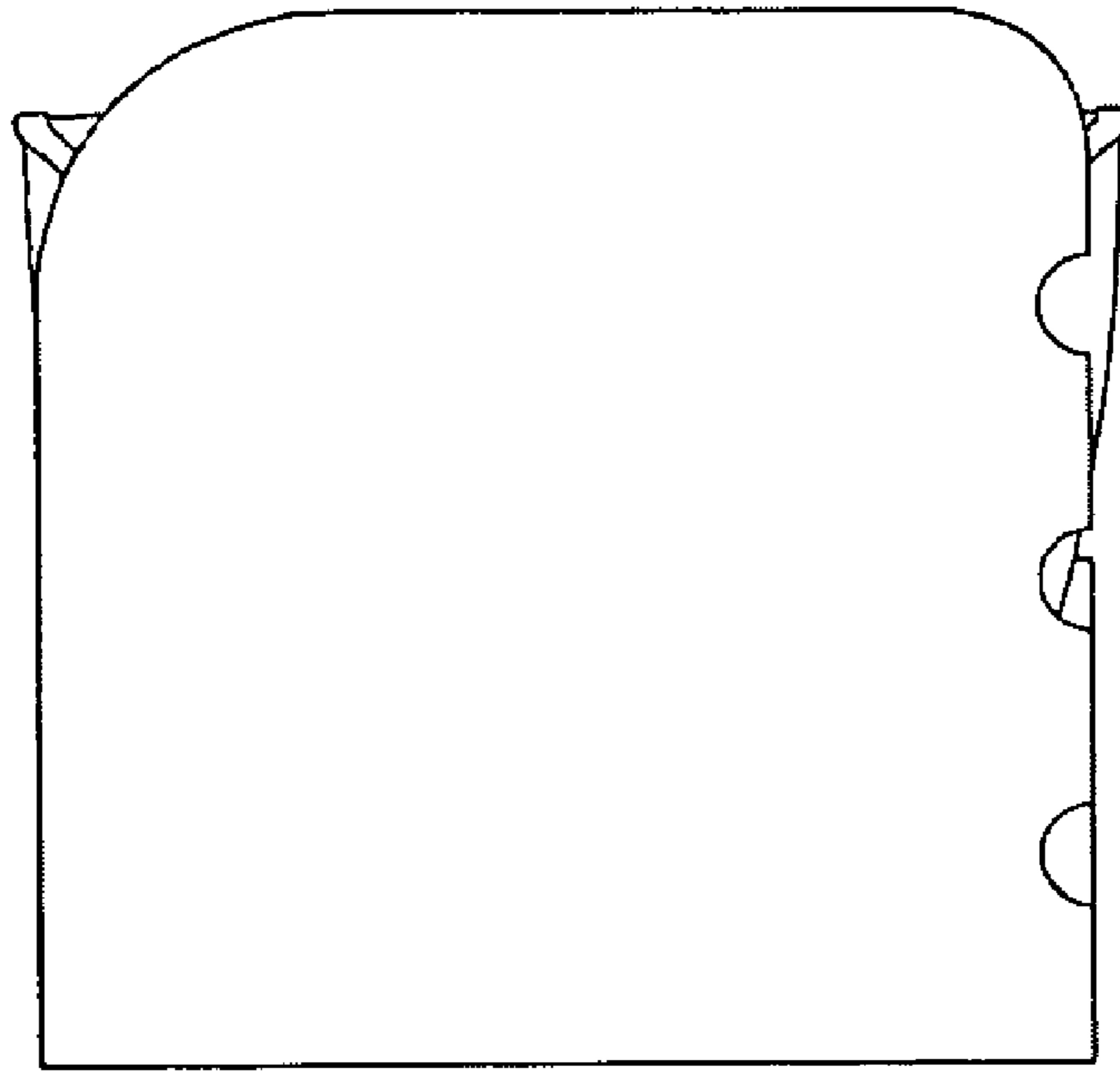
**Fig. 4**



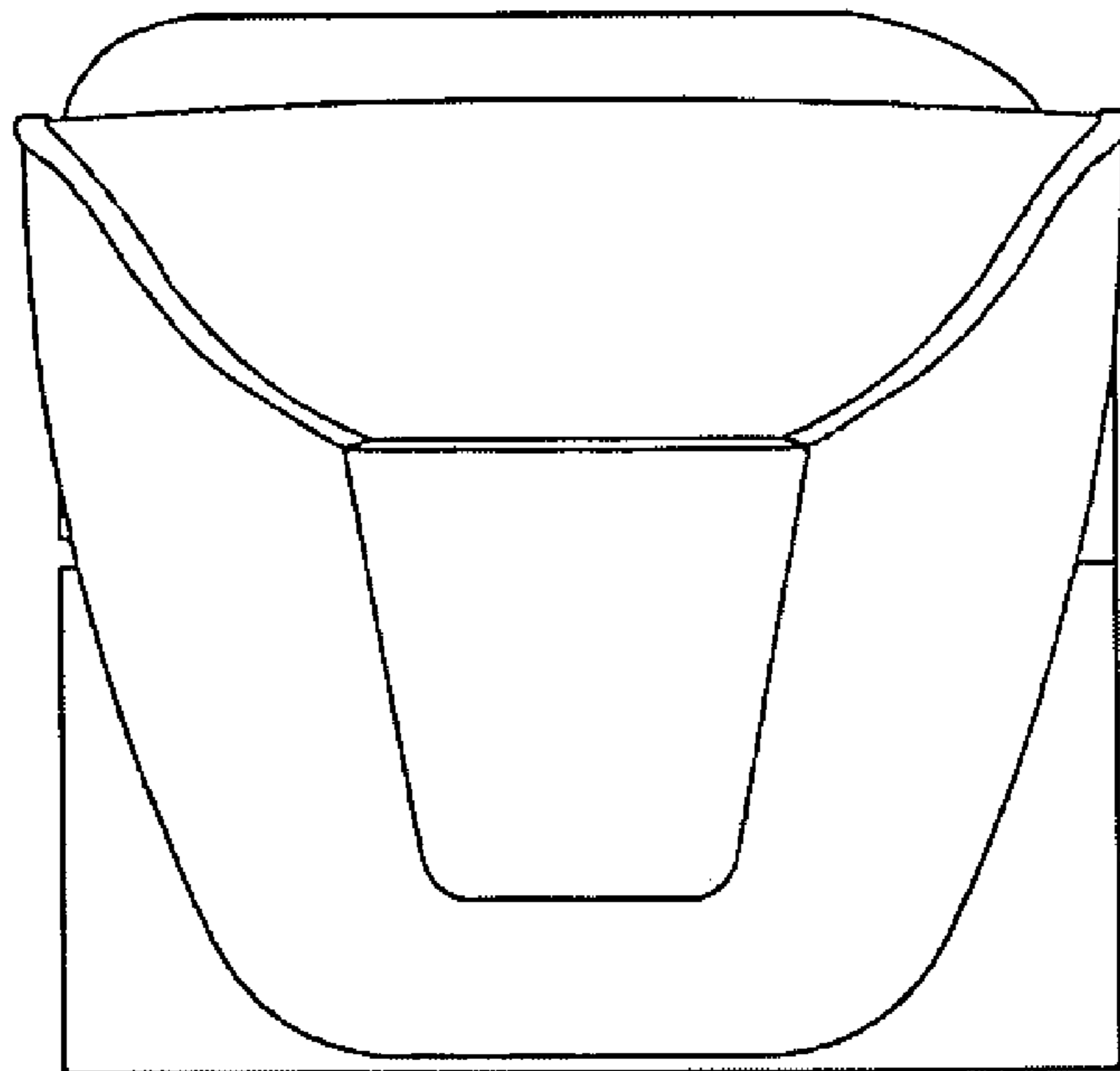
**Fig. 5**



**Fig. 6**



**Fig. 7**



**Fig. 8**