



US00D580210S

(12) **United States Design Patent**
Chen

(10) **Patent No.:** **US D580,210 S**

(45) **Date of Patent:** **** Nov. 11, 2008**

(54) **BARBECUE STOVE**

(75) Inventor: **Jan-Nan Chen**, Taichung (TW)

(73) Assignee: **Pro-Iroda Industries, Inc.**, Taichung (TW)

(**) Term: **14 Years**

(21) Appl. No.: **29/305,360**

(22) Filed: **Mar. 19, 2008**

(51) **LOC (8) Cl.** **07-02**

(52) **U.S. Cl.** **D7/337**

(58) **Field of Classification Search** D7/332-337,
D7/402-405, 352, 353; 126/519, 25 R, 25 A,
126/25 AA, 41 R, 29, 30, 9 R, 38, 37 R, 40,
126/50, 250; 99/444-445, 448, 481-482,
99/372, 375, 250, 389

See application file for complete search history.

(56) **References Cited**

U.S. PATENT DOCUMENTS

D519,776 S *	5/2006	Chen	D7/352
D533,392 S *	12/2006	Yeung	D7/352
D543,410 S *	5/2007	Cohen et al.	D7/352
7,367,332 B2 *	5/2008	Mosher et al.	126/9 R

* cited by examiner

Primary Examiner—Ruth McInroy

(74) *Attorney, Agent, or Firm*—Alan Kamrath; Kamrath & Associates PA

(57) **CLAIM**

The ornamental design for barbecue stove, as shown and described.

DESCRIPTION

FIG. 1 is a perspective view of a barbecue stove showing my new design;

FIG. 2 is a front view thereof;

FIG. 3 is a rear view thereof;

FIG. 4 is a left view thereof;

FIG. 5 is a right view thereof;

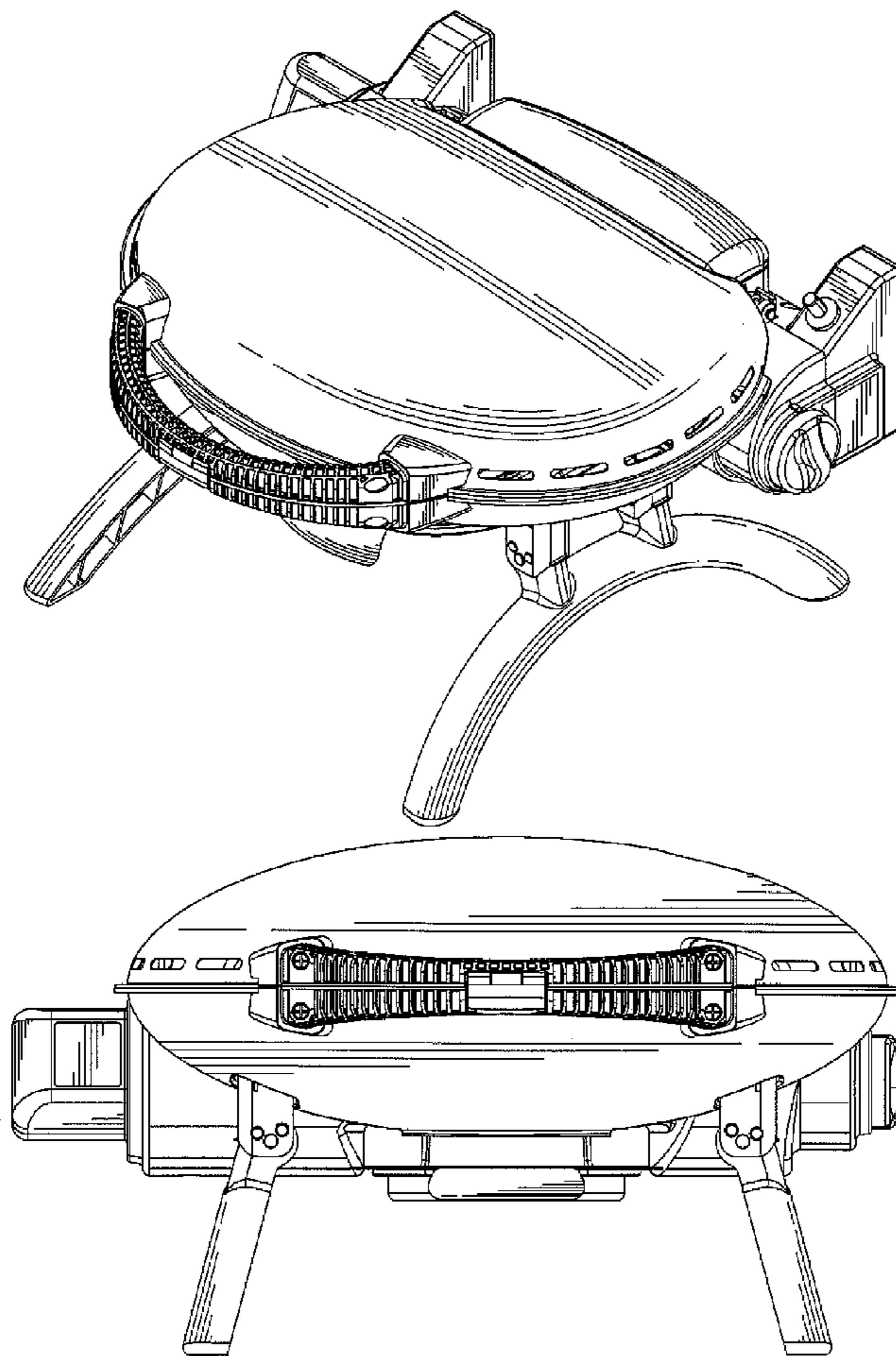
FIG. 6 is a top view thereof;

FIG. 7 is a bottom view thereof;

FIG. 8 is a perspective view thereof, the gas canister shown in broken lines forms no part of the claimed design; and,

FIG. 9 is a perspective view thereof, showing the legs in a folded position.

1 Claim, 9 Drawing Sheets



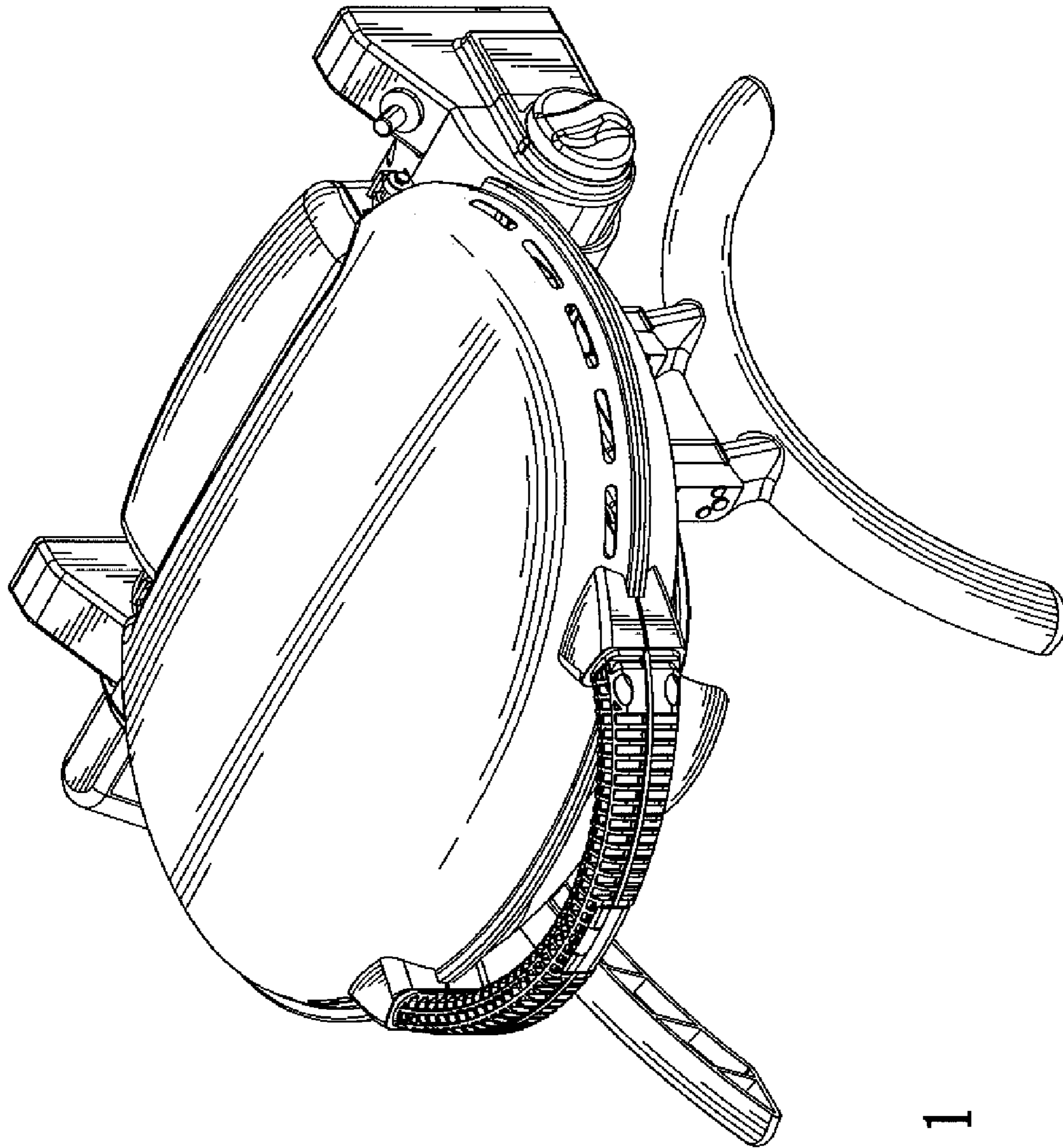


Fig. 1

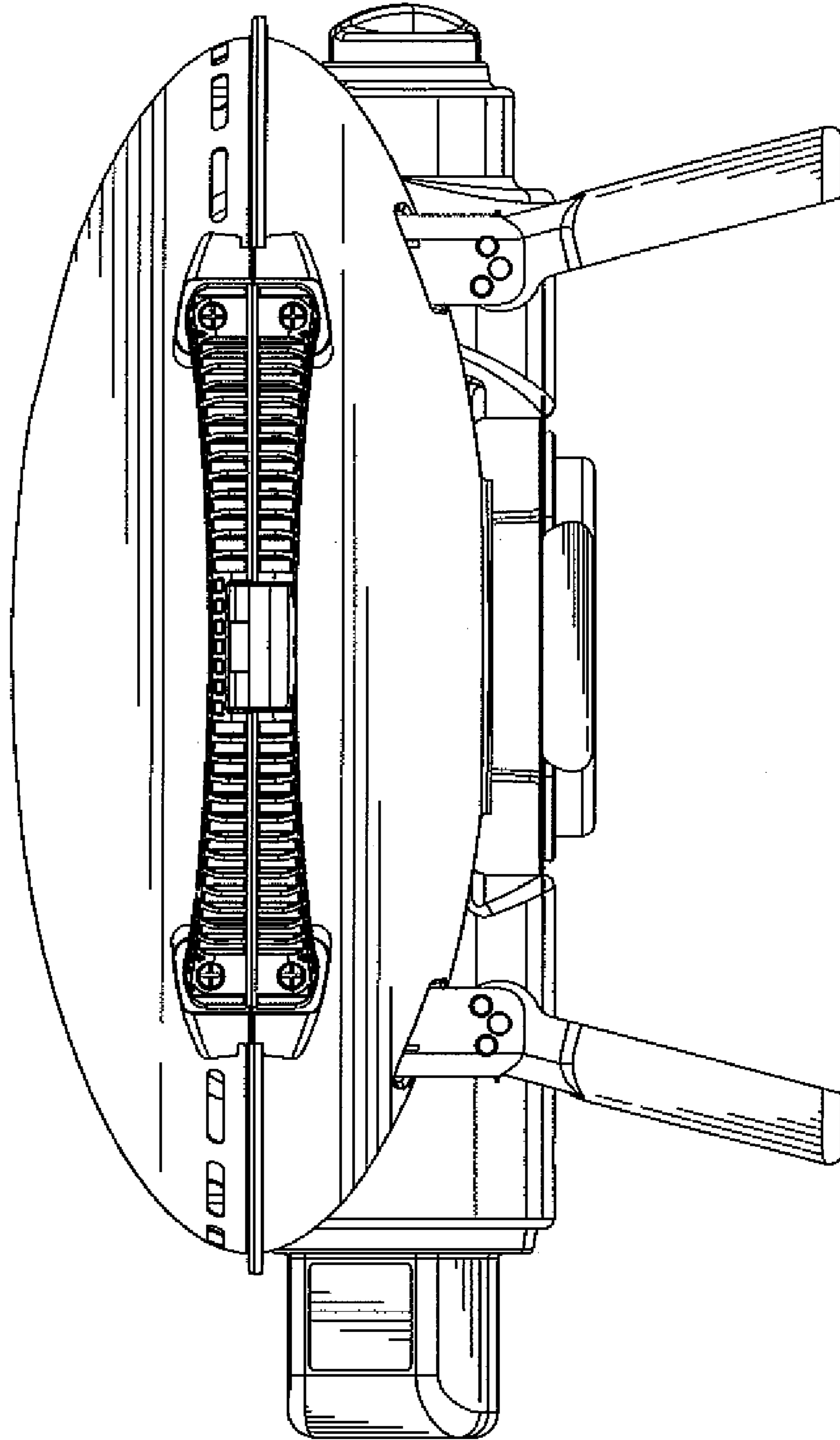


Fig. 2

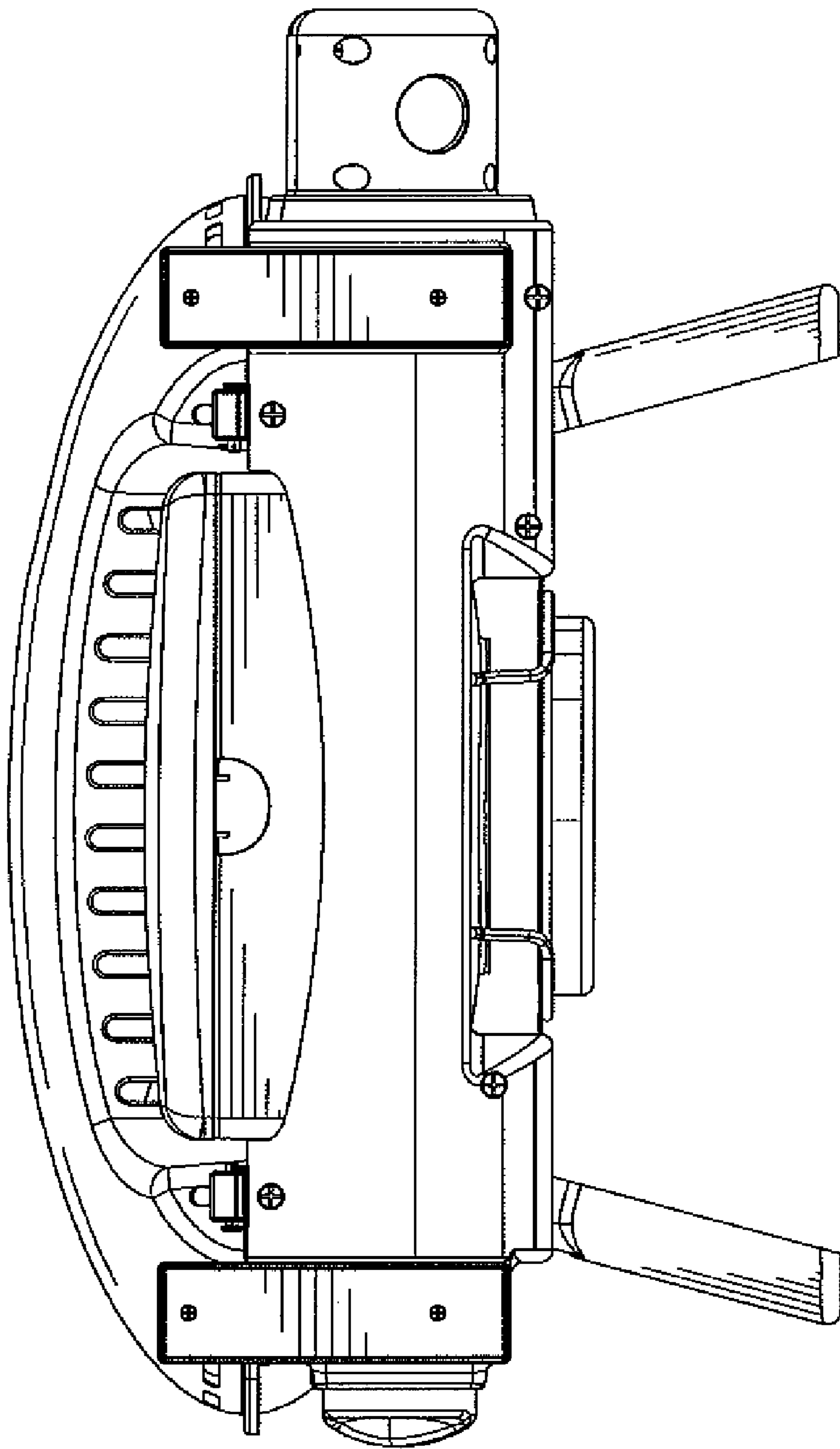


Fig. 3

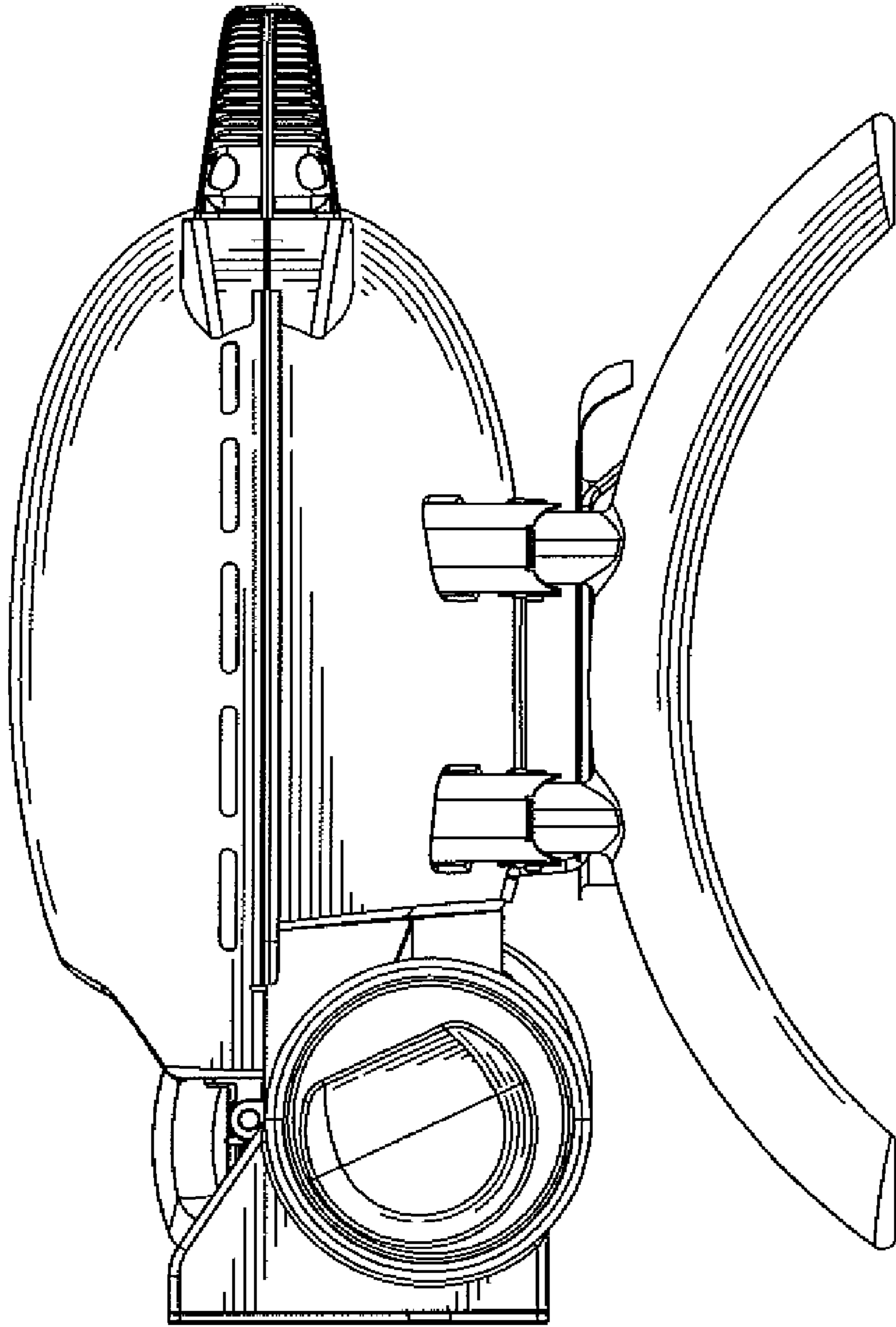


Fig. 4

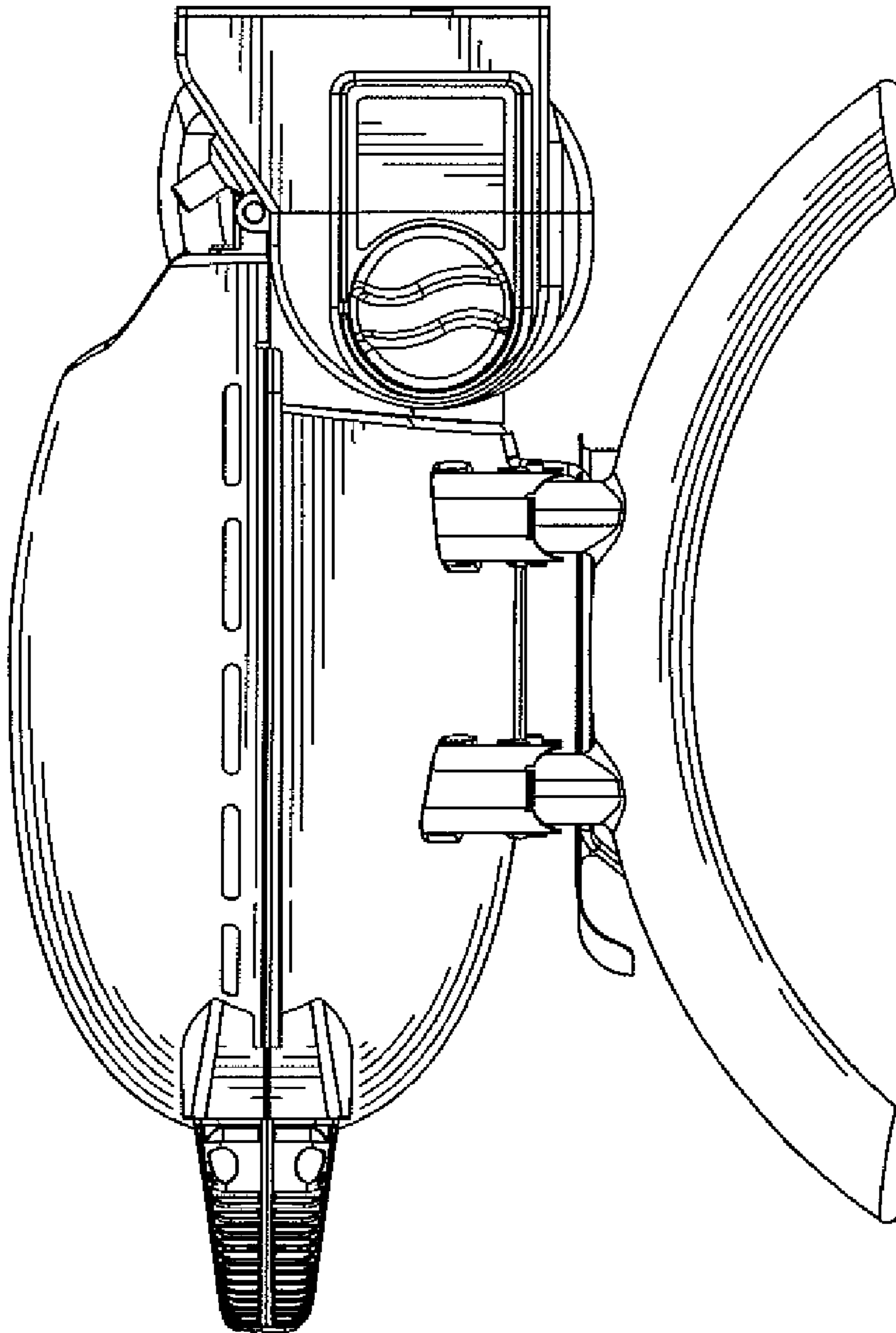


Fig. 5

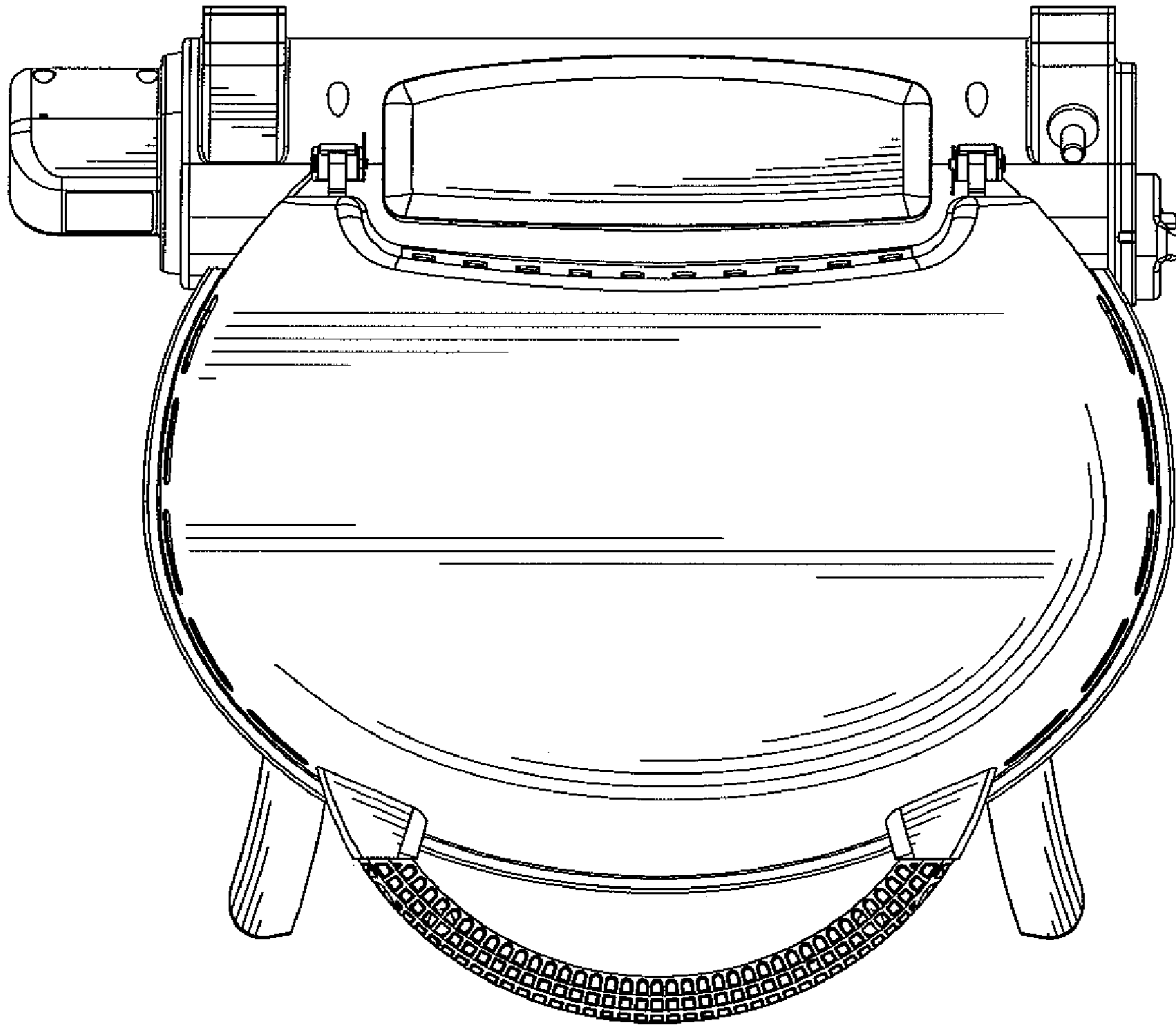


Fig. 6

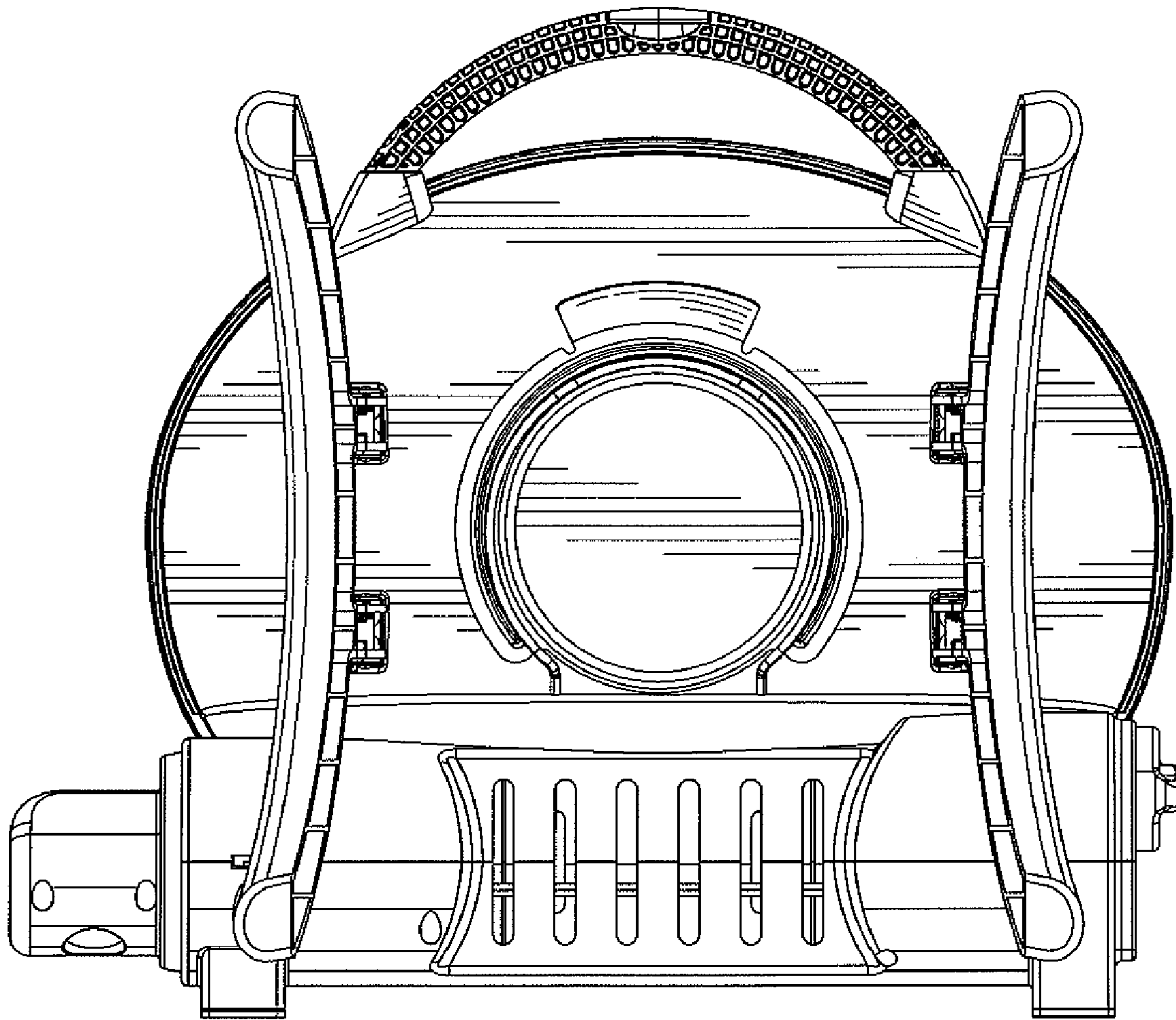


Fig. 7

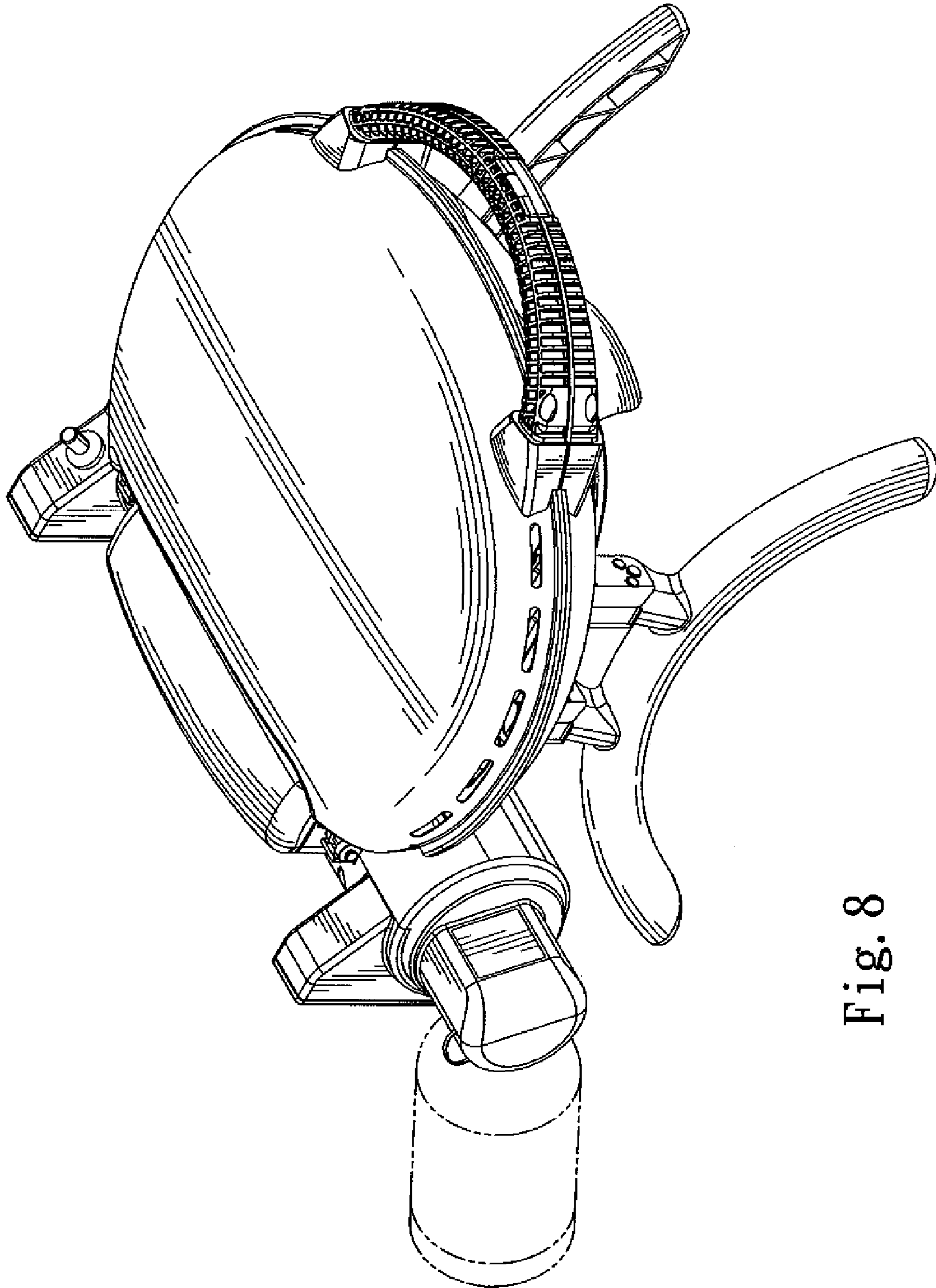


Fig. 8

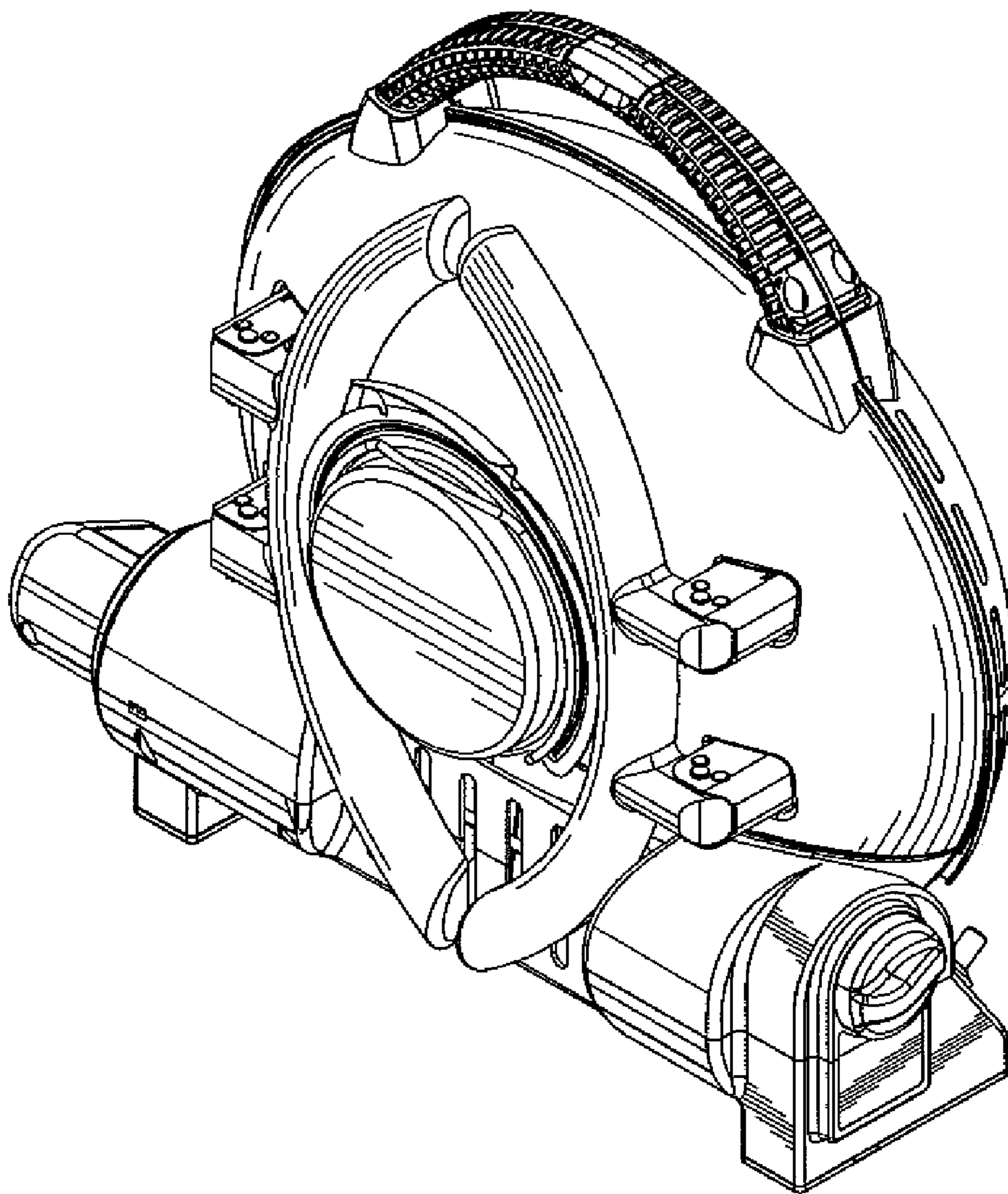


Fig. 9