



US00D580201S

(12) **United States Design Patent**
Davis

(10) **Patent No.:** **US D580,201 S**
(45) **Date of Patent:** **** Nov. 11, 2008**

(54) **DESK TOP**

D508,344 S * 8/2005 Hwang D6/425

(75) Inventor: **Bradford L. Davis**, 15151 Buchanan St.,
West Olive, MI (US) 49460

* cited by examiner

Primary Examiner—Janice E Seeger

(73) Assignee: **Bradford L. Davis**, West Olive, MI (US)

(74) *Attorney, Agent, or Firm*—Warner Norcross & Judd

(**) Term: **14 Years**

(57) **CLAIM**

(21) Appl. No.: **29/279,862**

The ornamental design for a desk top, as shown and described.

(22) Filed: **May 9, 2007**

DESCRIPTION

(51) **LOC (8) Cl.** **06-03**

FIG. 1 is a perspective view of the desk top embodying my new design;

(52) **U.S. Cl.** **D6/511**

FIG. 2 is a top plan view thereof;

(58) **Field of Classification Search** D6/422–428,

FIG. 3 is a bottom plan view thereof;

D6/397, 429–431; 108/50.01, 50.02, 33,

FIG. 4 is a front elevational view thereof;

108/34, 115, 38; 312/194–196, 239

FIG. 5 is a rear elevational view thereof; and,

See application file for complete search history.

FIG. 6 is a right side elevational view thereof, the left side elevational view being a mirror image thereof.

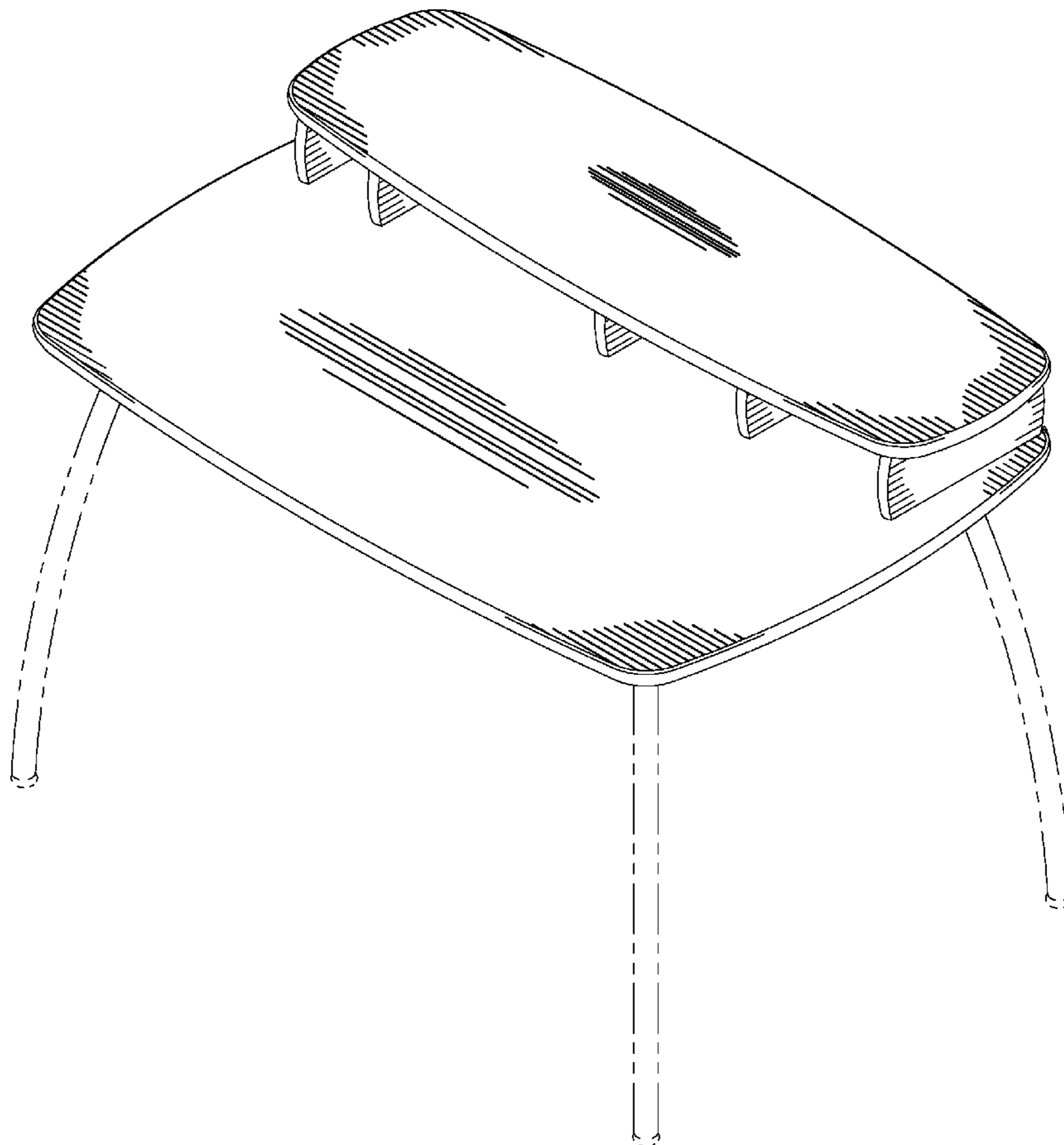
(56) **References Cited**

FIGS. 1–6 show the desk legs in phantom lines. The phantom lines are shown for environmental purposes and form no part of the claimed design.

U.S. PATENT DOCUMENTS

D261,713 S *	11/1981	Curatolo	D6/426
D267,690 S *	1/1983	Verdesca	D6/426
D414,350 S *	9/1999	Fear et al.	D6/426
D435,368 S *	12/2000	Tzeng	D6/480
D487,547 S *	3/2004	Pomodoro	D6/426

1 Claim, 6 Drawing Sheets



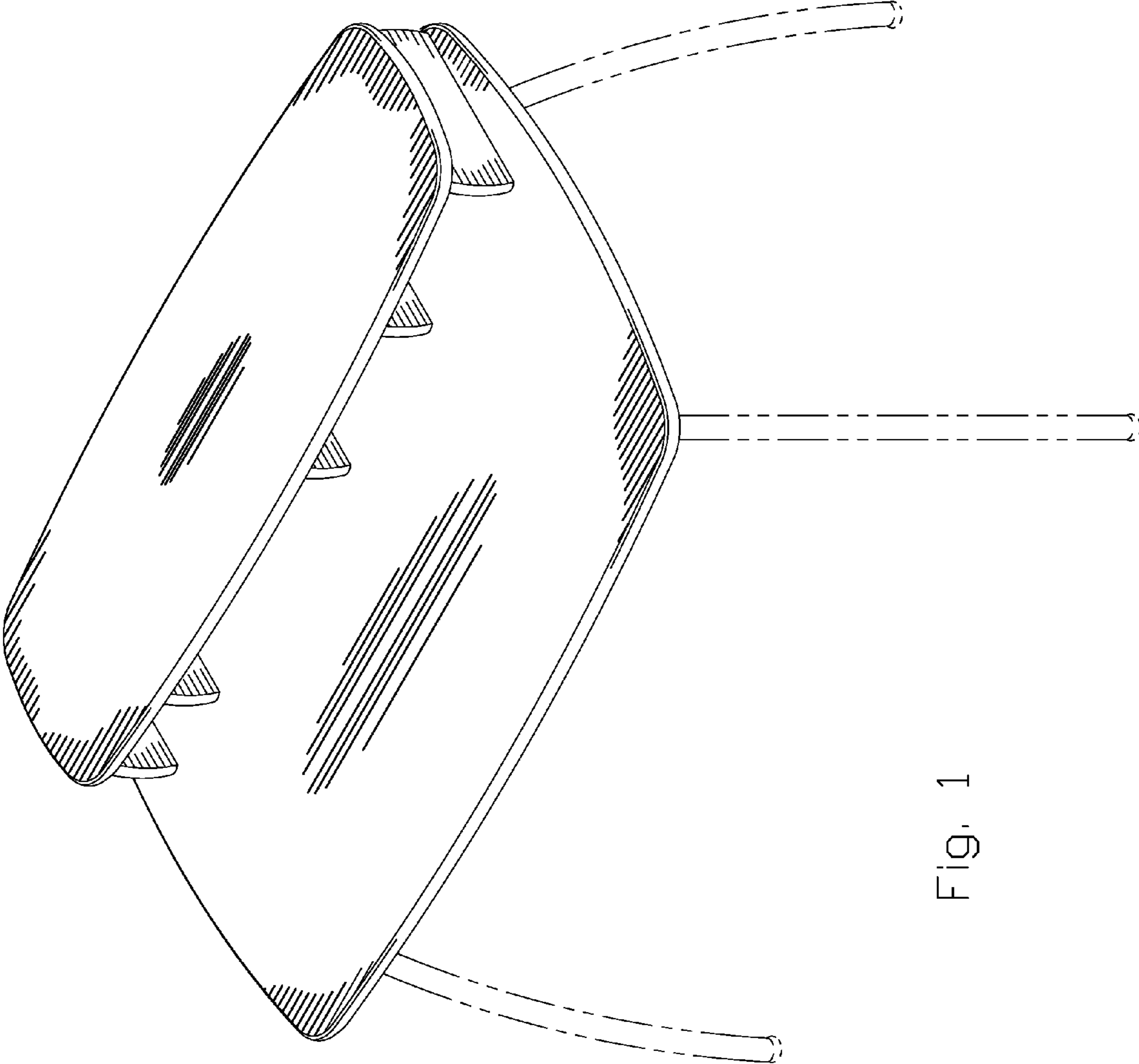


Fig. 1

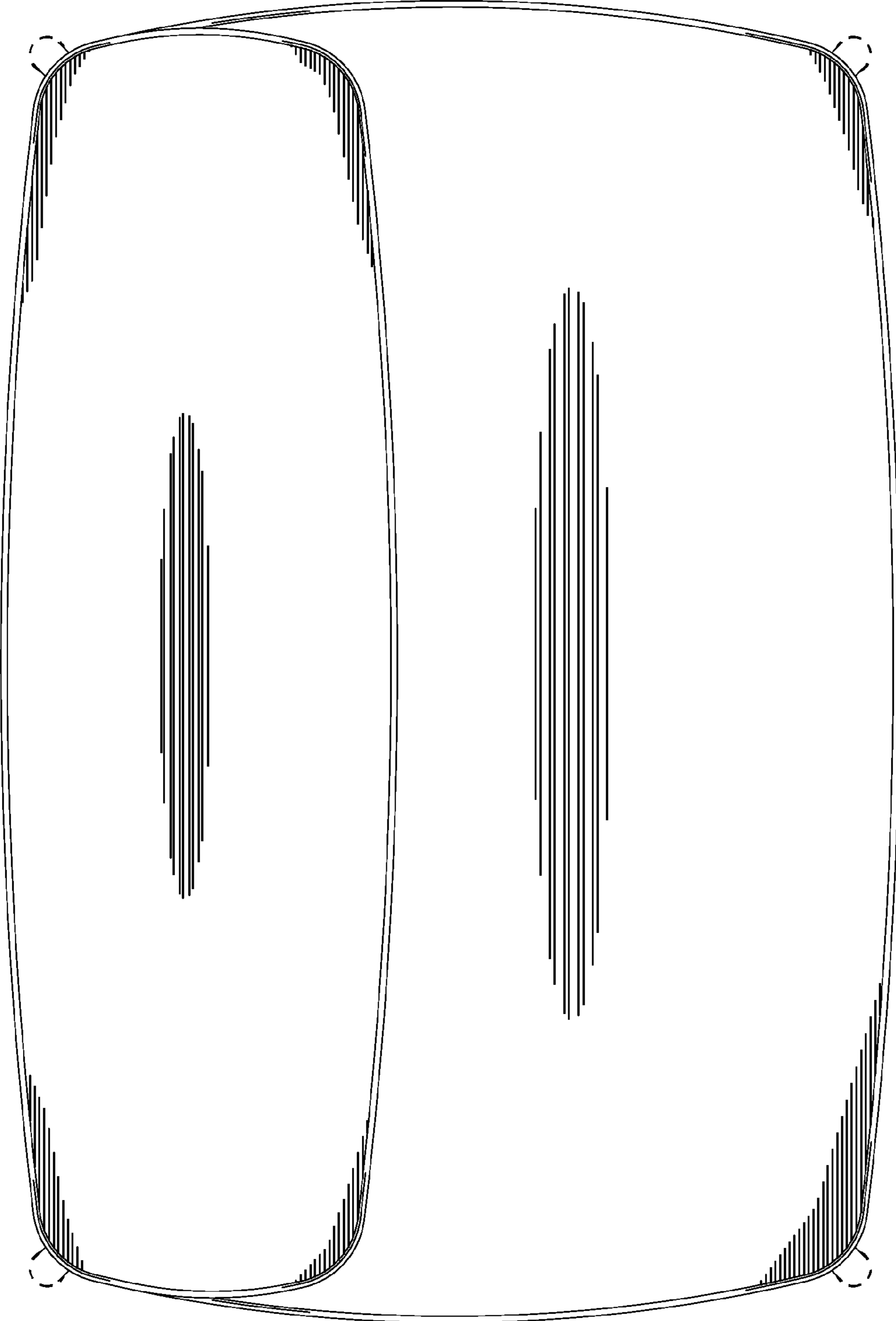


Fig. 2

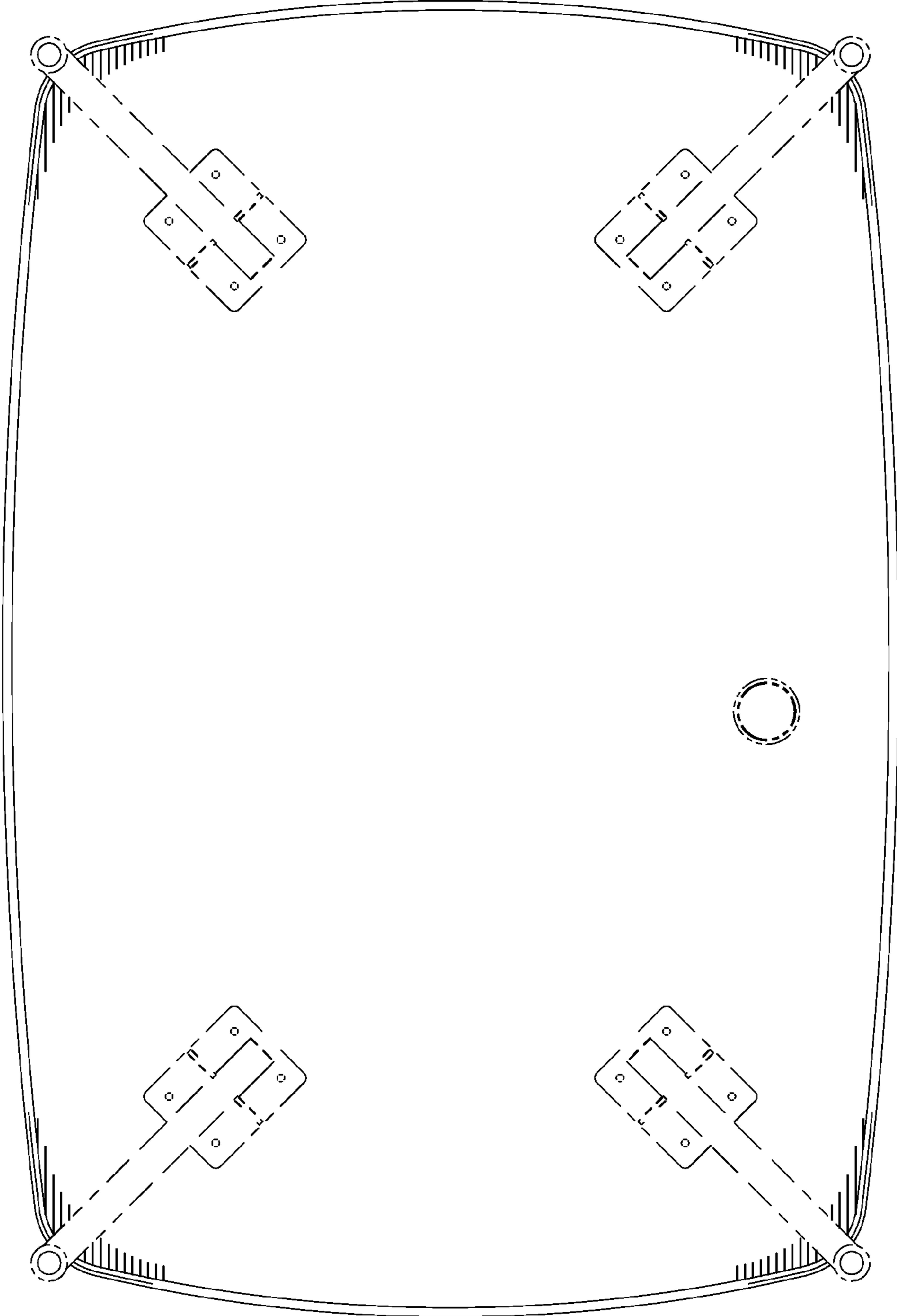


Fig. 3

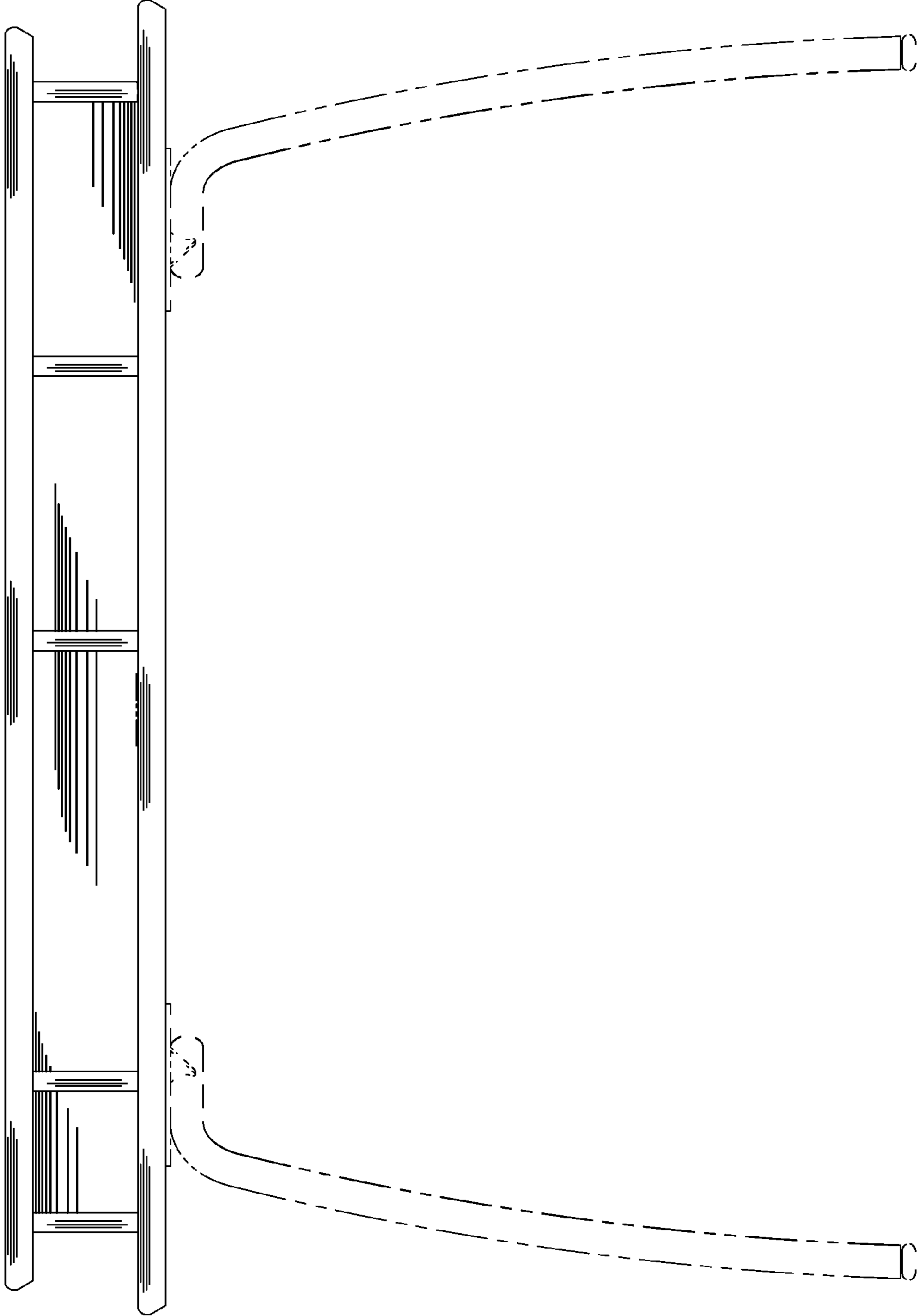


Fig. 4

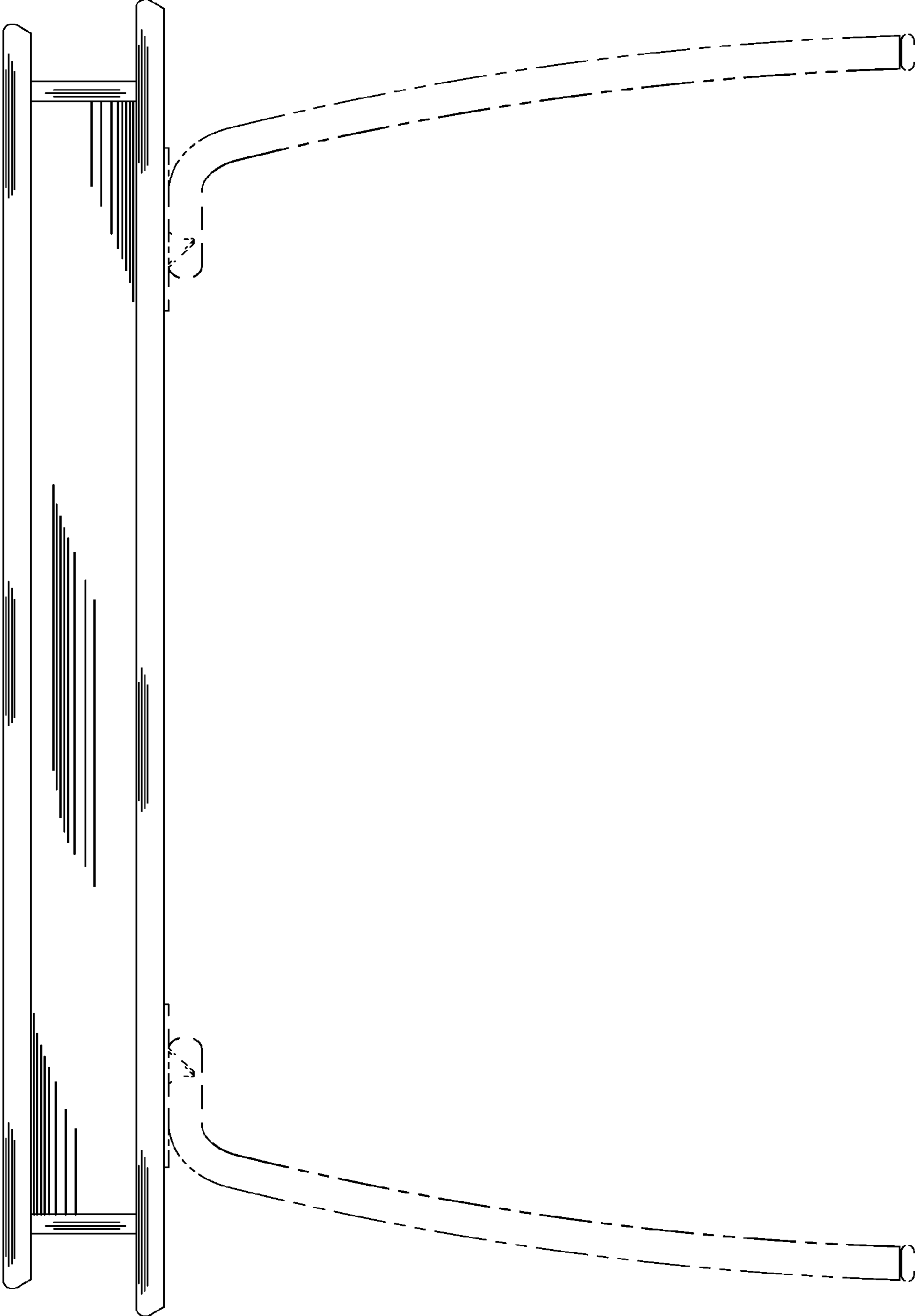


Fig. 5

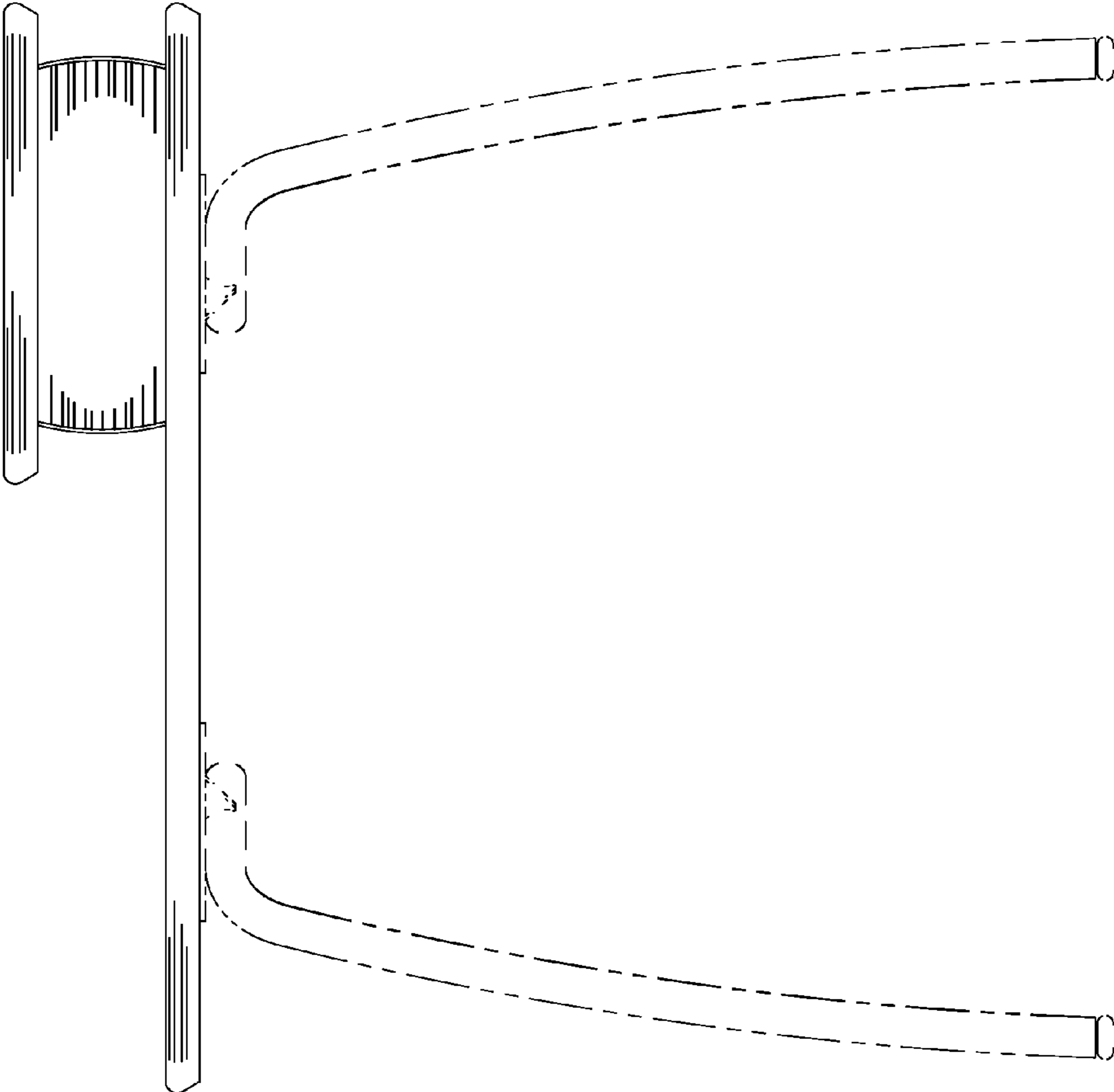


Fig. 6