



US00D580197S

(12) **United States Design Patent**
Lee

(10) **Patent No.:** **US D580,197 S**
(45) **Date of Patent:** **** Nov. 11, 2008**

- (54) **FRAME FOR A ROCKING CHAIR**
 - (76) Inventor: **Lawrence K. Lee**, 9320 Harwin Dr.,
Houston, TX (US) 77036
 - (**) Term: **14 Years**
 - (21) Appl. No.: **29/318,064**
 - (22) Filed: **May 13, 2008**
 - (51) **LOC (8) Cl.** **06-01**
 - (52) **U.S. Cl.** **D6/500; D6/348**
 - (58) **Field of Classification Search** D6/334-336,
D6/344, 347, 348, 369, 370, 374, 376, 379,
D6/380, 499, 500-502; 297/271.5, 271.6,
297/272.1, 440.15, 445.1, 446.1, 447.4, 452.1,
297/8, 452.63, 452.64
- See application file for complete search history.

(56) **References Cited**

U.S. PATENT DOCUMENTS

D118,405 S *	1/1940	Johnson	D6/347
D139,181 S *	10/1944	Mock	D6/346
D149,900 S *	6/1948	Mock	D6/346
3,873,154 A *	3/1975	Baker, Jr.	297/447.4
D252,238 S *	7/1979	Van Sant	D6/379
D319,355 S *	8/1991	Hess	D6/379
D333,577 S *	3/1993	Danko	D6/380
D352,611 S *	11/1994	Deardorff	D6/348
D399,064 S *	10/1998	Noll	D6/344
D399,065 S *	10/1998	Noll	D6/344
D432,323 S *	10/2000	Pomeroy et al.	D6/344
D441,976 S *	5/2001	Cramer	D6/380
D450,937 S *	11/2001	Pomeroy et al.	D6/344
D509,966 S *	9/2005	Katz et al.	D6/348
D522,763 S *	6/2006	Hankins et al.	D6/348
D566,975 S *	4/2008	Lee	D6/348

* cited by examiner

Primary Examiner—Mimosa De
(74) *Attorney, Agent, or Firm*—Egbert Law Office

(57) **CLAIM**

The ornamental design for the frame for a rocking chair, as shown and described.

DESCRIPTION

FIG. 1 is an upper perspective view of the frame for a rocking chair showing my design.

FIG. 2 is a front view thereof;

FIG. 3 is a back view thereof;

FIG. 4 is a side view thereof;

FIG. 5 is an opposite side view thereof;

FIG. 6 is a top plan view thereof;

FIG. 7 is a bottom view thereof;

FIG. 8 is another upper perspective view of a second embodiment, the difference being a matter of length;

FIG. 9 is an upper perspective view thereof, showing the footrest in a first extended position; and,

FIG. 10 is an upper perspective view thereof, showing the footrest in a second extended position.

The frame for a rocking chair is shown with the seat and seat back in broken lines. These elements in broken lines are presented for illustrative purposes only and form no part of the claimed design.

The footrest has a full range of extended positions, only three positions being shown in the present figures.

1 Claim, 4 Drawing Sheets

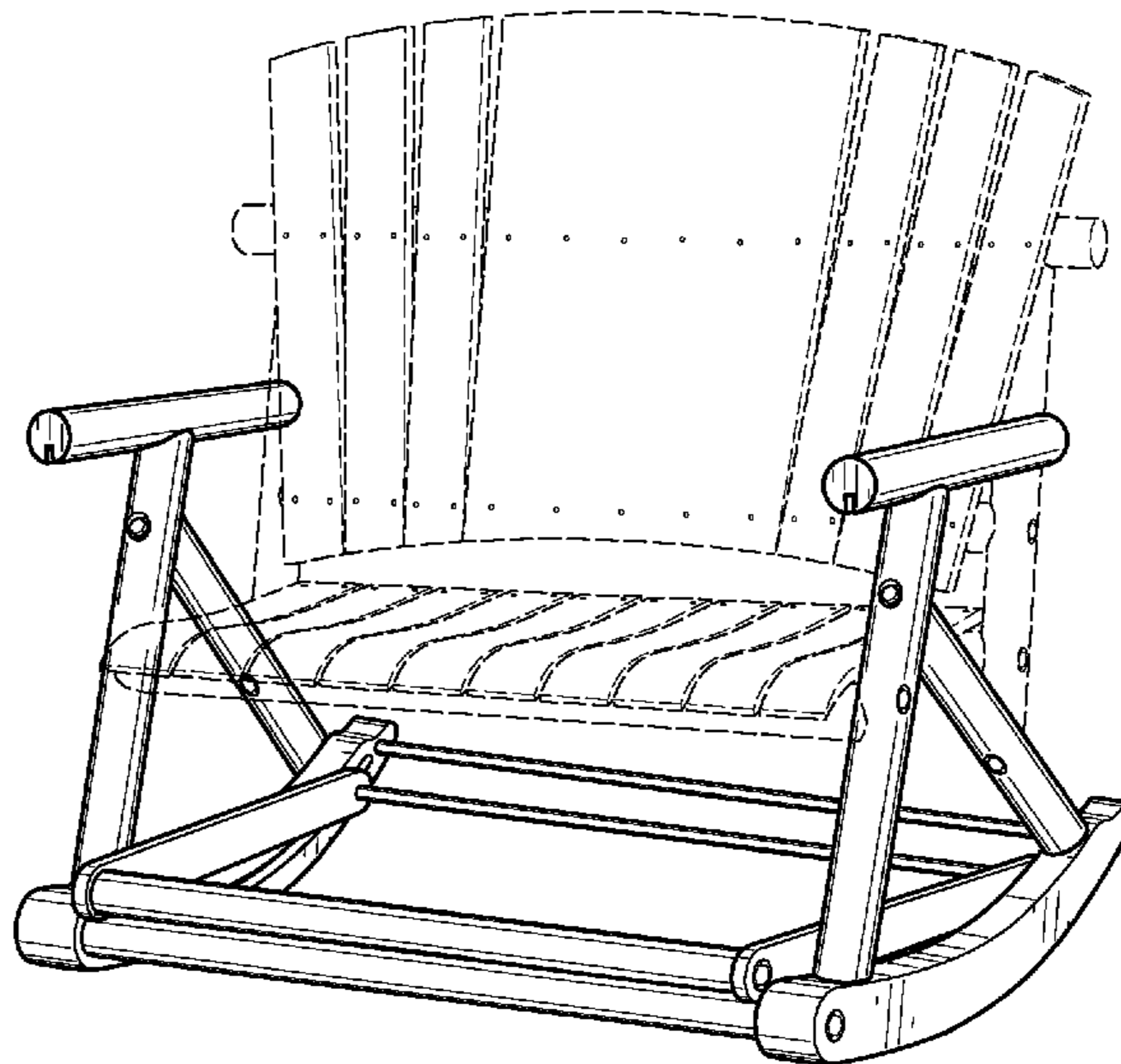
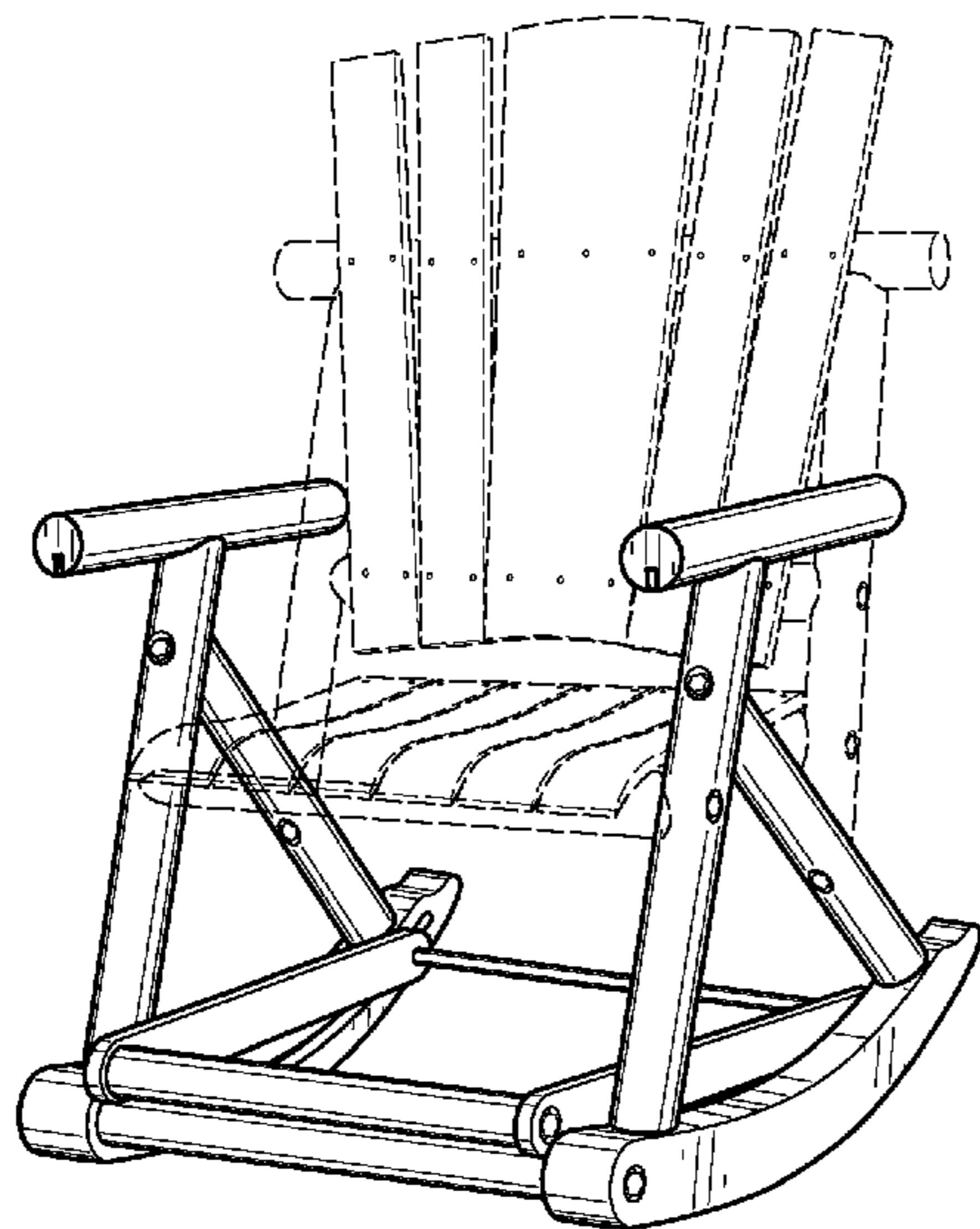


FIG. 1

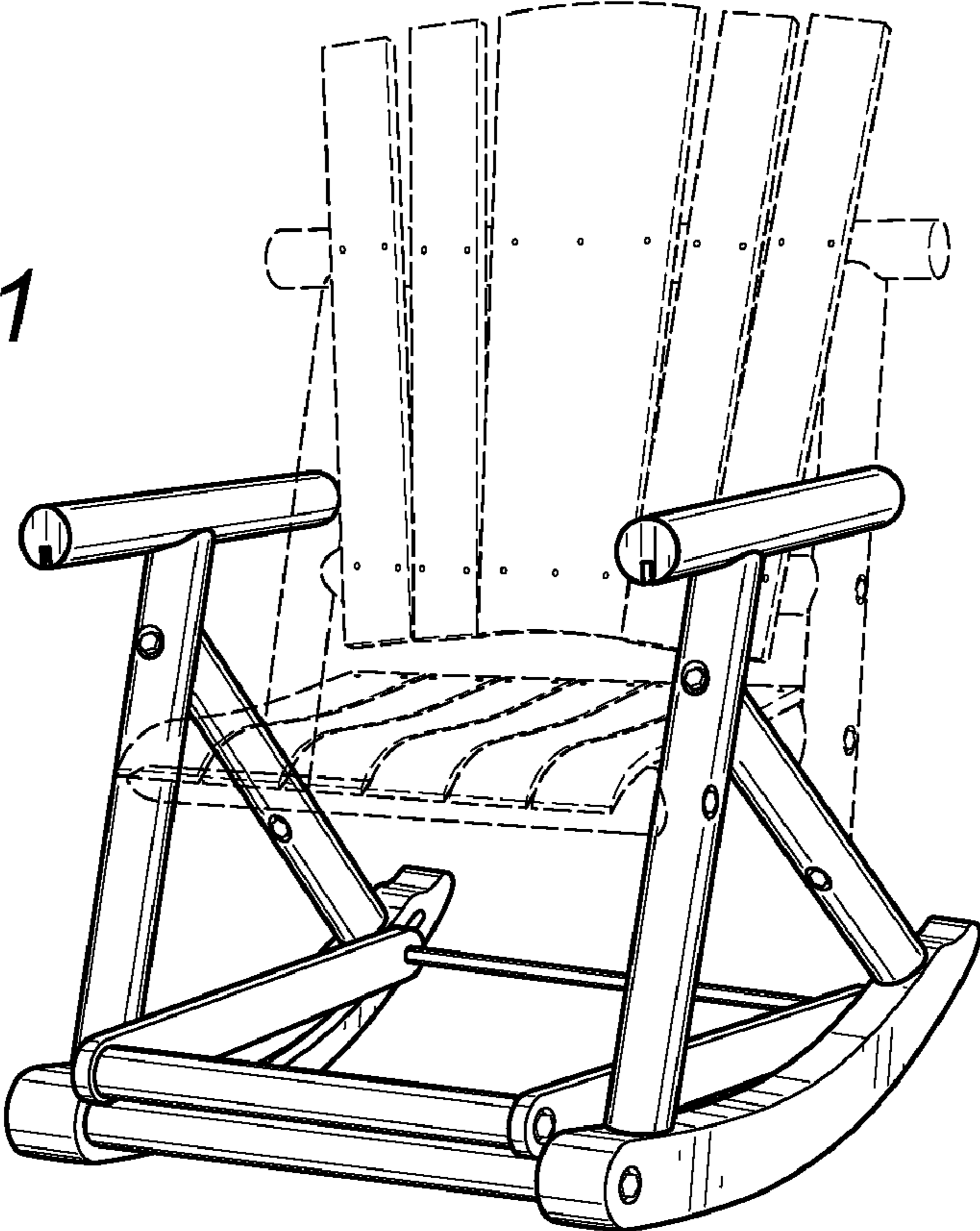
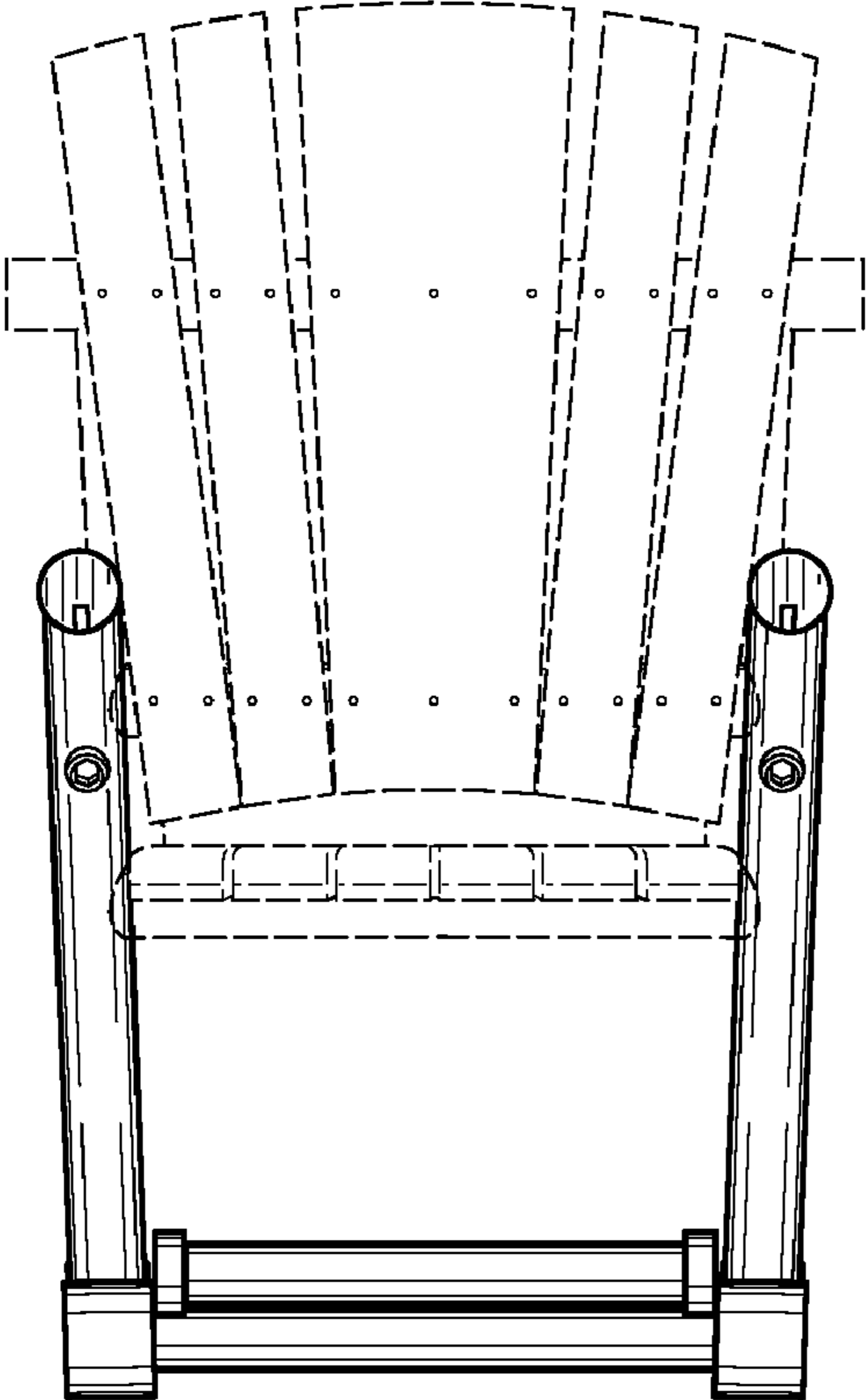


FIG. 2



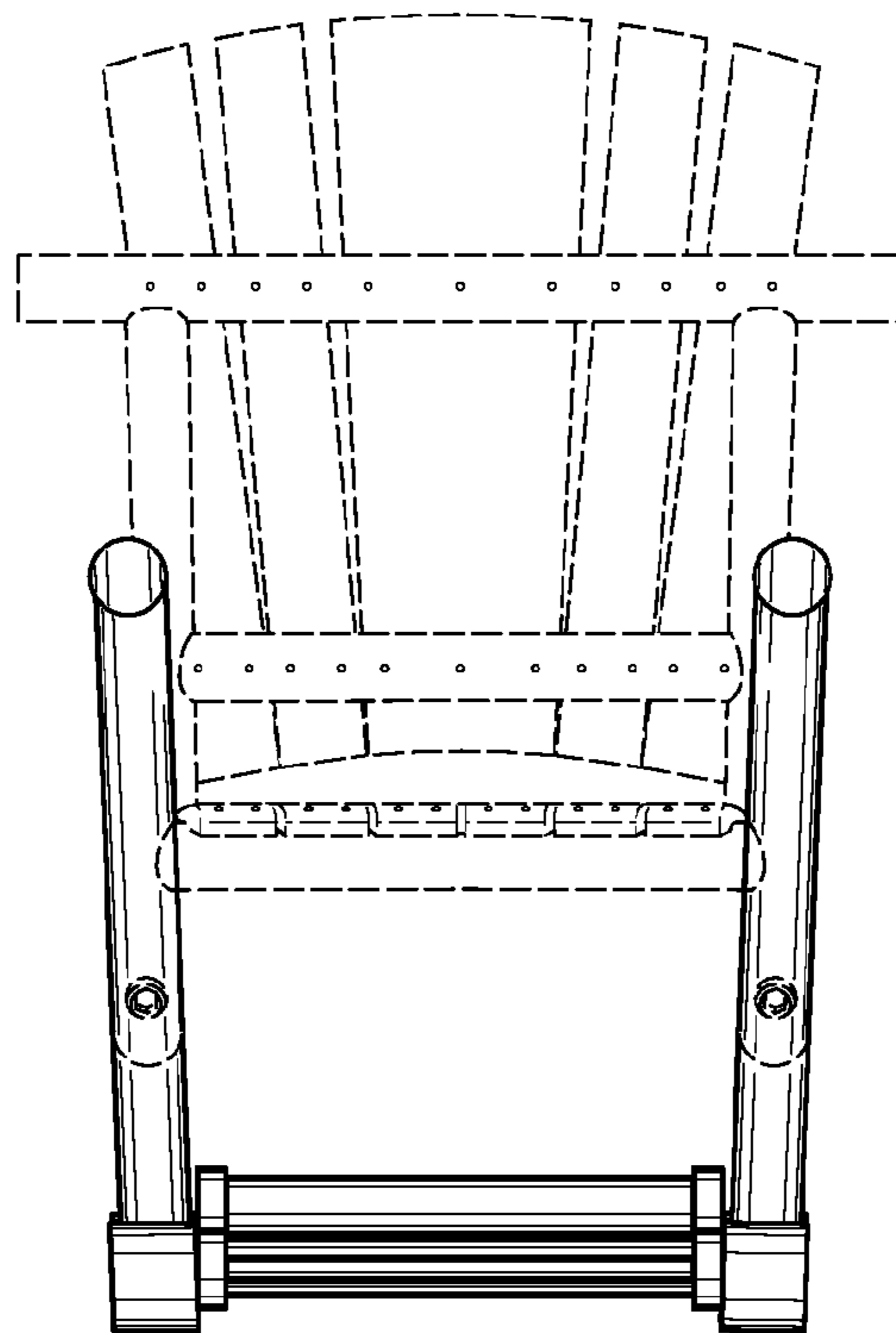


FIG. 3

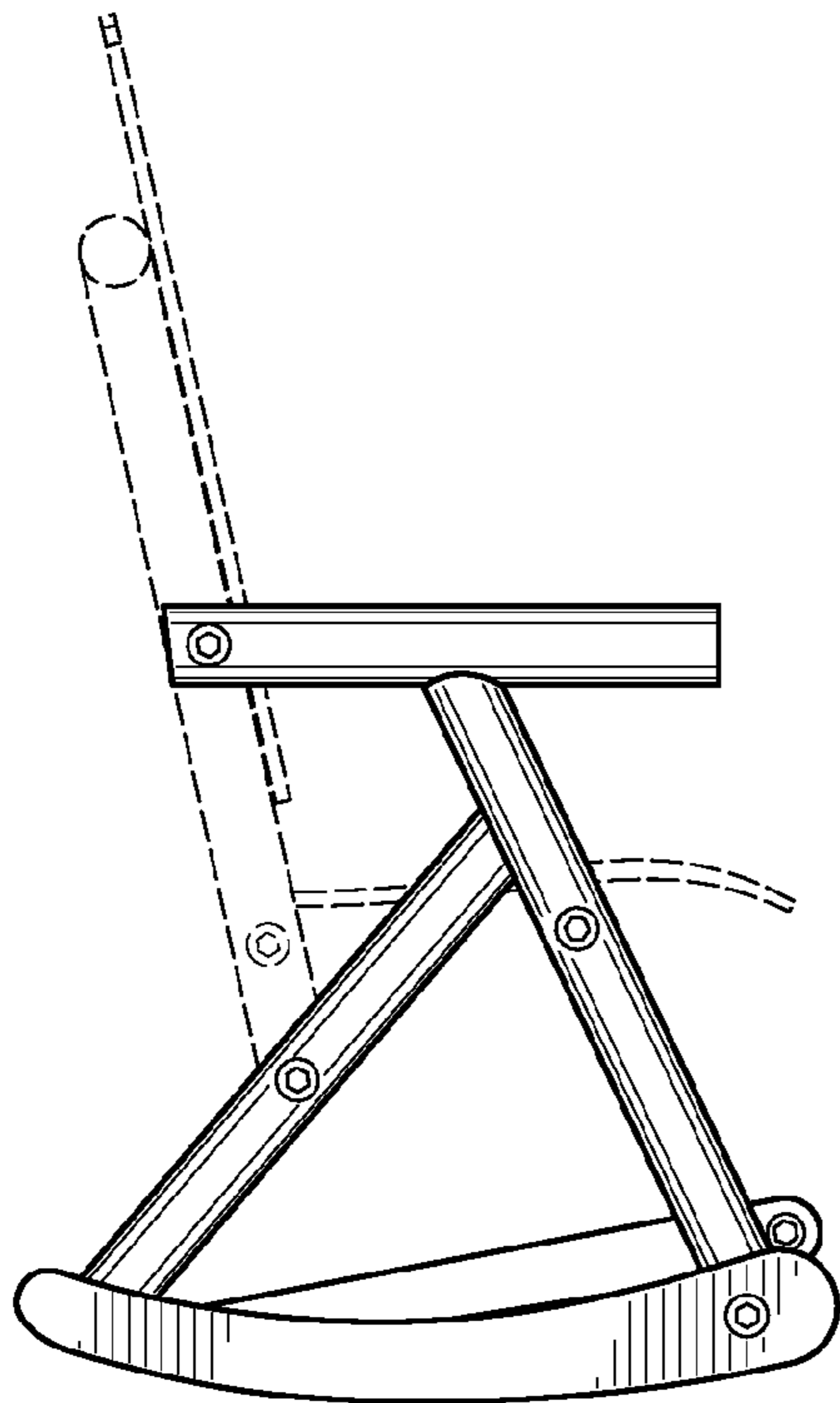


FIG. 4

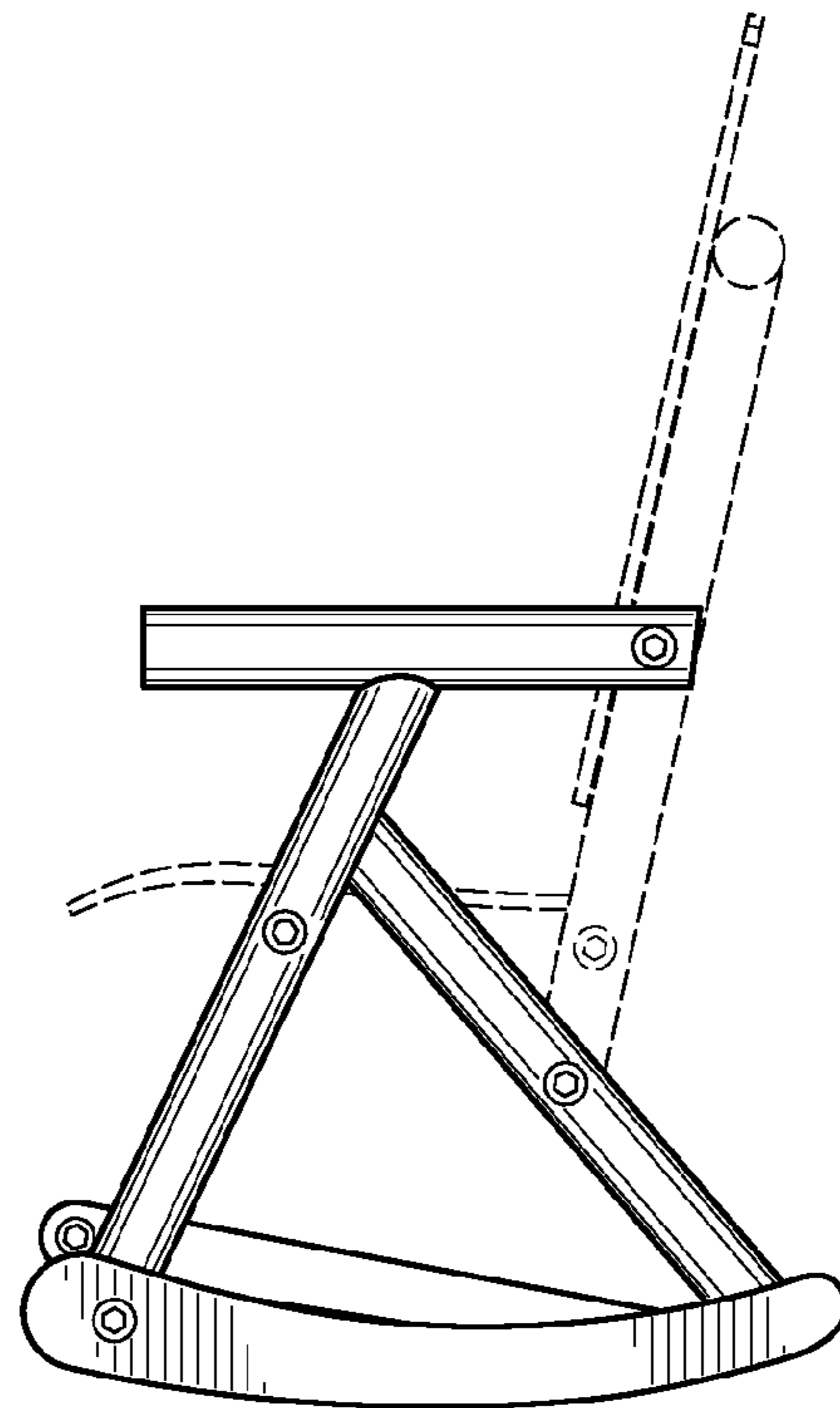


FIG. 5

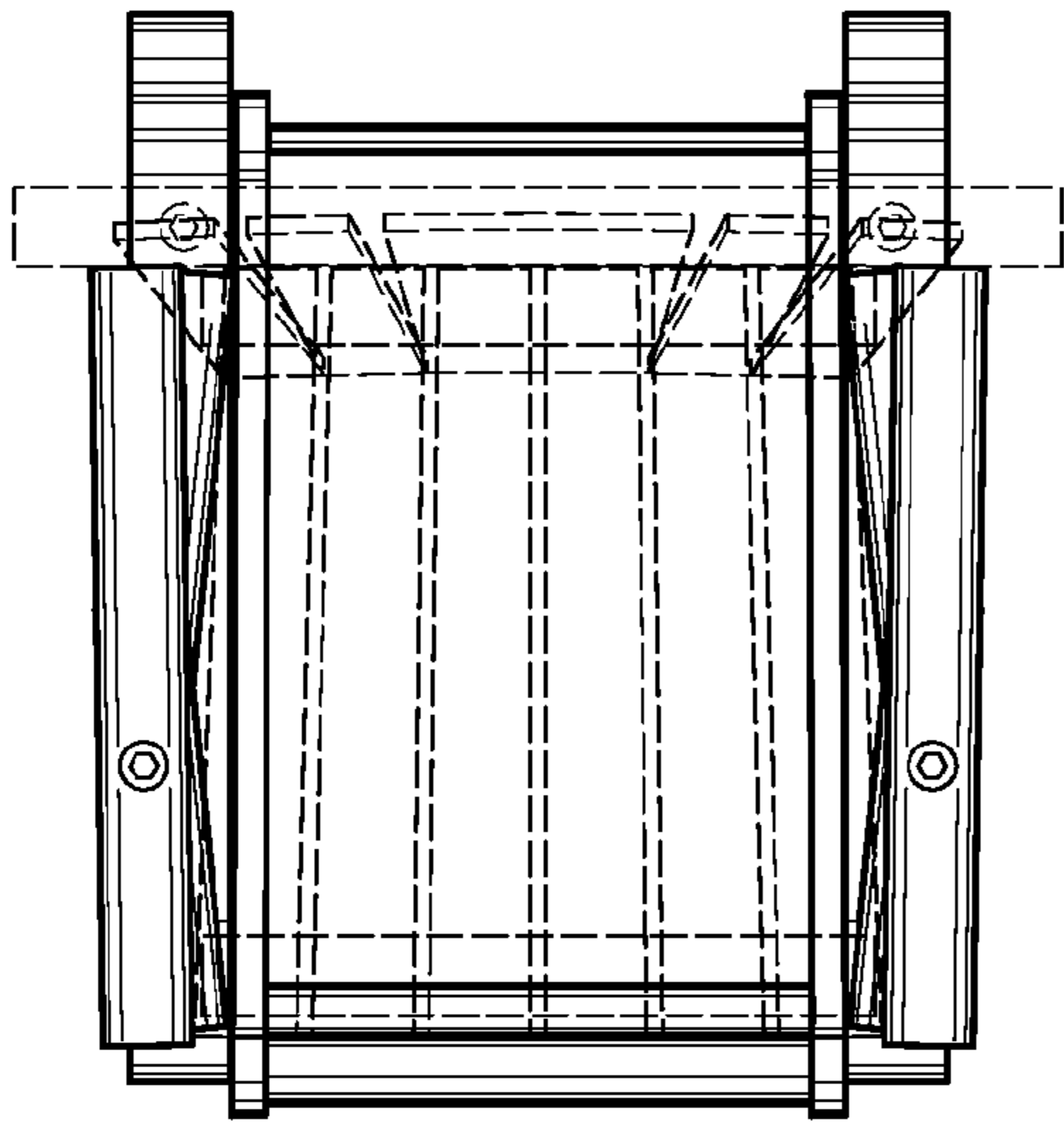


FIG. 6

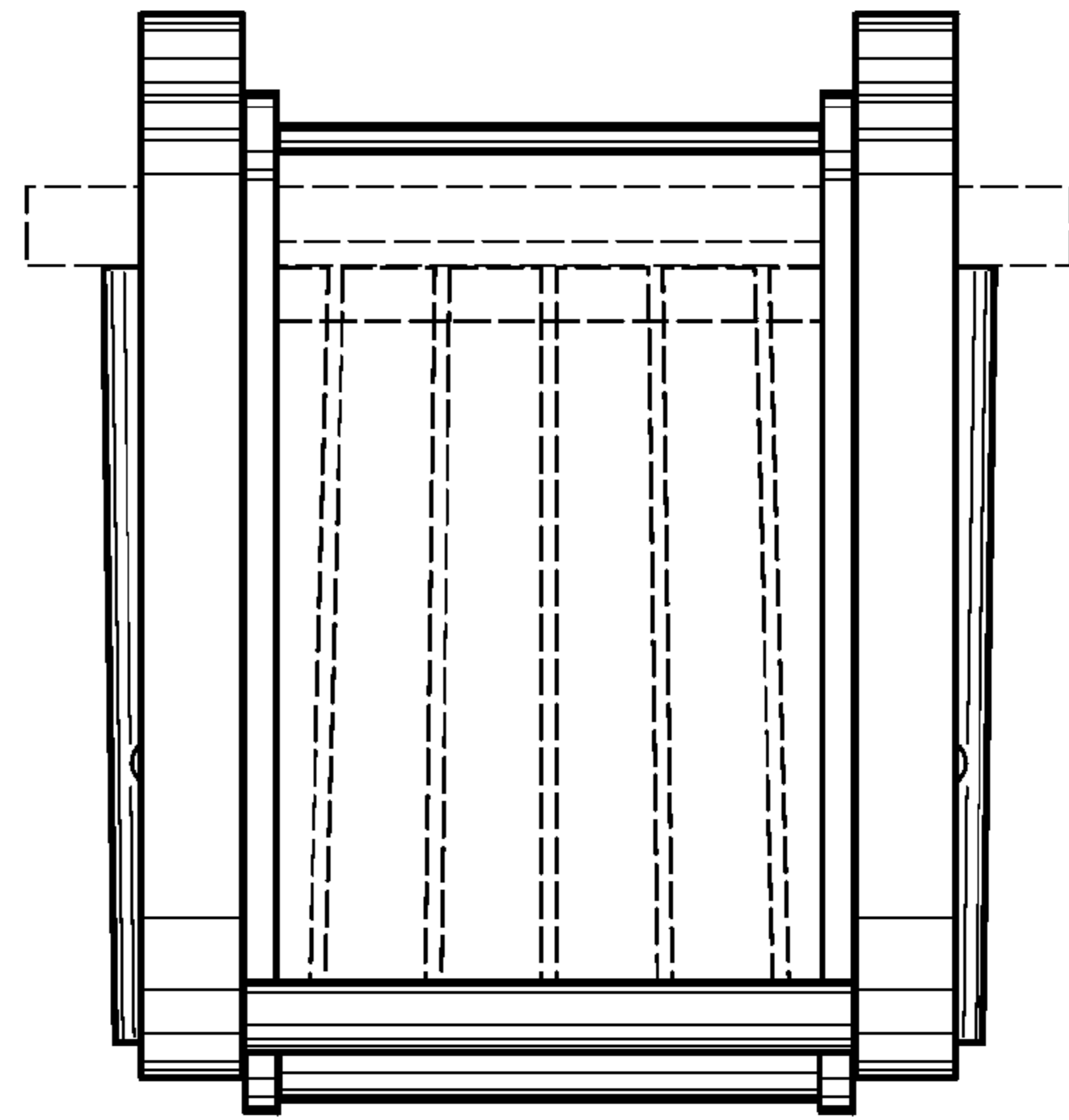


FIG. 7

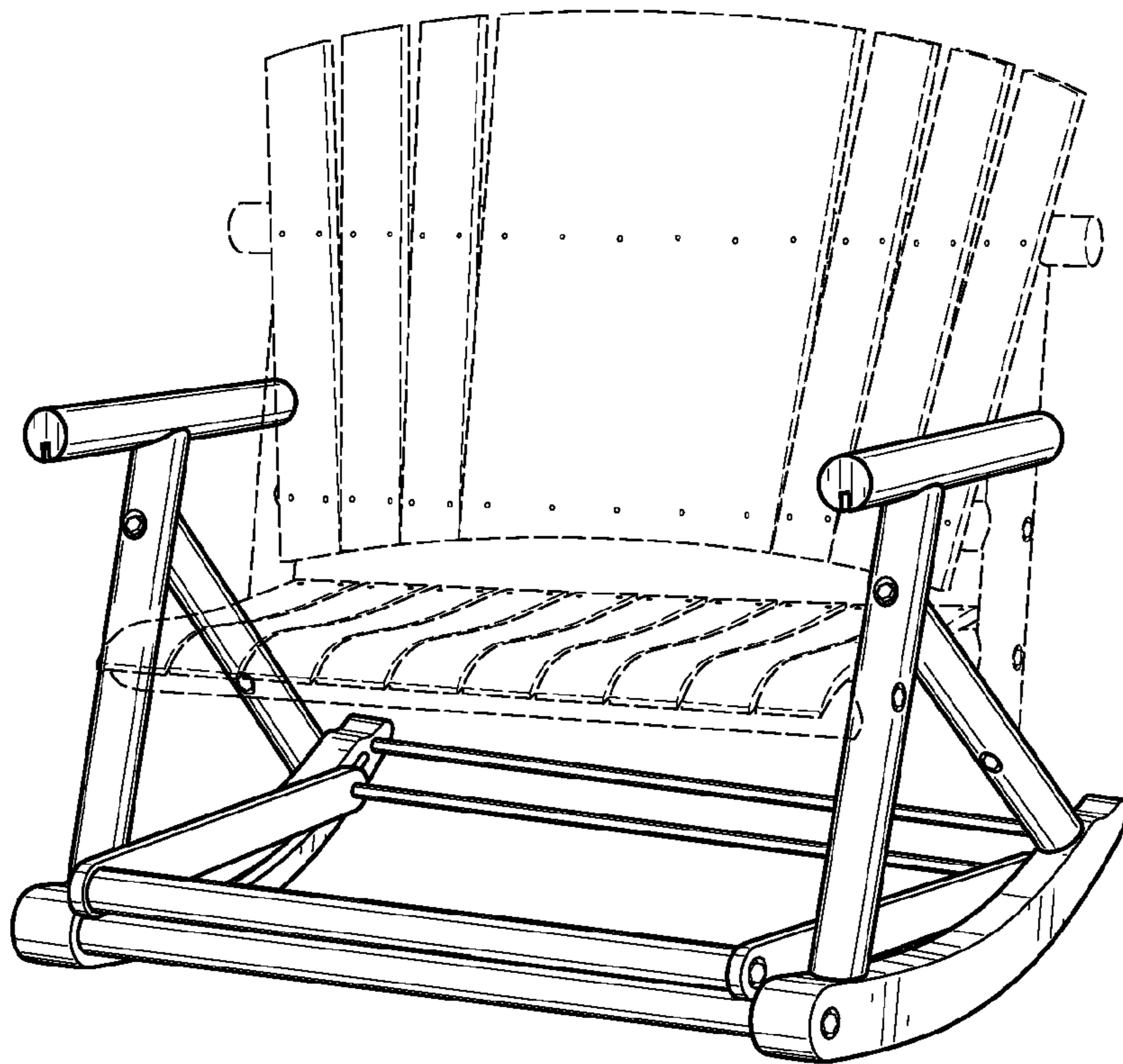


FIG. 8

FIG. 9

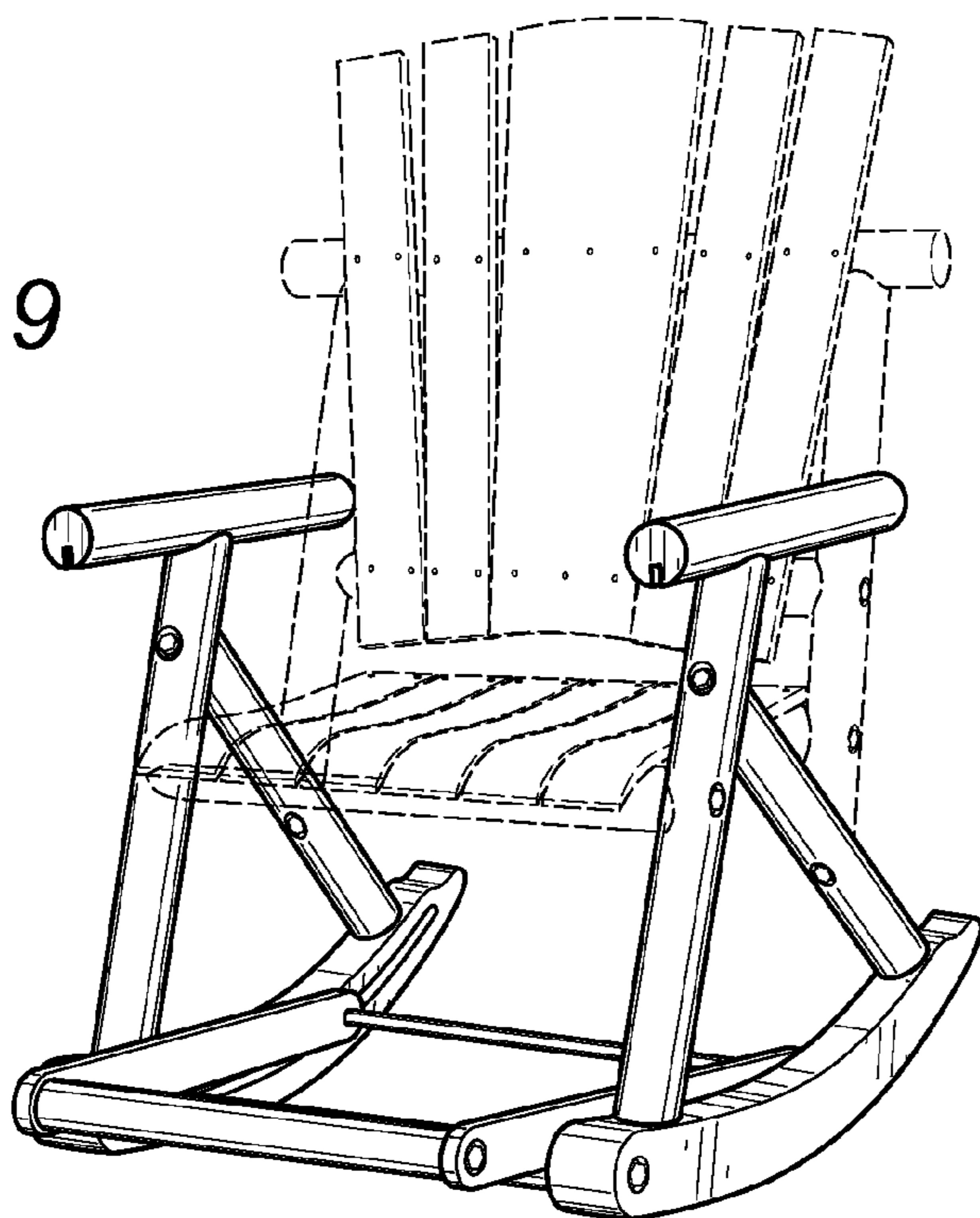


FIG. 10

