



US00D580196S

(12) **United States Design Patent**
Yamaguchi et al.

(10) **Patent No.:** **US D580,196 S**

(45) **Date of Patent:** **** Nov. 11, 2008**

(54) **STAND FOR DISPLAY**

(75) Inventors: **Toshihiro Yamaguchi**, Tokyo (JP);
Renichi Mitsuhashi, Tokyo (JP);
Zenichiro Kosaka, Tokyo (JP)

(73) Assignee: **NEC Display Solutions, Ltd.**, Tokyo (JP)

(**) Term: **14 Years**

(21) Appl. No.: **29/302,352**

(22) Filed: **Jan. 15, 2008**

(30) **Foreign Application Priority Data**

Jul. 17, 2007 (JP) 2007-019400

(51) **LOC (8) Cl.** **06-04**

(52) **U.S. Cl.** **D6/495**

(58) **Field of Classification Search** D14/239,
D14/125-134, 451, 439, 371, 136, 374, 375,
D14/376; 312/7.2; 348/836, 180, 838, 184,
348/325, 739; 248/917-924, 465; D6/495
See application file for complete search history.

(56) **References Cited**

U.S. PATENT DOCUMENTS

D470,345 S * 2/2003 Muller D6/482
D476,632 S * 7/2003 Inoue et al. D14/126
D533,168 S * 12/2006 Inoue D14/239

D533,169 S * 12/2006 Lee et al. D14/239
D540,331 S * 4/2007 Ly Hau et al. D14/451
D541,235 S * 4/2007 Takami et al. D14/126
D548,227 S * 8/2007 Wang et al. D14/239
D548,228 S * 8/2007 Tanigawa et al. D14/239
D550,486 S * 9/2007 Palmquist D6/511

* cited by examiner

Primary Examiner—Elizabeth A. Albert

Assistant Examiner—Kelley A Donnelly

(74) *Attorney, Agent, or Firm*—Sughrue Mion, PLLC

(57) **CLAIM**

The ornamental design for a stand for display, as shown.

DESCRIPTION

FIG. 1 is a front, right side, top perspective view of a stand for display showing our new design;

FIG. 2 is a front elevational view thereof;

FIG. 3 is a rear elevational view thereof;

FIG. 4 is a left side view thereof;

FIG. 5 is a right side view thereof;

FIG. 6 is a top plan view thereof; and,

FIG. 7 is a bottom plan view thereof.

The broken lines showing features on the bottom in FIG. 7 are shown for environmental purposes only and form no part of the claimed design.

1 Claim, 4 Drawing Sheets

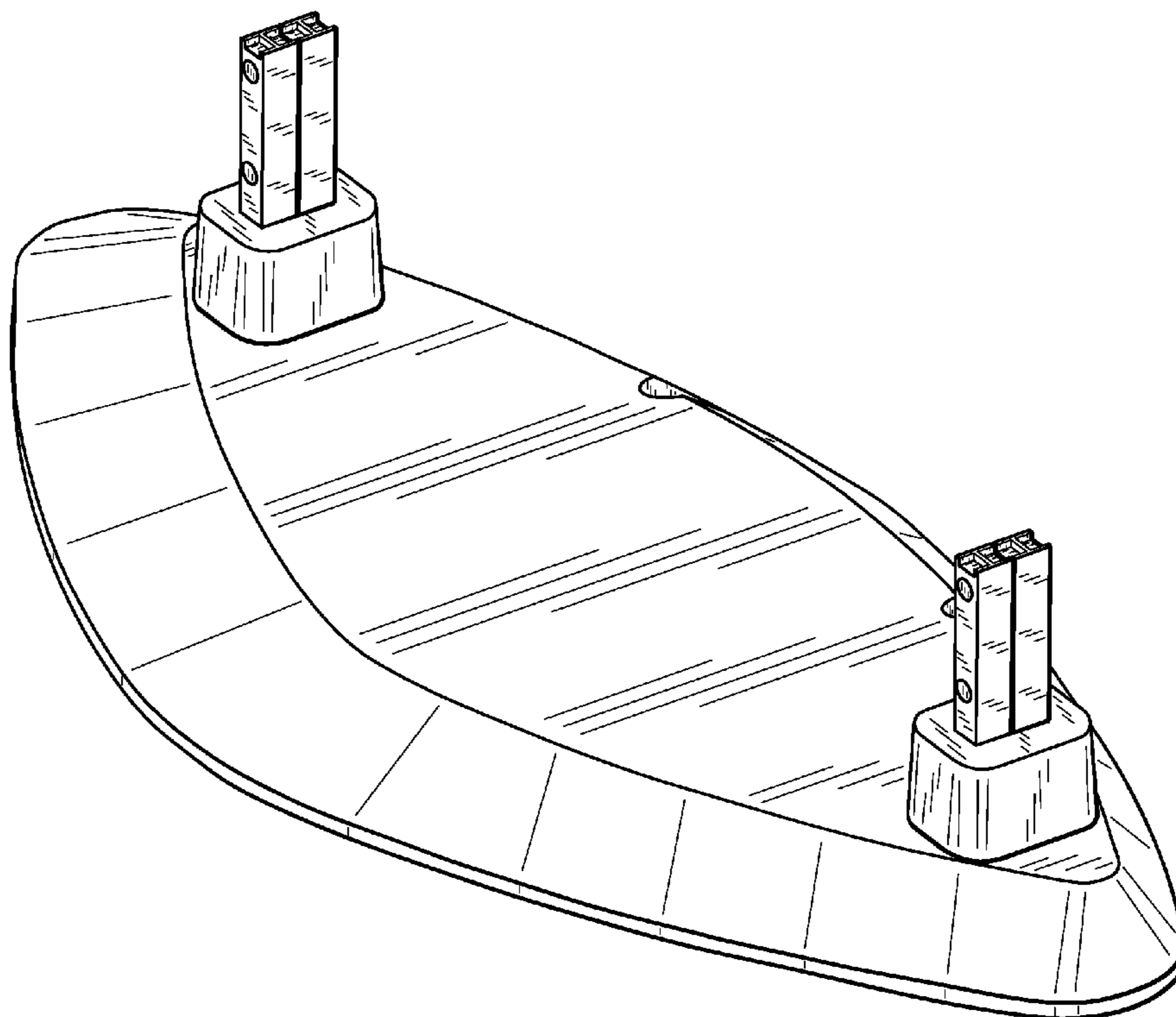


FIG. 1

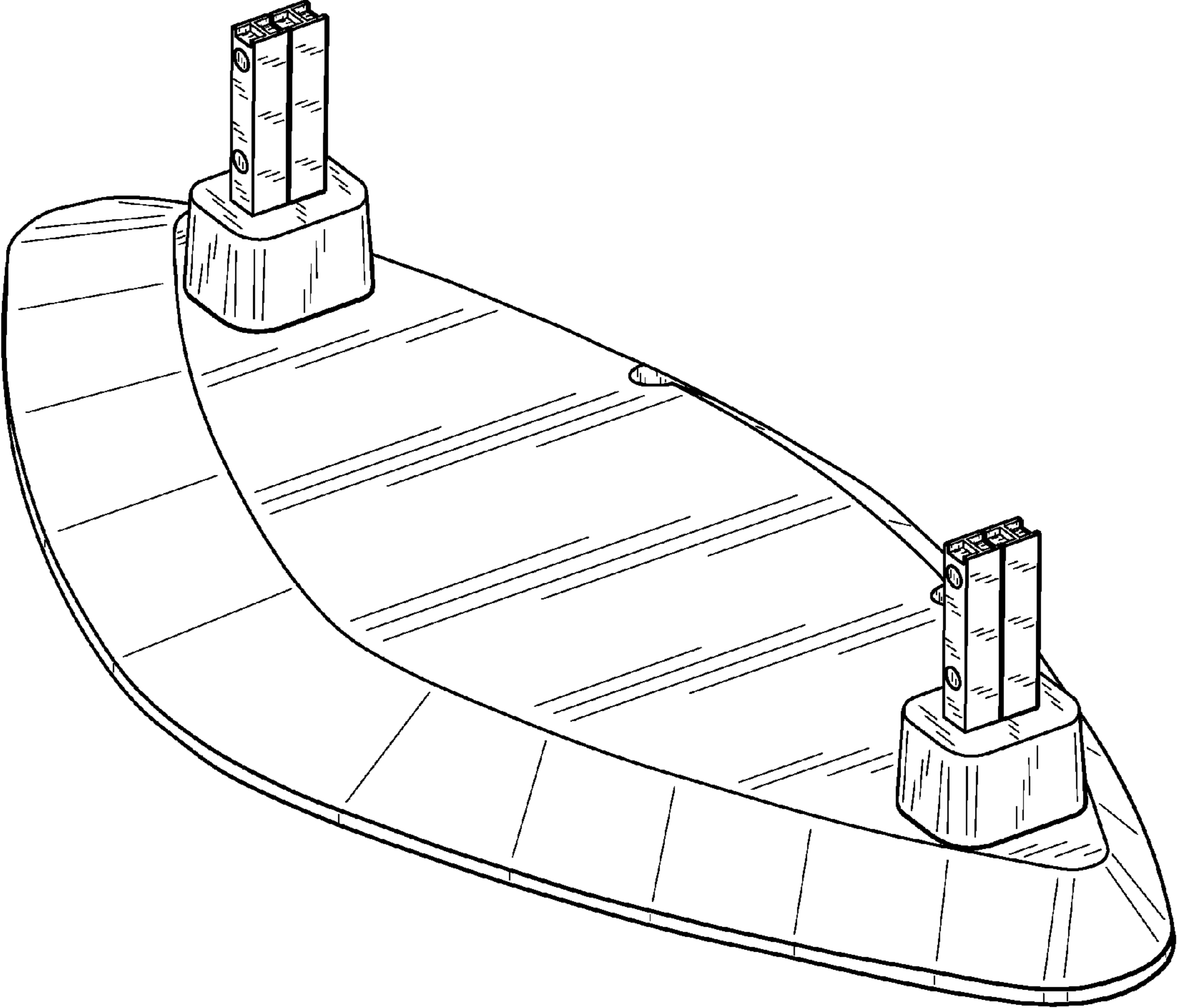


FIG. 2

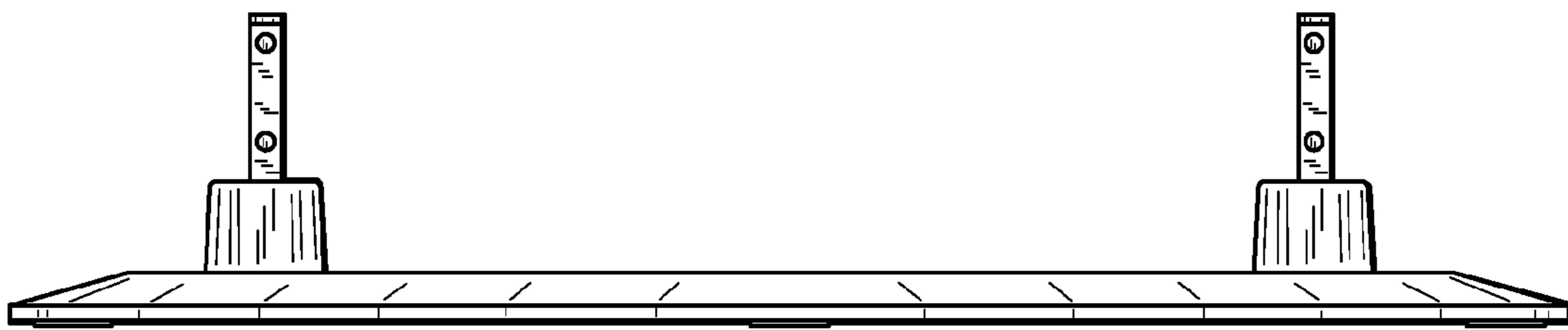


FIG. 3



FIG. 4

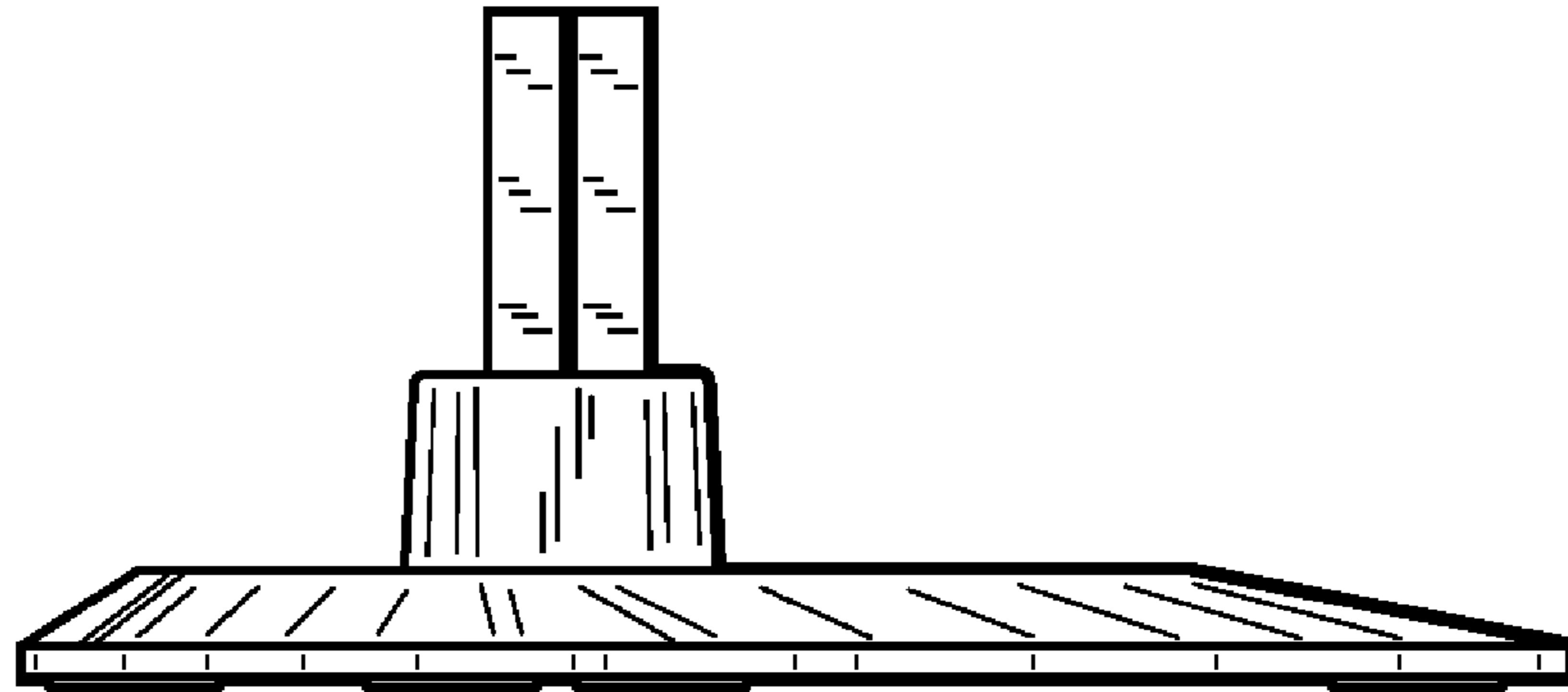


FIG. 5

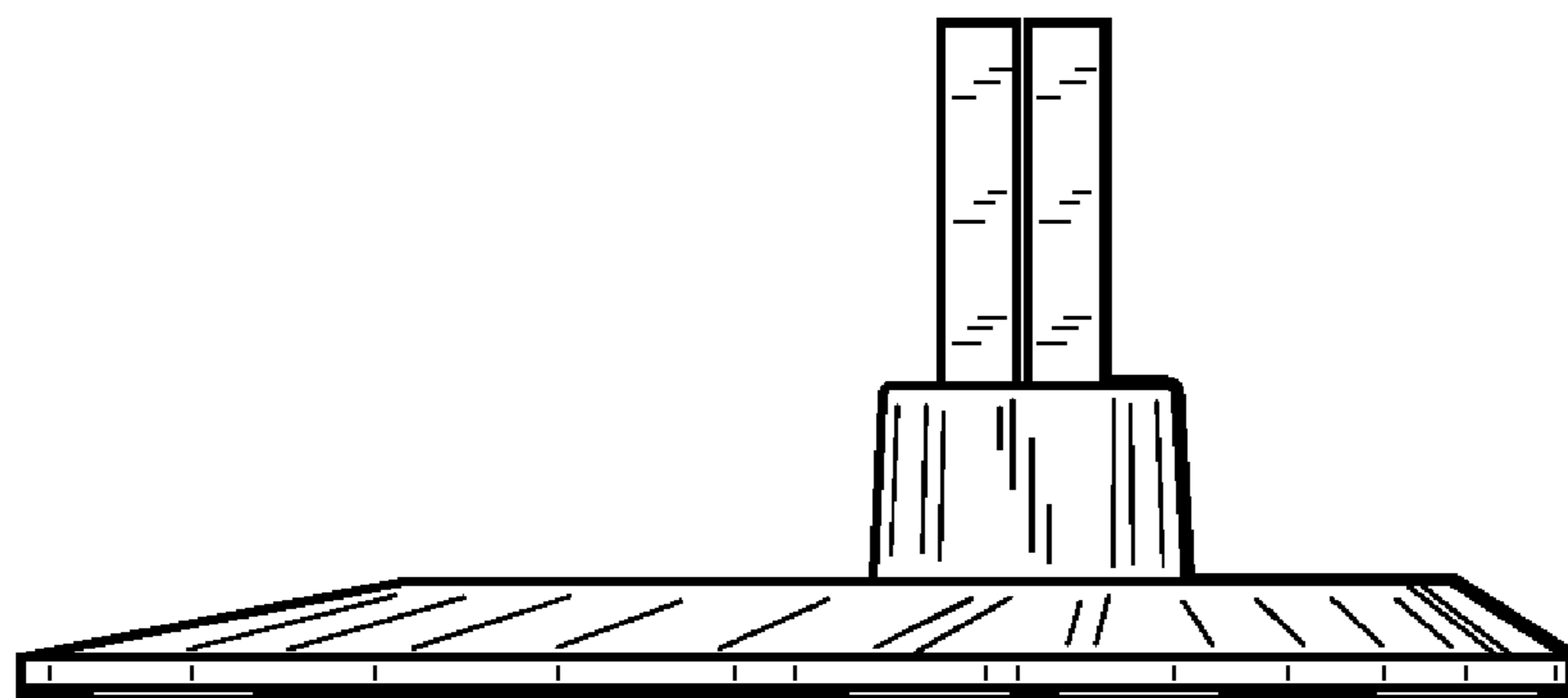


FIG. 6

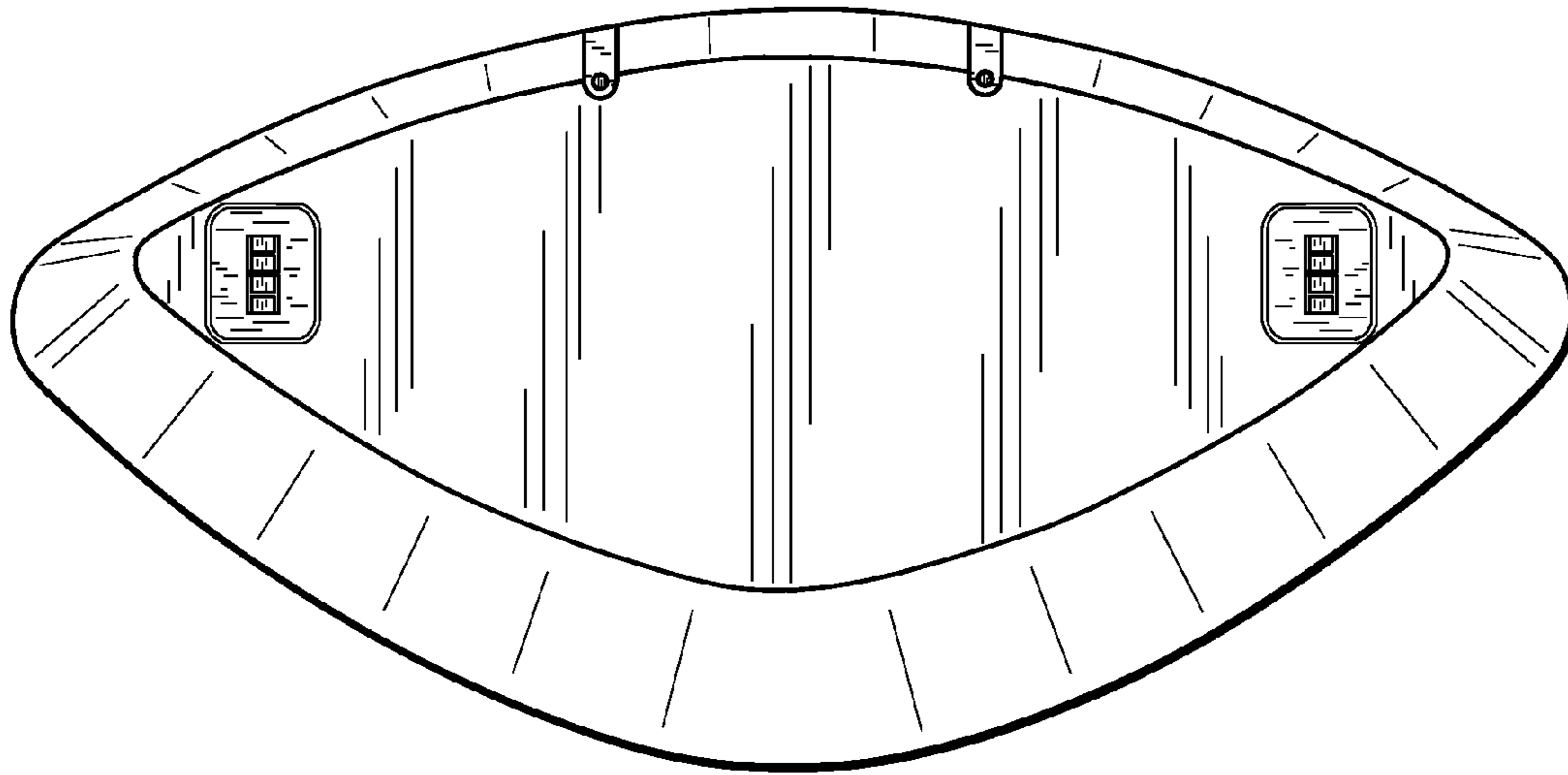


FIG. 7

