



US00D580192S

(12) **United States Design Patent**
Sparkowski

(10) **Patent No.:** **US D580,192 S**

(45) **Date of Patent:** **** Nov. 11, 2008**

(54) **DISPLAY WITH SHELVES**

D419,334 S * 1/2000 Talbot et al. D6/461
D554,898 S * 11/2007 Sparkowski D6/461

(75) Inventor: **Robert P. Sparkowski**, Schaumburg, IL
(US)

* cited by examiner

(73) Assignee: **Chicago Display Marketing Corporation**, River Grove, IL (US)

Primary Examiner—Caron Veynar

Assistant Examiner—Sydney R Buffalow

(74) *Attorney, Agent, or Firm*—Michael Best & Friedrich LLP

(**) Term: **14 Years**

(21) Appl. No.: **29/298,745**

(57) **CLAIM**

(22) Filed: **Dec. 12, 2007**

I claim the ornamental design for a display with shelves, as shown and described.

(51) **LOC (8) Cl.** **06-04**

(52) **U.S. Cl.** **D6/461**

(58) **Field of Classification Search** D6/461,
D6/474, 511, 486, 455, 458, 477-479; 108/59,
108/91, 108, 150, 191; 211/86.01, 134, 135,
211/90.01, 186-190, 153, 133.1; 248/127,
248/146

DESCRIPTION

See application file for complete search history.

FIG. 1 is a perspective view of a display with shelves embodying the present invention.

FIG. 2 is a front view of the display with shelves shown in FIG. 1.

FIG. 3 is a left side view of the display with shelves shown in FIG. 1, the right side view being a mirror image thereof; and, FIG. 4 is a top view of the display with shelves shown in FIG. 1.

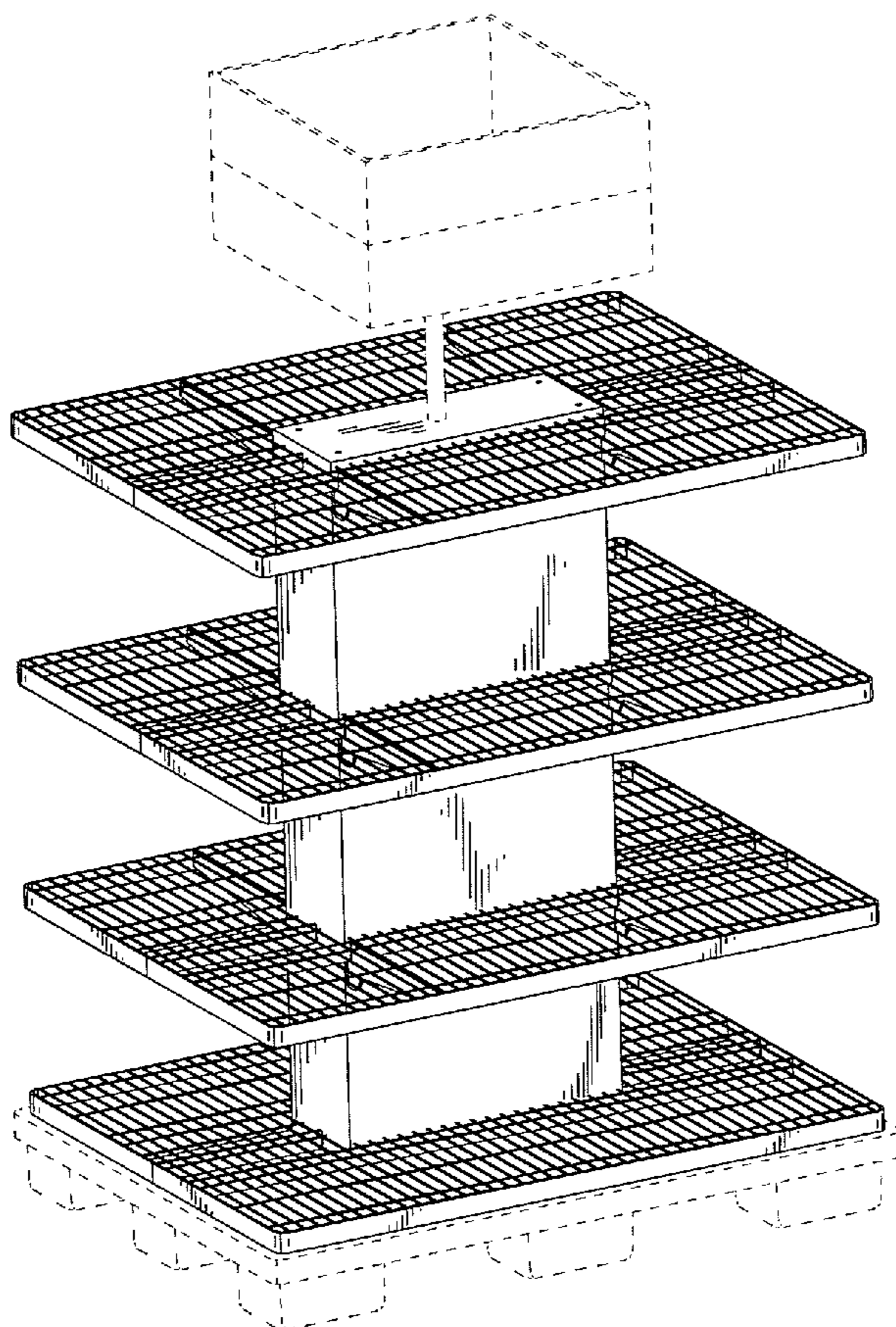
The broken line showing of the environment forms no part of the claimed design.

(56) **References Cited**

U.S. PATENT DOCUMENTS

1,688,048 A * 10/1928 Irvine 108/108
D300,395 S * 3/1989 Emery, Jr. D6/474
D378,481 S * 3/1997 Oberhaus et al. D6/511

1 Claim, 4 Drawing Sheets



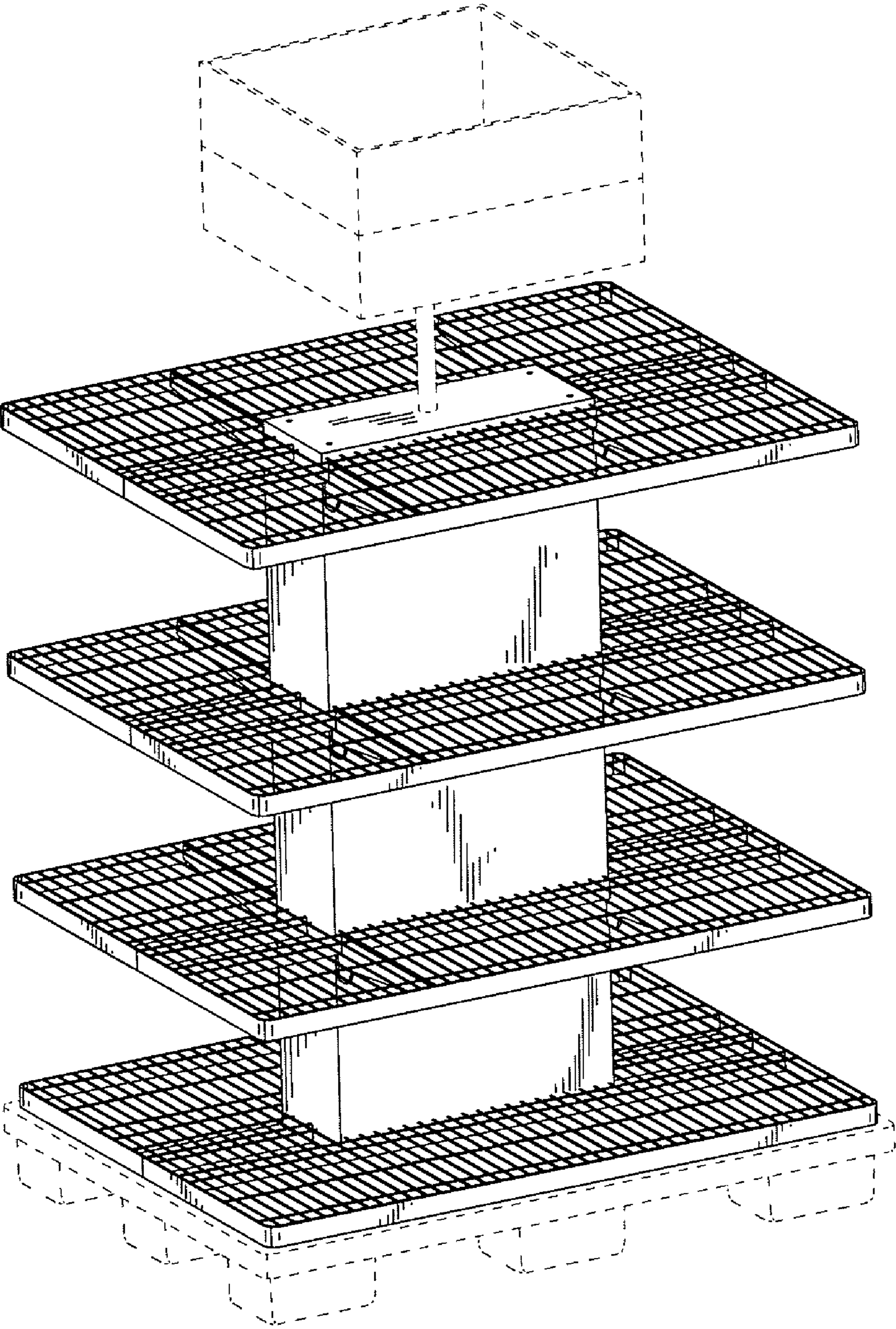


FIG. 1

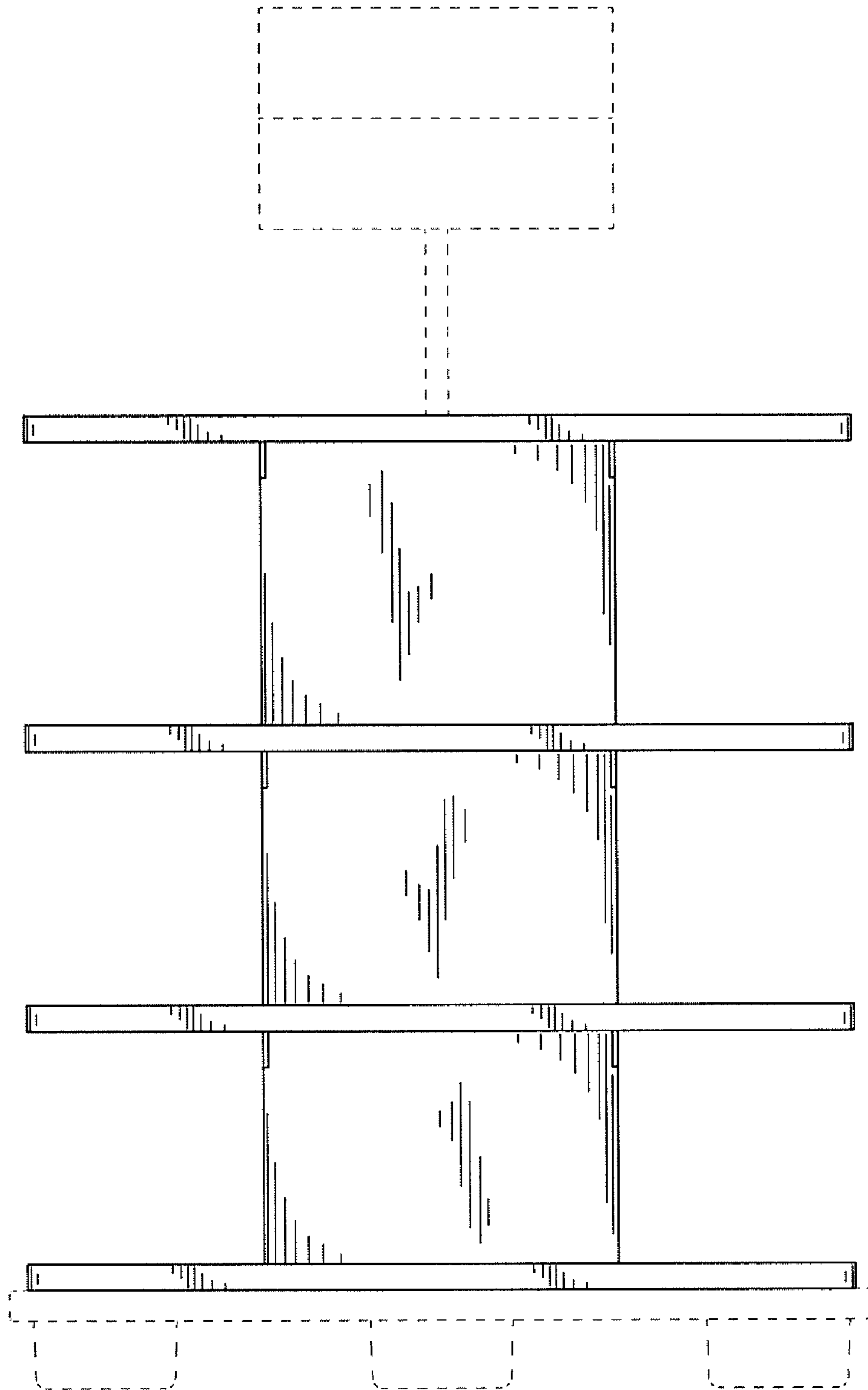


FIG. 2

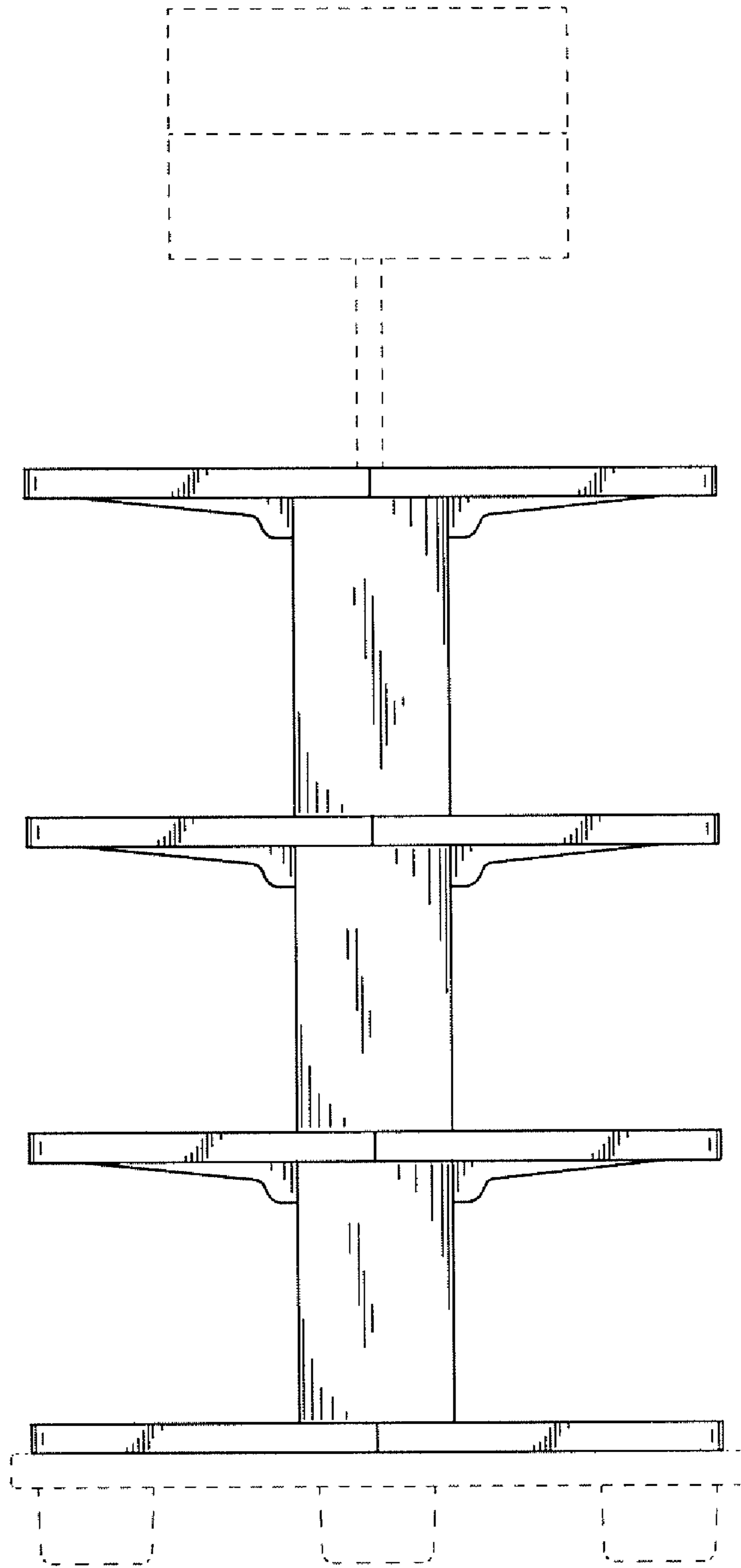


FIG. 3

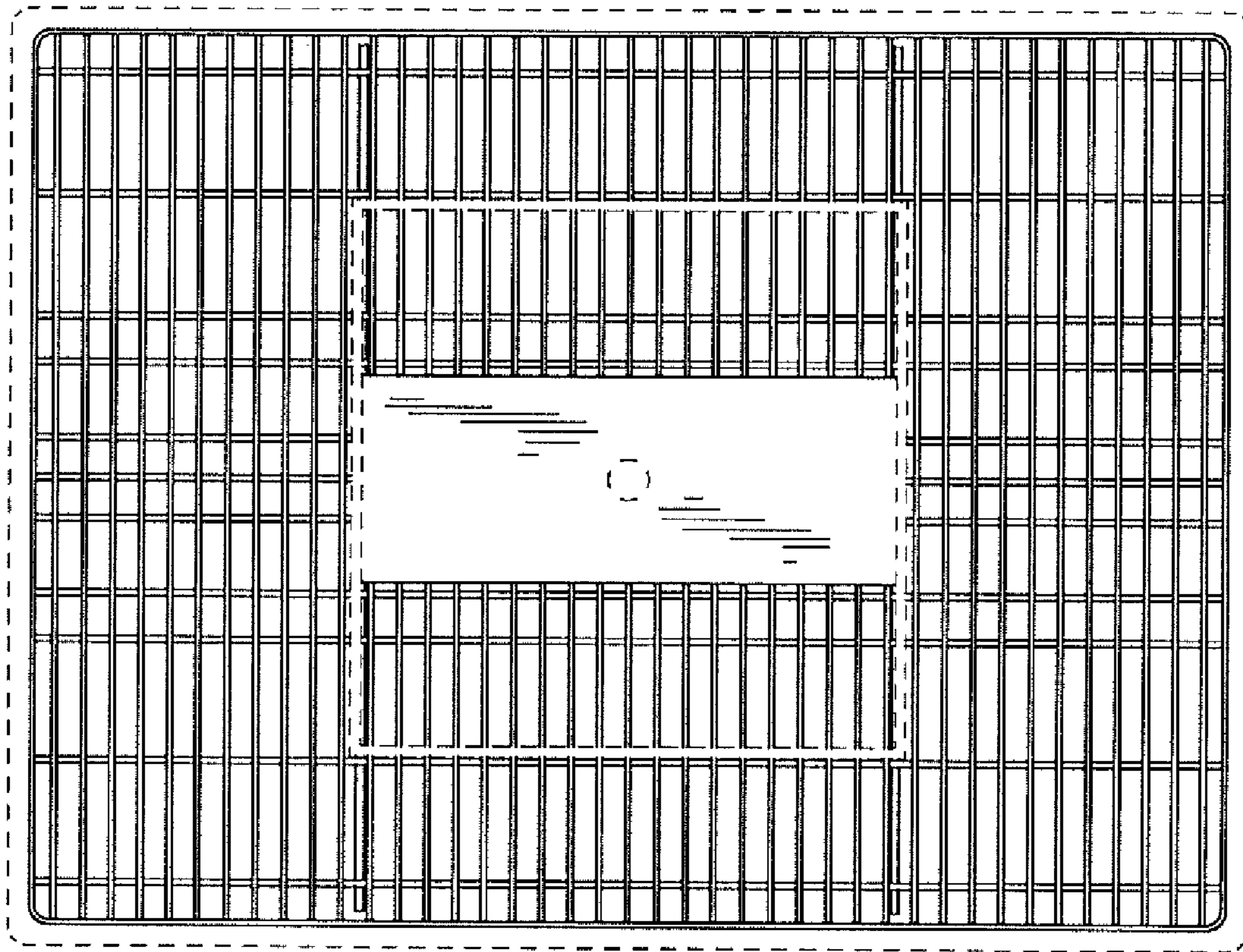


FIG. 4