

US00D580190S

(12) **United States Design Patent**  
**Marsilio**

(10) **Patent No.:** **US D580,190 S**

(45) **Date of Patent:** **\*\* Nov. 11, 2008**

(54) **MEDIA STORAGE CONTAINER**

(75) Inventor: **Ronald M. Marsilio**, Lake Wylie, SC  
(US)

(73) Assignee: **Nexpak Corporation**, Duluth, GA (US)

(\*\*) Term: **14 Years**

(21) Appl. No.: **29/240,170**

(22) Filed: **Oct. 7, 2005**

D469,622	S	*	2/2003	Marsilio et al.	.....	D6/407
6,799,677	B2	*	10/2004	Marsilio et al.	.....	206/308.1
6,938,758	B2	*	9/2005	Marsilio et al.	.....	206/308.1
2002/0134696	A1	*	9/2002	Marsilio et al.	.....	206/310
2002/0170838	A1	*	11/2002	Marsilio et al.	.....	206/310
2003/0116455	A1	*	6/2003	Marsilio et al.	.....	206/308.2
2005/0173273	A1	*	8/2005	Marsilio et al.	.....	206/308.1
2005/0279143	A1	*	12/2005	Belden et al.	.....	70/57.1

\* cited by examiner

*Primary Examiner*—Celia A Murphy

(74) *Attorney, Agent, or Firm*—Zollinger & Burleson Ltd.

**Related U.S. Application Data**

(63) Continuation of application No. 10/958,991, filed on Oct. 5, 2004, which is a continuation of application No. 10/081,332, filed on Feb. 20, 2002, now Pat. No. 6,799,677.

(51) **LOC (8) Cl.** ..... **19-04**

(52) **U.S. Cl.** ..... **D6/407; D6/632**

(58) **Field of Classification Search** ..... D3/218,  
D3/270; D6/407, 626–635; 206/18, 307.1,  
206/308.1, 308.2, 308.3, 309, 310, 311, 312,  
206/313, 445, 749; 312/9.1, 902, 9.9, 9.48,  
312/9.55, 9.64, 9.47, 9.53, 328

See application file for complete search history.

(56) **References Cited**

**U.S. PATENT DOCUMENTS**

6,065,594	A	*	5/2000	Sankey et al.	.....	206/310
6,354,435	B1	*	3/2002	Belden et al.	.....	206/310
6,398,022	B1	*	6/2002	Mou et al.	.....	206/308.1

(57) **CLAIM**

The ornamental design for a media storage container, as shown and described.

**DESCRIPTION**

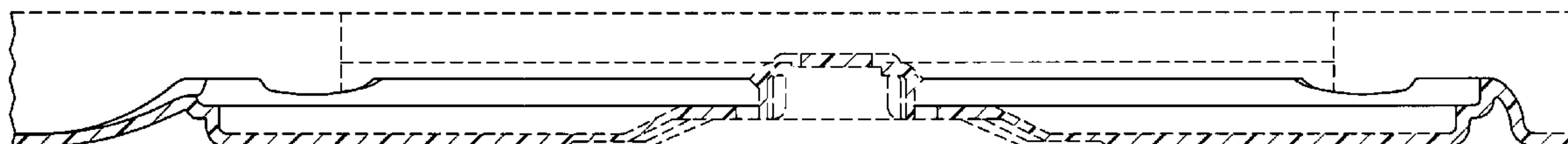
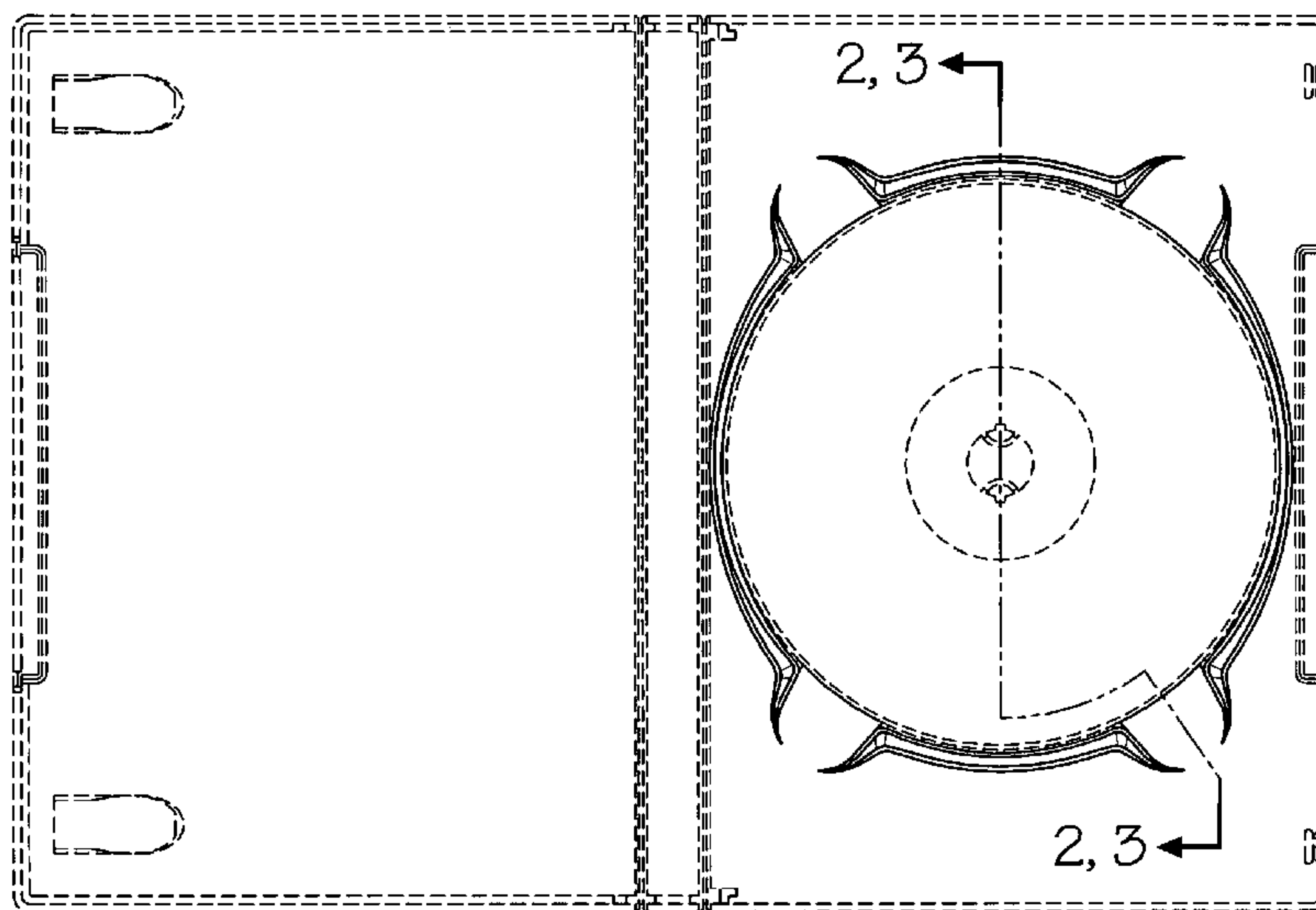
FIG. 1 is a top plan view of a media storage container showing my new design, the broken lines showing the case and a disc being shown to illustrate the portions of the design that form no part of the claim;

FIG. 2 is an enlarged cross sectional view taken on line 2—2 of FIG. 1, with the disc being removed; and

FIG. 3 is an enlarged cross section view taken on line 3—3 of FIG. 1. It is shown broken away to conveniently illustrate the details on one page.

The portions of the article depicted in broken lines, whether or not cross hatched for sectional viewing, form no part of the claimed design.

**1 Claim, 2 Drawing Sheets**



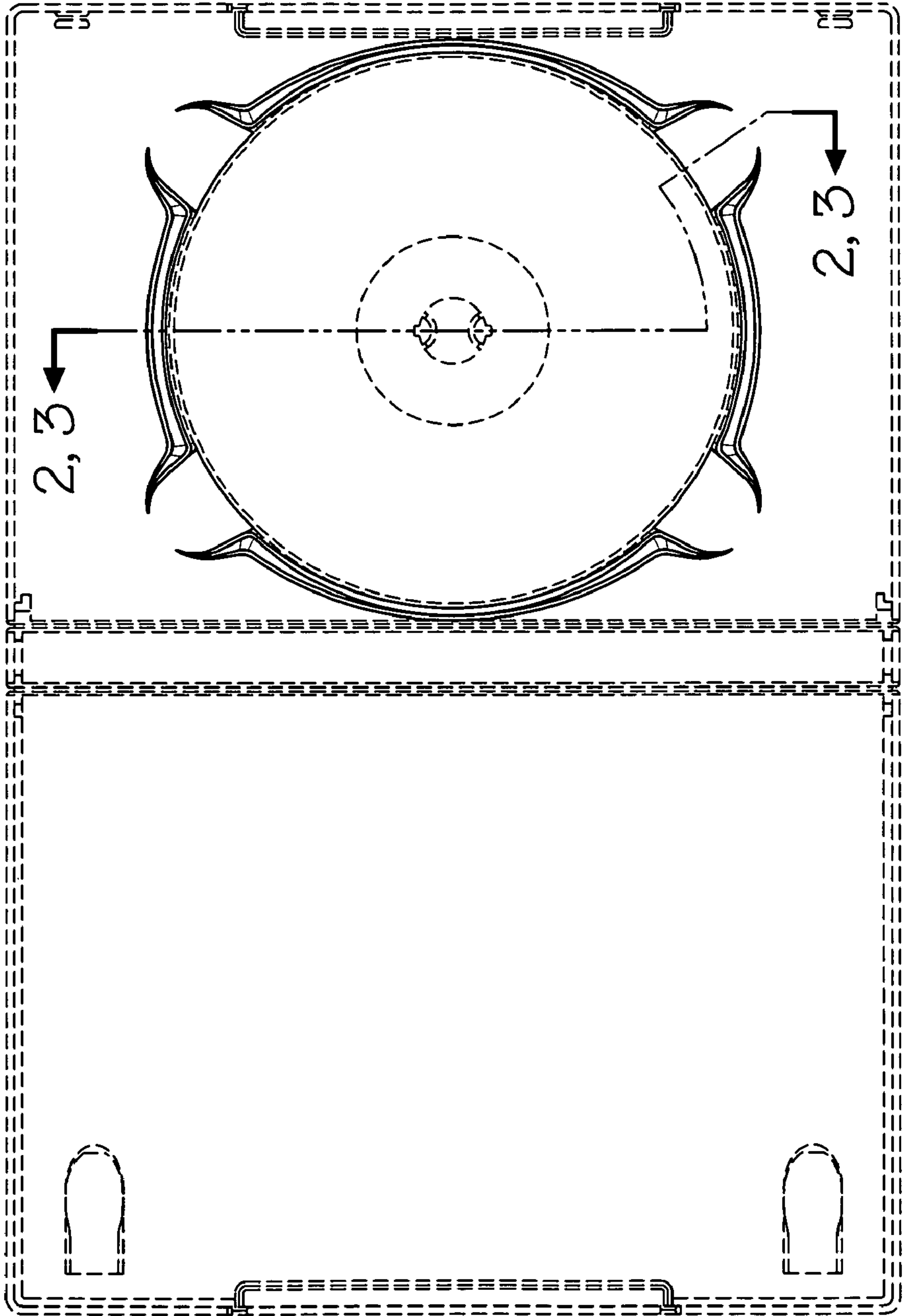


FIG. 1

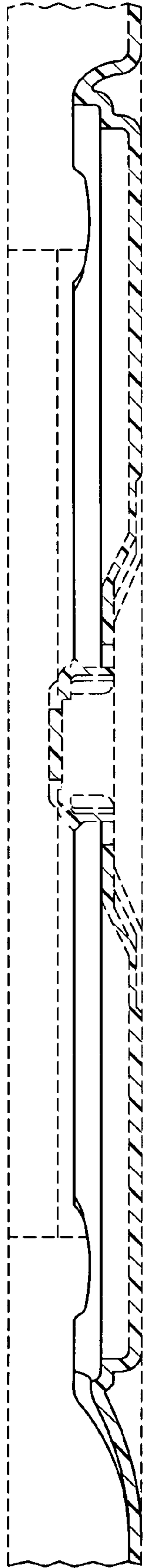


FIG. 2

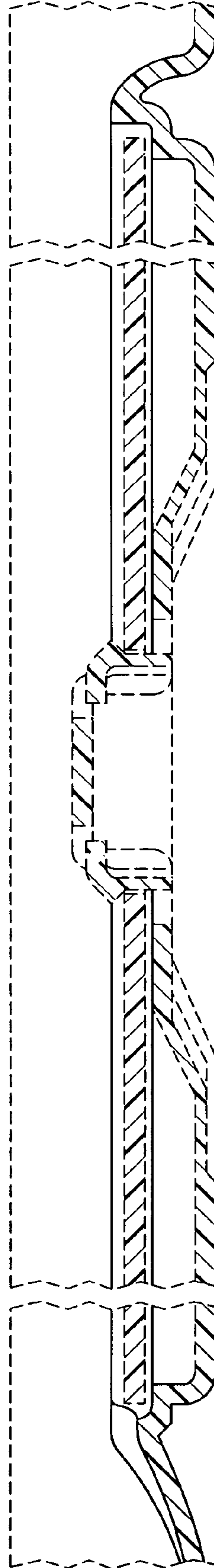


FIG. 3