



US00D580188S

(12) **United States Design Patent**  
**Self et al.**

(10) **Patent No.:** **US D580,188 S**

(45) **Date of Patent:** **\*\* Nov. 11, 2008**

(54) **FOLDABLE SHOWER SEAT**

(75) Inventors: **James Edward Self**, Isle of Man (GB);  
**Robert William Stimpson**, Isle of Man (GB)

(73) Assignee: **DLP Limited**, Isle of Man (GB)

(\*\*) Term: **14 Years**

(21) Appl. No.: **29/249,106**

(22) Filed: **Sep. 21, 2006**

(30) **Foreign Application Priority Data**

Jun. 20, 2006 (EM) ..... 000548607

(51) **LOC (8) Cl.** ..... **06-01**

(52) **U.S. Cl.** ..... **D6/353**

(58) **Field of Classification Search** ..... D6/349–353,  
D6/355, 363, 364, 500–502, 511; 297/16.1,  
297/118, 175, 195.1, 423.1, 423.14, 423.39,  
297/423.41, 440.1, 440.12, 461, 462; 108/150,  
108/115, 147.11, 147.22; D23/304  
See application file for complete search history.

(56) **References Cited**

**U.S. PATENT DOCUMENTS**

D219,018 S *	10/1970	Brewer	.....	D6/380
D321,991 S *	12/1991	Menges et al.	.....	D6/335
D347,526 S *	6/1994	Hamilton	.....	D6/335
5,335,377 A *	8/1994	Masyada et al.	.....	4/578.1
D350,238 S *	9/1994	Ward	.....	D6/335
D355,985 S *	3/1995	Karten et al.	.....	D6/374
D360,024 S *	7/1995	Smith	.....	D23/304
D375,638 S *	11/1996	Dhanapal et al.	.....	D6/377
D411,054 S *	6/1999	Williams	.....	D6/335
D439,429 S *	3/2001	Higgs et al.	.....	D6/368
D467,102 S *	12/2002	Martin	.....	D6/500

D478,750 S *	8/2003	Gilbert et al.	.....	D6/500
D478,752 S *	8/2003	Gilbert et al.	.....	D6/502
D483,959 S *	12/2003	Howard et al.	.....	D6/364
D519,291 S *	4/2006	Higgs et al.	.....	D6/367
D524,065 S *	7/2006	Jacobs	.....	D6/335
D557,516 S *	12/2007	Genord et al.	.....	D6/377

\* cited by examiner

*Primary Examiner*—Sandra Snapp

(74) *Attorney, Agent, or Firm*—Martin Fleit; Paul D. Bianco; Fleit Gibbons Gutman Bongini & Bianco PL

(57) **CLAIM**

The ornamental design for a foldable shower seat, as shown and described.

**DESCRIPTION**

FIG. 1 is a perspective view of a foldable shower seat, in a lowered condition and showing our new design;

FIG. 2 is a perspective view thereof, when in a raised condition;

FIG. 3 is a plan view thereof from above, when in the lowered condition;

FIG. 4 is a plan view thereof from below, when in the lowered condition;

FIG. 5 is a front view thereof, when in the lowered condition;

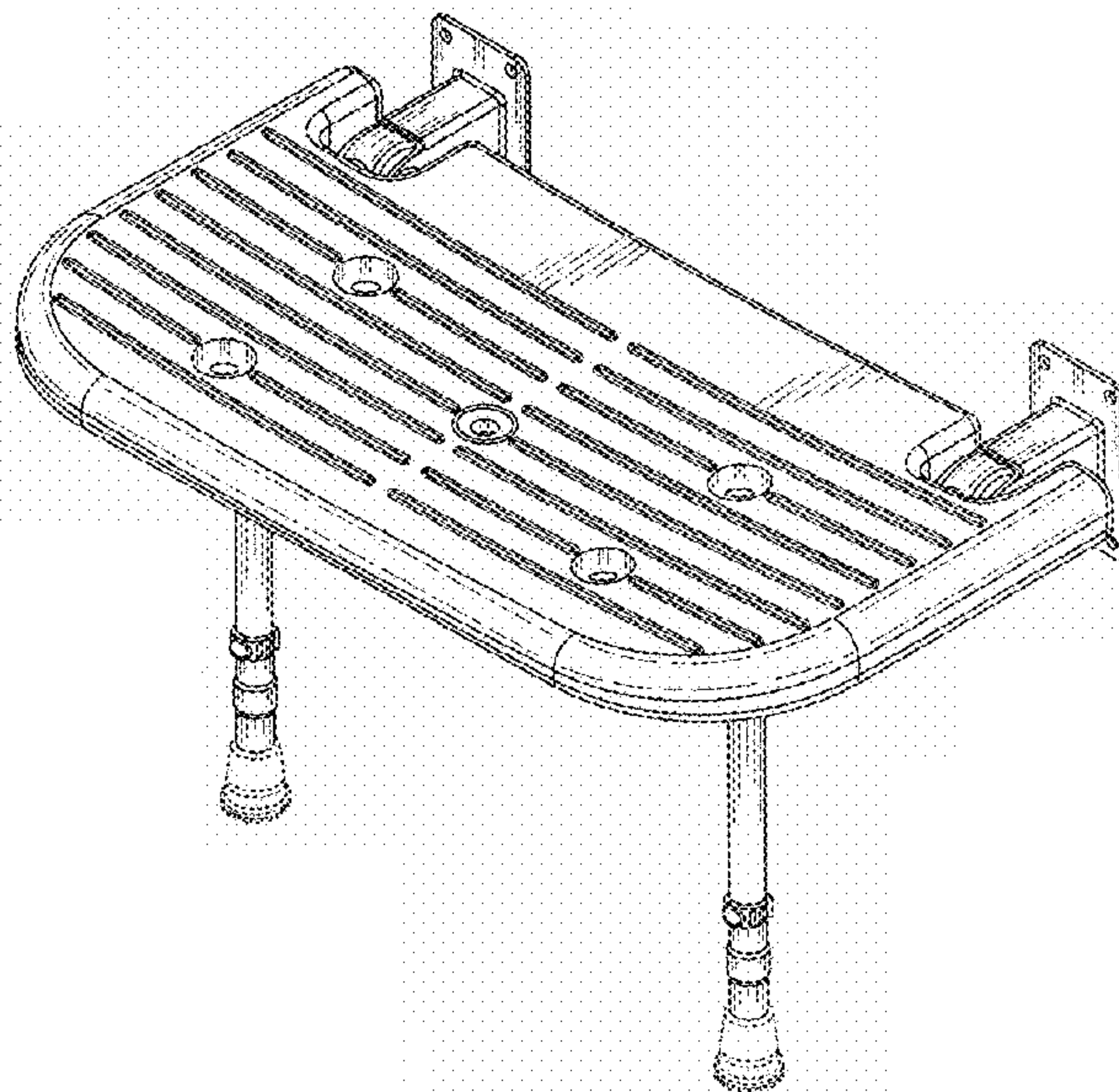
FIG. 6 is a rear view thereof, when in a lowered condition;

FIG. 7 is a right side view thereof, when in the lowered condition; and,

FIG. 8 is a left side view thereof, when in the lowered condition.

The broken lines shown in the drawings are for illustrative purposes only and form no part of the claimed design.

**1 Claim, 7 Drawing Sheets**



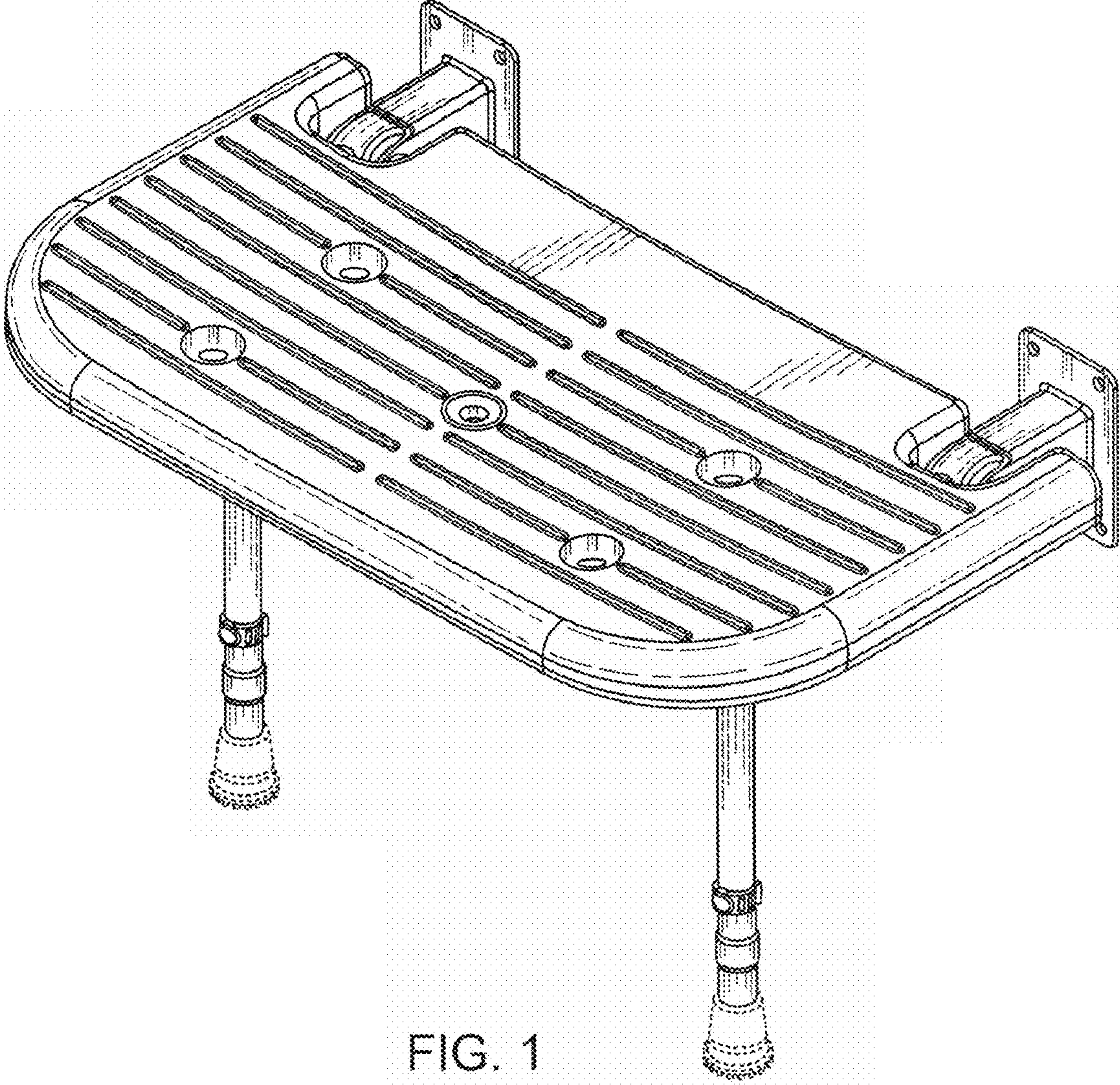


FIG. 1



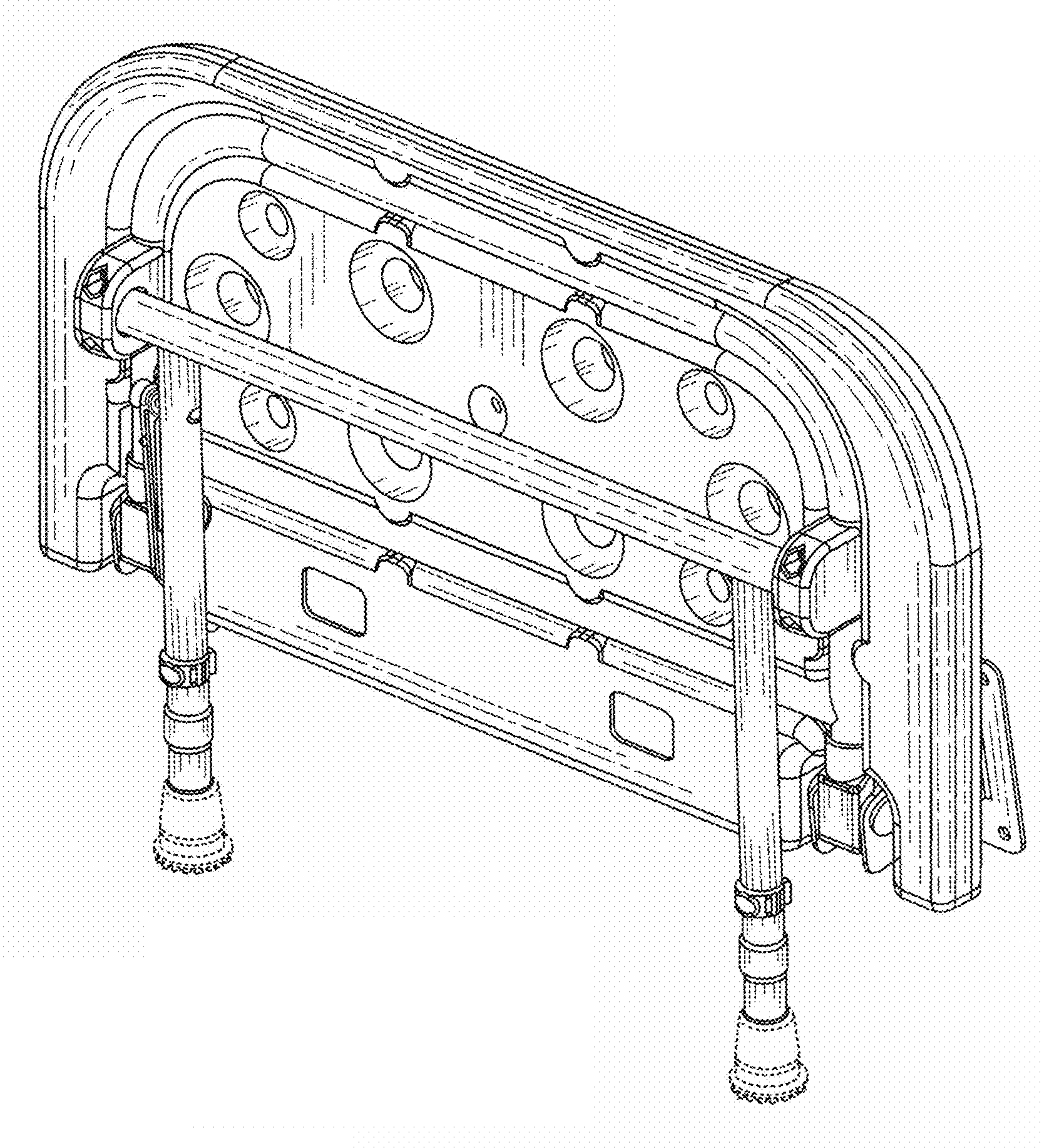


FIG. 2

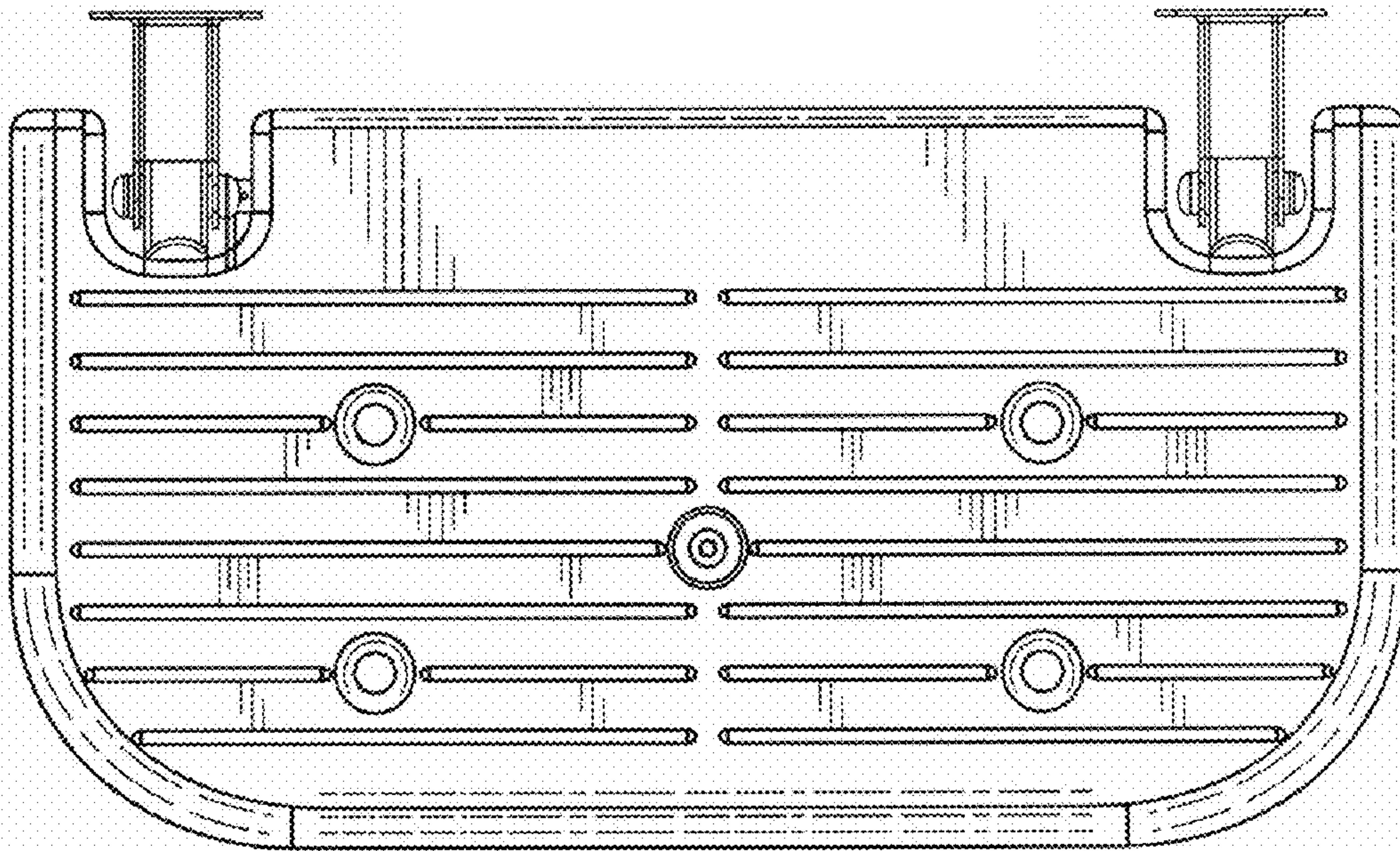


FIG. 3



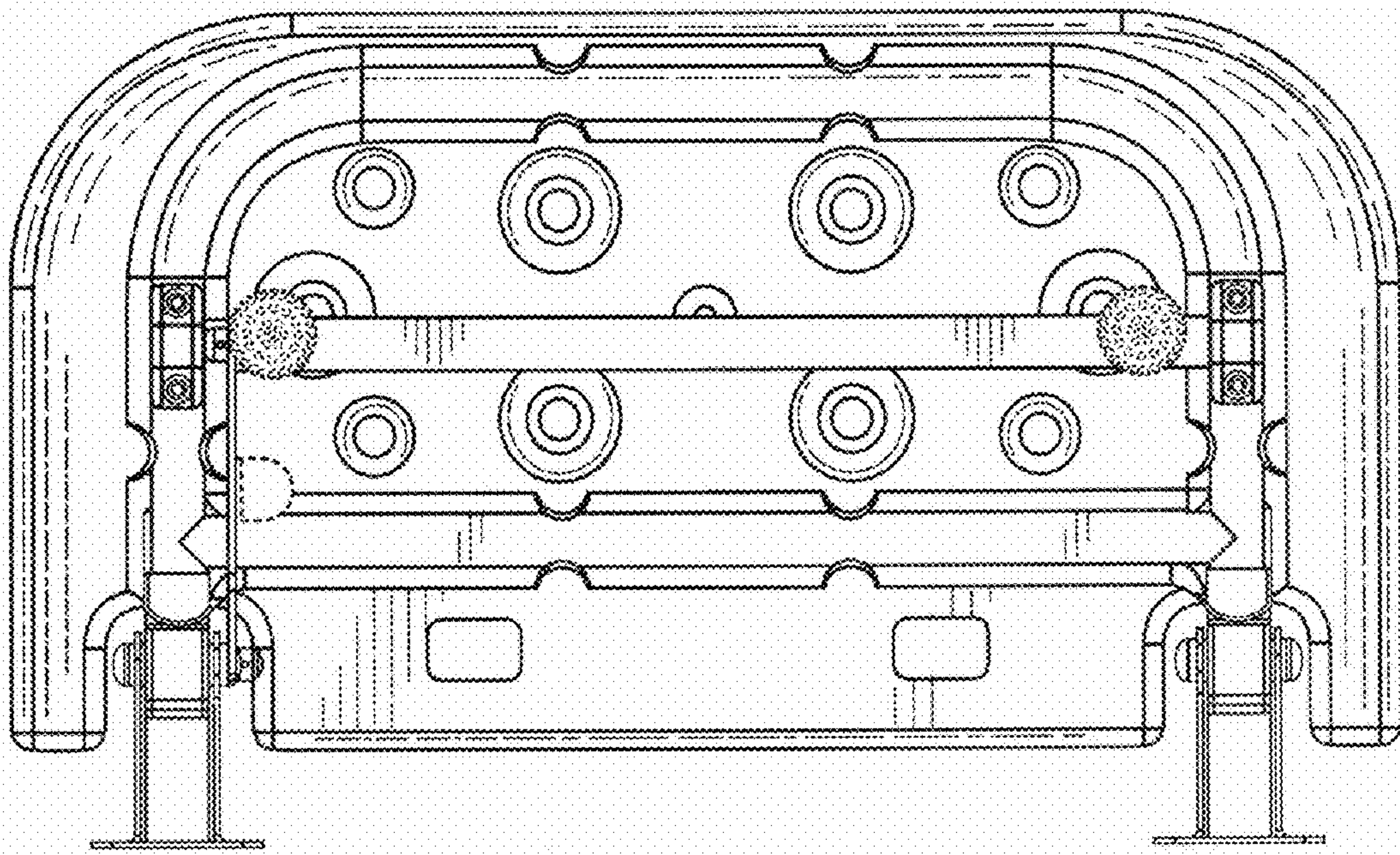


FIG. 4

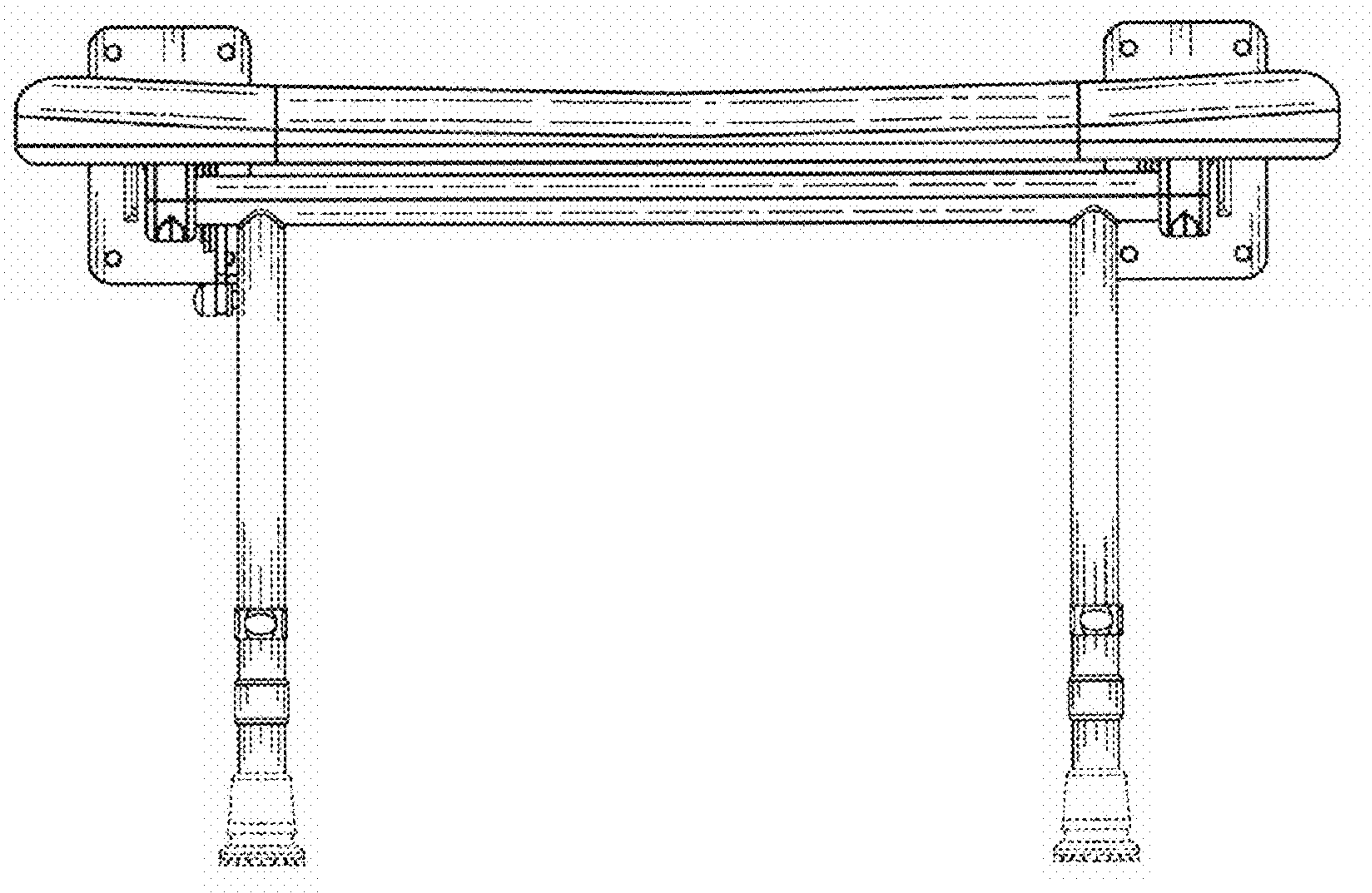


FIG. 5

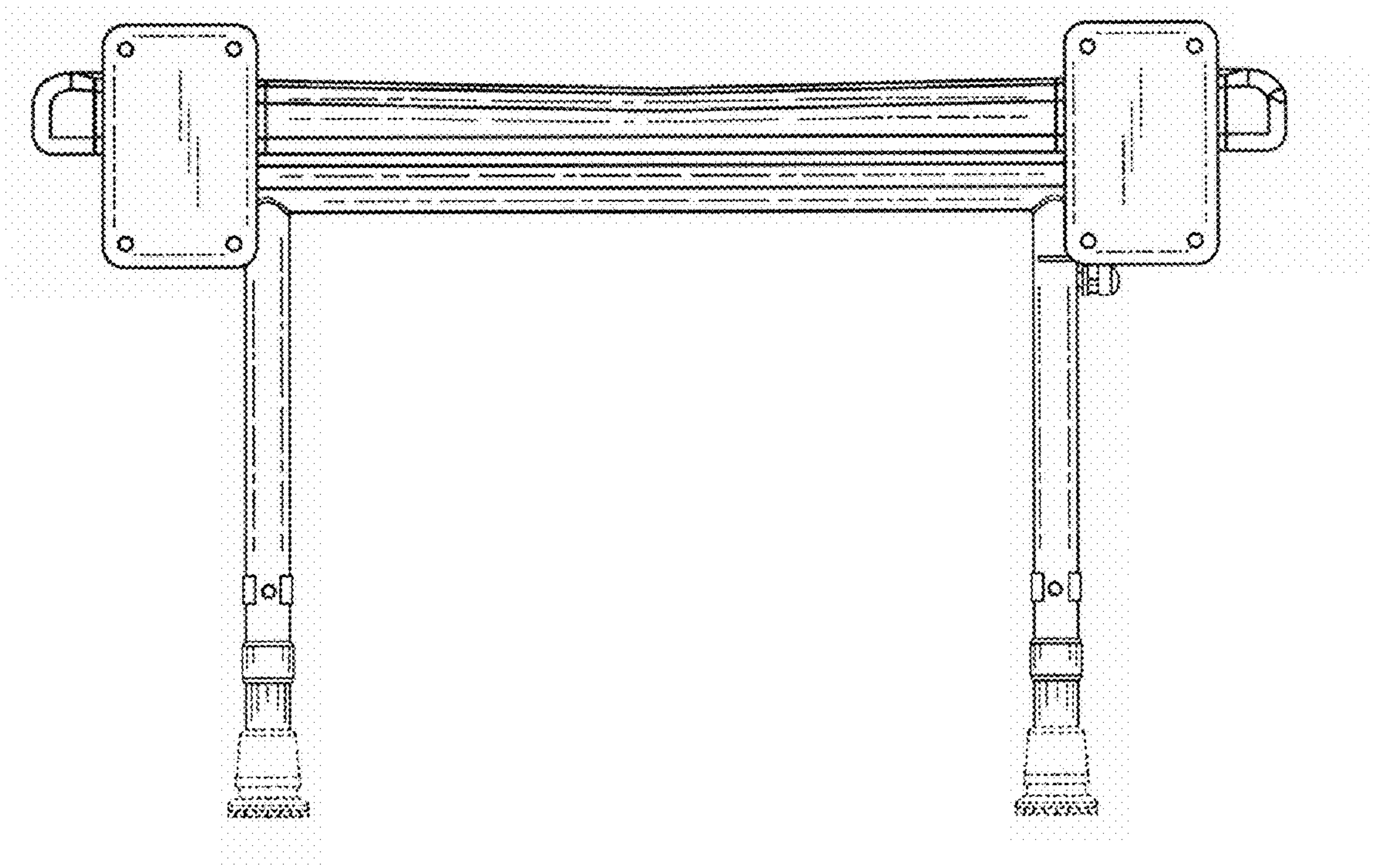


FIG. 6



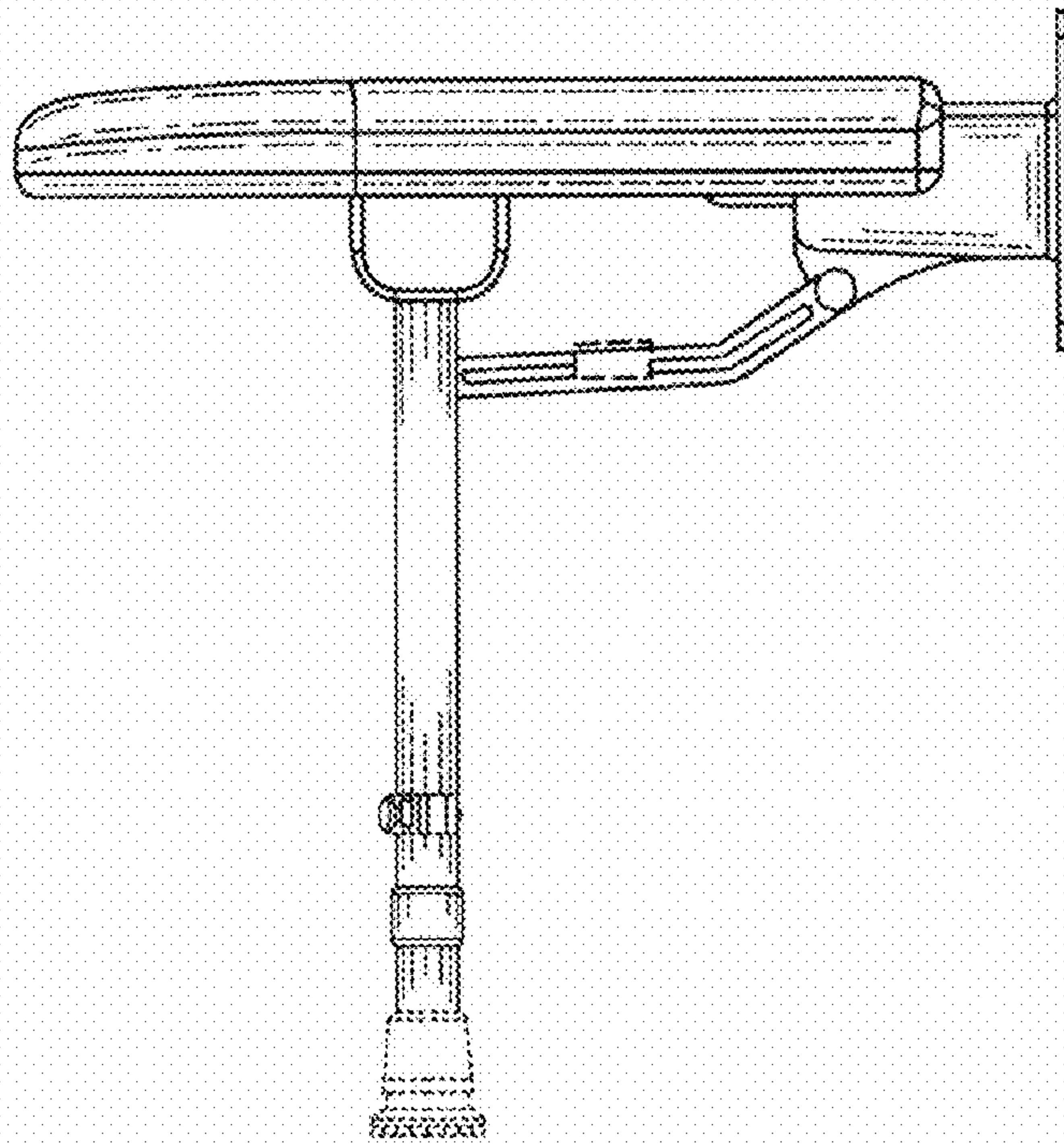


FIG. 7

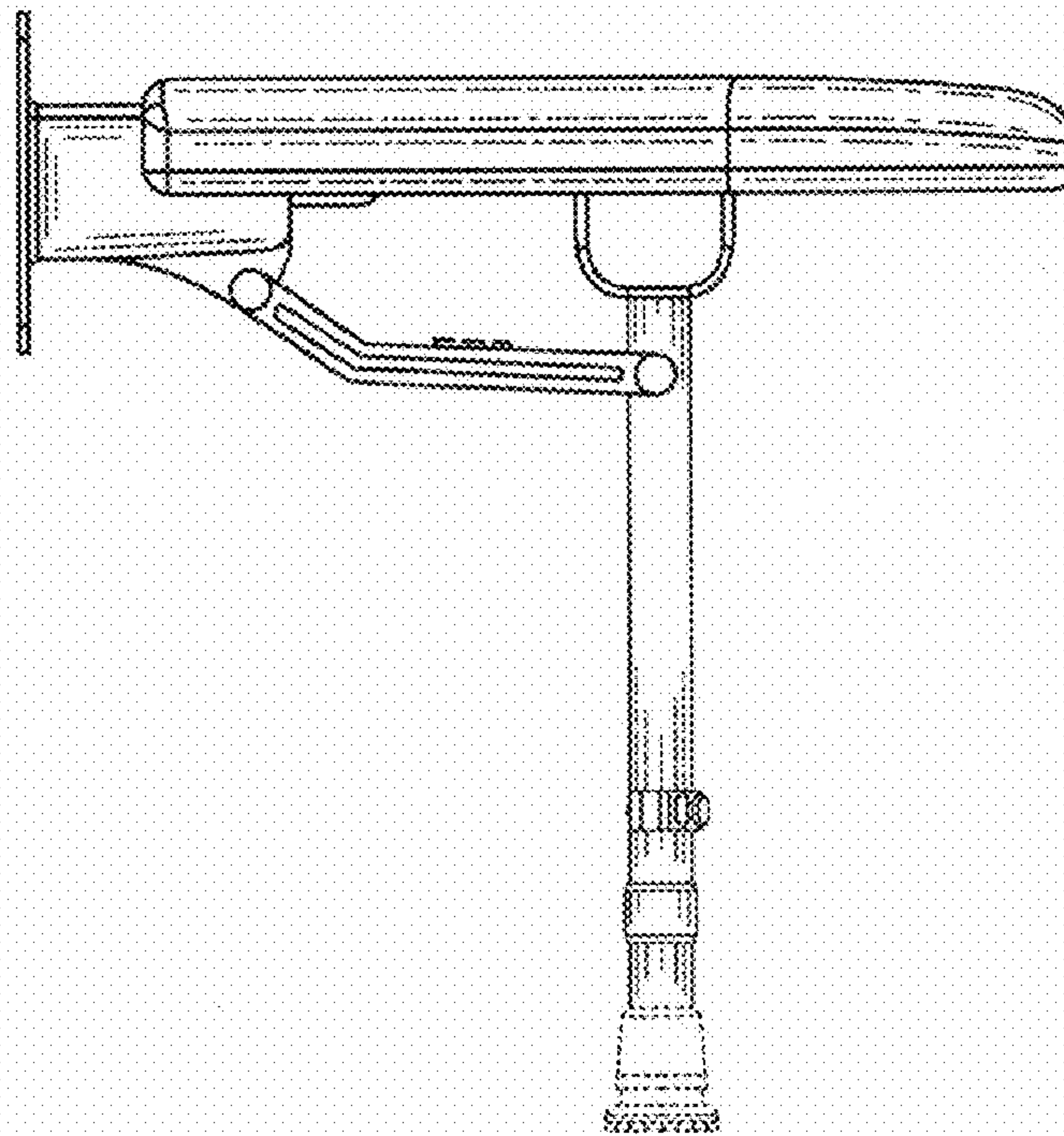


FIG. 8