



US00D580186S

(12) **United States Design Patent**  
**Krumpe et al.**

(10) **Patent No.:** **US D580,186 S**

(45) **Date of Patent:** **\*\* Nov. 11, 2008**

(54) **ROBE HOOK**

(75) Inventors: **Geraint Krumpe**, Chicago, IL (US);  
**Terry Starbuck**, Pilot Mountain, NC  
(US)

(73) Assignee: **Liberty Hardware Mfg. Corp.**,  
Winston-Salem, NC (US)

(\*\*) Term: **14 Years**

(21) Appl. No.: **29/303,834**

(22) Filed: **Feb. 19, 2008**

(51) **LOC (8) Cl.** ..... **06-08**

(52) **U.S. Cl.** ..... **D6/323**

(58) **Field of Classification Search** ..... D6/315,  
D6/317, 320, 323, 325, 328; D8/303, 307,  
D8/310, 321, 349, 354, 367, 372, 373; 211/13.1,  
211/85.3, 86.01, 183; 223/85-98; 248/200,  
248/317, 560

See application file for complete search history.

(56) **References Cited**

**U.S. PATENT DOCUMENTS**

D343,066 S *	1/1994	Hsu	.....	D6/323
D472,059 S *	3/2003	Hoernig	.....	D6/323
D472,061 S *	3/2003	Hoernig	.....	D6/323
D473,453 S *	4/2003	Goodman et al.	.....	D8/367
D493,093 S *	7/2004	Goodman et al.	.....	D8/367

D496,258 S *	9/2004	Fields	.....	D8/367
D526,132 S *	8/2006	Solowiej	.....	D6/323
D526,494 S *	8/2006	Fields	.....	D6/323
D535,110 S *	1/2007	Hoernig	.....	D6/323
D543,708 S *	6/2007	McConnell	.....	D6/323
D544,220 S *	6/2007	McConnell	.....	D6/323
D563,109 S *	3/2008	Krumpe et al.	.....	D6/323
D568,621 S *	5/2008	Krumpe et al.	.....	D6/323

\* cited by examiner

*Primary Examiner*—Stella M. Reid

*Assistant Examiner*—Shanda C Hill

(74) *Attorney, Agent, or Firm*—Edgar A. Zarins; Lloyd D. Doigan

(57) **CLAIM**

The ornamental design for a robe hook, as shown and described.

**DESCRIPTION**

FIG. 1 is a perspective view of a robe hook showing our new design;

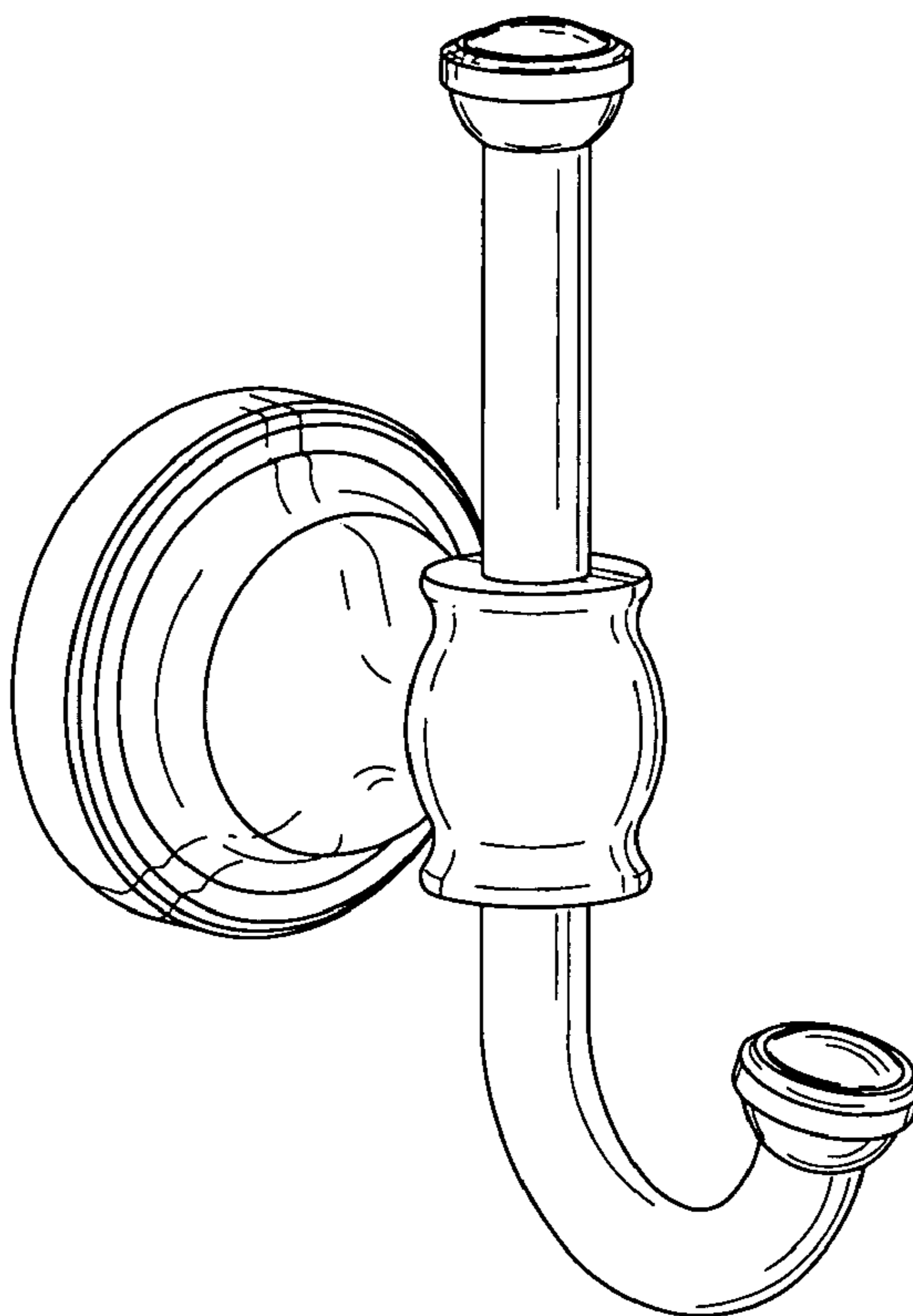
FIG. 2 is a top plan view thereof;

FIG. 3 is a front elevational view thereof;

FIG. 4 is a bottom view thereof; and,

FIG. 5 is a right side view thereof, the opposite side being a mirror image of the side shown.

**1 Claim, 2 Drawing Sheets**



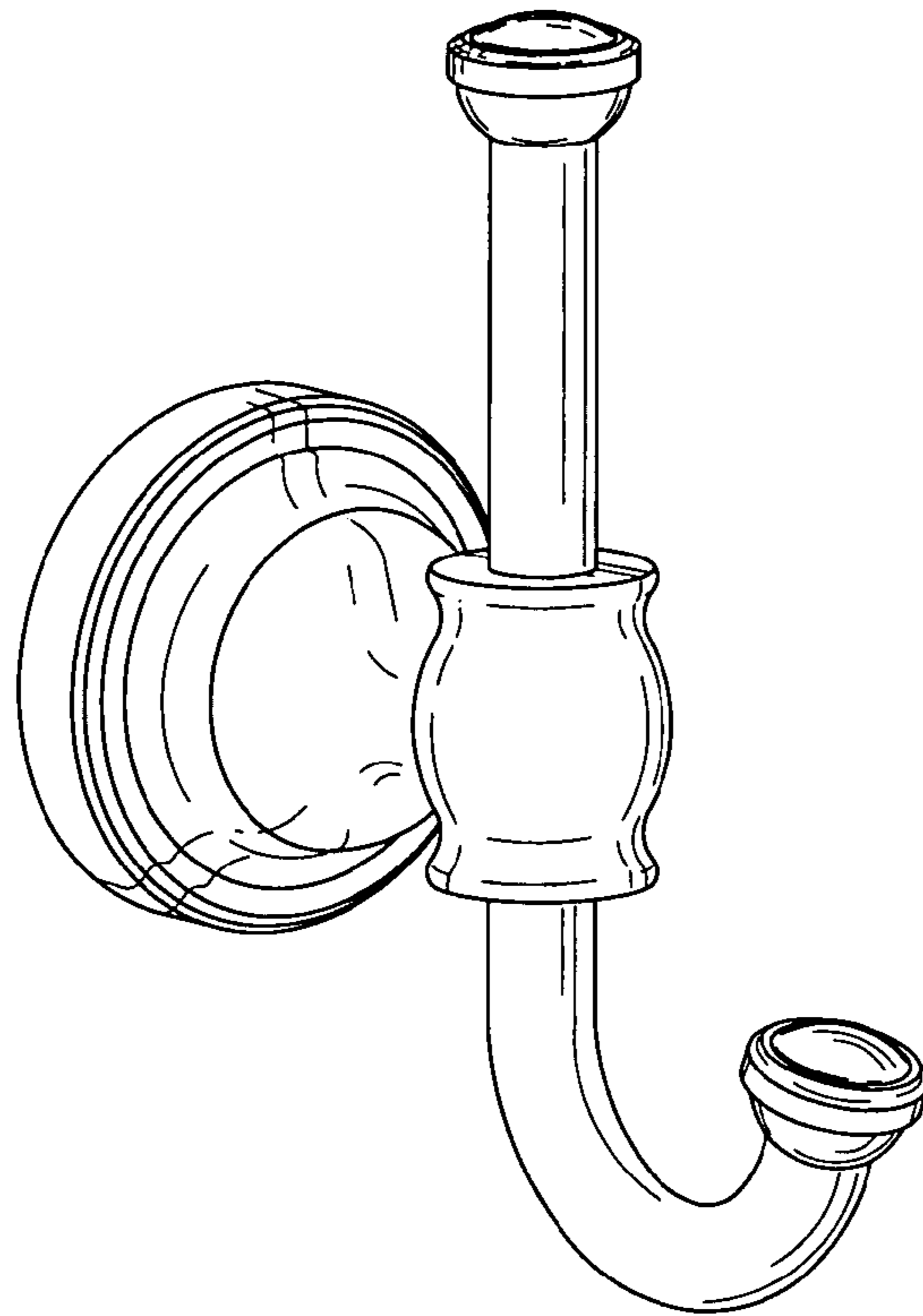


Fig-1

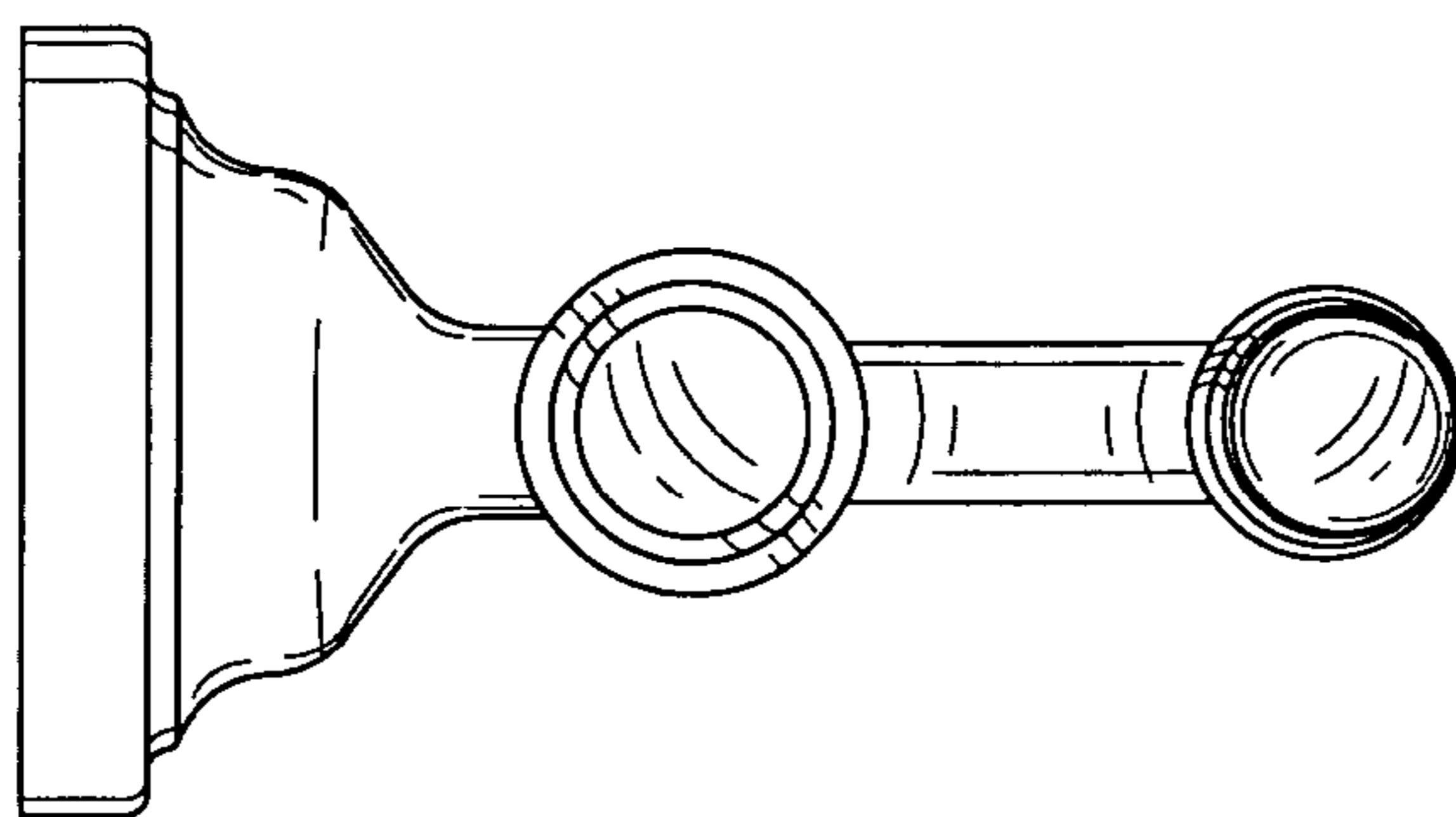


Fig-2

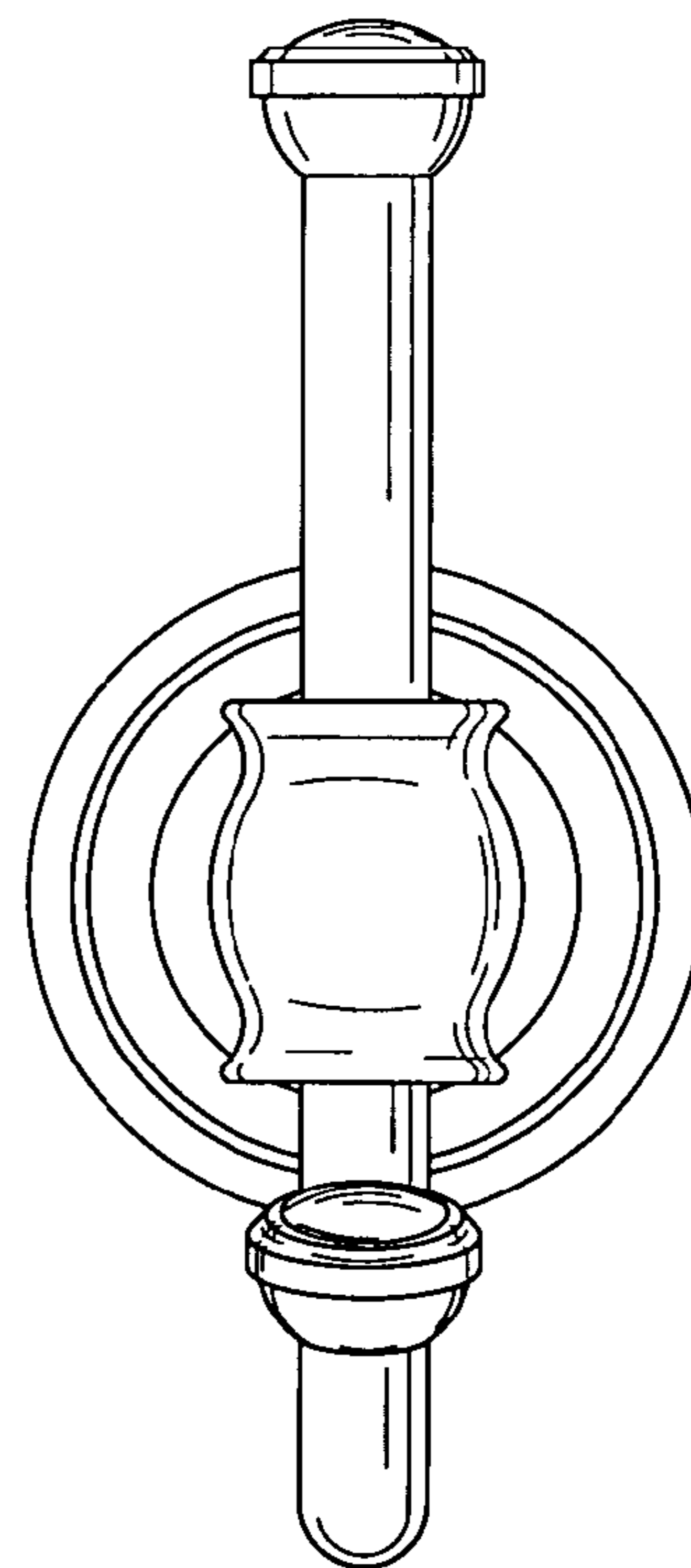


Fig-3

Fig-4

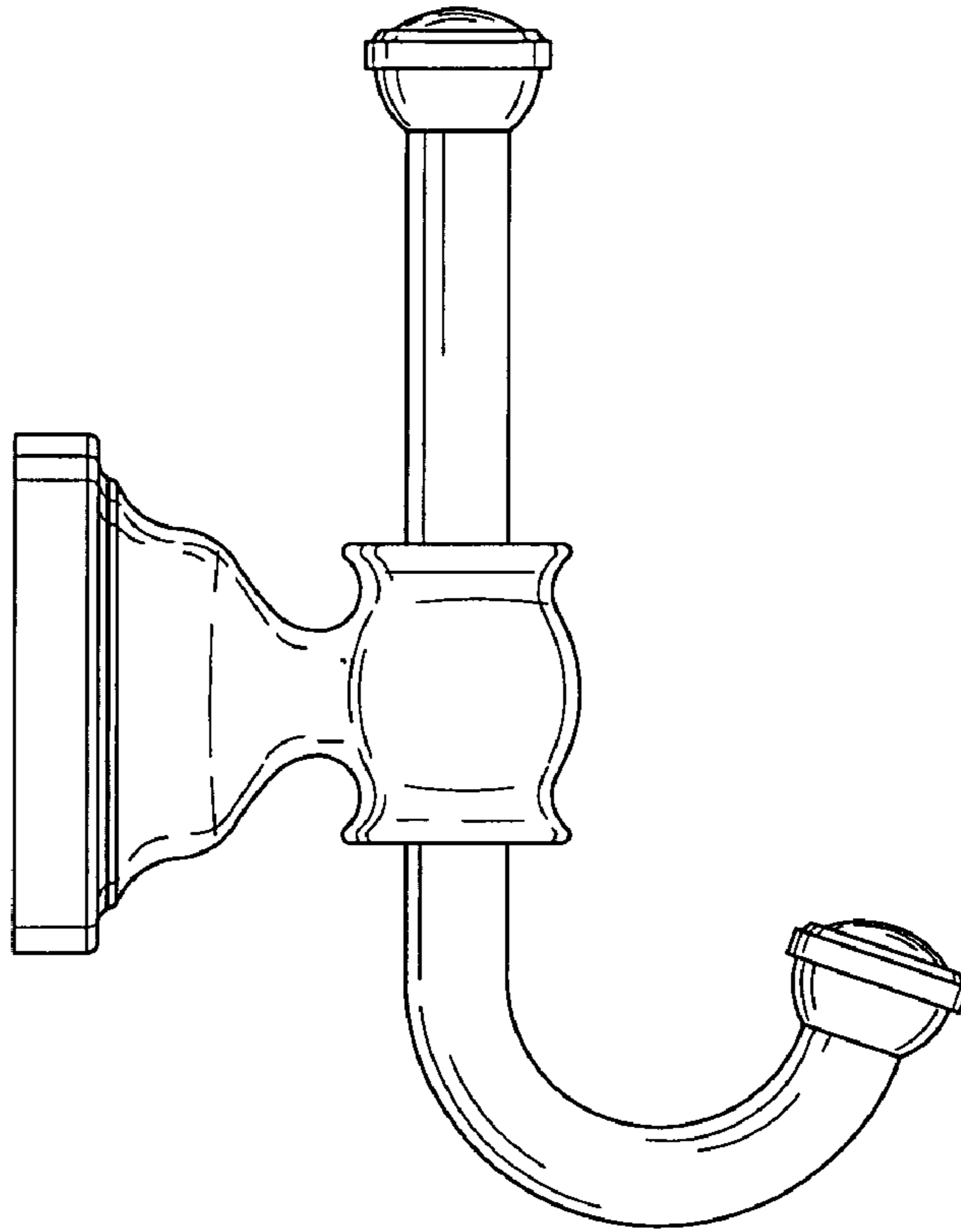


Fig-5

