



US00D580185S

(12) **United States Design Patent**
Lee

(10) **Patent No.:** **US D580,185 S**

(45) **Date of Patent:** **** Nov. 11, 2008**

(54) **ROBE HOOK**

(75) Inventor: **Chia Ying Lee**, Chicago, IL (US)

(73) Assignee: **Liberty Hardware Mfg. Corp.**,
Winston-Salem, NC (US)

(**) Term: **14 Years**

(21) Appl. No.: **29/303,785**

(22) Filed: **Feb. 18, 2008**

(51) **LOC (8) Cl.** **06-08**

(52) **U.S. Cl.** **D6/323**

(58) **Field of Classification Search** D6/315,
D6/317, 320, 323, 325, 328; D8/300, 307,
D8/310, 321, 349, 354, 367, 372, 373; 211/13.1,
211/85.3, 86.01, 183; 223/85-98; 248/200,
248/317, 560

See application file for complete search history.

(56) **References Cited**

U.S. PATENT DOCUMENTS

D343,066 S *	1/1994	Hsu	D6/323
D472,059 S *	3/2003	Hoernig	D6/323
D472,061 S *	3/2003	Hoernig	D6/323
D473,453 S *	4/2003	Goodman et al.	D8/367
D493,093 S *	7/2004	Goodman et al.	D8/367
D496,258 S *	9/2004	Fields	D8/367

D526,132 S *	8/2006	Solowiej	D6/323
D526,494 S *	8/2006	Fields	D6/323
D535,110 S *	1/2007	Hoernig	D6/323
D543,708 S *	6/2007	McConnell	D6/323
D544,220 S *	6/2007	McConnell	D6/323
D563,109 S *	3/2008	Krumpe et al.	D6/323
D568,621 S *	5/2008	Krumpe et al.	D6/323

* cited by examiner

Primary Examiner—Stella M. Reid

Assistant Examiner—Shanda C Hill

(74) *Attorney, Agent, or Firm*—Edgar A. Zarins; Lloyd D. Doigan

(57) **CLAIM**

The ornamental design for a robe hook, as shown and described.

DESCRIPTION

FIG. 1 is a perspective view of a robe hook showing my new design;

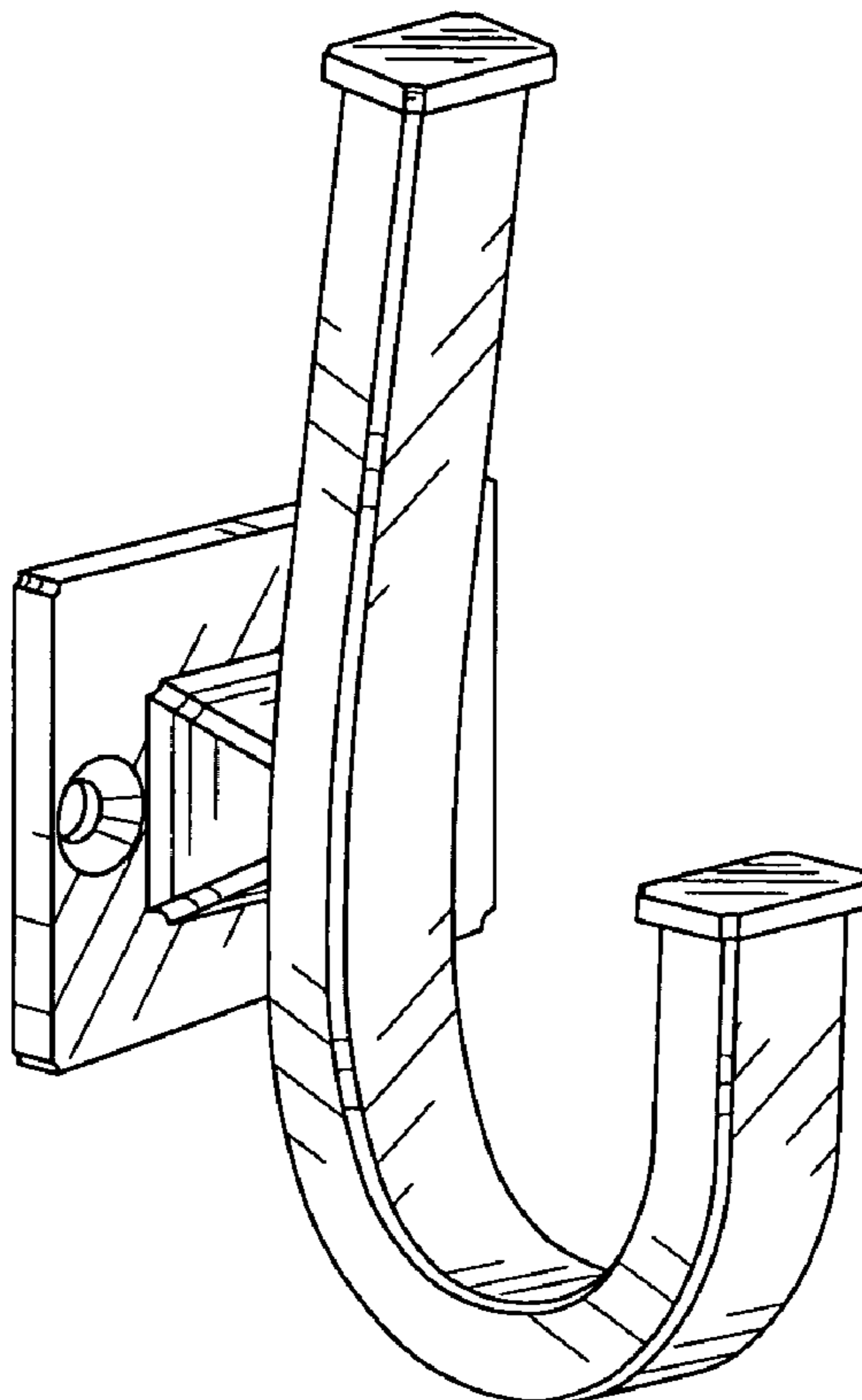
FIG. 2 is a right side view thereof, the opposite side being a mirror image of the side shown;

FIG. 3 is a front elevational view thereof;

FIG. 4 is a top plan view thereof; and,

FIG. 5 is a bottom plan view thereof,.

1 Claim, 2 Drawing Sheets



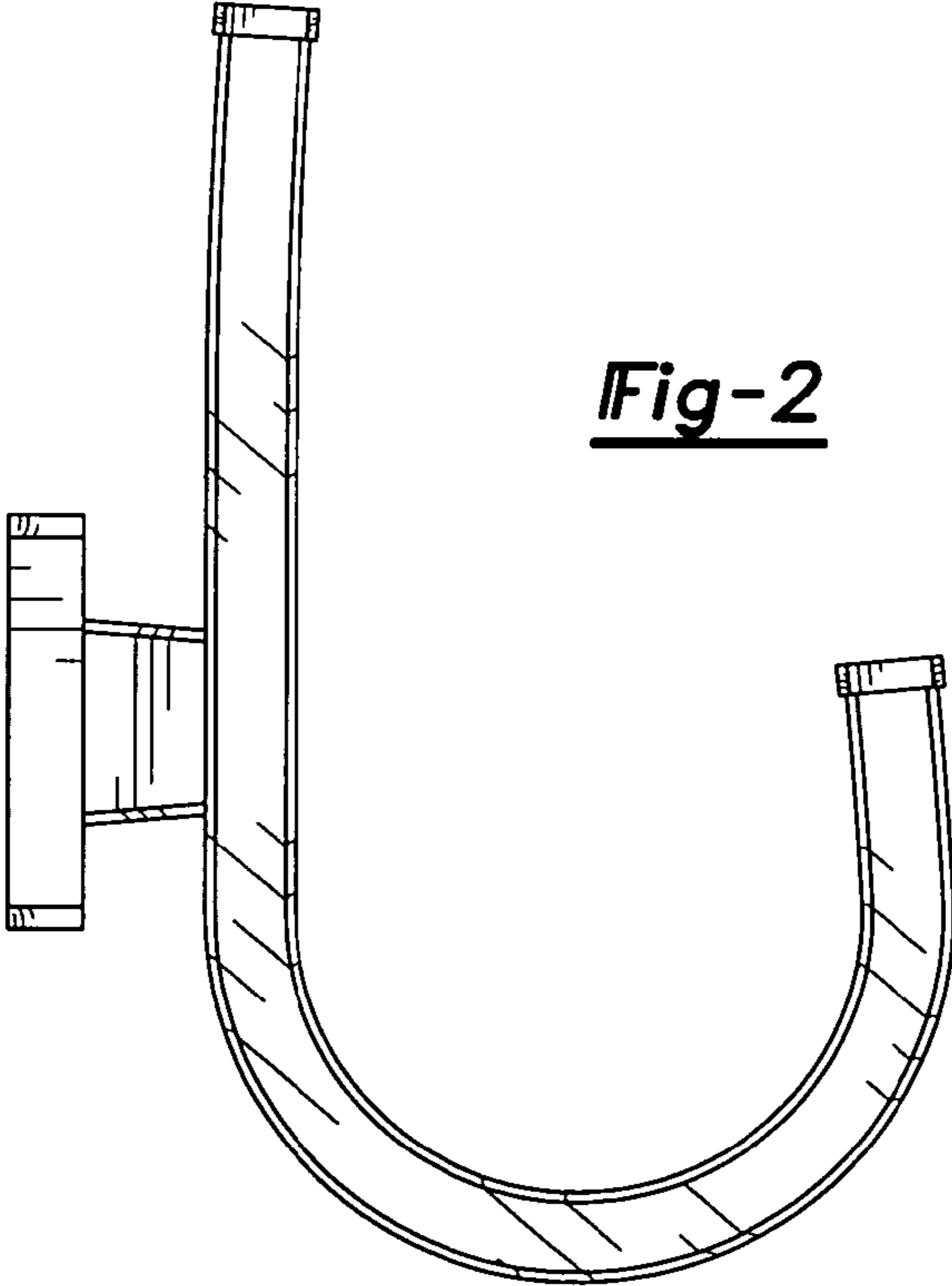
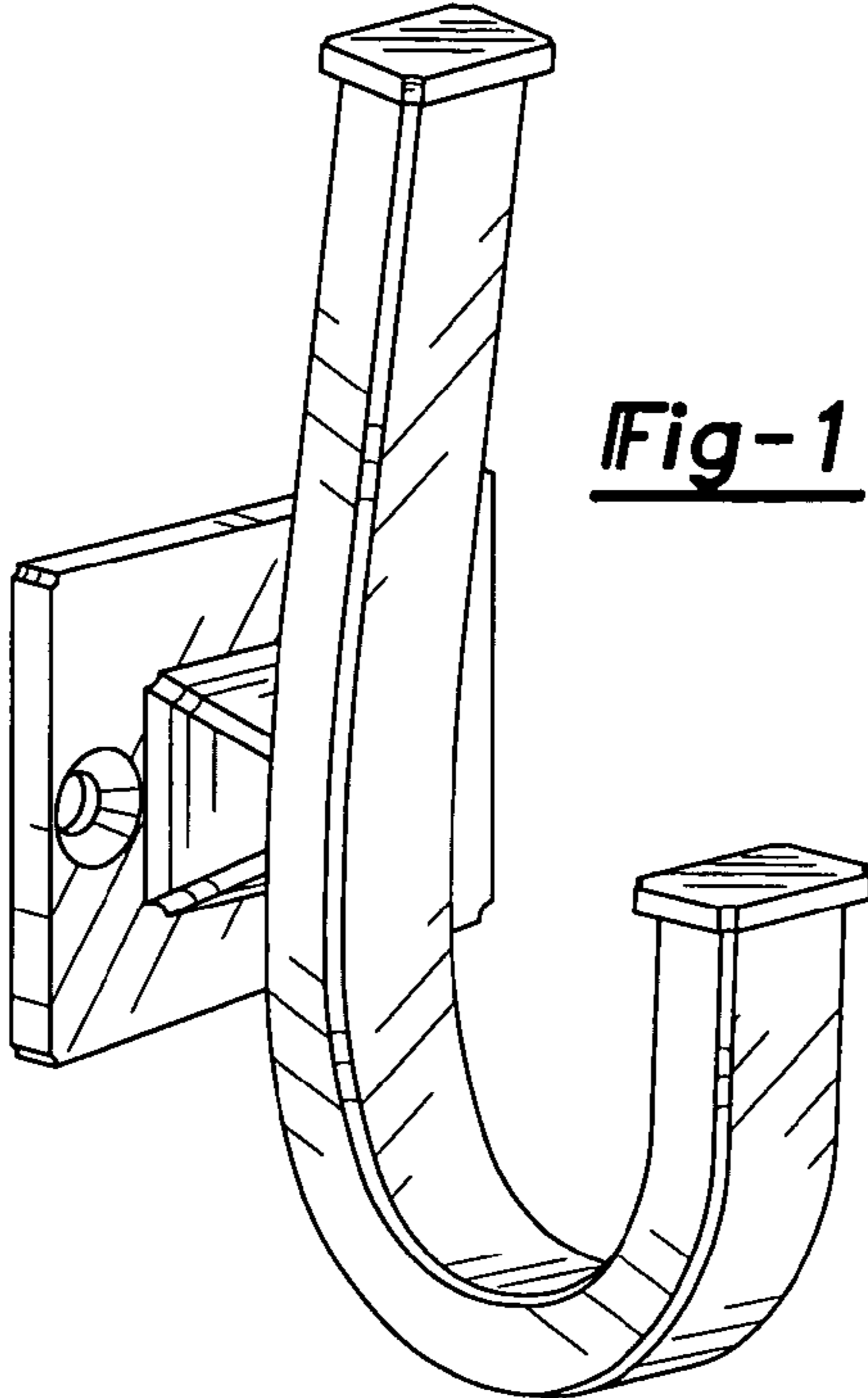


Fig-3

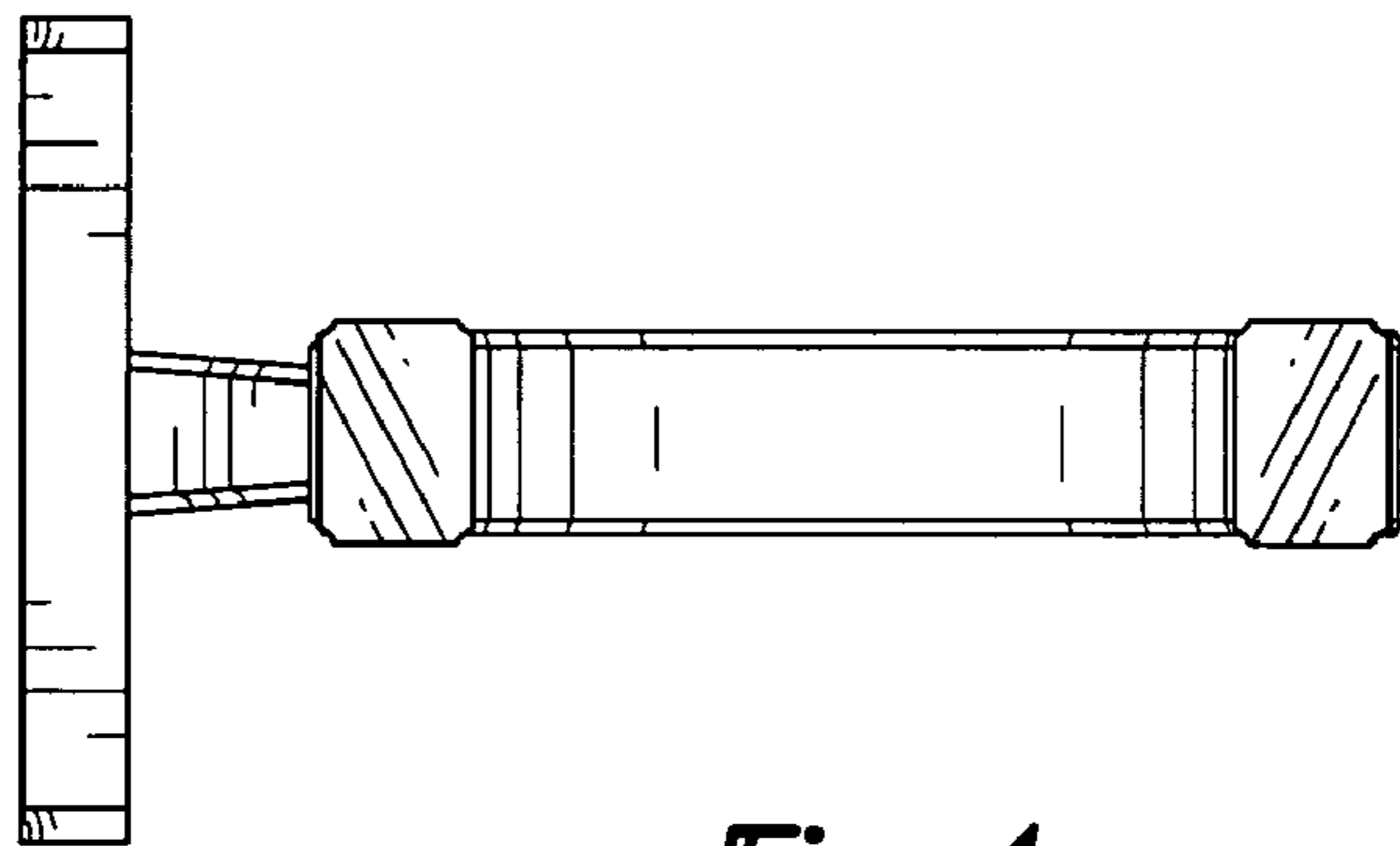
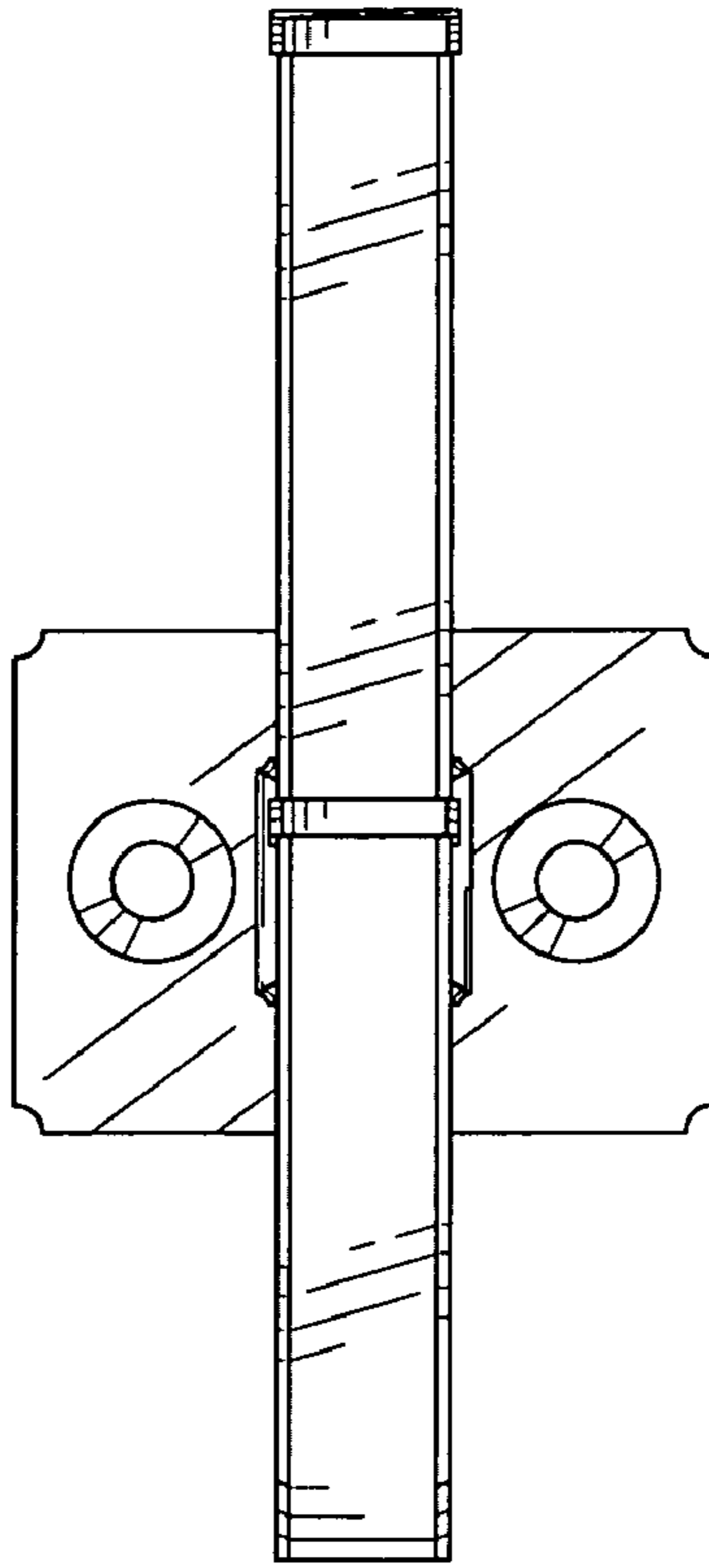


Fig-4

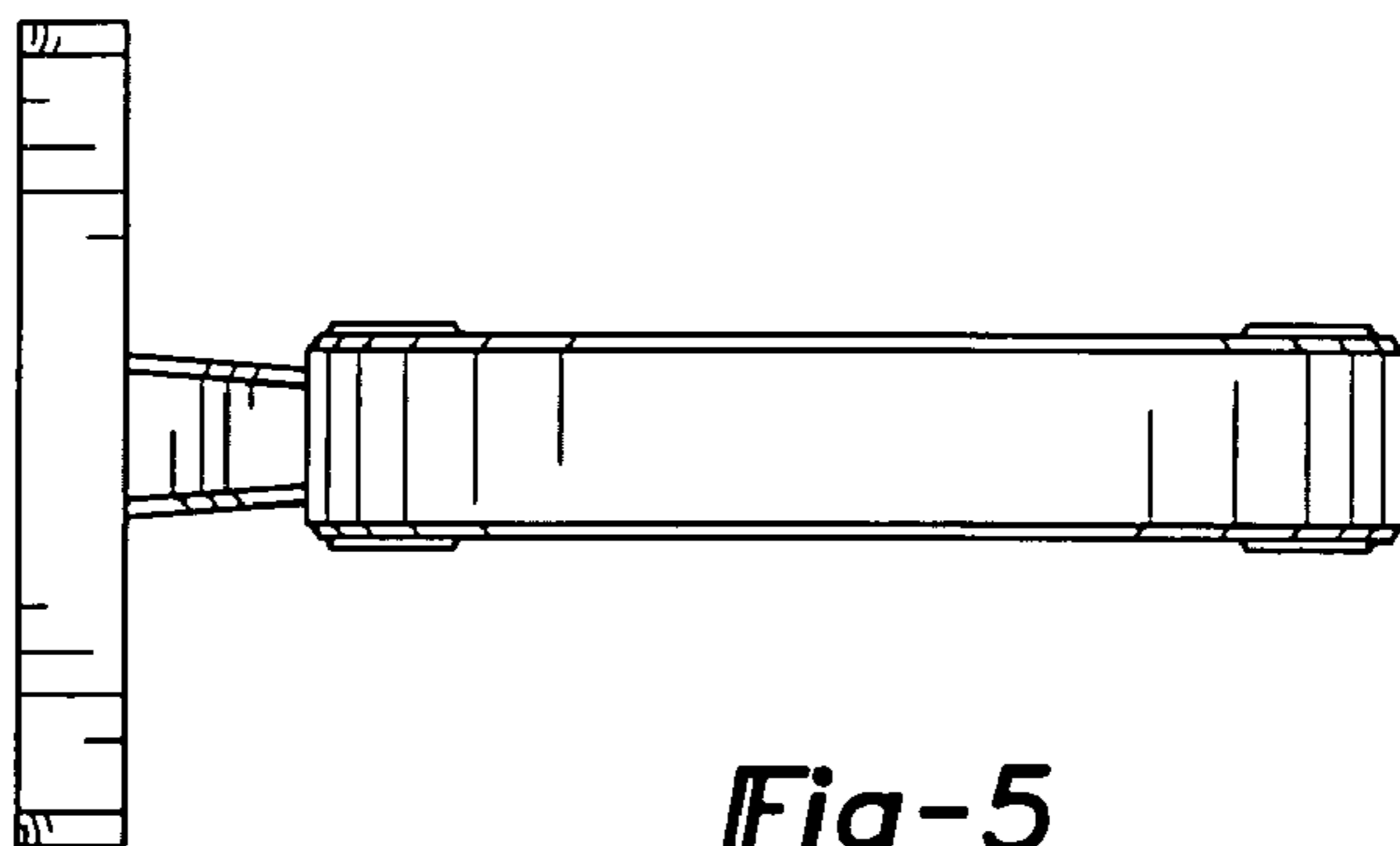


Fig-5