



US00D580176S

(12) **United States Design Patent**
Matousek et al.

(10) **Patent No.:** **US D580,176 S**

(45) **Date of Patent:** **** Nov. 11, 2008**

(54) **SNOW BRUSH**

(75) Inventors: **Dennis Matousek**, West Chicago, IL (US); **Stephen Whitehead**, Elgin, IL (US); **Michael Thuma**, La Grange, IL (US)

(73) Assignee: **Suncast Technologies, LLC**, Palm Beach Gardens, FL (US)

(**) Term: **14 Years**

(21) Appl. No.: **29/317,539**

(22) Filed: **May 1, 2008**

(51) **LOC (8) Cl.** **04-01**

(52) **U.S. Cl.** **D4/118; D4/129; D4/138**

(58) **Field of Classification Search** D4/118, D4/129, 132-134, 138; D8/107, 303; 15/143.1, 15/111, 236.01, 236.02, 236.08; 16/110.1, 16/430, 444, 446, DIG. 12, DIG. 19; D32/34, D32/35, 42, 49, 51

See application file for complete search history.

(56) **References Cited**

U.S. PATENT DOCUMENTS

D265,269 S *	7/1982	Frantz	D4/118
D337,436 S *	7/1993	Hopkins	D4/118
D369,472 S *	5/1996	Laubach et al.	D4/138
D373,251 S *	9/1996	Young	D4/118
D456,143 S *	4/2002	Ingram	D4/118

6,662,399 B1 *	12/2003	Vairo	15/111
D535,544 S *	1/2007	DeBraul et al.	D8/303
D539,629 S *	4/2007	Demar et al.	D8/107

* cited by examiner

Primary Examiner—Cathron Brooks

Assistant Examiner—Lavone D Tabor

(74) *Attorney, Agent, or Firm*—McHale & Slavin, P.A.

(57) **CLAIM**

The ornamental design for a snow brush, as shown and described.

DESCRIPTION

FIG. 1 is a top perspective view of the snow brush of the instant invention;

FIG. 2 is a bottom perspective view thereof;

FIG. 3 is a rear perspective view thereof;

FIG. 4 is a top view thereof;

FIG. 5 is a bottom view thereof;

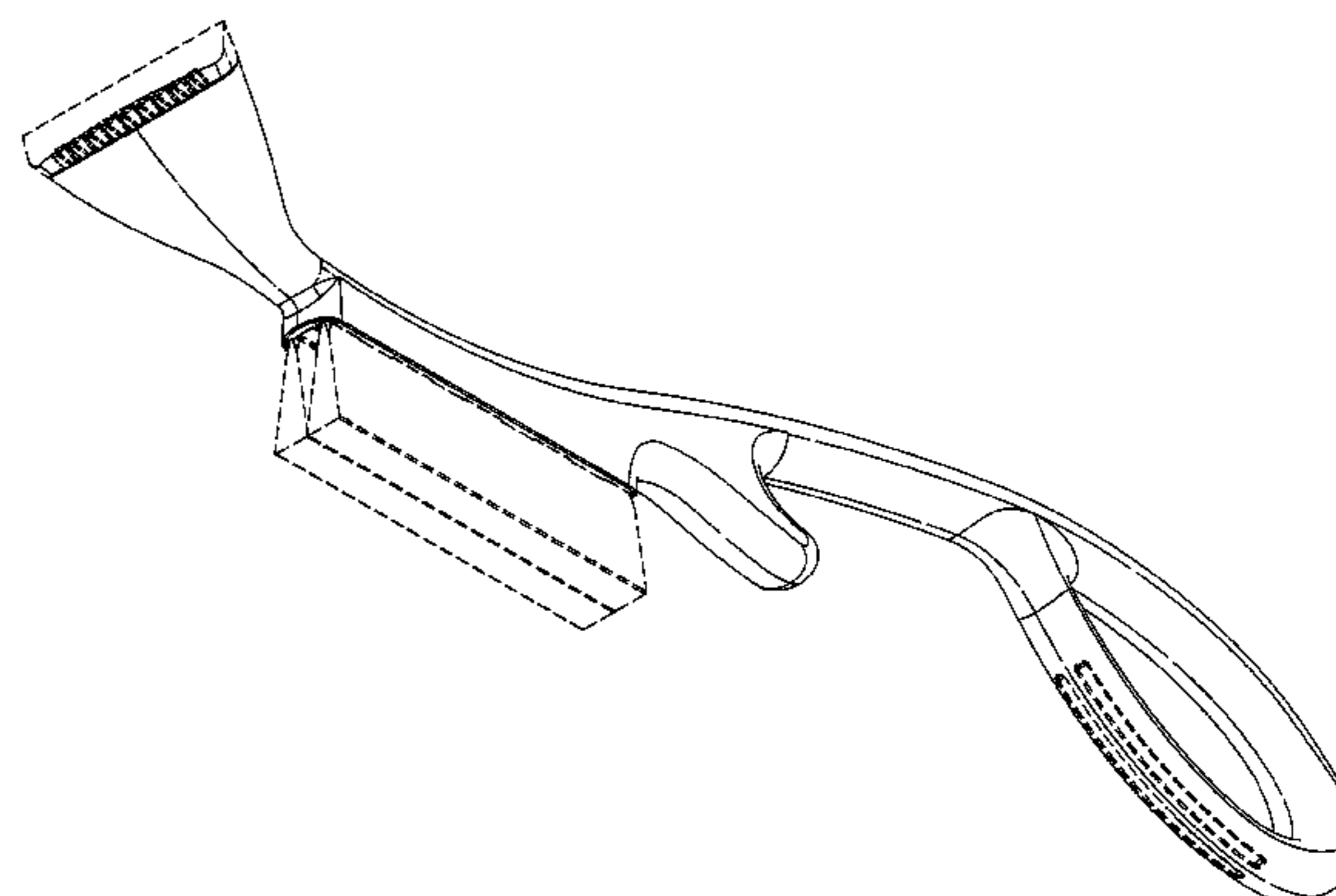
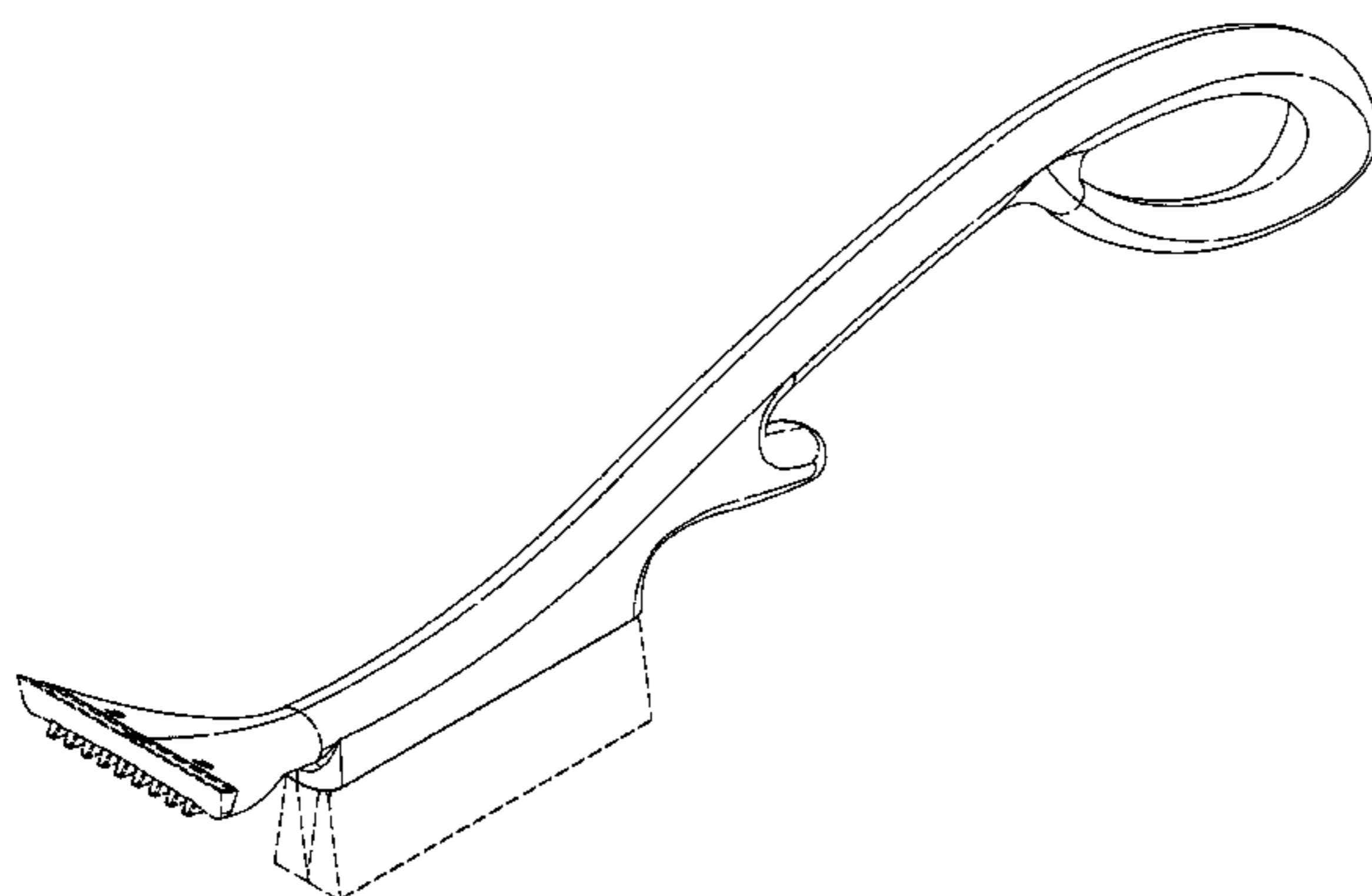
FIG. 6 is a right side view thereof, the left side view being a mirror image thereof;

FIG. 7 is a front view thereof; and,

FIG. 8 is a rear view thereof.

The portions of the Figures shown in broken lines are for illustrative purposes only and form no part of the claimed design.

1 Claim, 6 Drawing Sheets



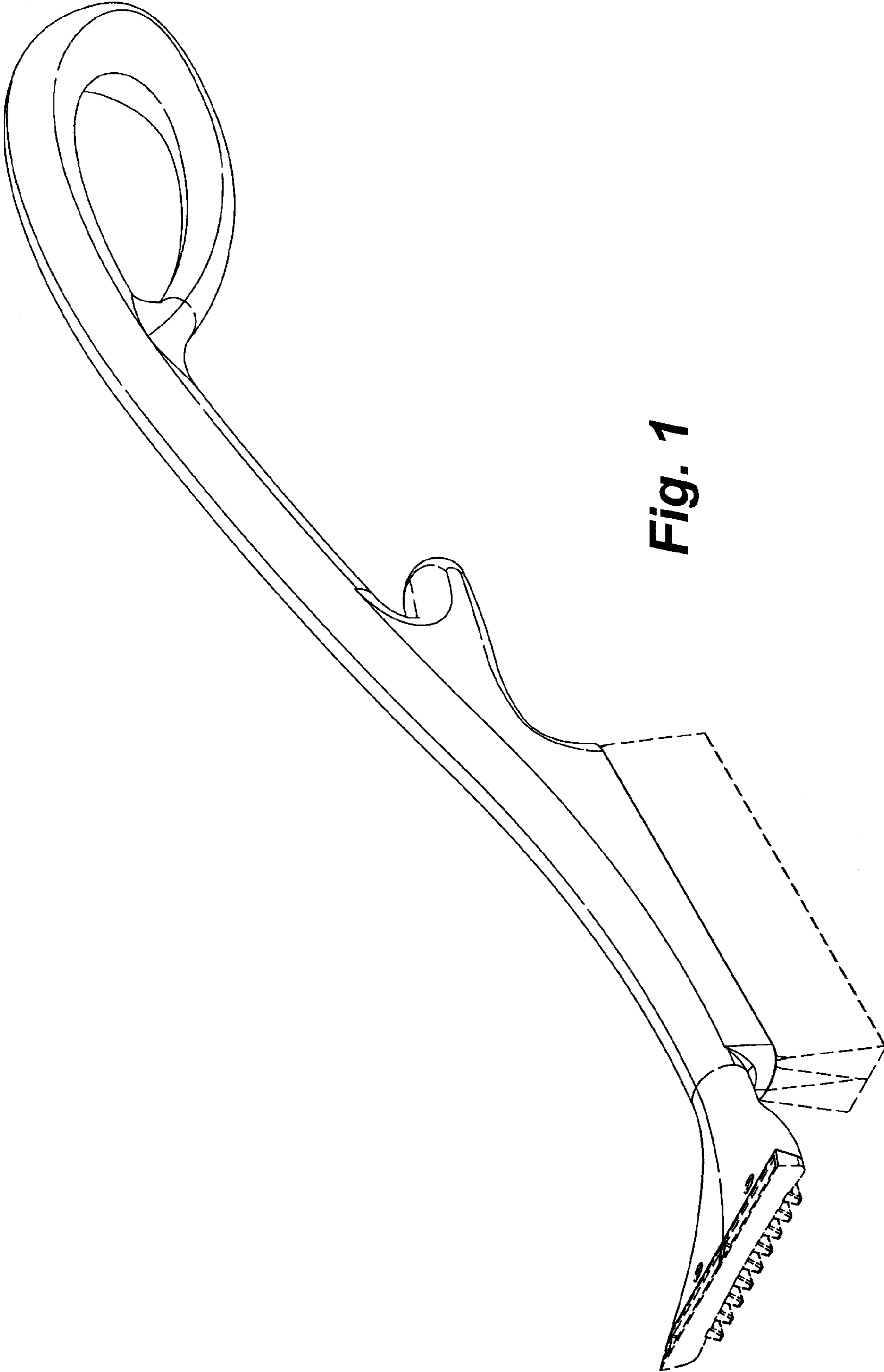


Fig. 1

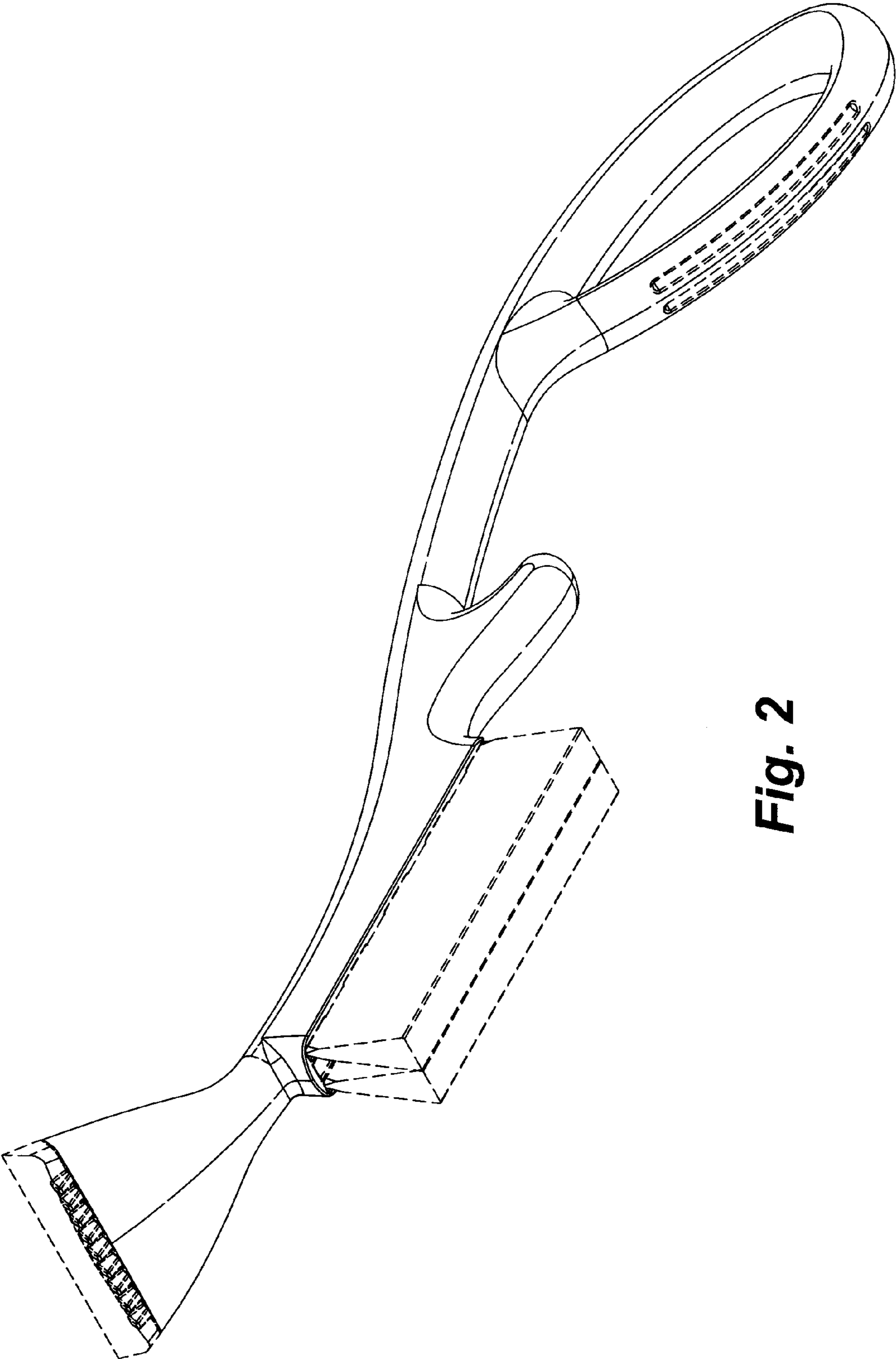


Fig. 2

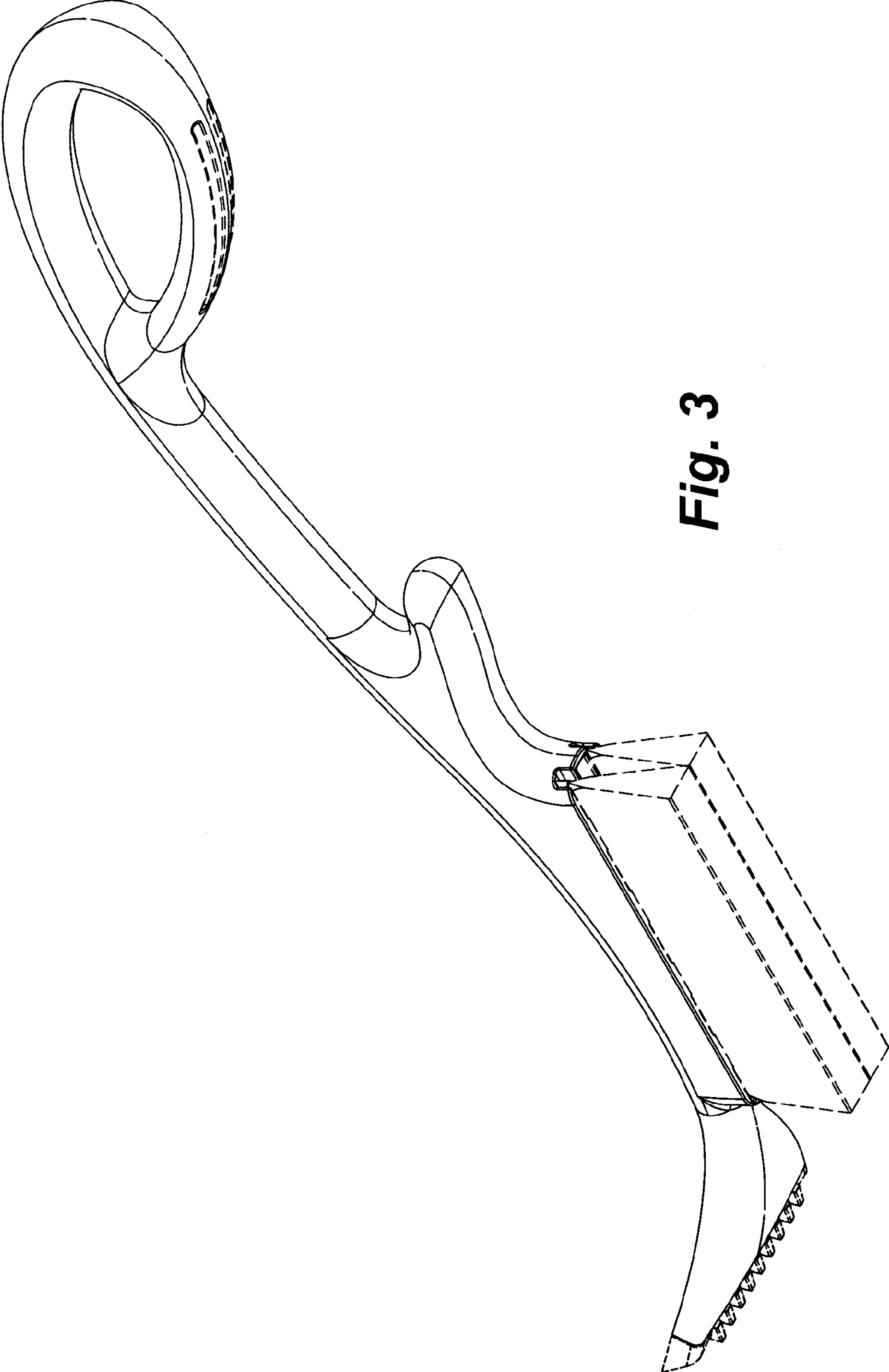


Fig. 3

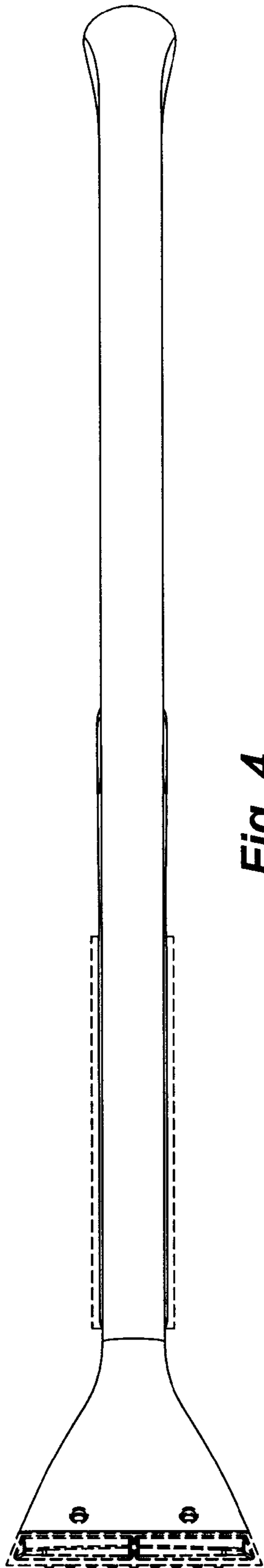


Fig. 4

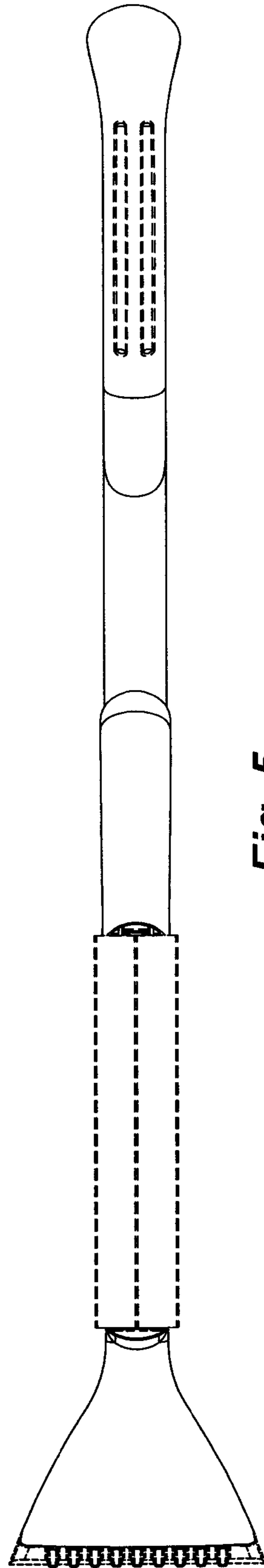


Fig. 5

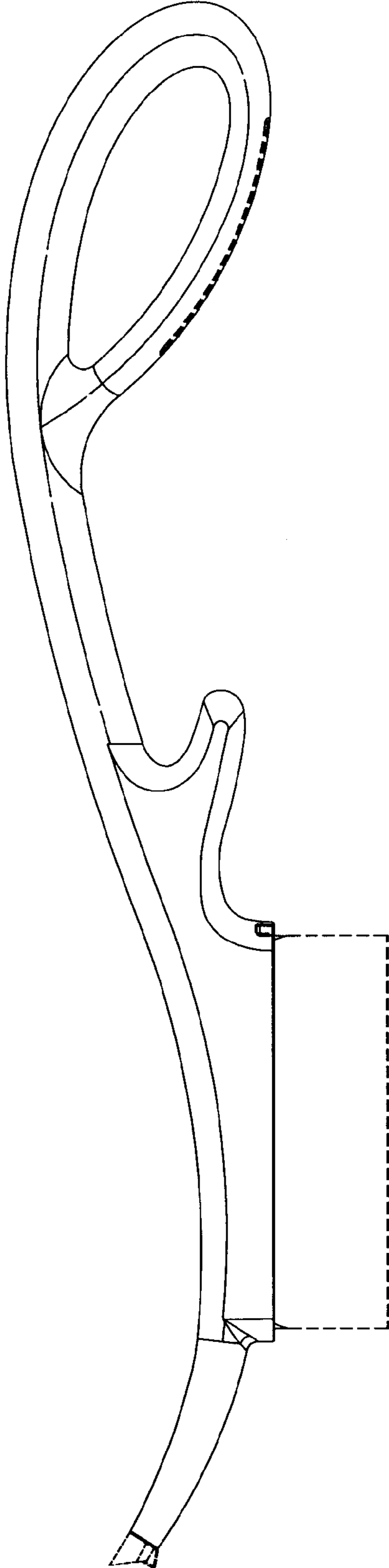


Fig. 6

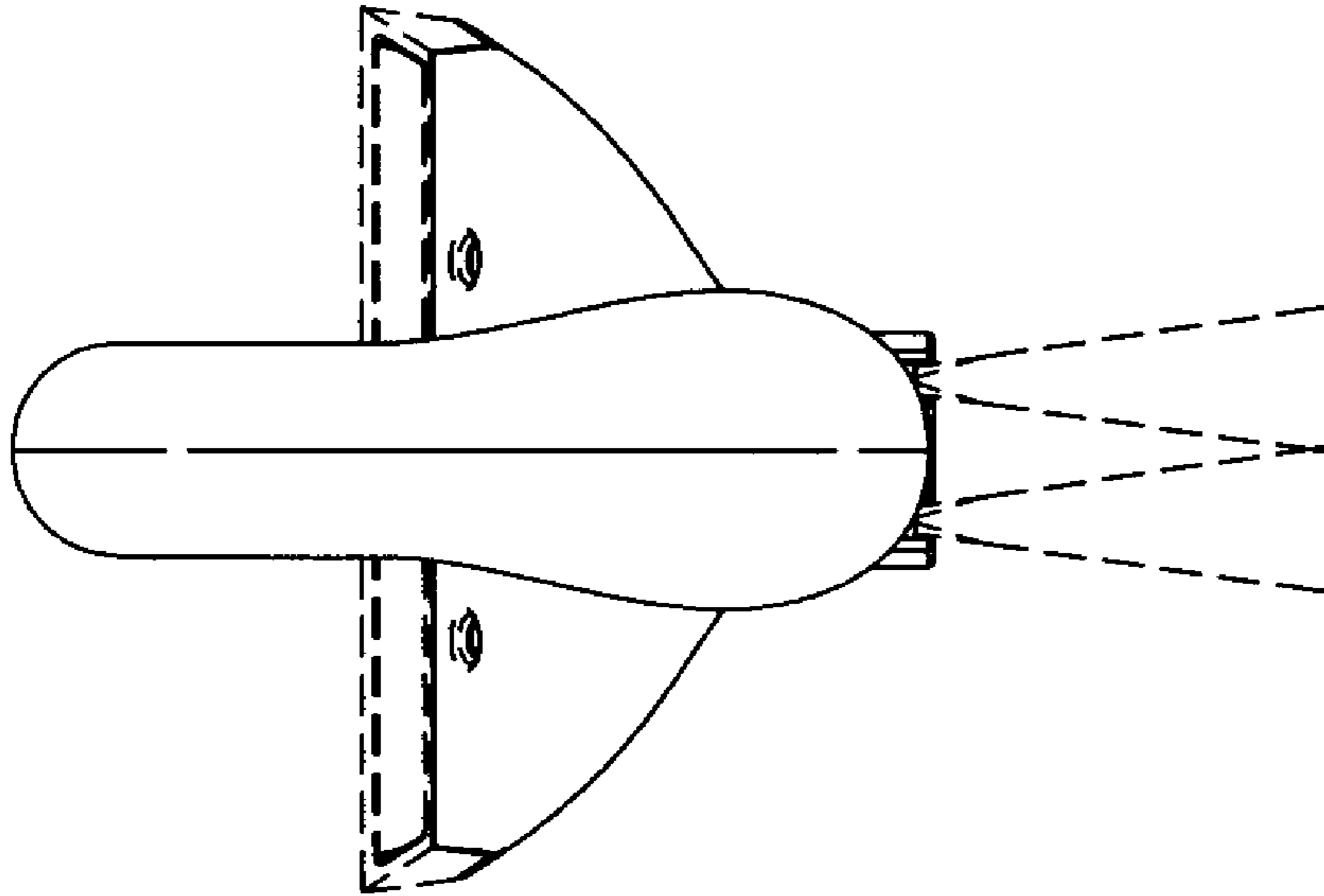


Fig. 7

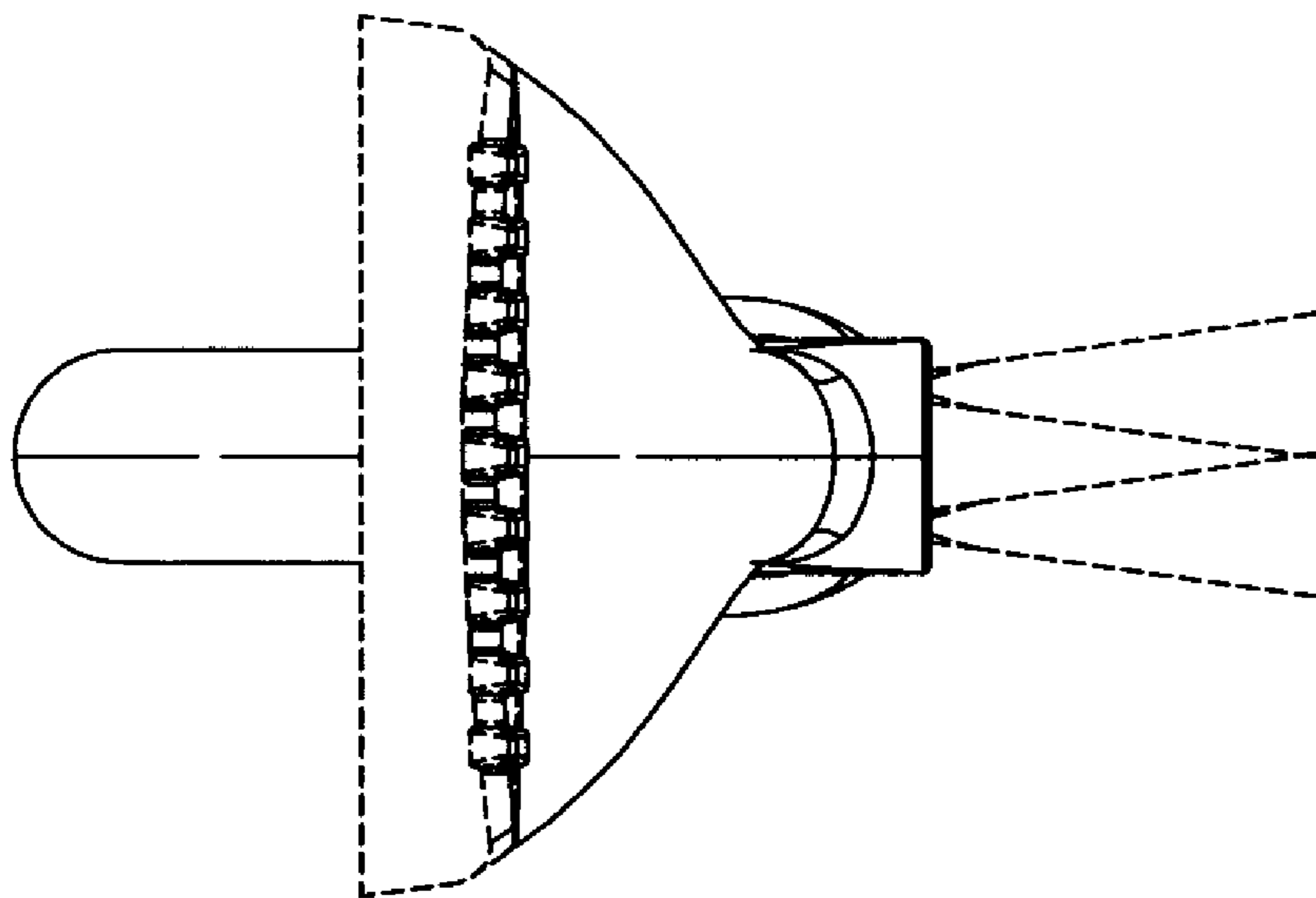


Fig. 8