



US00D580175S

(12) **United States Design Patent**
Quarles

(10) **Patent No.:** **US D580,175 S**

(45) **Date of Patent:** **** Nov. 11, 2008**

(54) **COMBINATION TOOTHBRUSH,
MOUTHWASH CONTAINER AND DENTAL
FLOSS CONTAINER**

Primary Examiner—Cathron Brooks
Assistant Examiner—Lavone D. Tabor
(74) *Attorney, Agent, or Firm*—Veronica-Adele R. Cao;
Weiss & Moy, P.C.

(76) **Inventor:** **Debra S. Quarles**, 8104 Starling View
Ct., Las Vegas, NV (US) 89166

(57) **CLAIM**

(**) **Term:** **14 Years**

The ornamental design for a combination toothbrush, mouthwash container, and dental floss container, as shown and described.

(21) **Appl. No.:** **29/294,458**

(22) **Filed:** **Jan. 14, 2008**

DESCRIPTION

(51) **LOC (8) Cl.** **04-02**

FIG. 1 is a perspective view of a combination toothbrush, mouthwash container, and dental floss container showing my new design;

(52) **U.S. Cl.** **D4/108**

FIG. 2 is a top plan view thereof;

(58) **Field of Classification Search** D4/104–112,
D4/114, 132, 134, 138; 15/167.1, 167.2,
15/143.1; D28/66, 68; 132/308–311; 401/183–186
See application file for complete search history.

FIG. 3 is a side elevation view thereof, the opposite side being a mirror image;

(56) **References Cited**

FIG. 4 is a bottom plan view thereof;

U.S. PATENT DOCUMENTS

FIG. 5 is a right end view thereof;

3,853,134 A * 12/1974 McCord 132/309

FIG. 6 is a left end view thereof; and,

4,283,808 A * 8/1981 Beebe 15/145

FIG. 7 is a fragmentary perspective view thereof, showing the dental floss container flipped open to reveal the mouthwash container's opening.

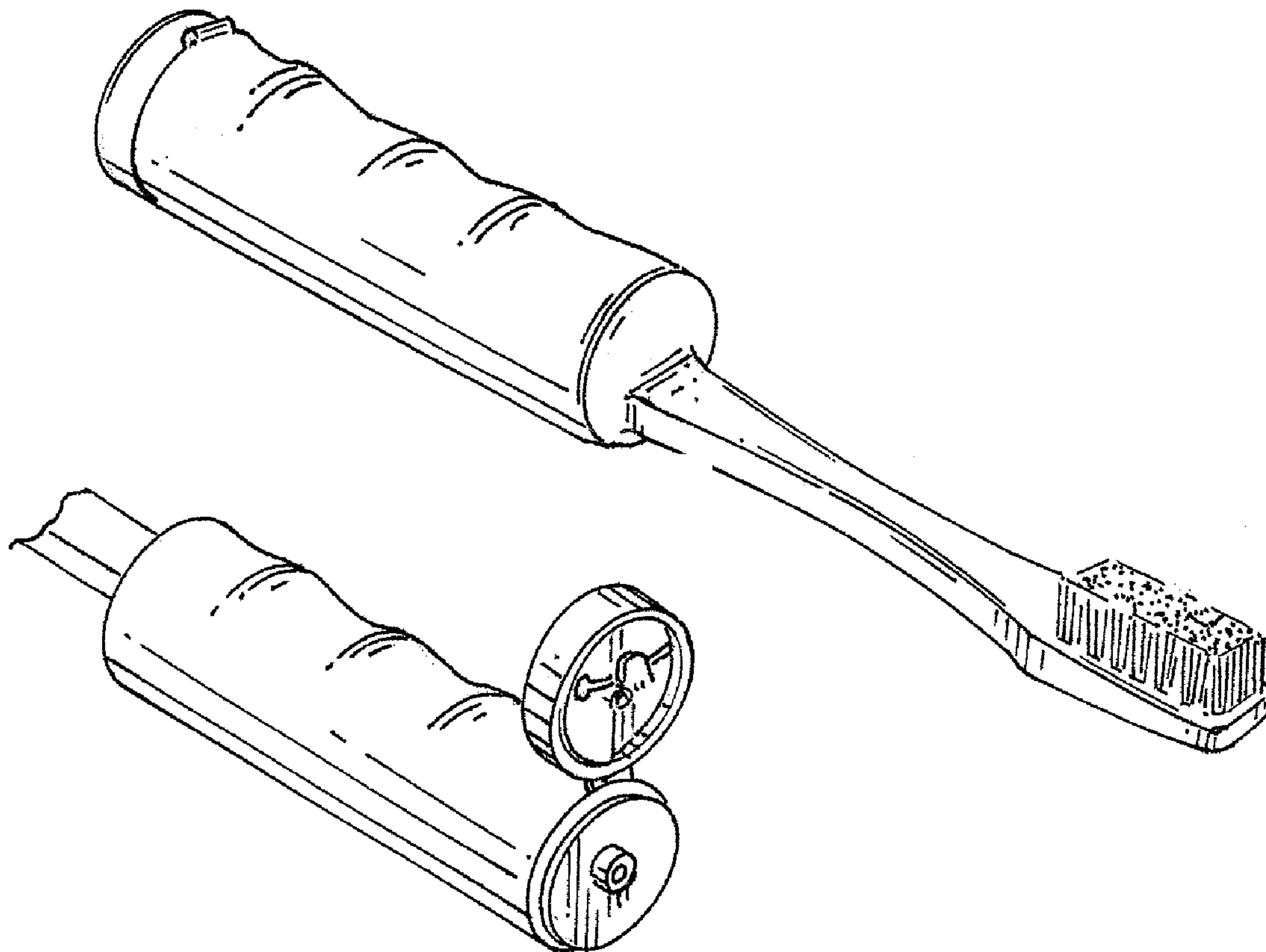
5,304,009 A * 4/1994 Marshall 401/268

D383,609 S * 9/1997 Phillips D4/108

D397,554 S * 9/1998 Sprague D4/108

* cited by examiner

1 Claim, 1 Drawing Sheet



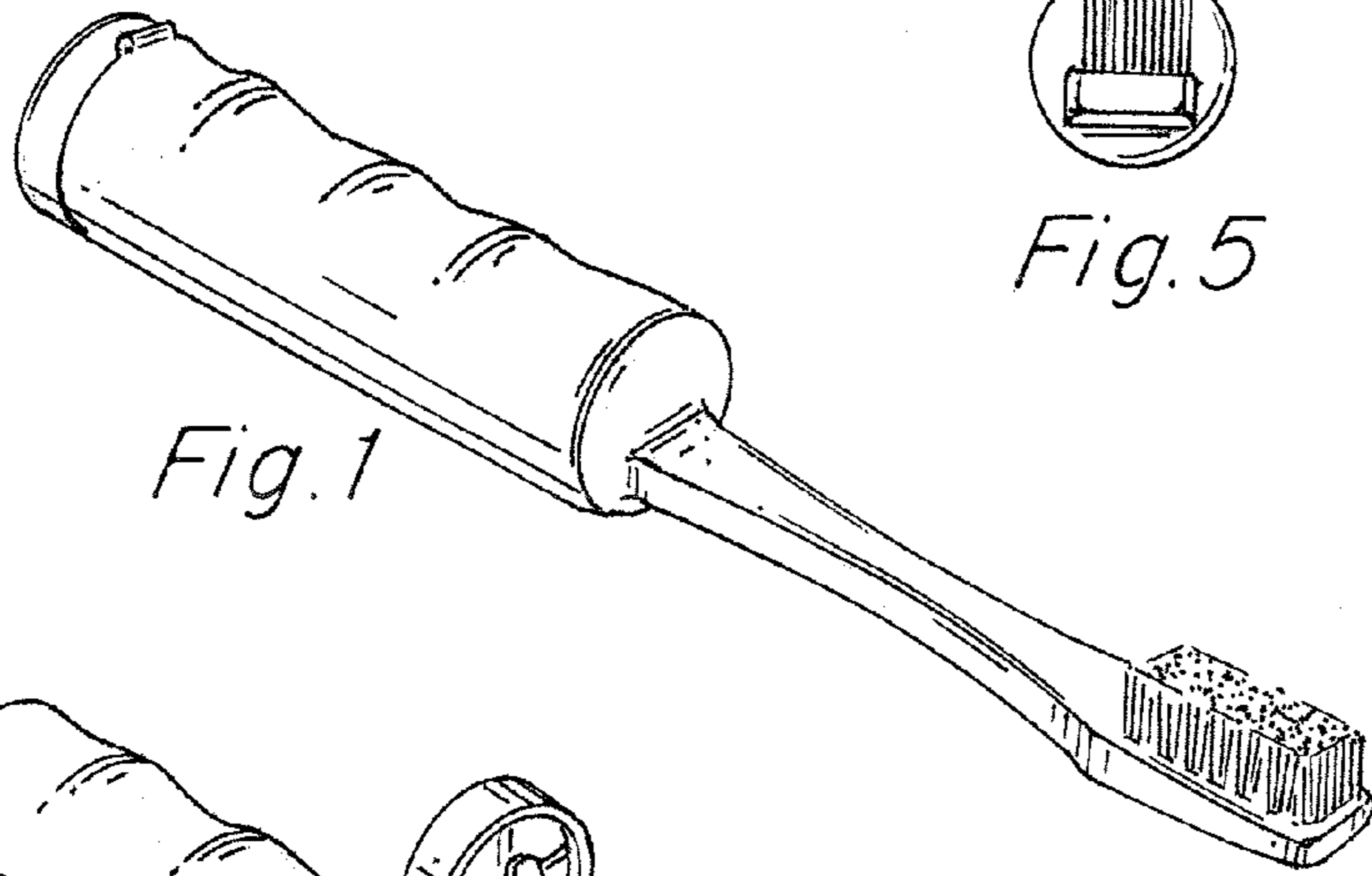


Fig. 1

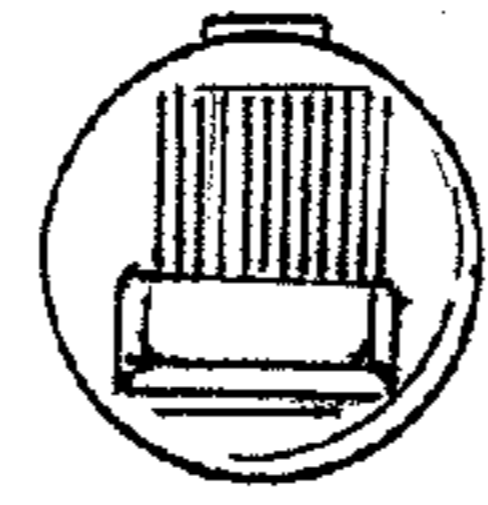


Fig. 5

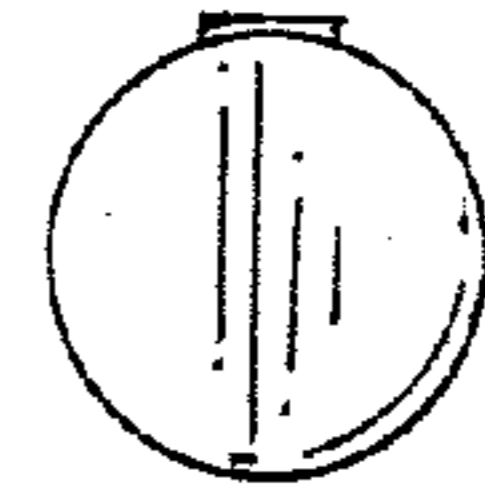


Fig. 6

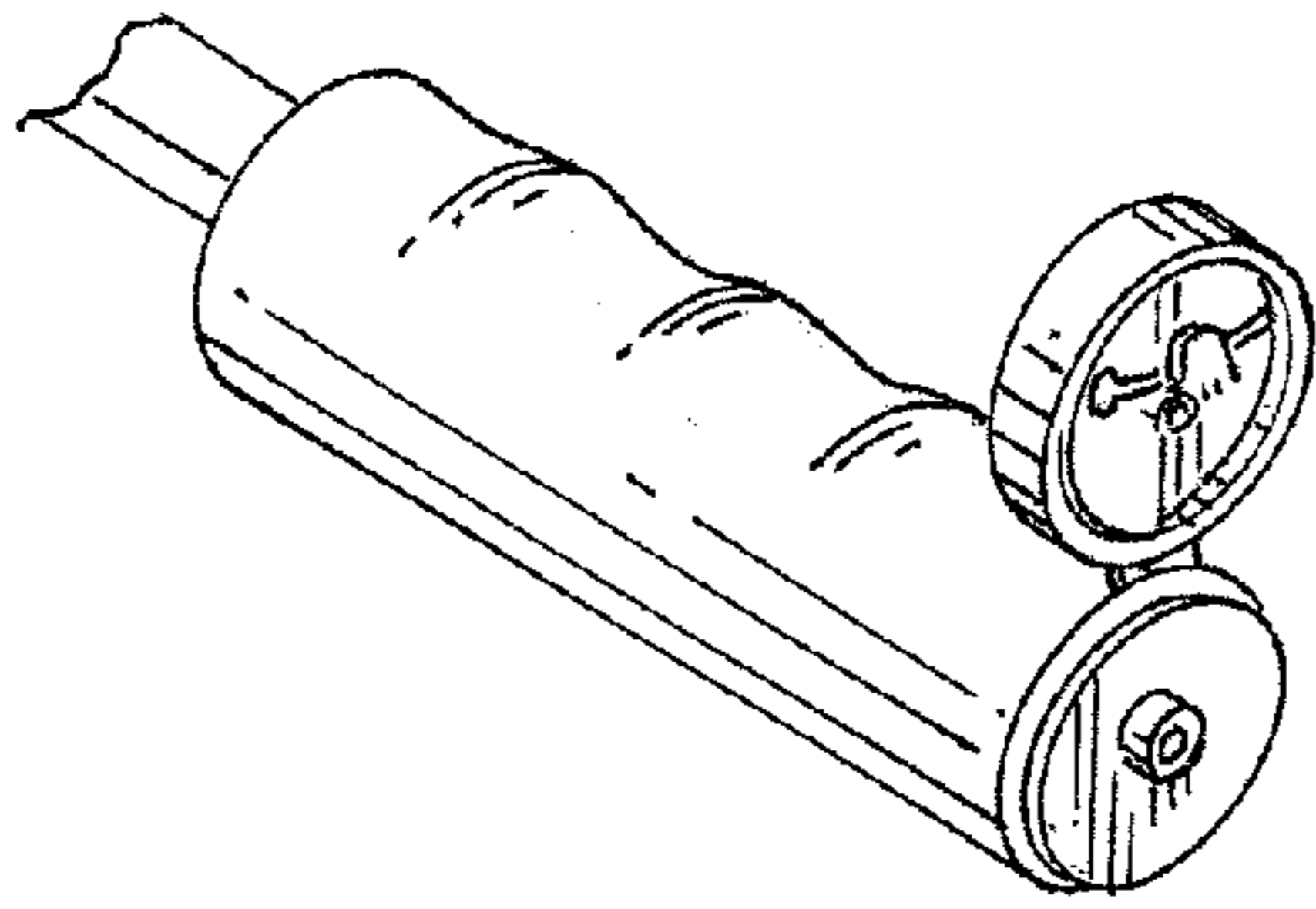


Fig. 7

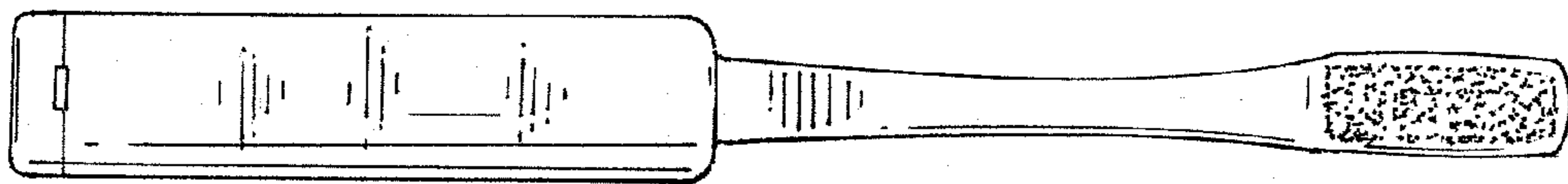


Fig. 2

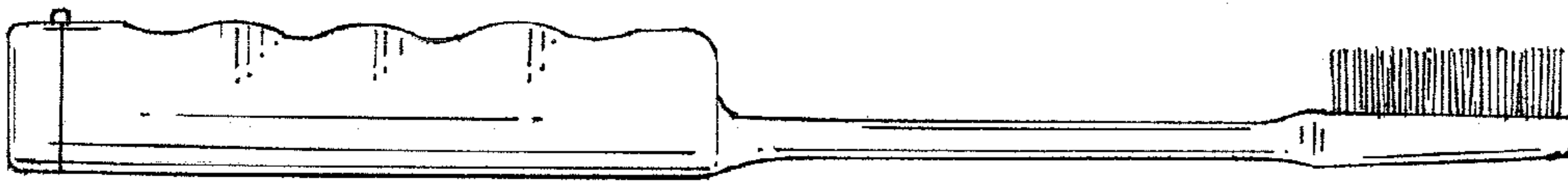


Fig. 3

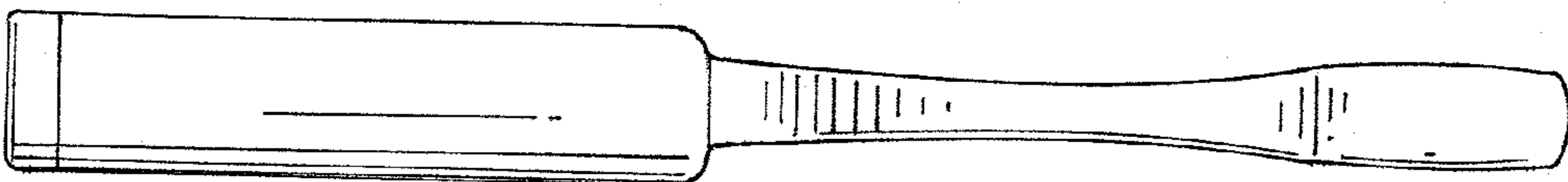


Fig. 4