



US00D580171S

(12) **United States Design Patent**
Weng et al.

(10) **Patent No.:** **US D580,171 S**

(45) **Date of Patent:** **** Nov. 11, 2008**

(54) **TOOLBOX**

(75) Inventors: **Xinyue Weng**, Zhejiang (CN); **Haijun Qiu**, Zhejiang (CN); **Genlong Li**, Zhejiang (CN)

(73) Assignee: **Ningbo Xingue Artist Machinery Manufacturer Co. Ltd.**, Jiagnan Village, Lubu Town, Yuyao, Zhejiang (CN)

(**) Term: **14 Years**

(21) Appl. No.: **29/296,506**

(22) Filed: **Oct. 22, 2007**

(30) **Foreign Application Priority Data**

Apr. 26, 2007 (CN) 2007 3 0115713

(51) **LOC (8) Cl.** **03-01**

(52) **U.S. Cl.** **D3/294; D3/272; D3/905**

(58) **Field of Classification Search** D3/272-273, D3/276, 281, 291, 294-295, 302, 905; D6/440, D6/432, 434; D7/605; D12/414.1; 190/19; 206/349, 372-373, 823
See application file for complete search history.

(56) **References Cited**

U.S. PATENT DOCUMENTS

1,015,604 A * 1/1912 Wilt et al. 190/11
D71,800 S * 1/1927 Jones et al. D3/272
D76,198 S * 8/1928 McArdle D3/272

1,718,134 A * 6/1929 Gallion 190/19
D80,667 S * 3/1930 Berger D3/272
D88,346 S * 11/1932 Fleisig D21/519
D129,108 S * 8/1941 Sprague D3/268
2,439,660 A * 4/1948 Keil 280/37
D294,539 S * 3/1988 Coggins D6/336
D351,502 S * 10/1994 Weir et al. D3/272
D419,766 S * 2/2000 Rekuc D3/272
D497,252 S * 10/2004 Perella et al. D3/294
D528,795 S * 9/2006 Perella et al. D3/297
D529,287 S * 10/2006 Perella et al. D3/294

* cited by examiner

Primary Examiner—Philip Hyder

Assistant Examiner—Roselyne Cody

(74) *Attorney, Agent, or Firm*—Global IP Services; Tian hua Gu

(57) **CLAIM**

The ornamental design for a toolbox, as shown and described.

DESCRIPTION

FIG. 1 is a perspective view of a toolbox showing our new design; and

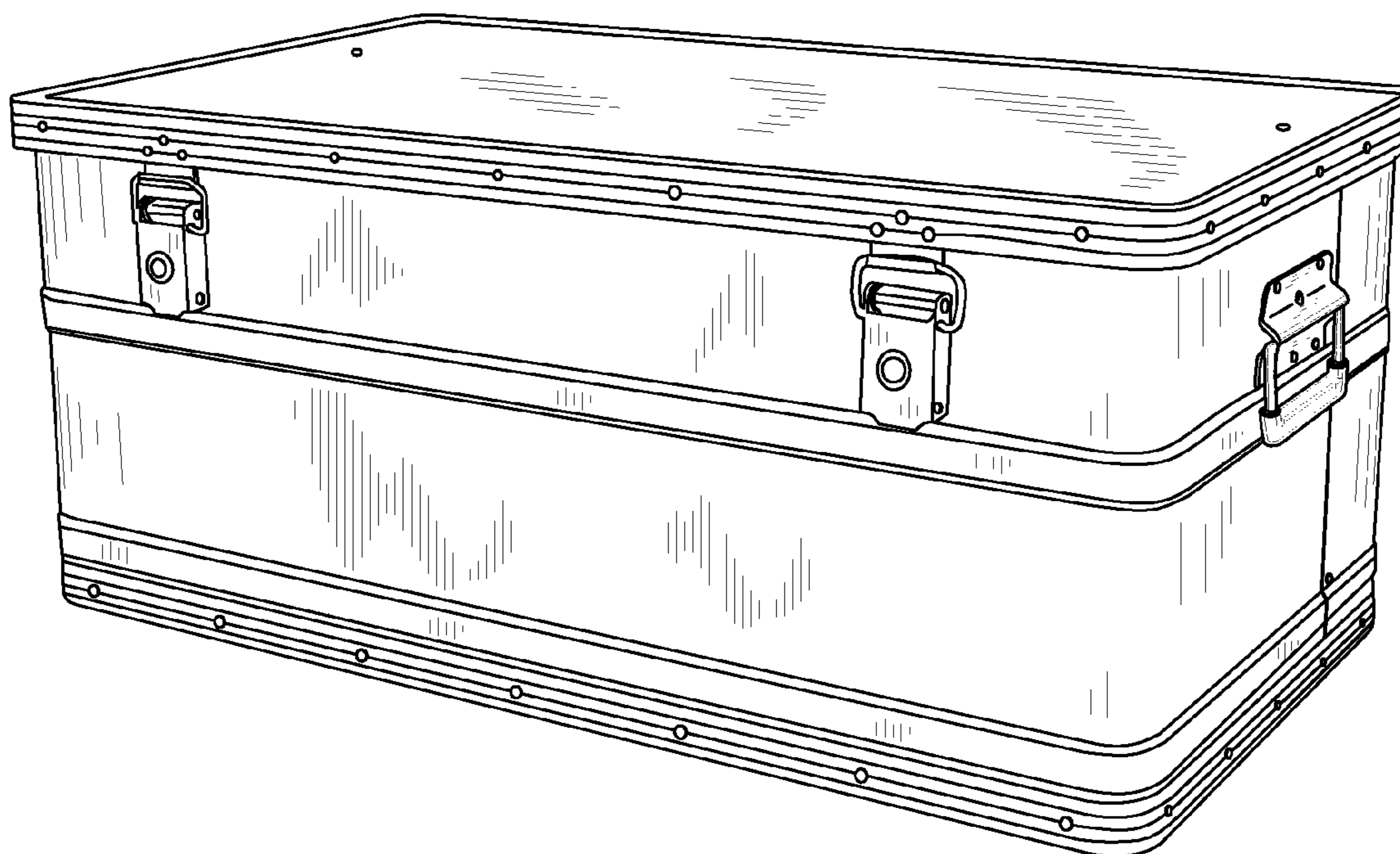
FIG. 2 is a front view thereof;

FIG. 3 is a rear view thereof;

FIG. 4 is a left side view thereof, the right side view is the same as the left side view; and,

FIG. 5 is a top plan view thereof.

1 Claim, 5 Drawing Sheets



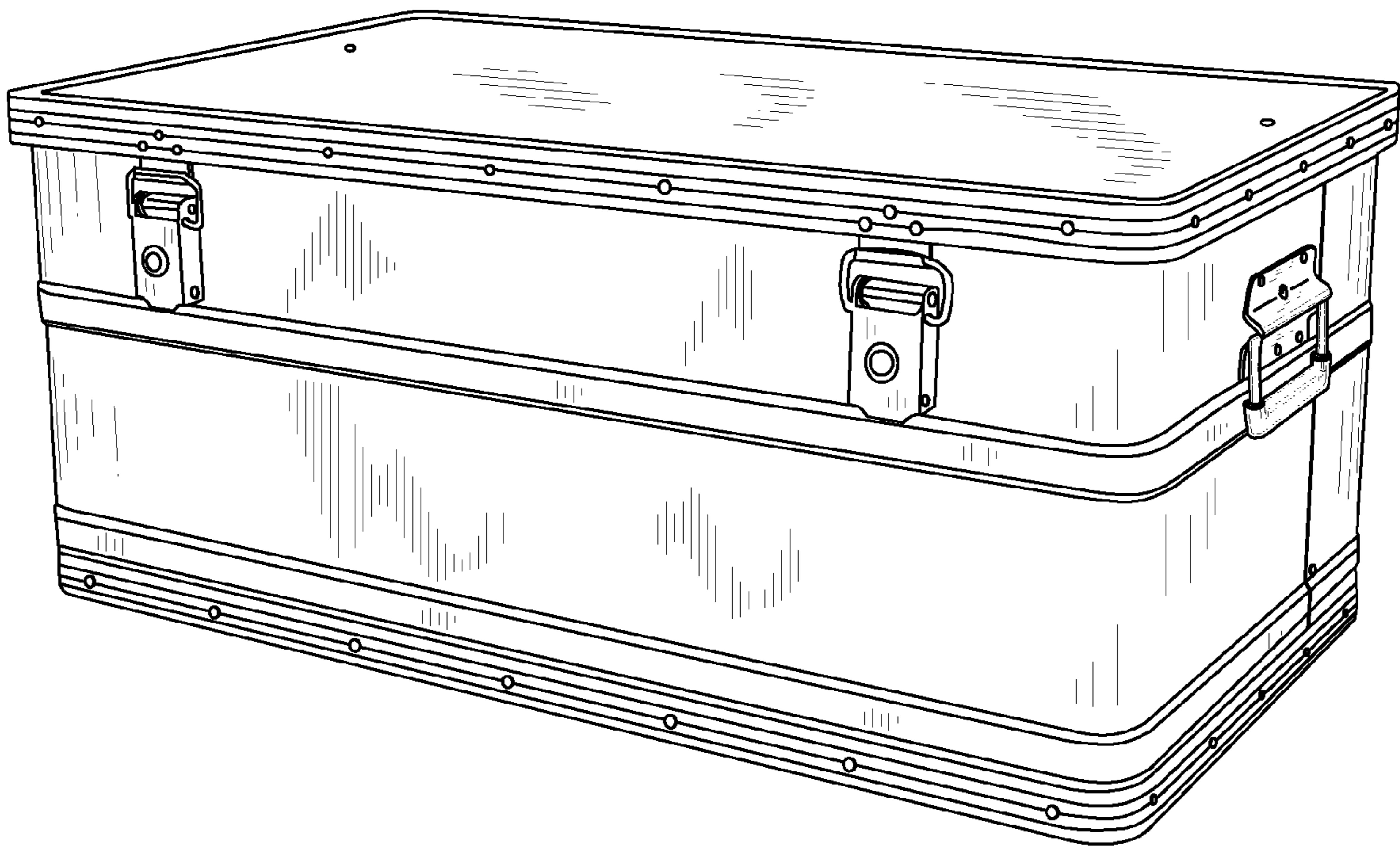


Fig. 1

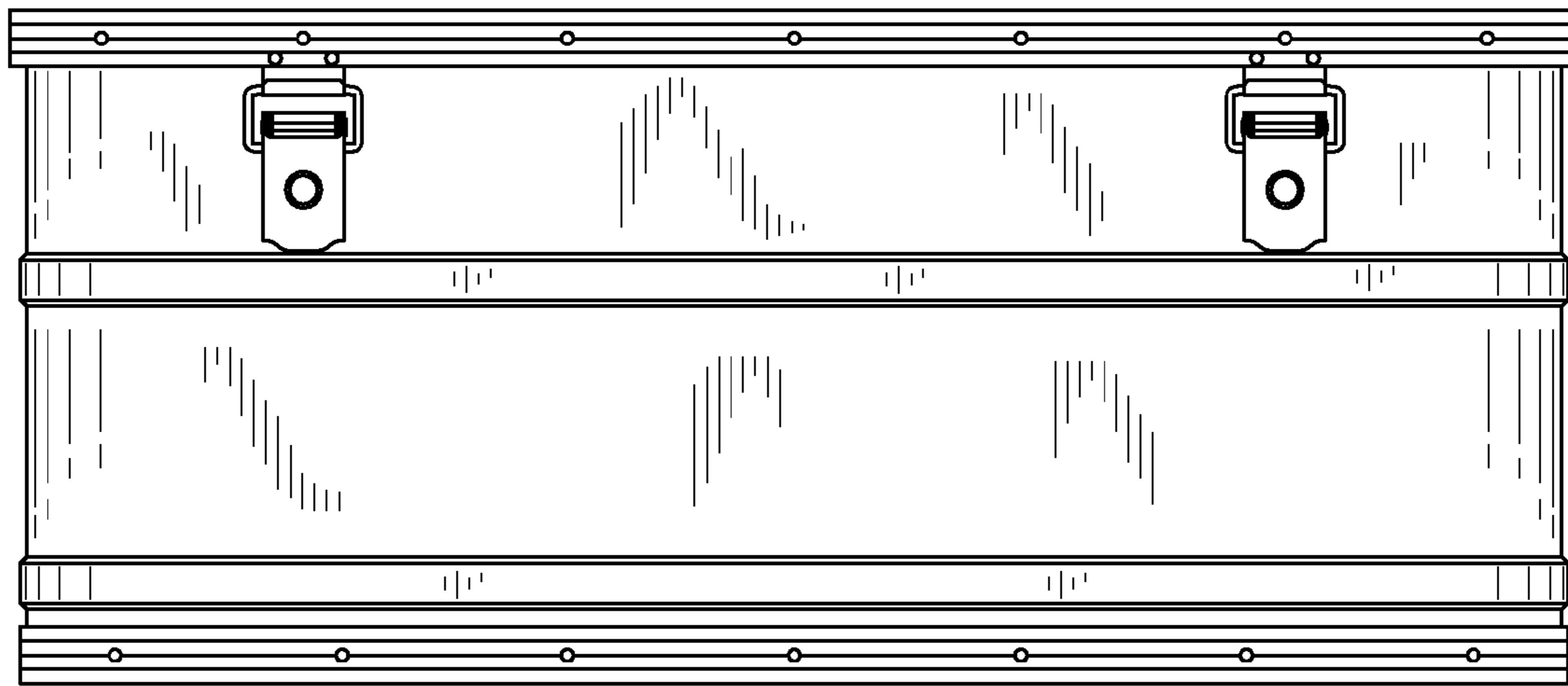


Fig. 2

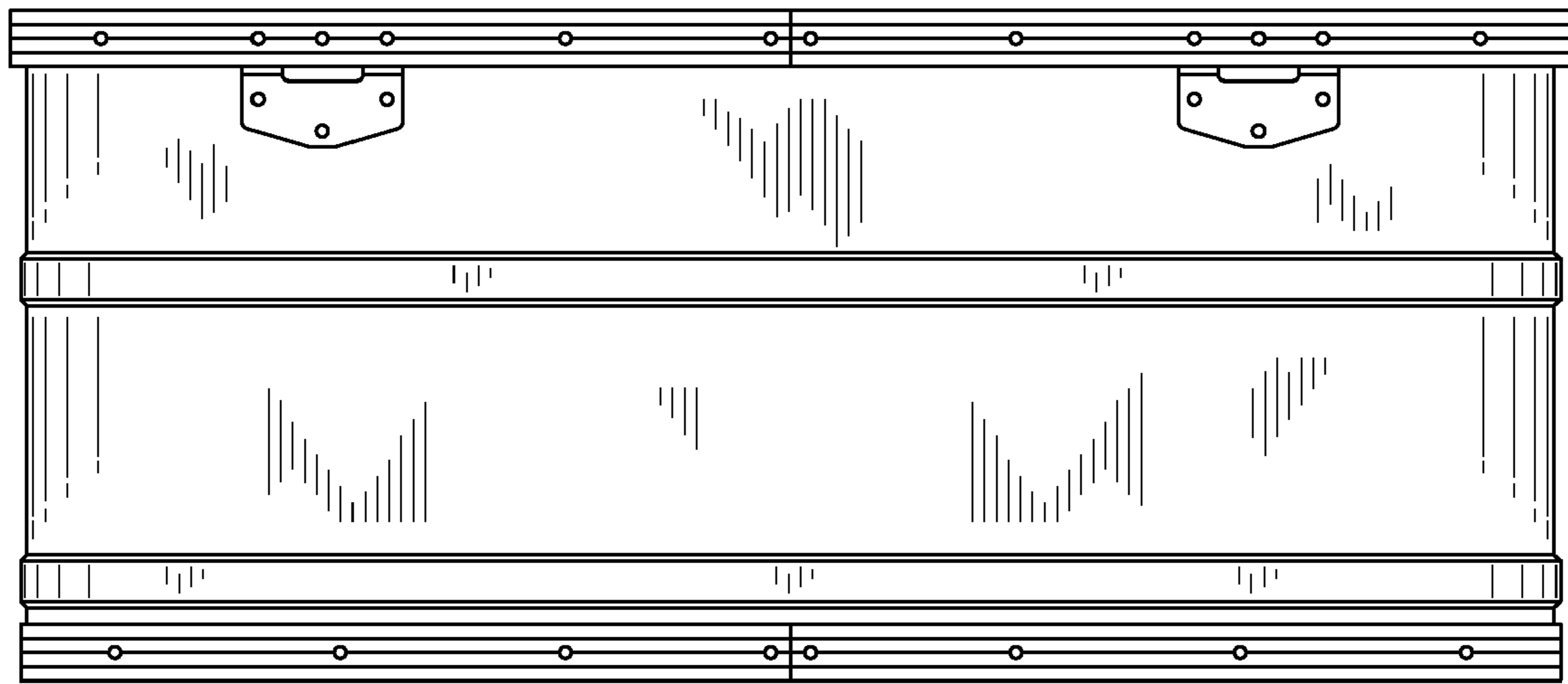


Fig. 3

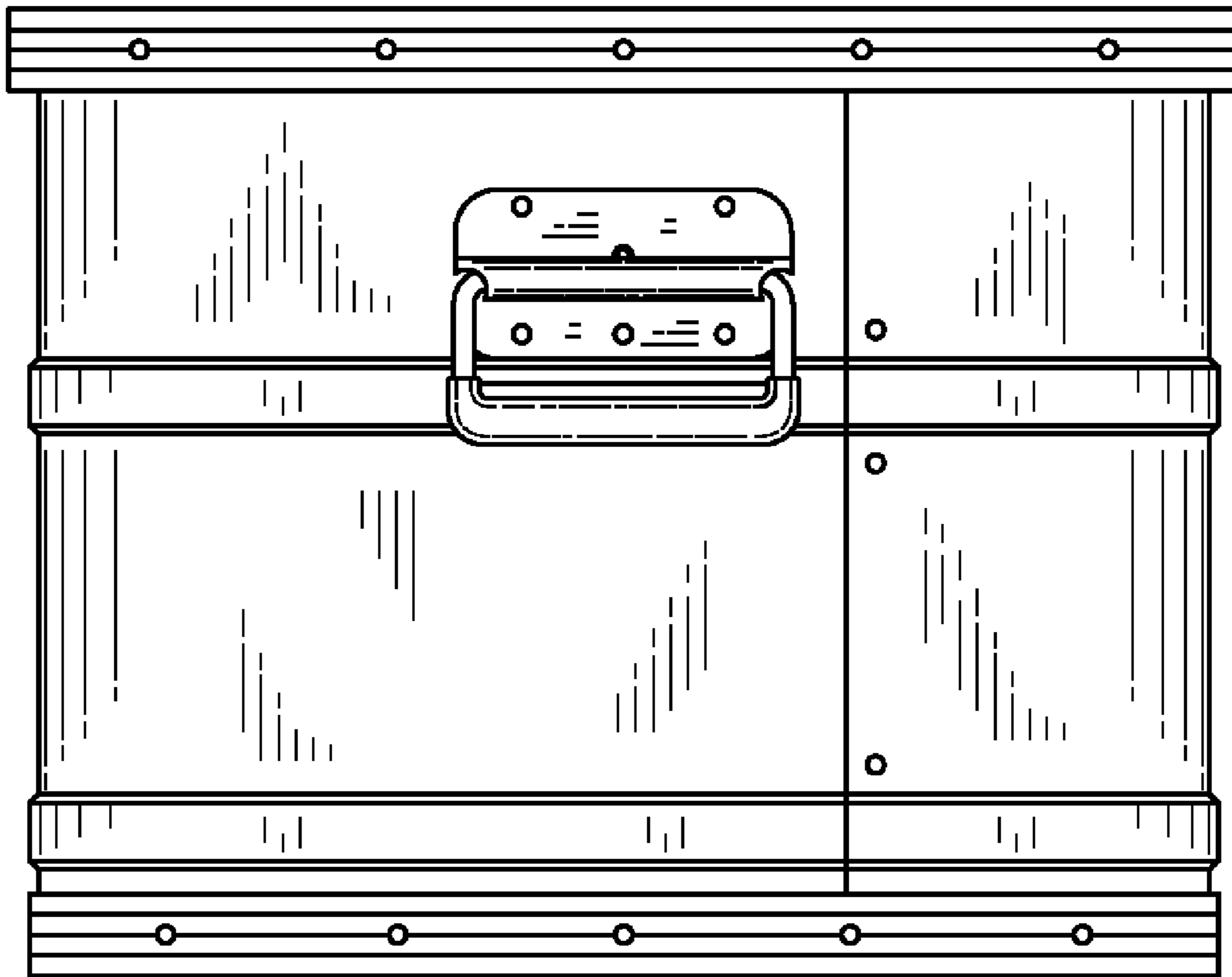


Fig. 4

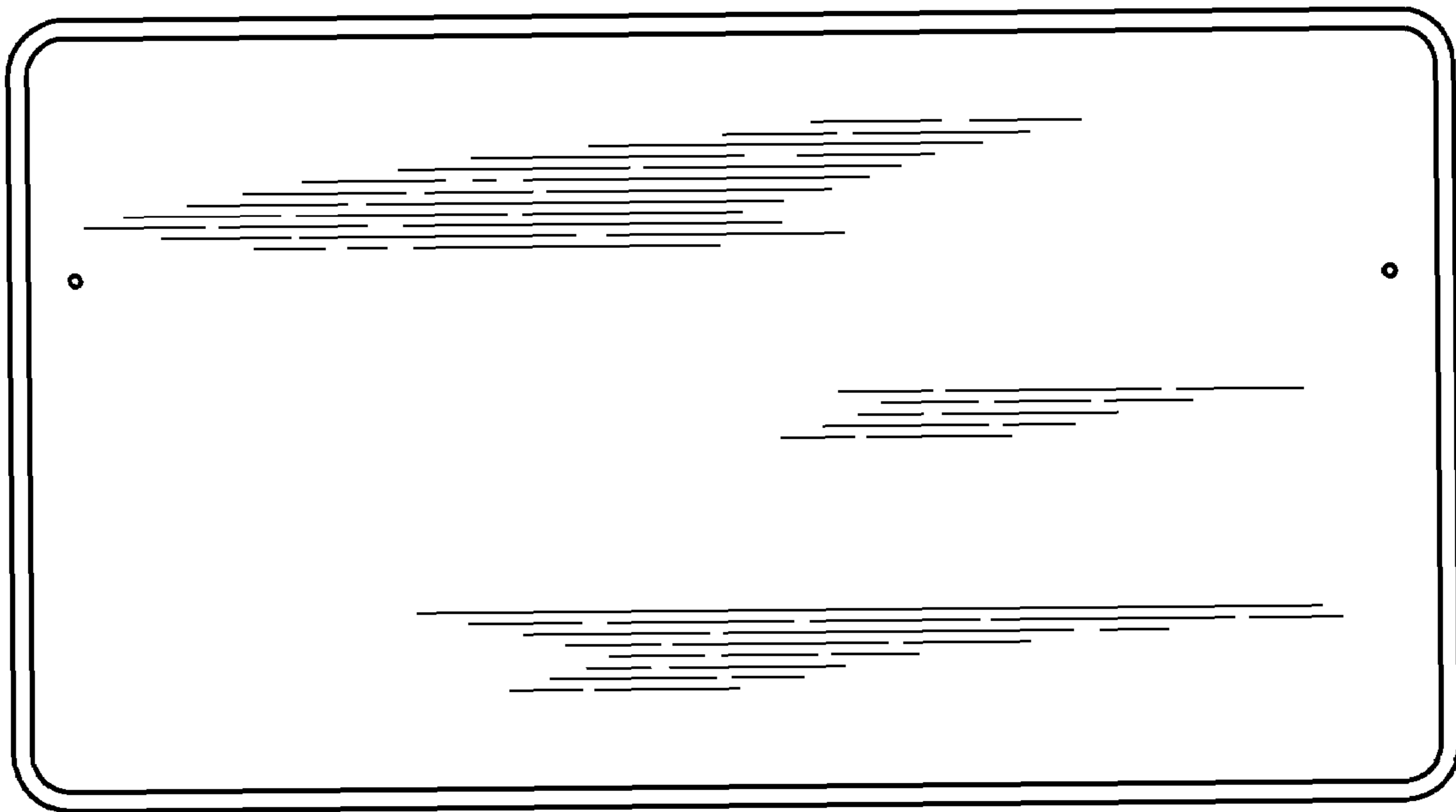


Fig. 5

UNITED STATES PATENT AND TRADEMARK OFFICE
CERTIFICATE OF CORRECTION

PATENT NO. : Des. 580,171 S
APPLICATION NO. : 29/296506
DATED : November 11, 2008
INVENTOR(S) : Xinyue Weng

Page 1 of 1

It is certified that error appears in the above-identified patent and that said Letters Patent is hereby corrected as shown below:

Title page

Item (73) Assignee: should read Ningbo Xinyue Artist Machinery Manufactures Co.,
Ltd. No. 7 S. Shunsun St., Jiangnan Village, Lubu
Town, Yuyao, Zhejiang (CN)

Signed and Sealed this

Seventh Day of April, 2009



JOHN DOLL

Acting Director of the United States Patent and Trademark Office