



US00D580170S

(12) **United States Design Patent**  
**Klotzman et al.**

(10) **Patent No.:** **US D580,170 S**  
(45) **Date of Patent:** **\*\* Nov. 11, 2008**

(54) **CONTAINER**

(76) Inventors: **Bruce A. Klotzman**, 409 Copperas Trail,  
Highland Village, TX (US) 75077;  
**Michelle S. Harris**, 402 Longfellow,  
Highland Village, TX (US) 75077

(\*\*) Term: **14 Years**

(21) Appl. No.: **29/302,461**

(22) Filed: **Jan. 17, 2008**

(51) **LOC (8) Cl.** ..... **03-01**

(52) **U.S. Cl.** ..... **D3/272; D3/302**

(58) **Field of Classification Search** ..... D3/272-273,  
D3/294-295, 302, 304, 314; D7/605; D9/430-432;  
D34/7; 206/503, 505, 508, 511  
See application file for complete search history.

(56) **References Cited**

**U.S. PATENT DOCUMENTS**

D239,507 S *	4/1976	Setrakian	.....	D3/272
D240,205 S *	6/1976	Visser et al.	.....	D3/302
3,987,829 A *	10/1976	Leone	.....	220/796
D248,015 S *	5/1978	Smith	.....	D9/425
D321,090 S *	10/1991	Dickinson	.....	D3/294
D321,091 S *	10/1991	Dickinson	.....	D3/294
D333,898 S *	3/1993	Schulze et al.	.....	D34/7
D376,259 S *	12/1996	Dickinson et al.	.....	D3/273

D413,439 S *	9/1999	Bell	.....	D3/272
D414,333 S *	9/1999	Barber et al.	.....	D3/272
D429,565 S *	8/2000	Aiken	.....	D3/302
D451,278 S *	12/2001	Cooper	.....	D3/294
6,367,630 B1 *	4/2002	Elskamp	.....	206/508
D537,630 S *	3/2007	Gibson	.....	D3/272
D565,297 S *	4/2008	Stevens et al.	.....	D3/272

\* cited by examiner

*Primary Examiner*—Philip S Hyder

*Assistant Examiner*—Roselynn Cody

(74) *Attorney, Agent, or Firm*—Hitchcock Evert LLP

(57) **CLAIM**

The ornamental design for a container, as shown and described.

**DESCRIPTION**

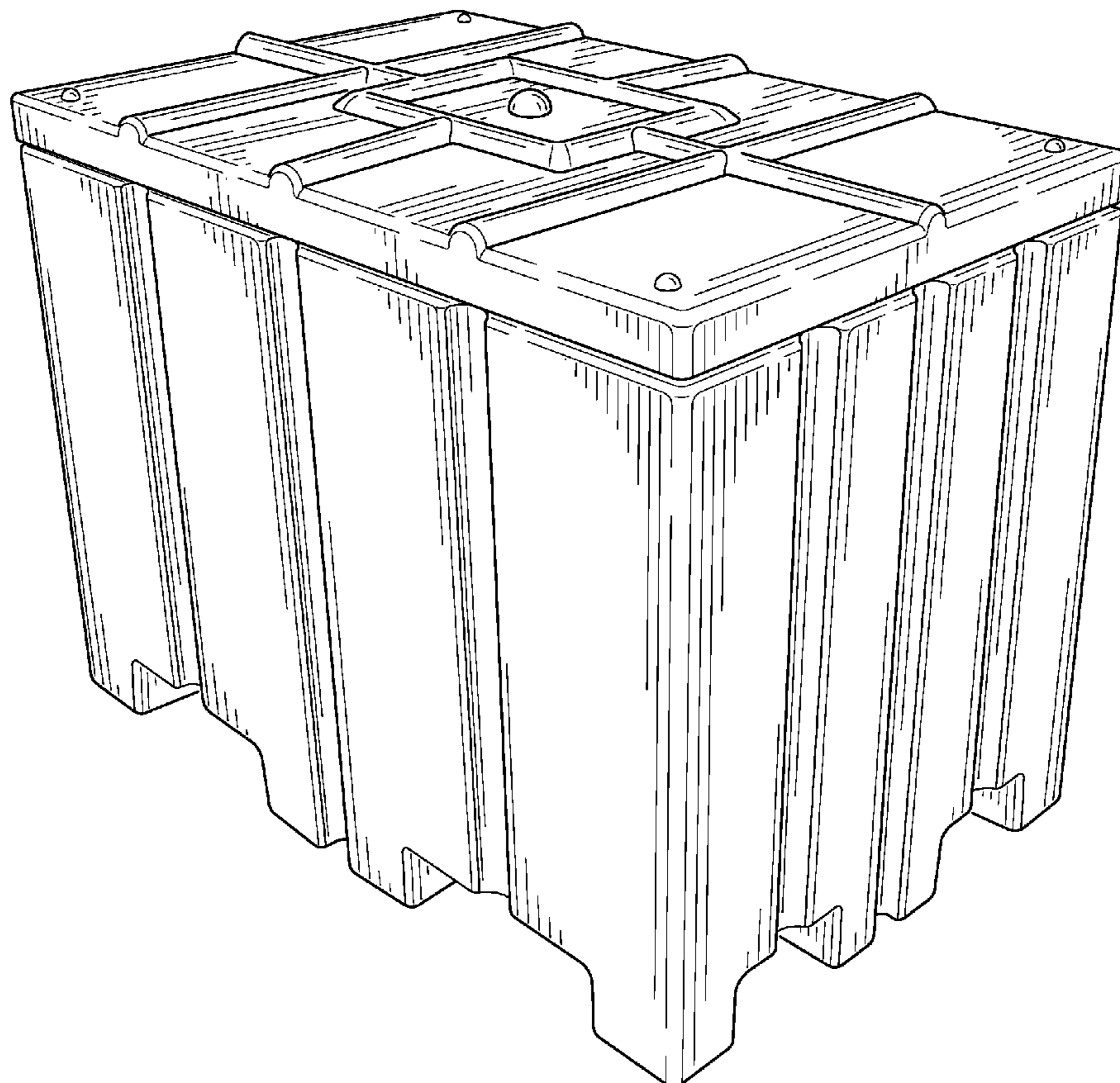
FIG. 1 is a perspective view of the container embodying the invention;

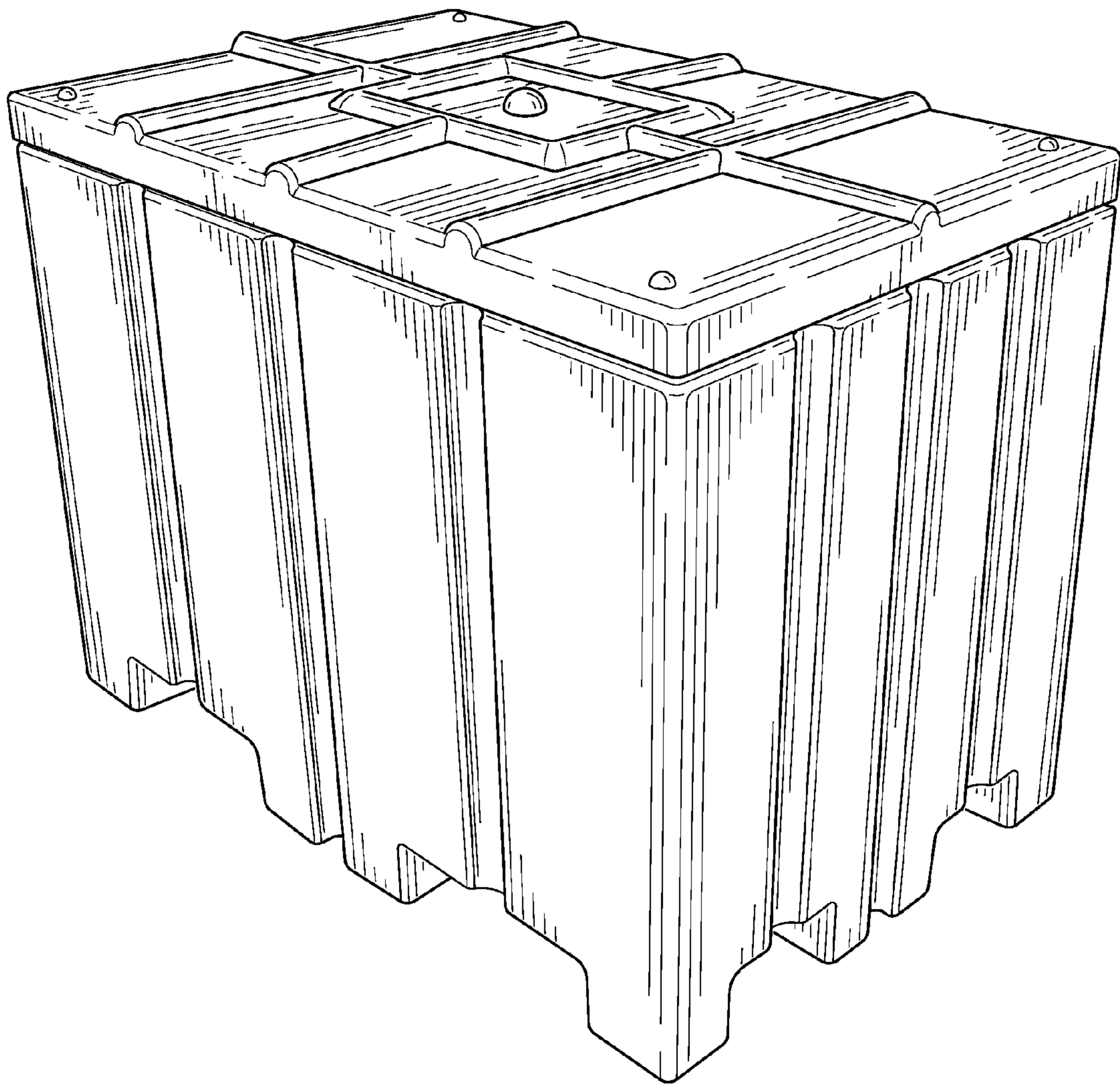
FIG. 2 is a side elevation of the container shown in FIG. 1. The other side is the mirror image of FIG. 2;

FIG. 3 is an end elevation of the container shown in FIG. 1. The other end is the mirror image of FIG. 3;

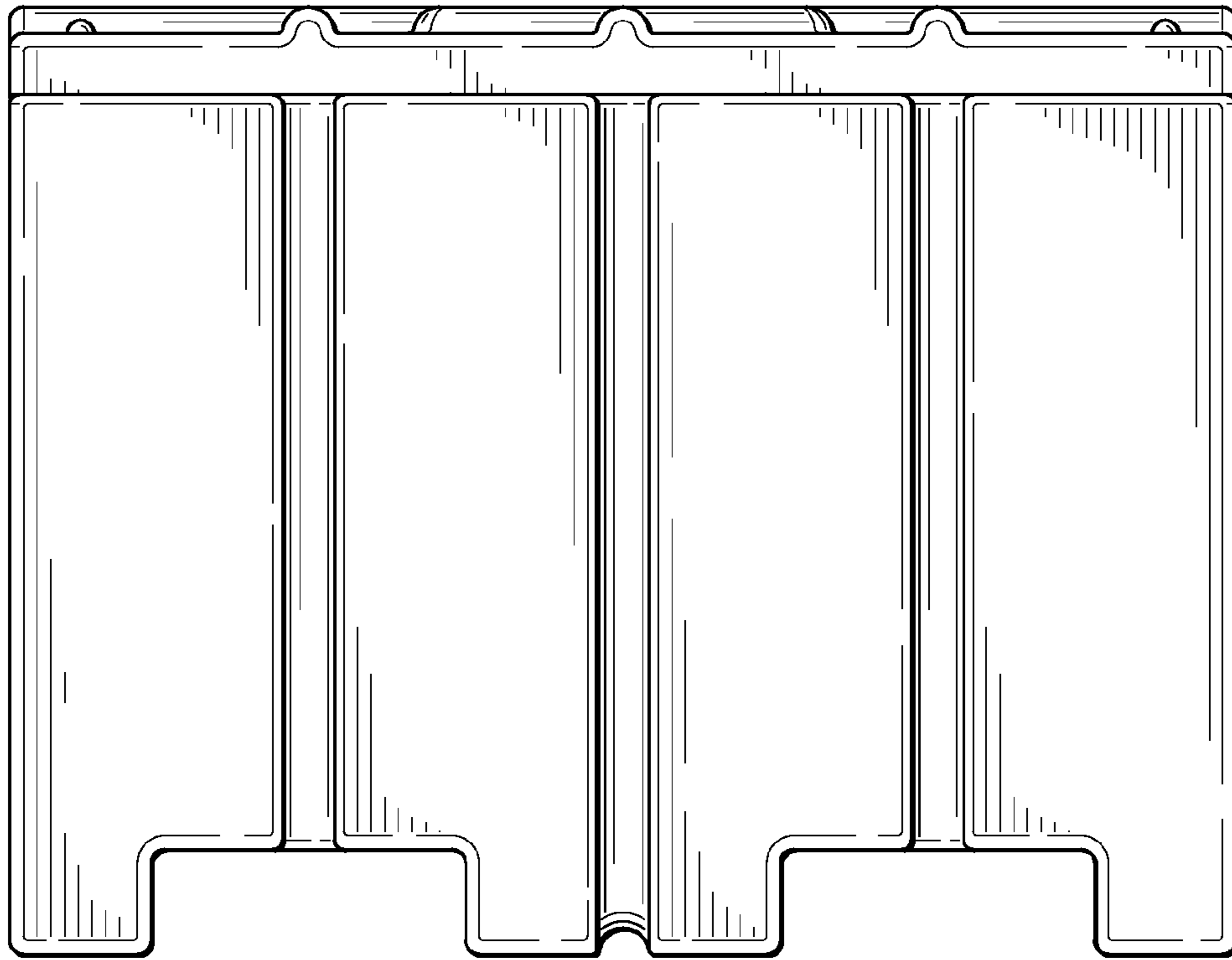
FIG. 4 is a top plan view of the container shown in FIG. 1; and,  
FIG. 5 is a bottom plan view of the container.

**1 Claim, 3 Drawing Sheets**

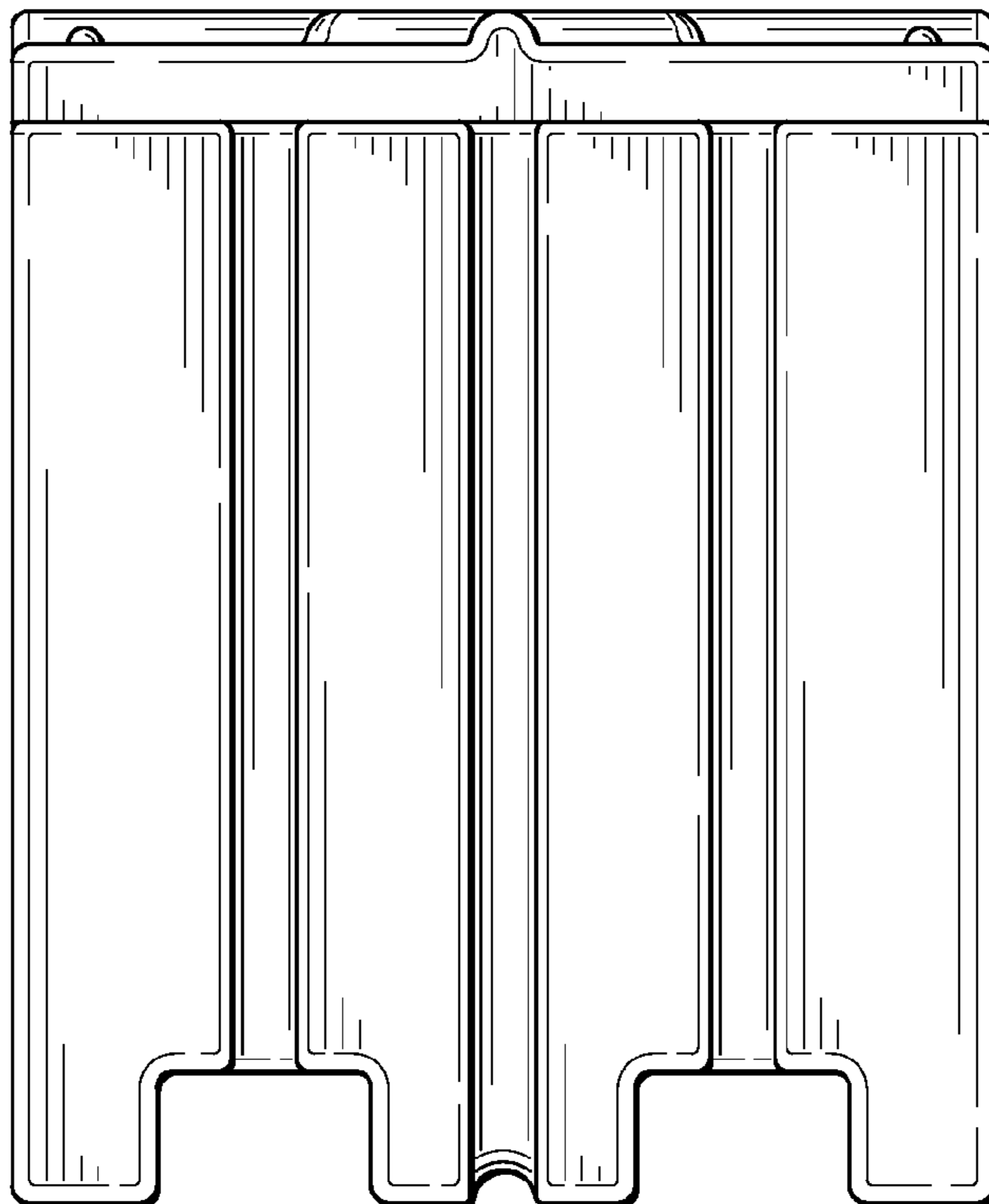




*FIG. 1*



*FIG. 2*



*FIG. 3*

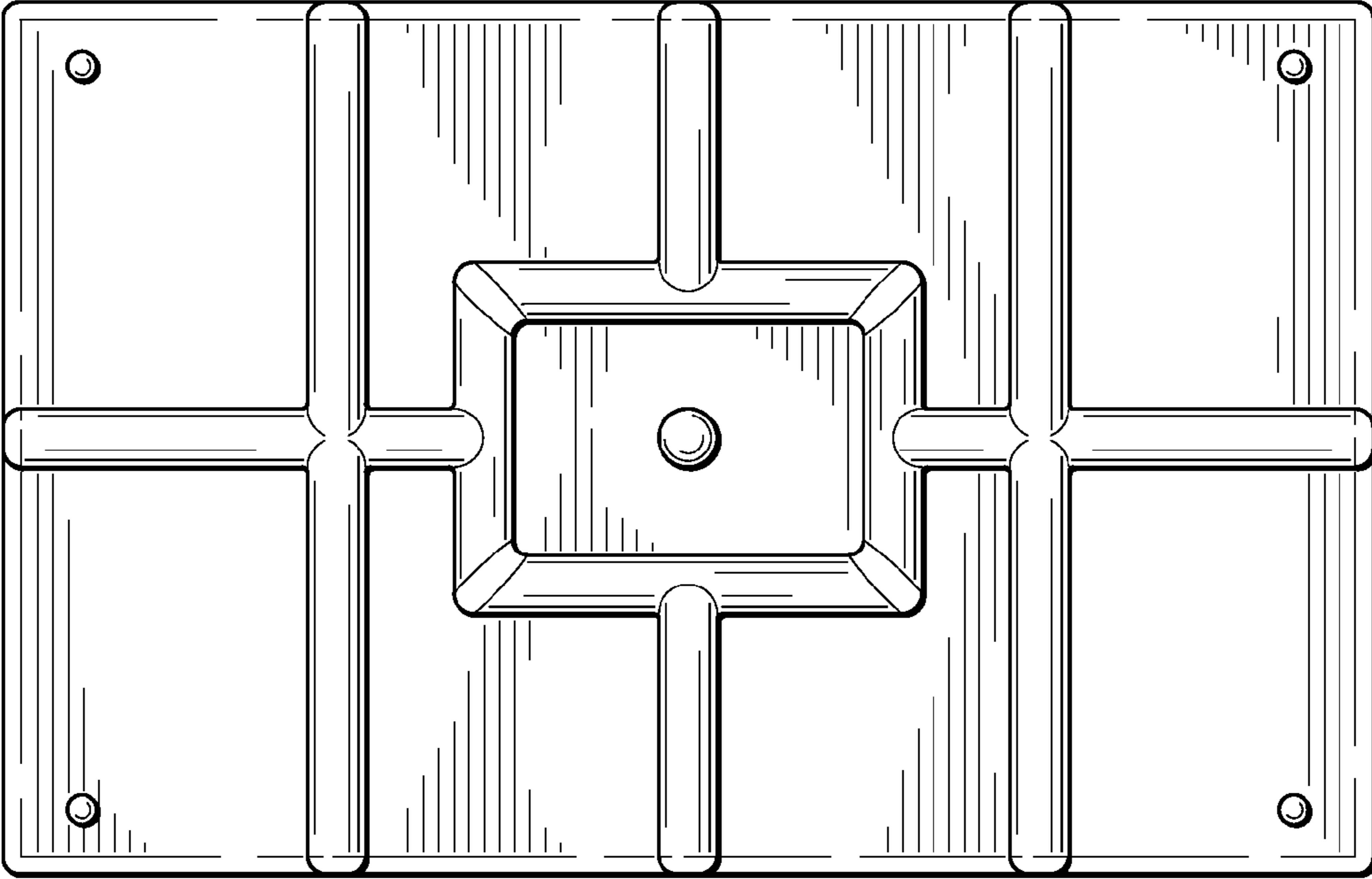


FIG. 4

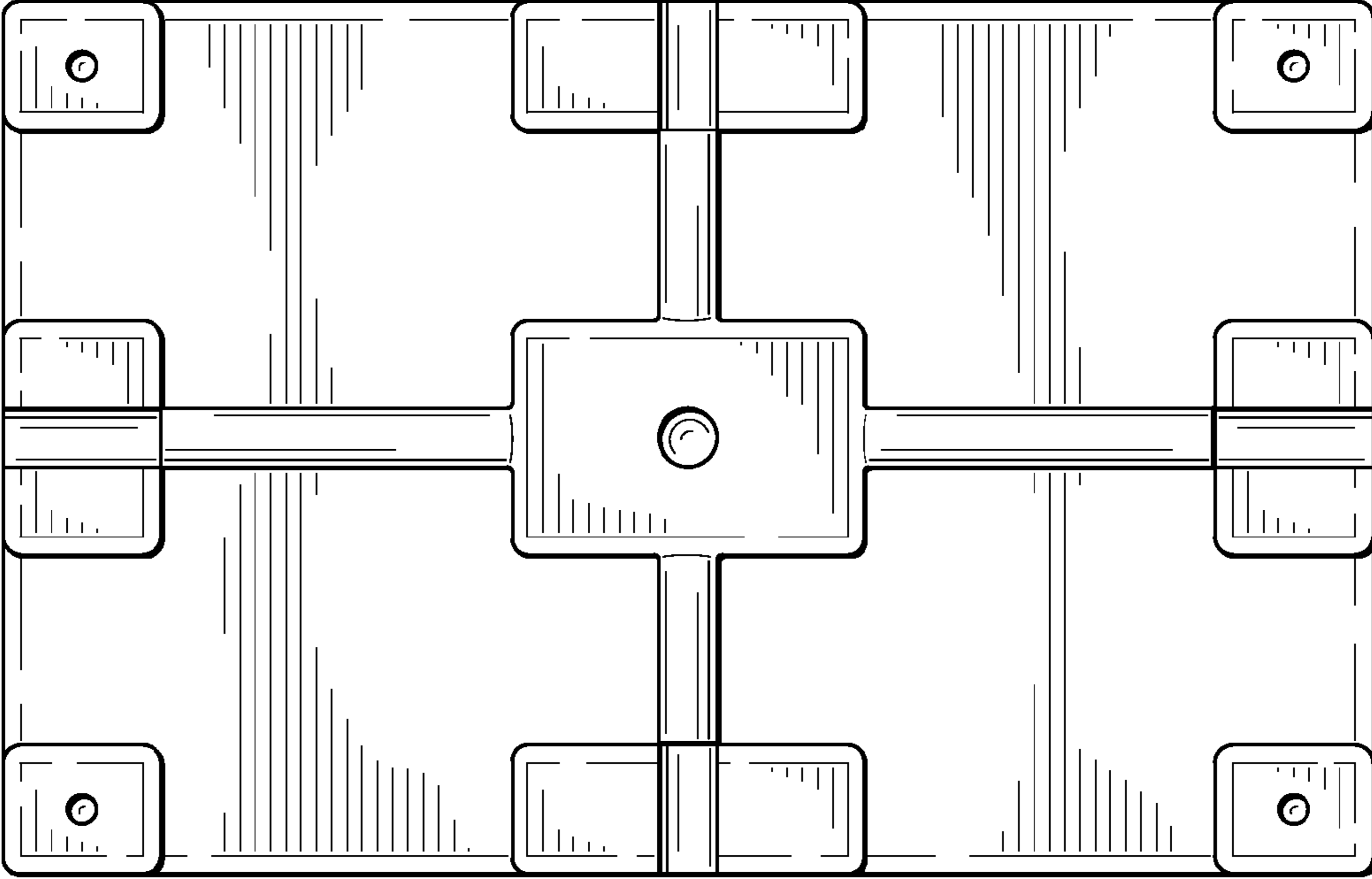


FIG. 5