



US00D580168S

(12) **United States Design Patent**
Whitaker

(10) **Patent No.:** **US D580,168 S**

(45) **Date of Patent:** **** Nov. 11, 2008**

(54) **TOOL BOX**

D515,314 S * 2/2006 Stantial D3/295

(75) Inventor: **John Whitaker**, Birmingham, AL (US)

(73) Assignee: **Whitaker & Company**, Duluth, GA (US)

(**) Term: **14 Years**

(21) Appl. No.: **29/283,100**

(22) Filed: **Aug. 6, 2007**

(51) **LOC (8) Cl.** **03-01**

(52) **U.S. Cl.** **D3/271.1; D3/297; D3/905**

(58) **Field of Classification Search** D3/270,
D3/271.1, 271.11, 273, 297, 298, 905; D6/432,
D6/434, 438-439, 445, 450, 470; 206/349,
206/372-373, 376-379; 312/204, 308, 351,
312/902

See application file for complete search history.

(56) **References Cited**

U.S. PATENT DOCUMENTS

- D259,413 S * 6/1981 Rehkopf D12/414.1
- D274,139 S * 6/1984 Suffern et al. D12/414.1
- D275,275 S * 8/1984 Stapp D12/414.1
- D317,720 S * 6/1991 Fielder D12/414.1
- D341,253 S * 11/1993 Ballman et al. D3/297
- D353,046 S * 12/1994 Whitaker D3/273
- 5,857,757 A * 1/1999 Bieker et al. 312/351.3
- D477,724 S * 7/2003 Bishop D6/434
- D481,223 S * 10/2003 Locker et al. D6/470

OTHER PUBLICATIONS

Go Boxes Chevy Bowtie Tool Box at http://www.northerntool.com/webapp/wcs/stores/servlet/product_6970_200355943... Downloaded Jun. 1, 2008.*

Go Boxes Chevy Bowtie Tool Box Model BT400 at http://www.northerntool.com/webapp/wcs/stores/servlet/product_6970_200355942... Downloaded Jun. 1, 2008.*

* cited by examiner

Primary Examiner—T. Chase Nelson

Assistant Examiner—Roselyne Cody

(74) *Attorney, Agent, or Firm*—Smith, Gambrell & Russell

(57) **CLAIM**

The ornamental design for a tool box, as shown and described.

DESCRIPTION

FIG. 1 is a front perspective view of my tool box, with the drawers closed, and with a conventional tool box shown in phantom supporting my tool box;

FIG. 2. is a plan view of the tool box;

FIG. 3 is a front elevation view of the tool box;

FIG. 4 is a side elevation view of a first end of the tool box;

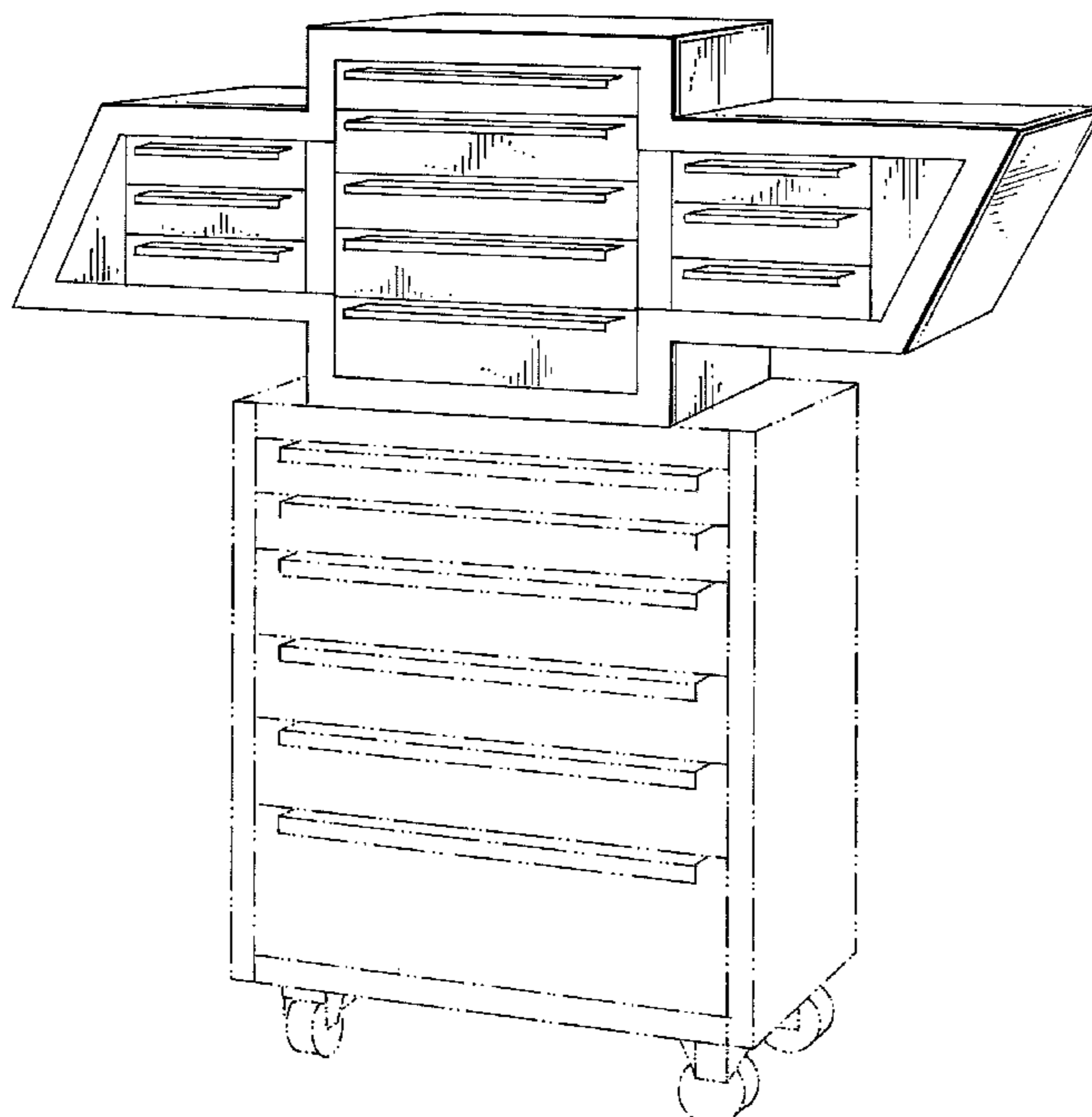
FIG. 5 is a bottom view of the tool box;

FIG. 6 is a rear elevation view of the tool box; and,

FIG. 7 is a side elevation view of the opposite end of said tool box.

The phantom lines shown in FIG. 1 are directed to environment and are for illustrative purposes only, forming no part of the claimed design.

1 Claim, 3 Drawing Sheets



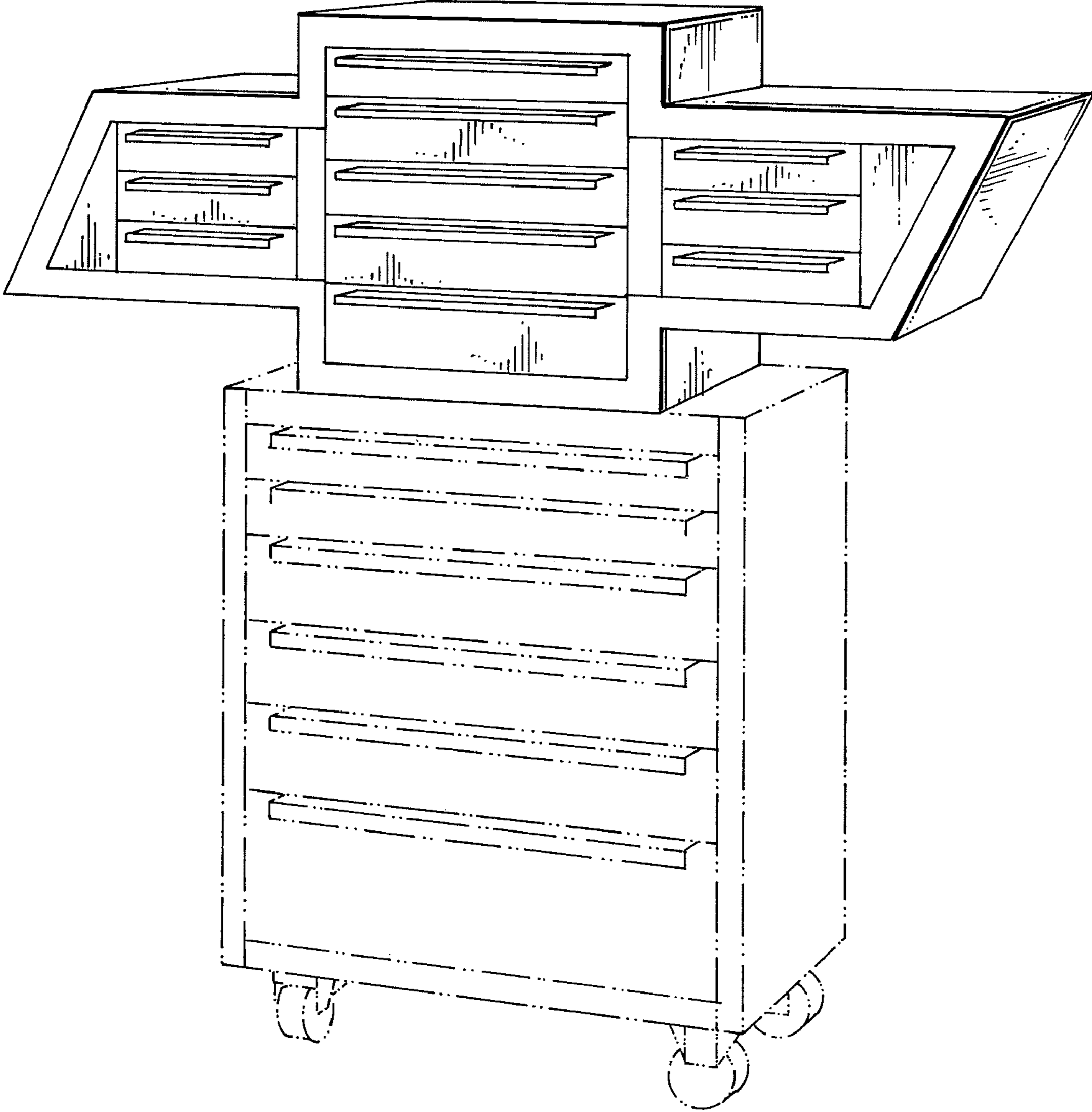


Fig. 1

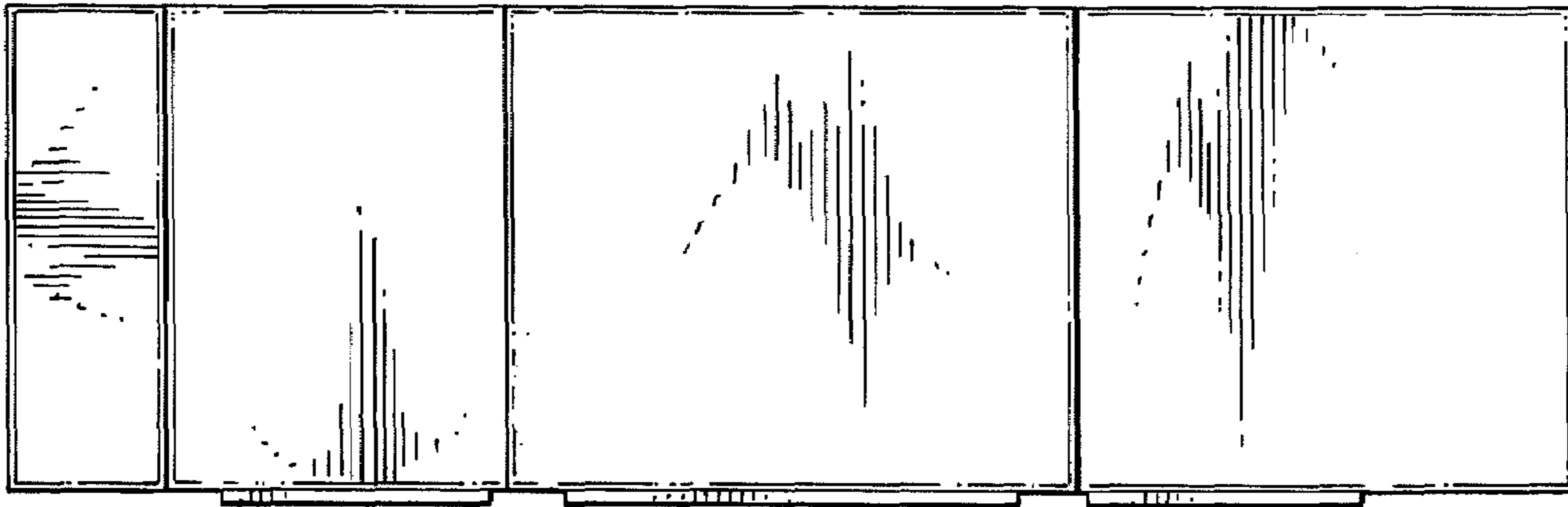


Fig. 2

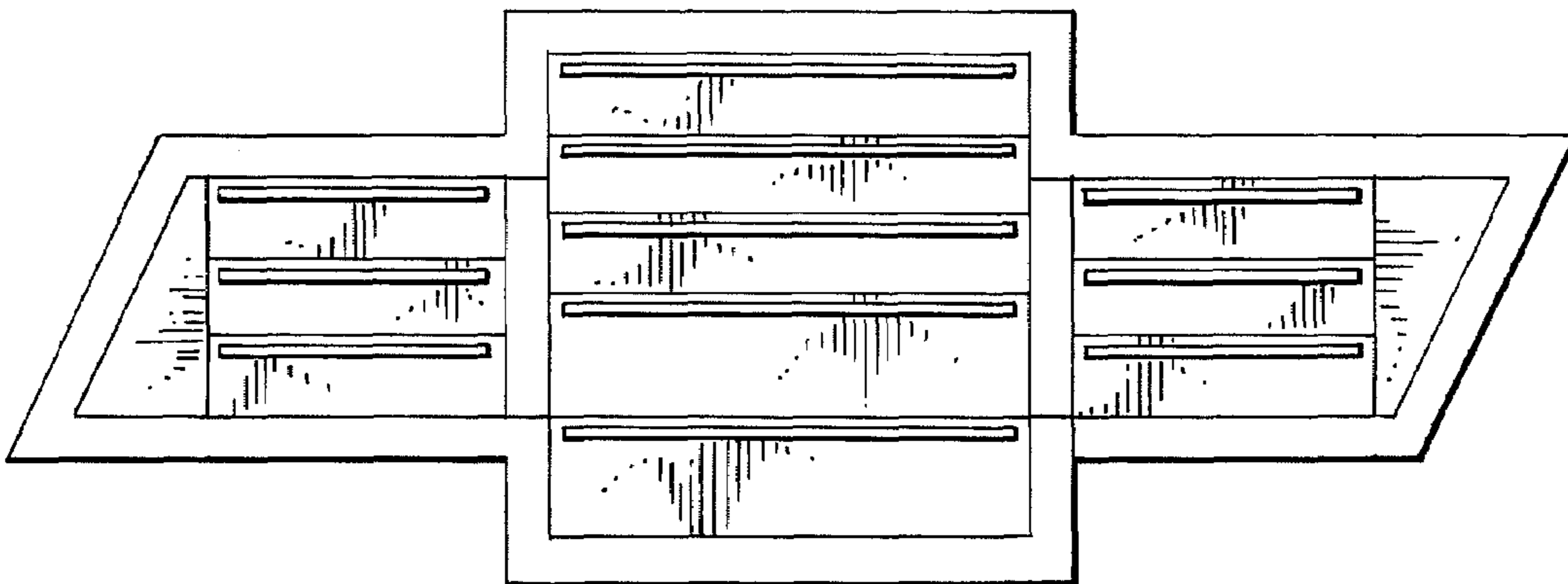


Fig. 3

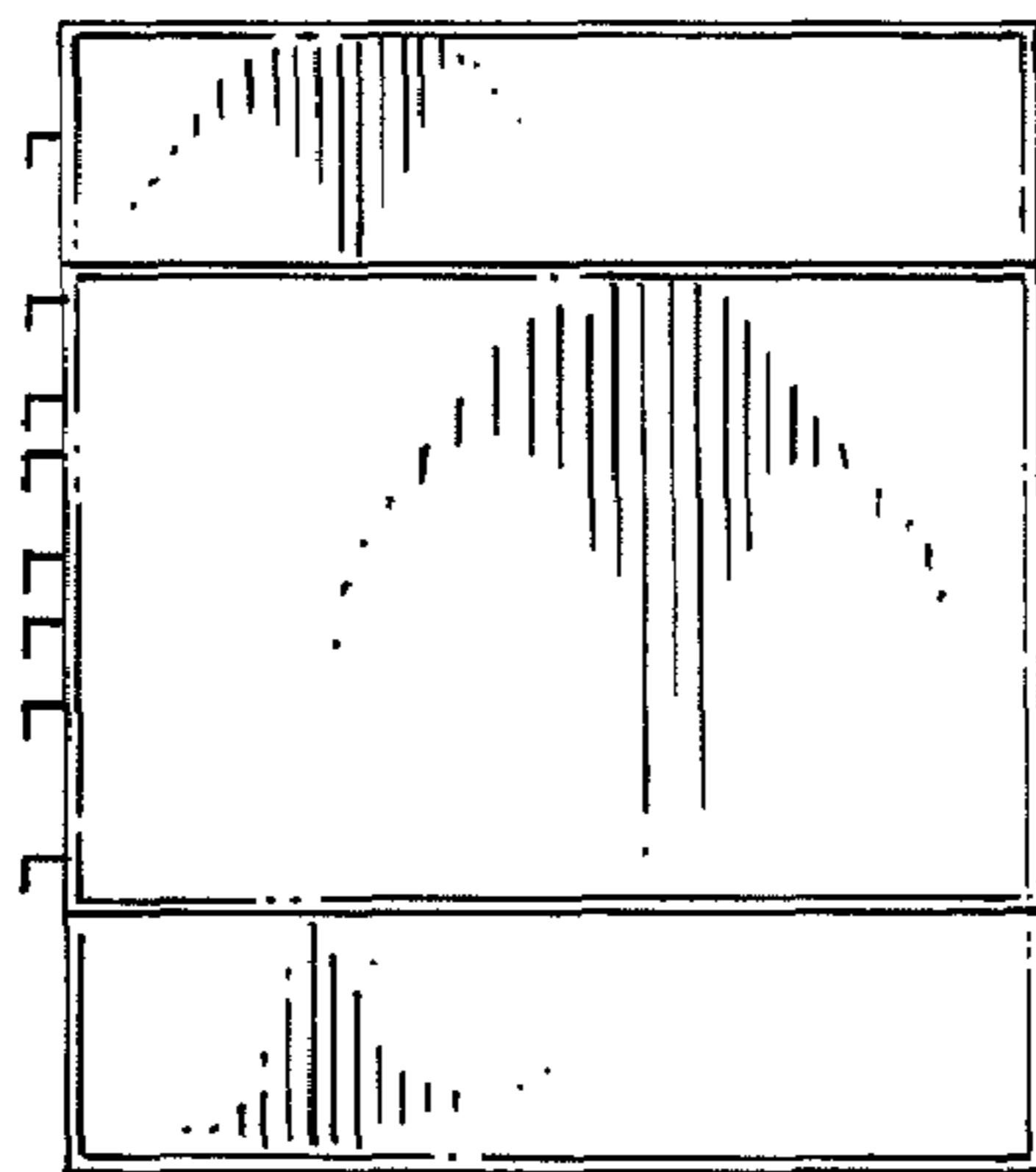


Fig. 4

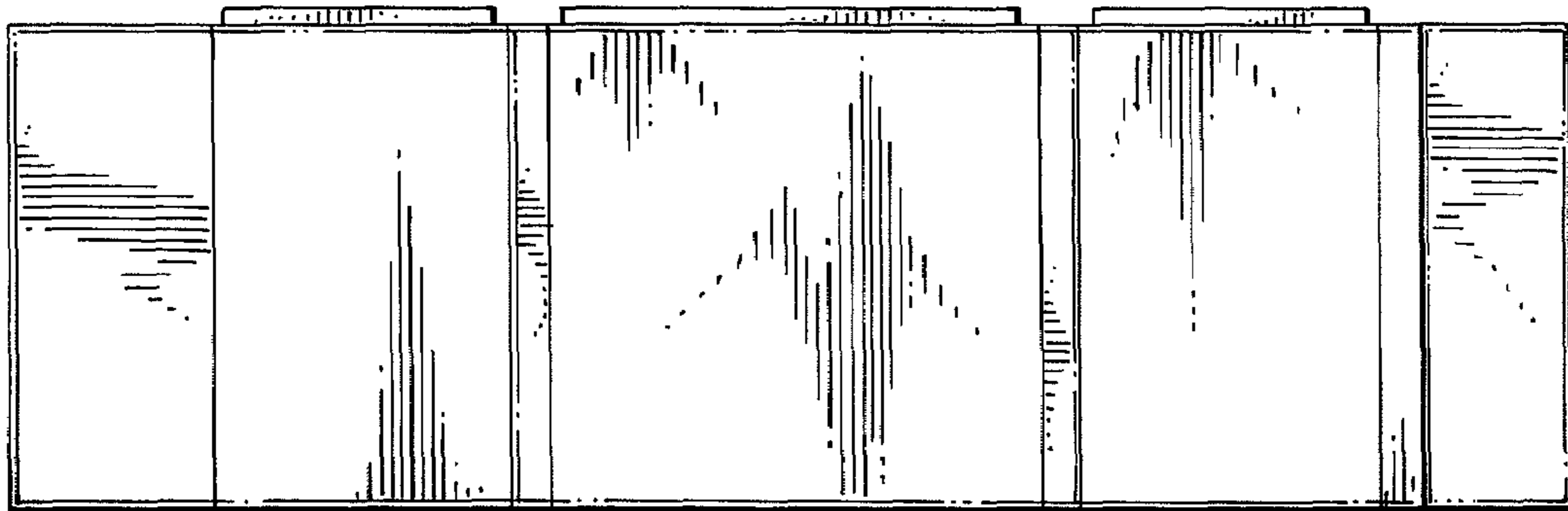


Fig. 5

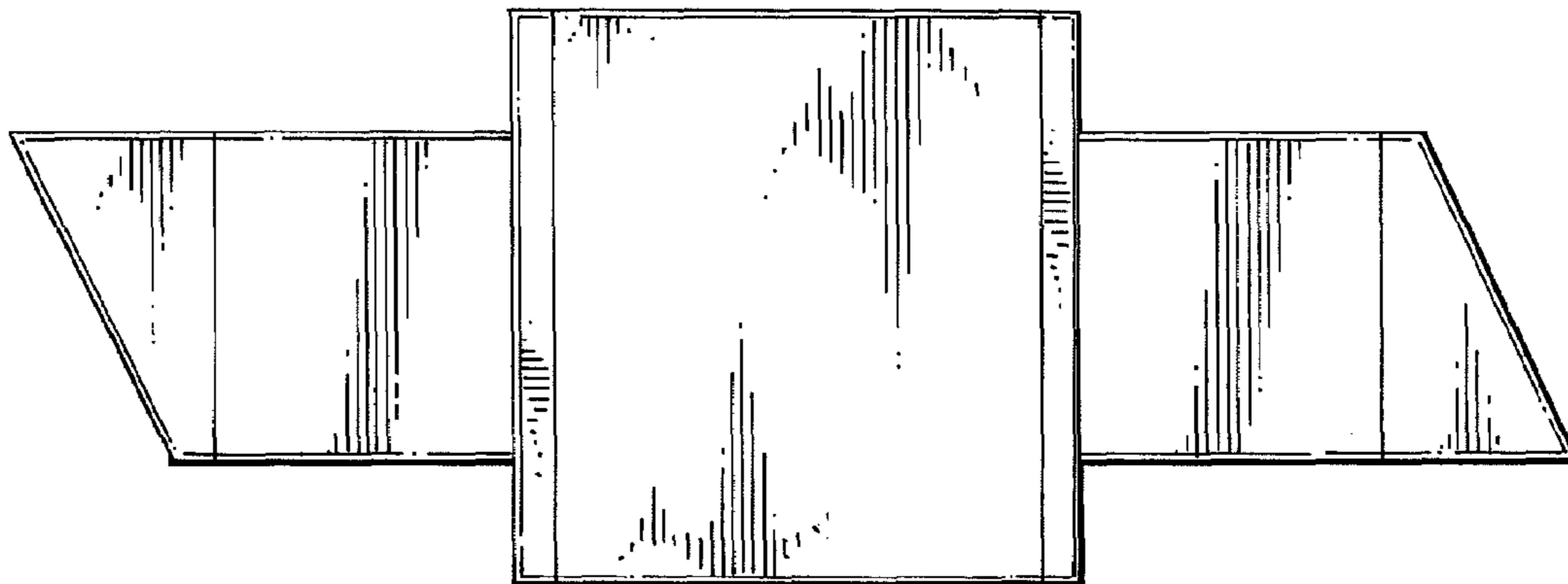


Fig. 6

Fig. 7

