



US00D580161S

(12) **United States Design Patent**  
**Jones**

(10) **Patent No.:** **US D580,161 S**  
(45) **Date of Patent:** **\*\* Nov. 11, 2008**

(54) **CLOTH ACCESSORY WITH CLOSABLE FLAP**

*Primary Examiner*—Catherine R Oliver  
(74) *Attorney, Agent, or Firm*—Thorpe North & Western LLP

(75) Inventor: **Darren Jones**, American Fork, UT (US)

(57) **CLAIM**

(73) Assignee: **Alpine Innovations, LLC**, American Fork, UT (US)

What is claimed is the ornamental design for a cloth accessory with a closable flap, as shown and described.

(\*\*) Term: **14 Years**

**DESCRIPTION**

(21) Appl. No.: **29/288,401**

FIG. 1 is a bottom left perspective view of the invention with a flap portion closed;

(22) Filed: **Jun. 8, 2007**

FIG. 2 is a bottom left perspective view of the invention with a flap portion open;

(51) **LOC (8) Cl.** ..... **03-01**

FIG. 3 is a front view thereof;

(52) **U.S. Cl.** ..... **D3/226; D6/608**

FIG. 4 is a rear view thereof;

(58) **Field of Classification Search** ..... D3/226,  
D3/215, 221, 201, 274, 278, 287, 233; D6/595–569,  
D6/601–602, 608, 606, 512; 15/214, 208,  
15/209.1; 206/37, 361; 224/251, 274; 5/417,  
5/419; 428/36.1, 99–100, 124, 126, 131  
See application file for complete search history.

FIG. 5 is a right side view thereof;

FIG. 6 is a bottom view thereof with a flap portion closed;

FIG. 7 is a bottom view thereof with a flap portion open;

FIG. 8 is a top view thereof with a flap portion closed;

FIG. 9 is a top view thereof with a flap portion open; and,

FIG. 10 is a bottom left perspective view of the invention with a flap portion open showing a cloth attached to the interior thereof extending out of the opening.

The phantom or broken line showing is for illustrative purposes only and forms no part of the claimed design.

The right and left sides of the device are mirror images of one another.

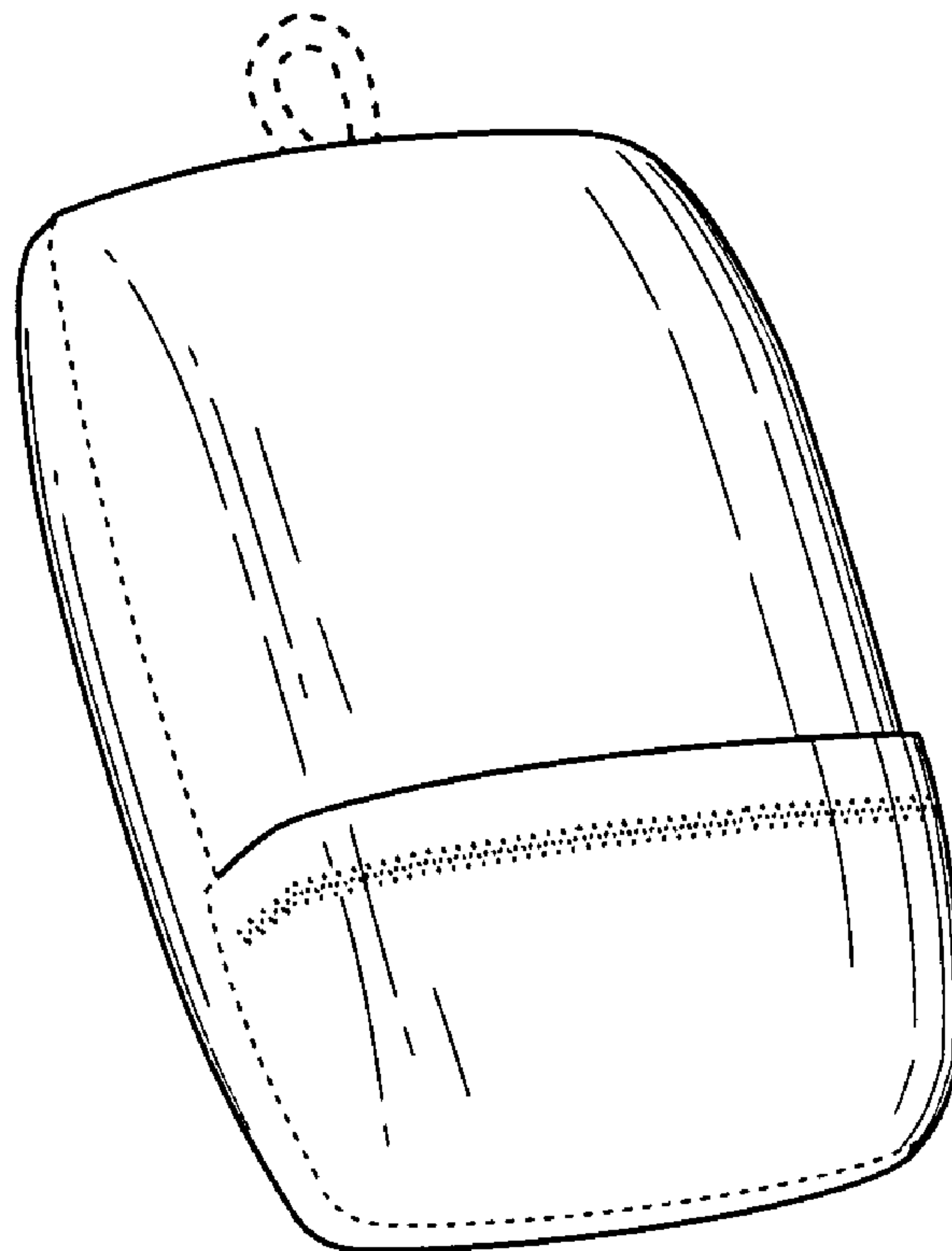
(56) **References Cited**

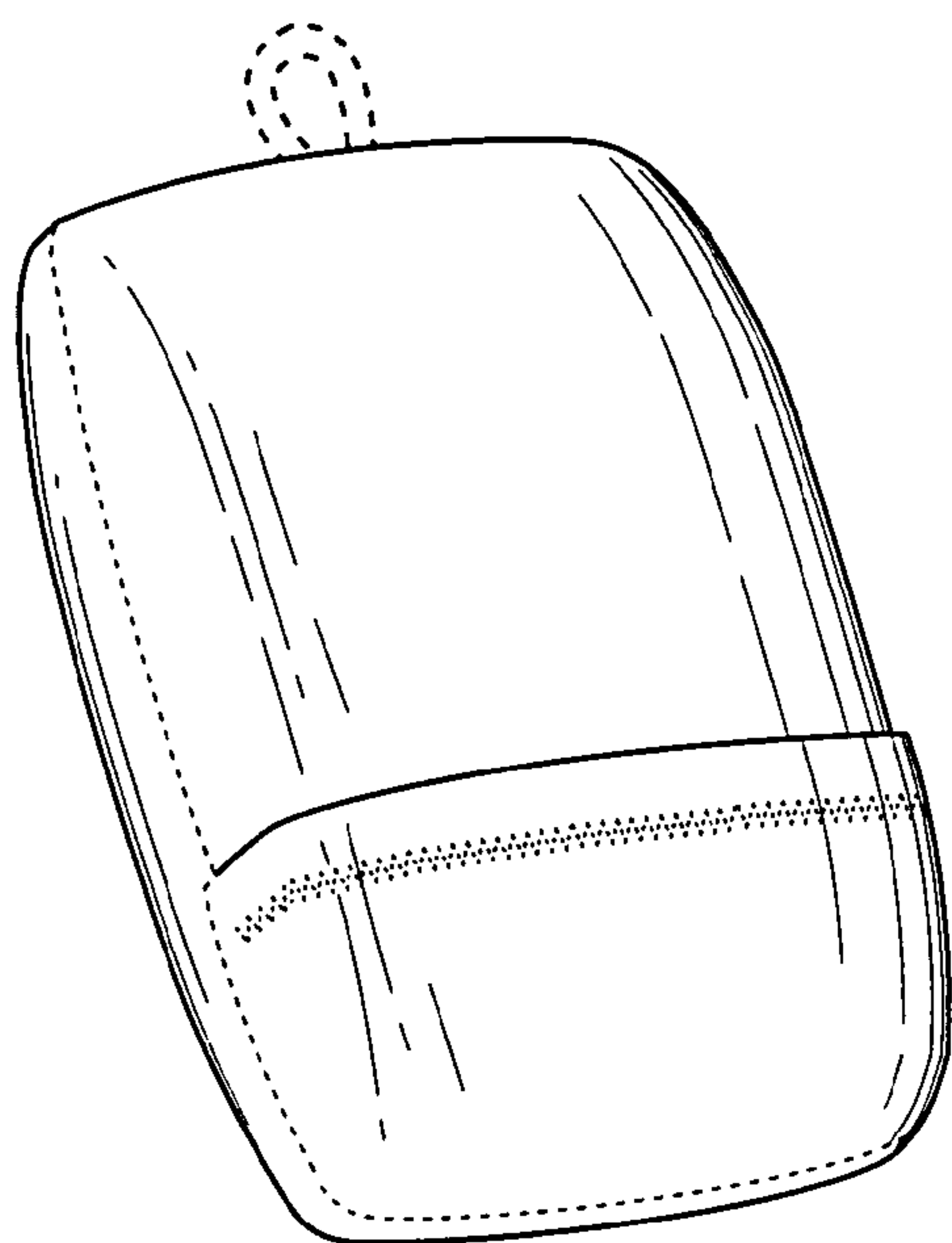
U.S. PATENT DOCUMENTS

D378,483	S	*	3/1997	Kiefer	.....	D6/608
5,770,284	A	*	6/1998	Logemann	.....	428/36.1
D490,660	S	*	6/2004	Laird	.....	D3/226
D562,928	S	*	2/2008	Burns et al.	.....	D3/221
D569,673	S	*	5/2008	Gostt et al.	.....	D6/608

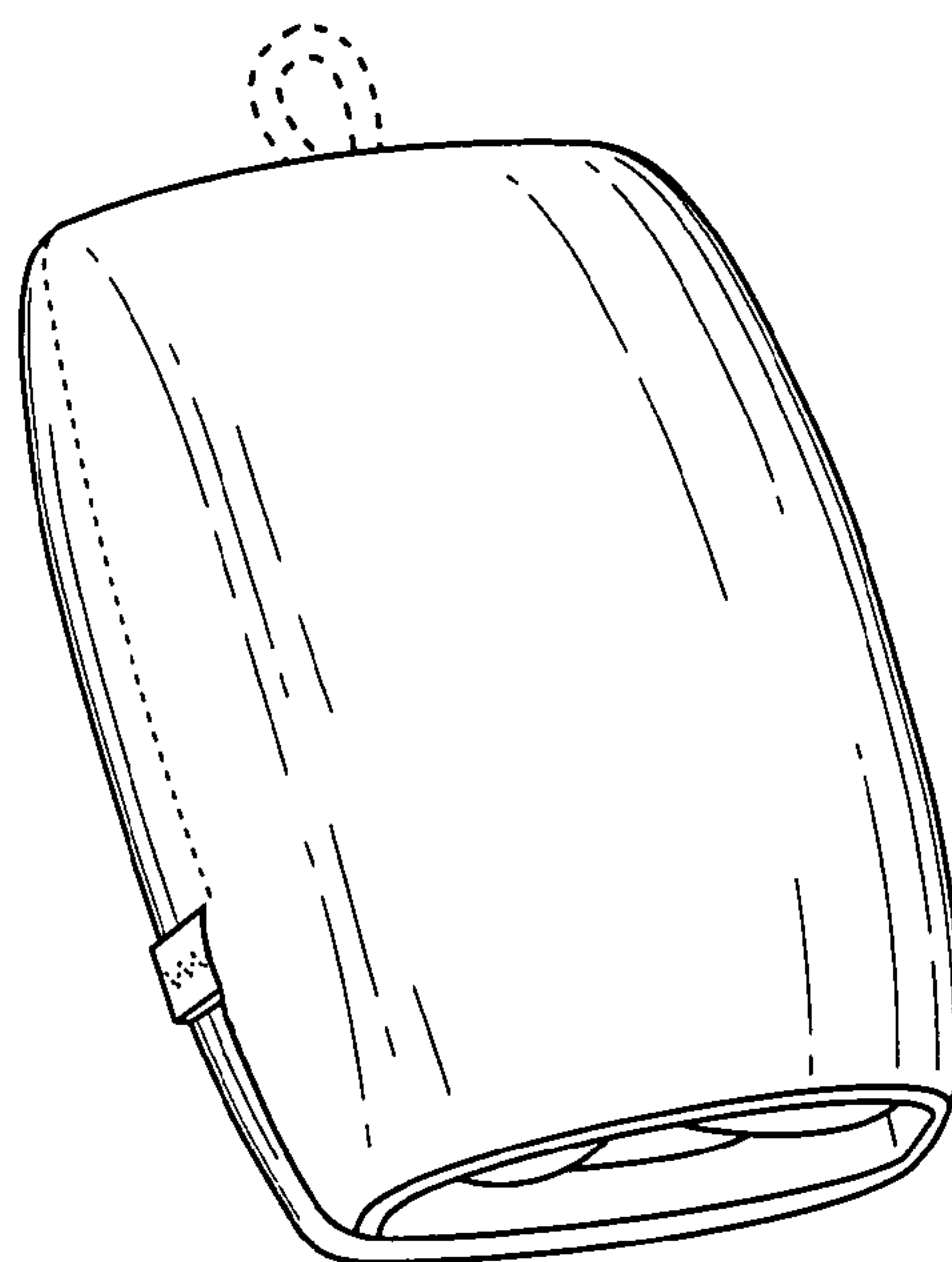
\* cited by examiner

**1 Claim, 4 Drawing Sheets**

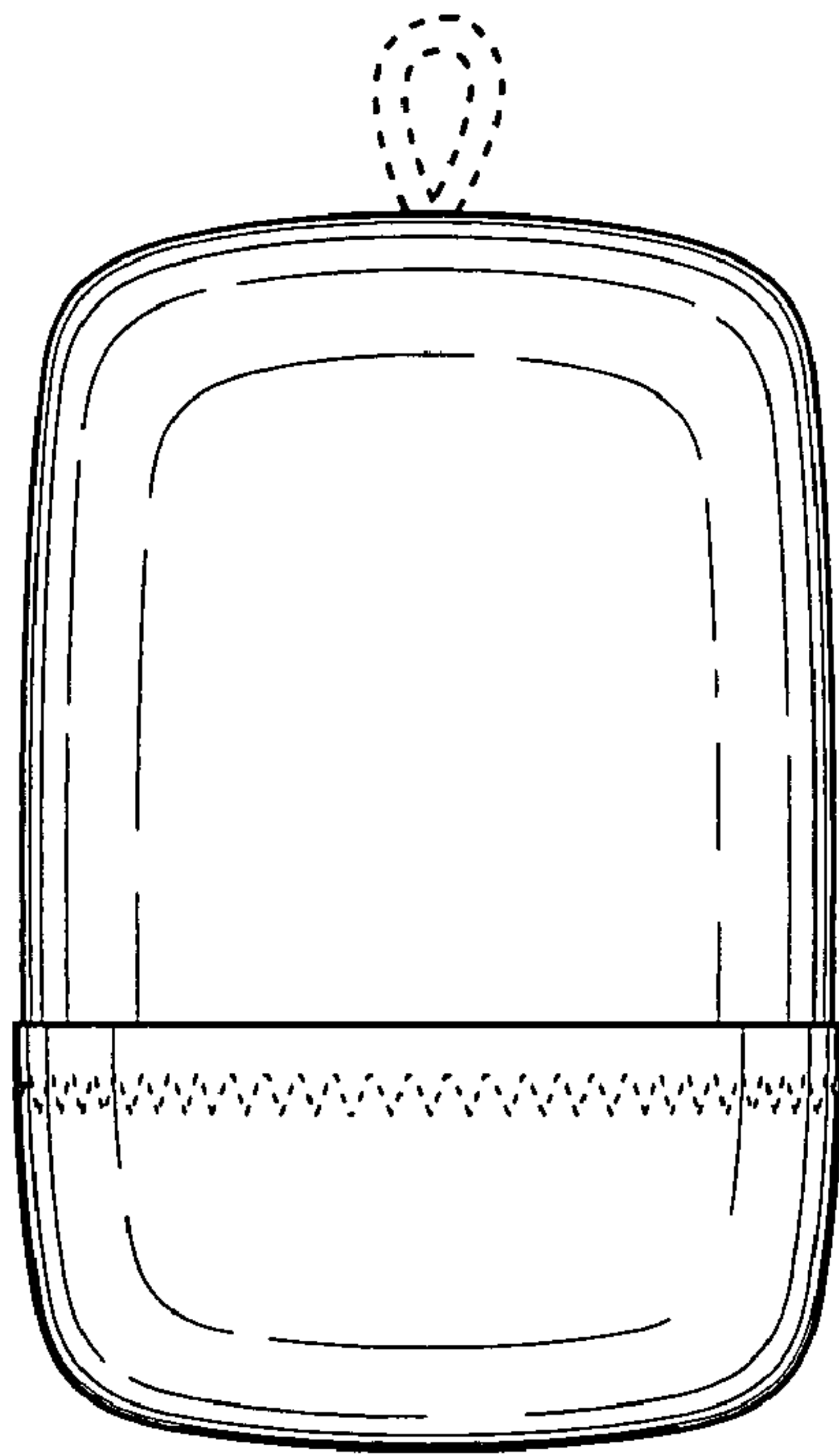




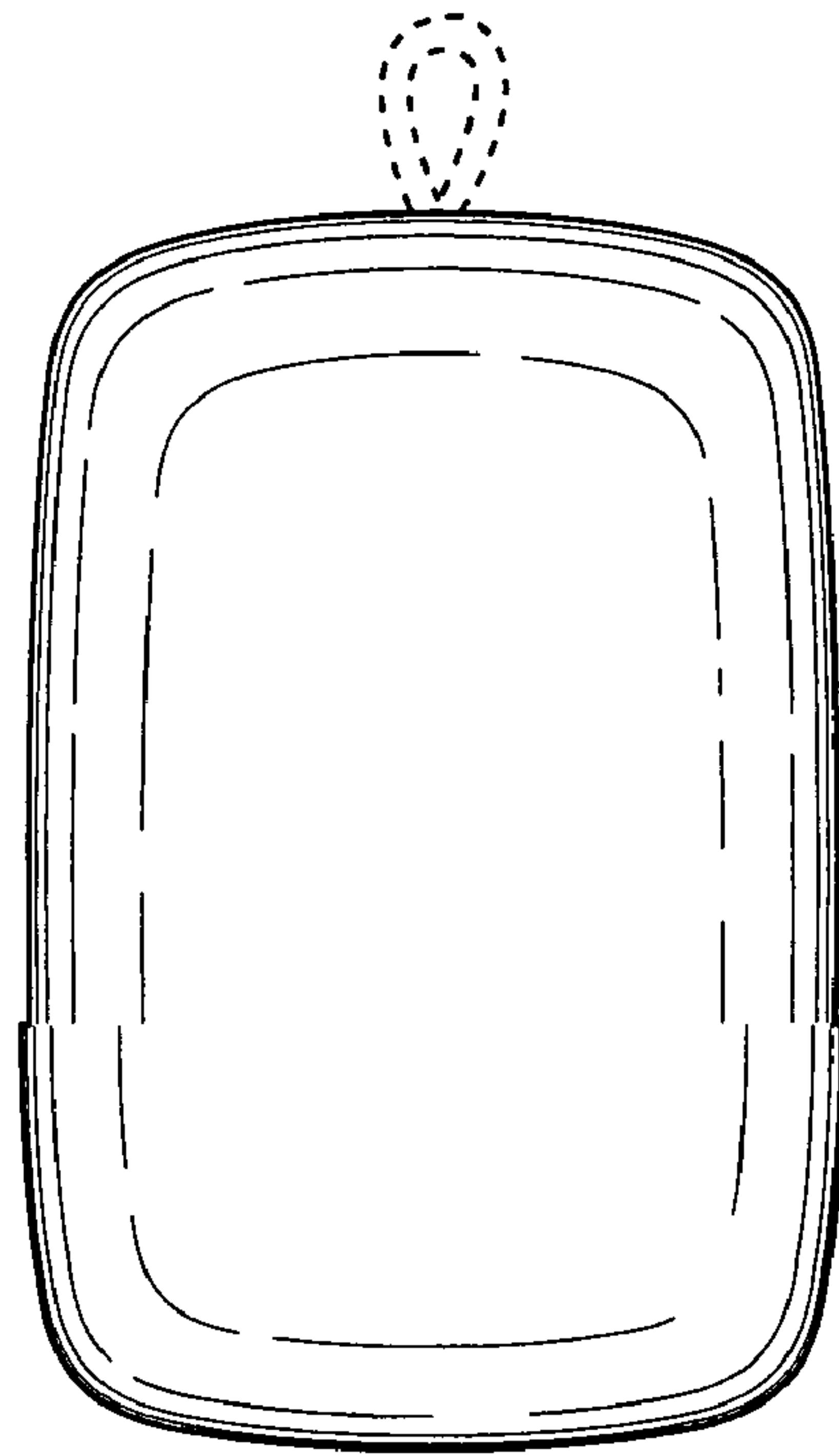
***Fig. 1***



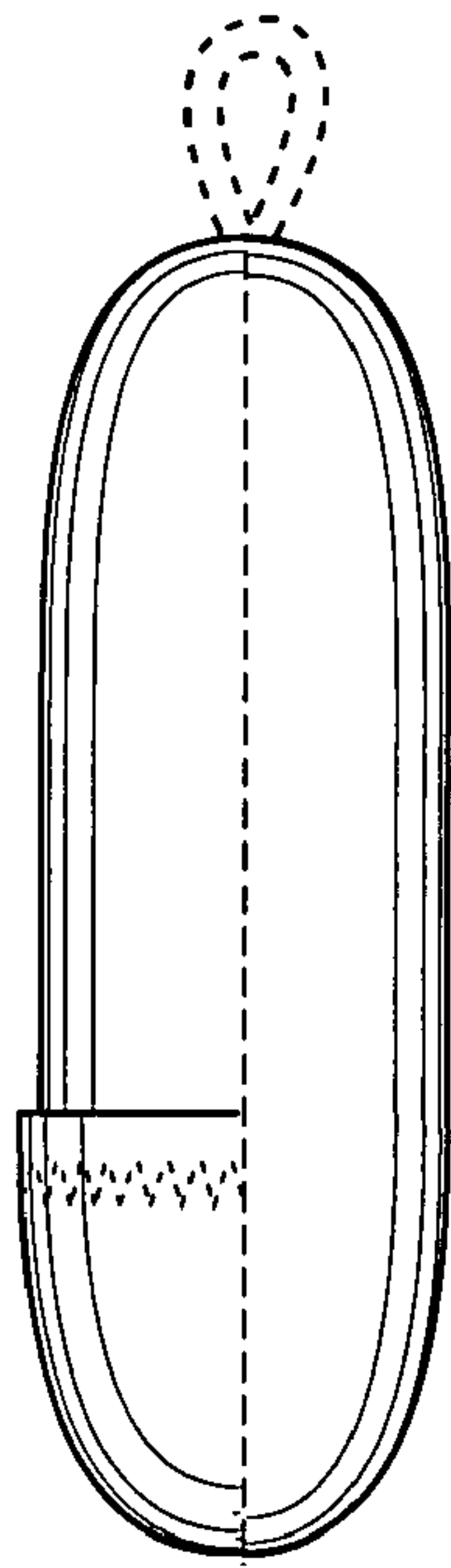
***Fig. 2***



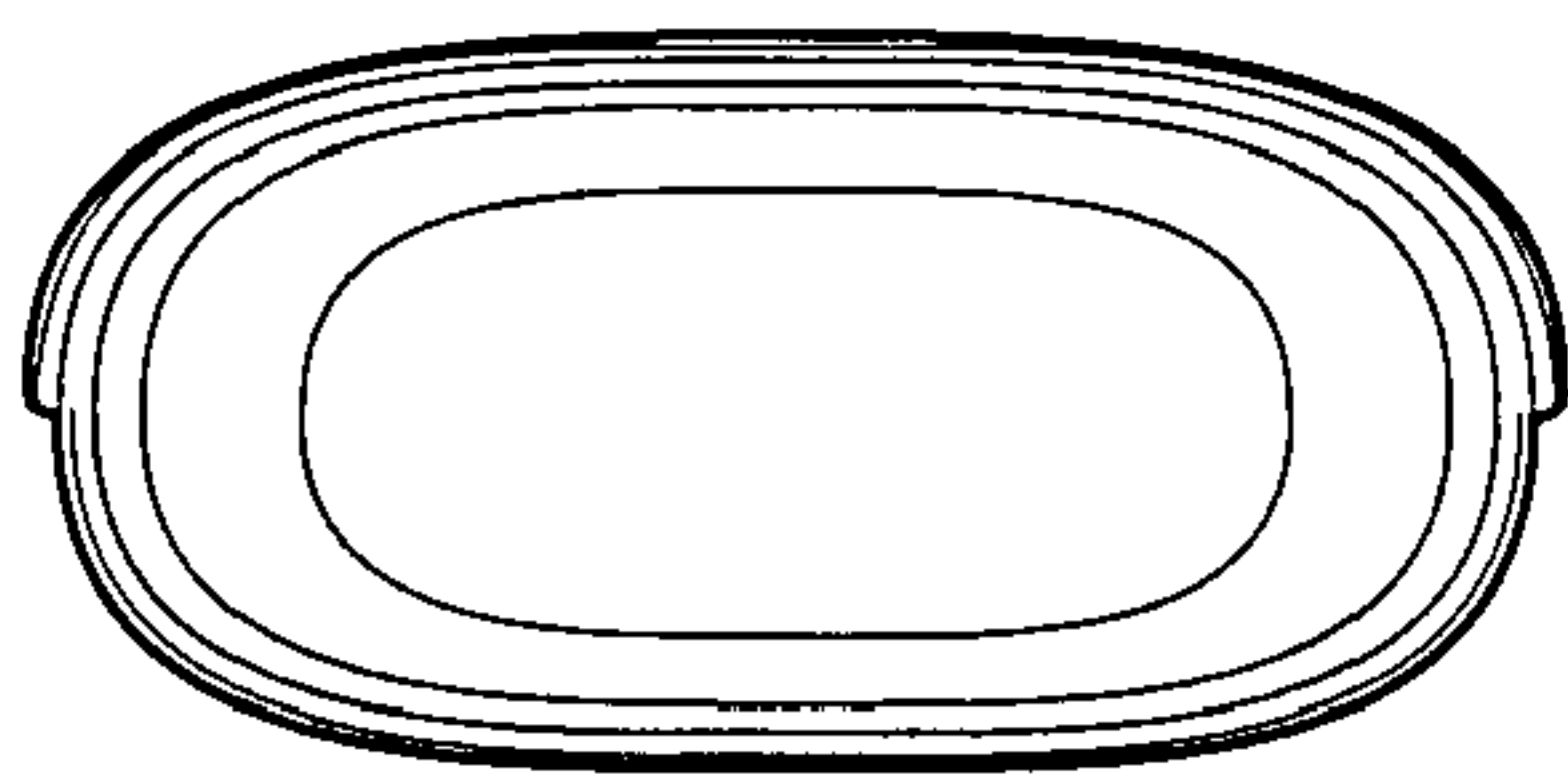
**Fig. 3**



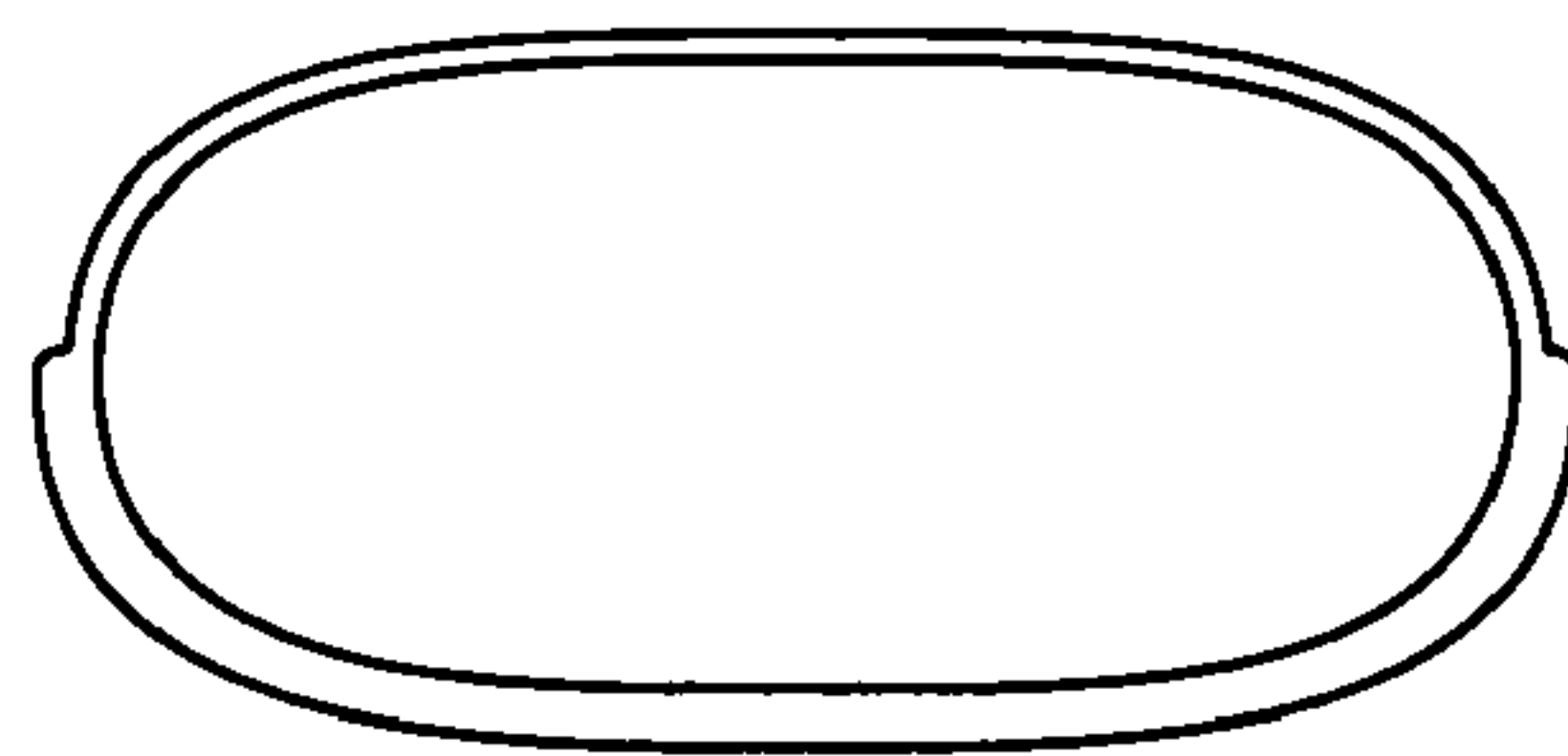
**Fig. 4**



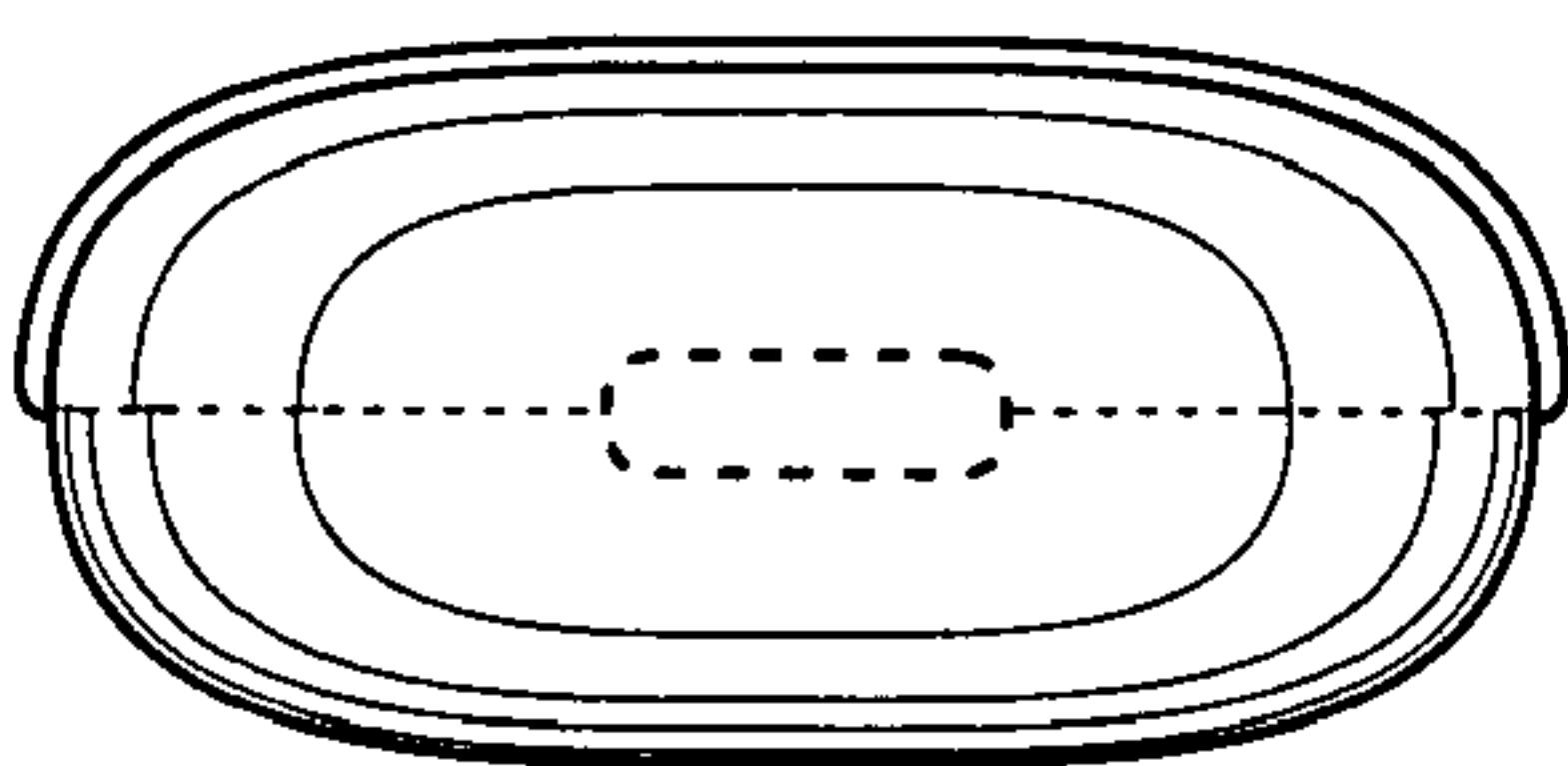
**Fig. 5**



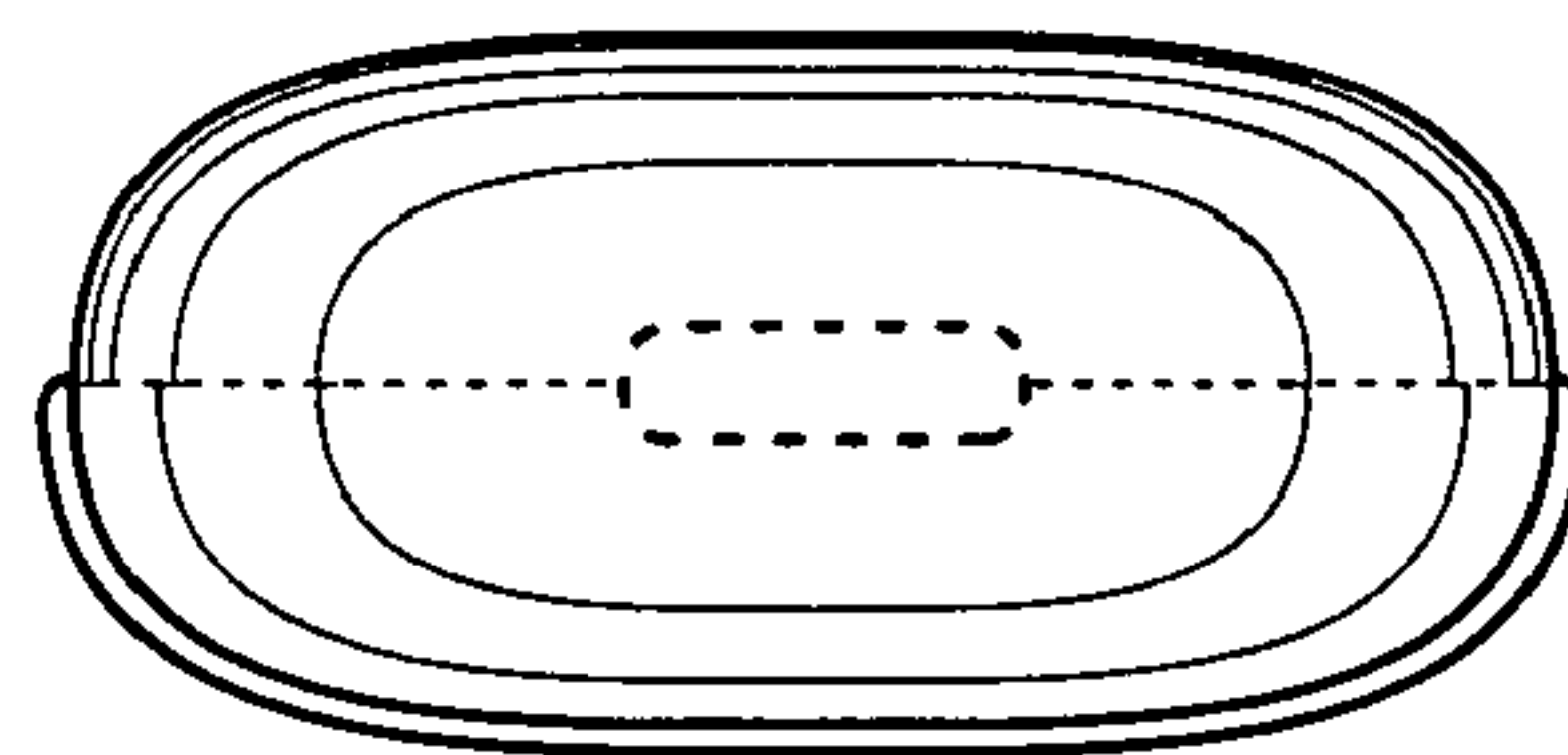
**Fig. 6**



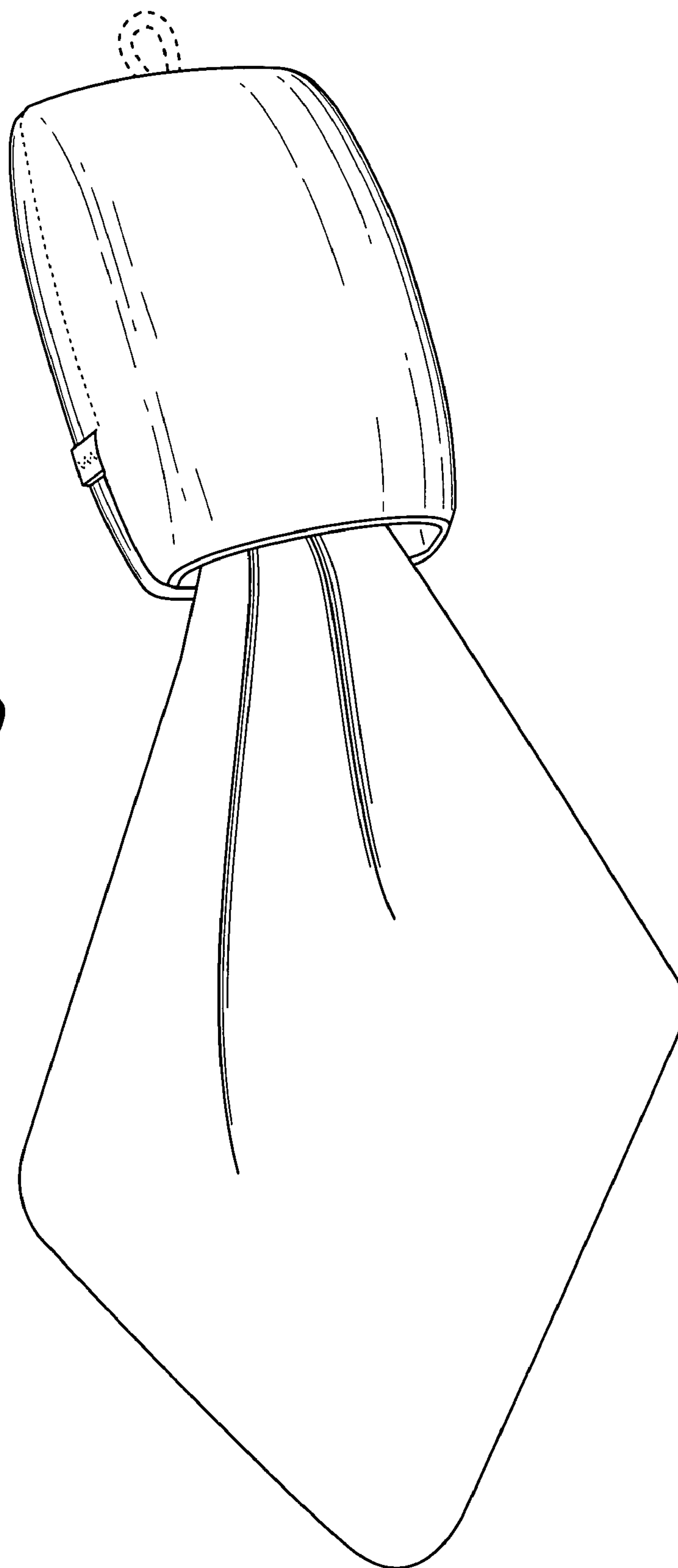
**Fig. 7**



**Fig. 8**



**Fig. 9**



**Fig. 10**