



US00D580144S

(12) **United States Design Patent**  
**Lussier**

(10) **Patent No.:** **US D580,144 S**  
(45) **Date of Patent:** **\*\* Nov. 11, 2008**

(54) **PORTION OF A CLEAT**

(75) Inventor: **Michel Lussier**, Portland, OR (US)

(73) Assignee: **adidas International Marketing BV**,  
Amsterdam (NL)

(\*\*) Term: **14 Years**

(21) Appl. No.: **29/277,714**

(22) Filed: **Mar. 7, 2007**

(51) **LOC (8) Cl.** ..... **02-04**

(52) **U.S. Cl.** ..... **D2/962; D2/946**

(58) **Field of Classification Search** ..... D2/946,  
D2/947, 948, 949, 950, 951, 952, 953, 954,  
D2/955, 956, 597, 958, 959, 960, 962, 963;  
36/59 R, 62, 64, 65, 66, 67 A, 67 B, 67 D,  
36/67 R, 113, 114, 115, 116, 117.1, 117.3,  
36/117.4, 126, 128, 132, 133, 134, 135  
See application file for complete search history.

(56) **References Cited**

**U.S. PATENT DOCUMENTS**

3,587,181	A	6/1971	Bernier et al.	
3,846,921	A	11/1974	Kobayashi	
D342,151	S	12/1993	Saito et al.	
5,794,367	A *	8/1998	Carroll	36/134
D407,893	S *	4/1999	McMullin	D2/962
D408,122	S *	4/1999	McMullin	D2/962
5,979,084	A	11/1999	Grant	
6,023,860	A *	2/2000	McMullin	36/127
6,052,923	A *	4/2000	McMullin	36/127
D432,770	S *	10/2000	Breault et al.	D2/962
D439,397	S *	3/2001	Shieh	D2/962
D439,732	S	4/2001	Grant	
6,233,850	B1 *	5/2001	Peabody	36/134
6,305,104	B1 *	10/2001	McMullin	36/127
D449,920	S *	11/2001	Yu	D2/962
D452,062	S *	12/2001	Savoie	D2/962
D452,947	S *	1/2002	Terashima	D2/962

D454,248	S *	3/2002	Savoie	D2/962
6,352,319	B1	3/2002	Grant	
D459,866	S *	7/2002	Gan	D2/962
D463,902	S *	10/2002	Yang	D2/962
D471,699	S *	3/2003	Peabody	D2/962
D510,179	S *	10/2005	McMullin	D2/962
D515,794	S *	2/2006	Spencer	D2/962
D522,220	S *	6/2006	McMullin	D2/962
D557,888	S *	12/2007	Yu	D2/962
2001/0011429	A1 *	8/2001	Peabody	36/134
2002/0078603	A1 *	6/2002	Schmitt, Jr.	36/134
2003/0172556	A1 *	9/2003	Terashima	36/134
2004/0040182	A1 *	3/2004	McMullin	36/134
2008/0072460	A1 *	3/2008	Robinson et al.	36/134

\* cited by examiner

*Primary Examiner*—Prabhakar Deshmukh

*Assistant Examiner*—Elizabeth J Oswecki

(74) *Attorney, Agent, or Firm*—Sterne, Kessler, Goldstein & Fox P.L.L.C.

(57) **CLAIM**

The ornamental design for a portion of a cleat, as shown and described.

**DESCRIPTION**

FIG. 1 is a perspective view of a portion of a cleat showing a new design;

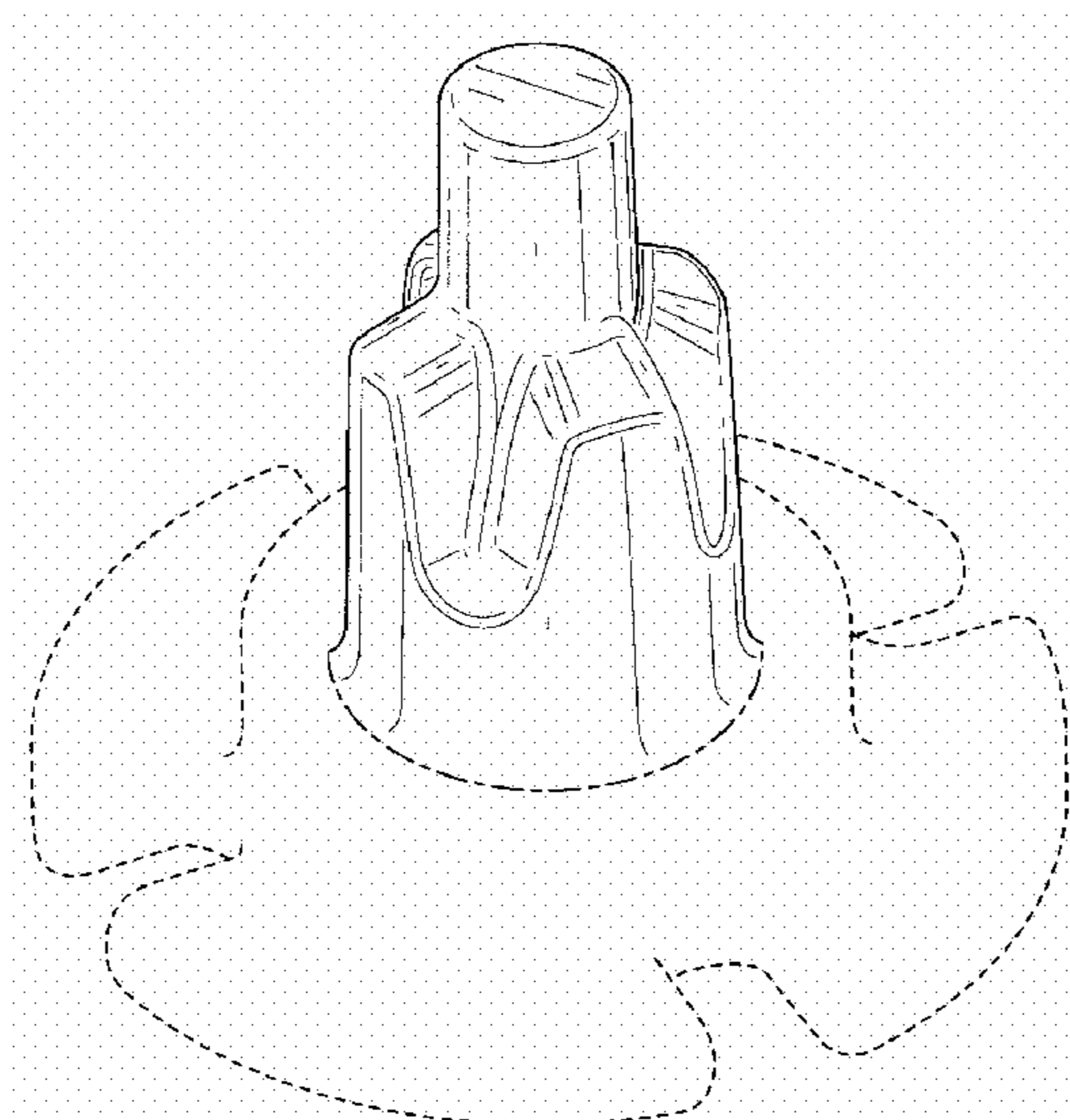
FIG. 2 is a side view thereof, the opposite view being a mirror image thereof;

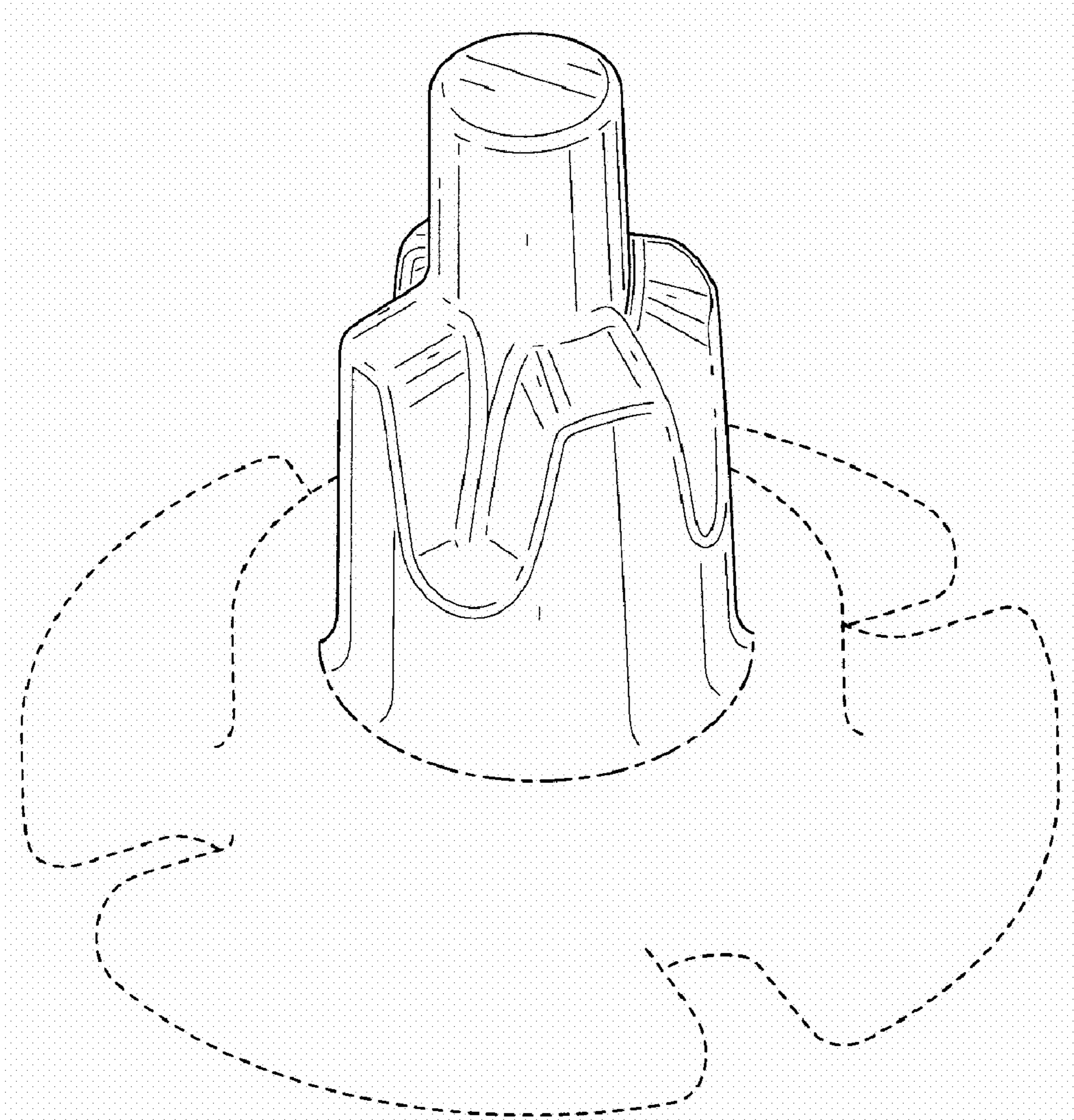
FIG. 3 is another side view thereof, the opposite view being a mirror image thereof; and,

FIG. 4 is a top view thereof.

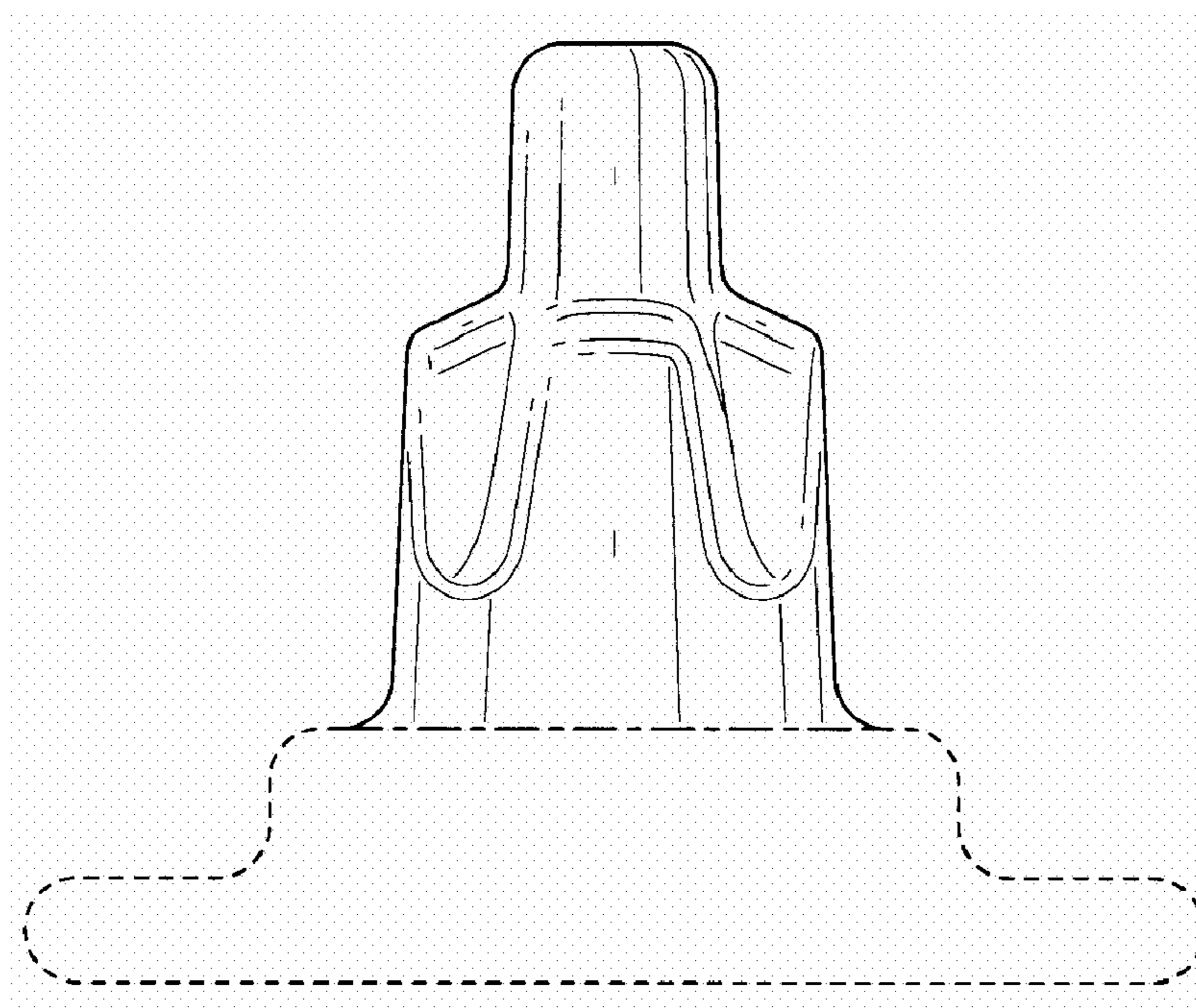
The dashed-dot-dashed line is a boundary line at the bottom portion of a cleat that is included for the purpose of illustrating only and forms no part of the claimed design. The broken line showing of a base of the cleat is included for the purpose of illustrating only and forms no part of the claimed design.

**1 Claim, 3 Drawing Sheets**

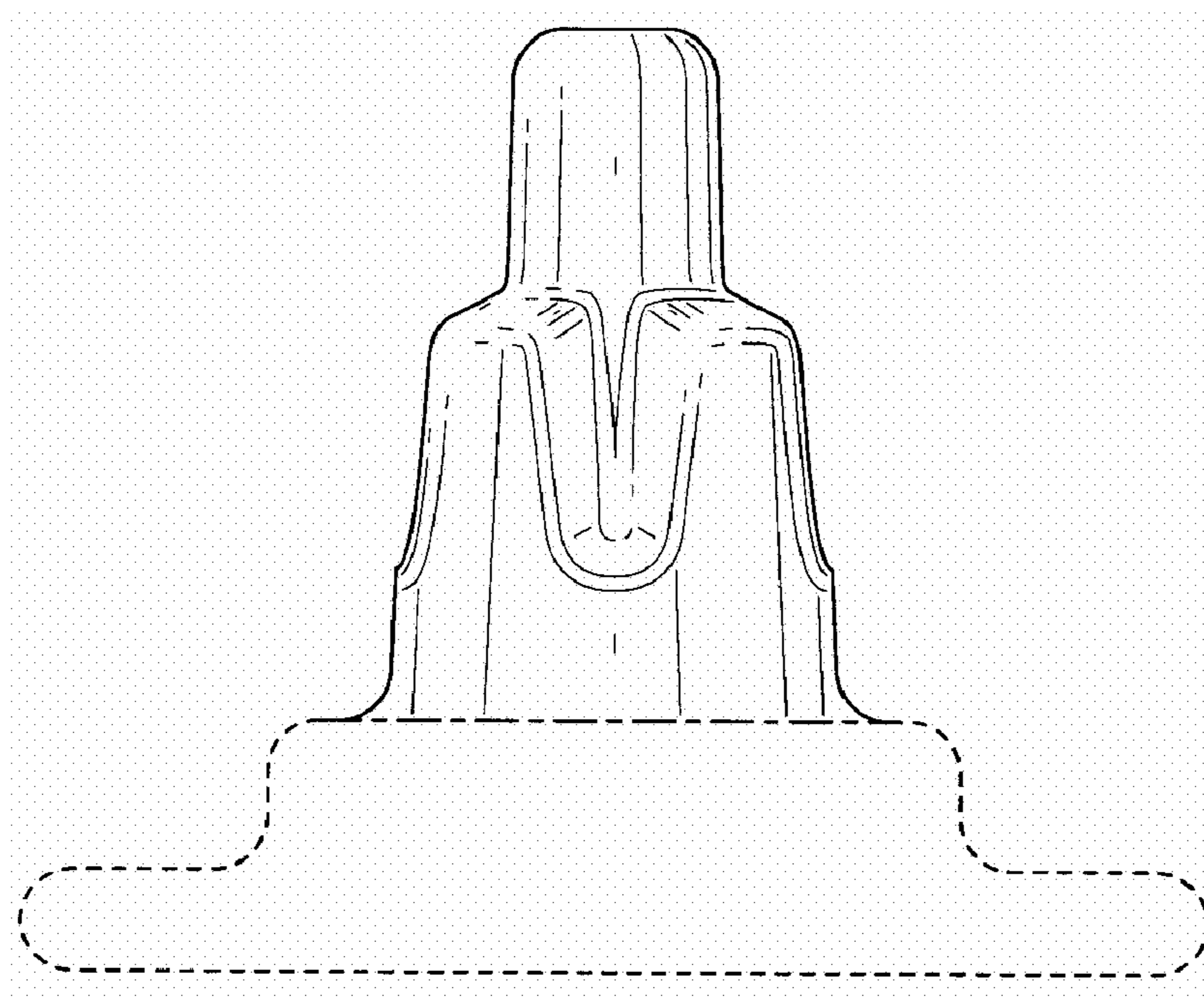




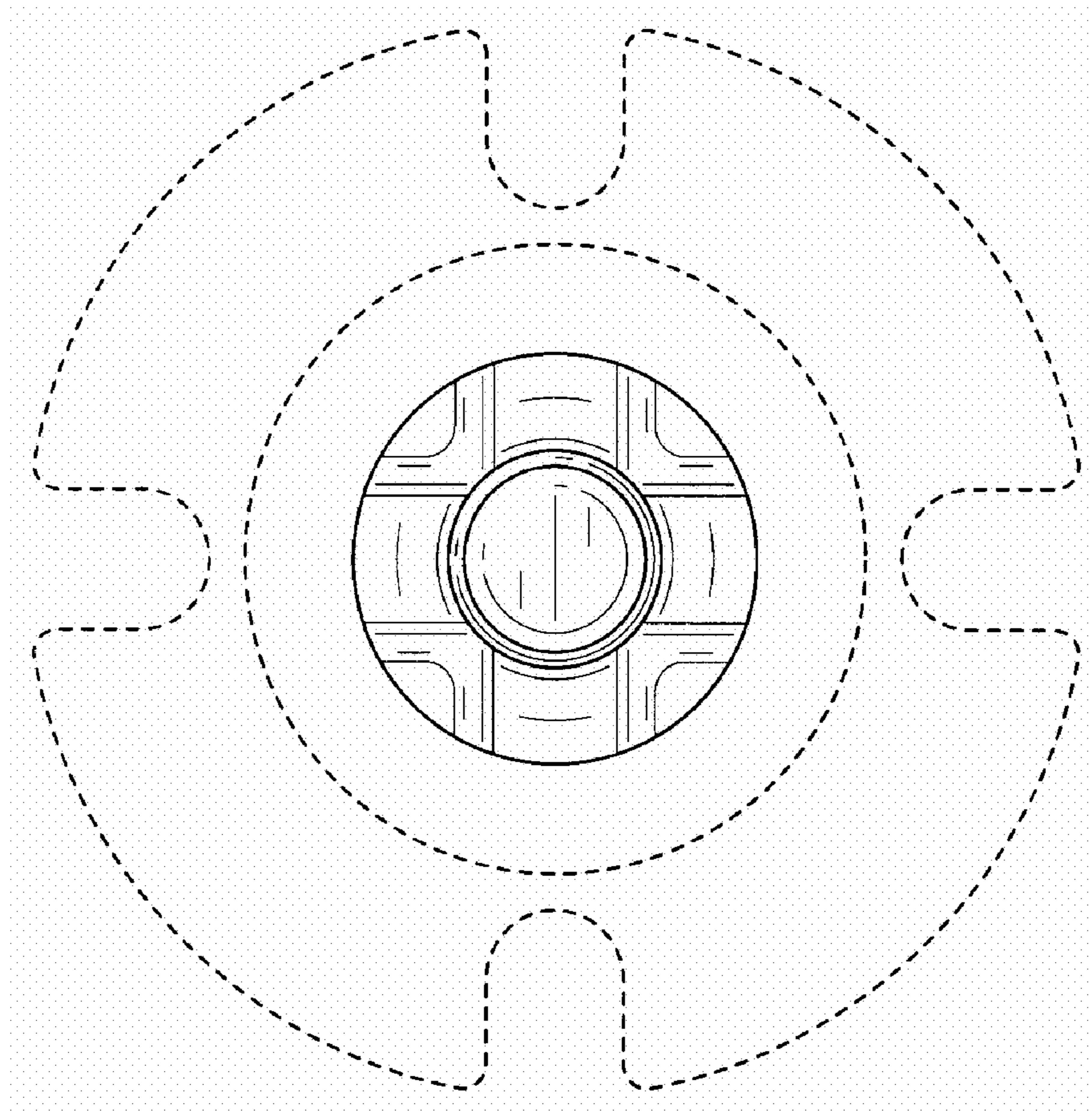
**FIG. 1**



**FIG. 2**



**FIG. 3**



**FIG. 4**