



US00D580132S

(12) **United States Design Patent**
Lin

(10) **Patent No.:** **US D580,132 S**
(45) **Date of Patent:** **** Nov. 11, 2008**

(54) **ROLLER SET OF ROLLER SKATE SHOE**

(75) Inventor: **Su-Tsai Lin**, Taichung (TW)

(73) Assignee: **E-Dich International Co., Ltd.**,
Taichung (TW)

(**) Term: **14 Years**

(21) Appl. No.: **29/287,607**

(22) Filed: **Aug. 29, 2007**

(51) **LOC (8) Cl.** **02-04**

(52) **U.S. Cl.** **D2/946; D21/763; D21/771**

(58) **Field of Classification Search** D2/896,
D2/902, 904, 905, 906, 946, 947, 976; D3/261,
D3/271.12, 279, 317; D6/320, 322; D21/760-765,
D21/771, 779; 36/113, 114, 115, 116, 132,
36/134, 136; 190/18 A, 18 R; 472/88-91
See application file for complete search history.

(56) **References Cited**

U.S. PATENT DOCUMENTS

D95,208 S * 4/1935 Marx D21/763
D107,515 S * 12/1937 Grange et al. D21/779
2,400,535 A * 5/1946 Celmer 280/11.19
2,652,285 A * 9/1953 Negri 301/5.7
2,664,317 A * 12/1953 Glynn et al. 301/5.309
D180,333 S * 5/1957 Jones D21/763

D241,868 S * 10/1976 Smith D21/764
4,070,029 A * 1/1978 Panarelli 280/11.19
D305,143 S * 12/1989 Shaw D21/764
D355,689 S * 2/1995 Smith D21/764
D359,542 S * 6/1995 Sherman et al. D21/764
D482,750 S * 11/2003 Magerer et al. D21/763
D535,714 S * 1/2007 Cheng et al. D21/763
D567,318 S * 4/2008 Farrelly et al. D21/763
2002/0030332 A1 * 3/2002 Longino 280/11.225

* cited by examiner

Primary Examiner—Prabhakar Deshmukh

Assistant Examiner—Elizabeth J Oswecki

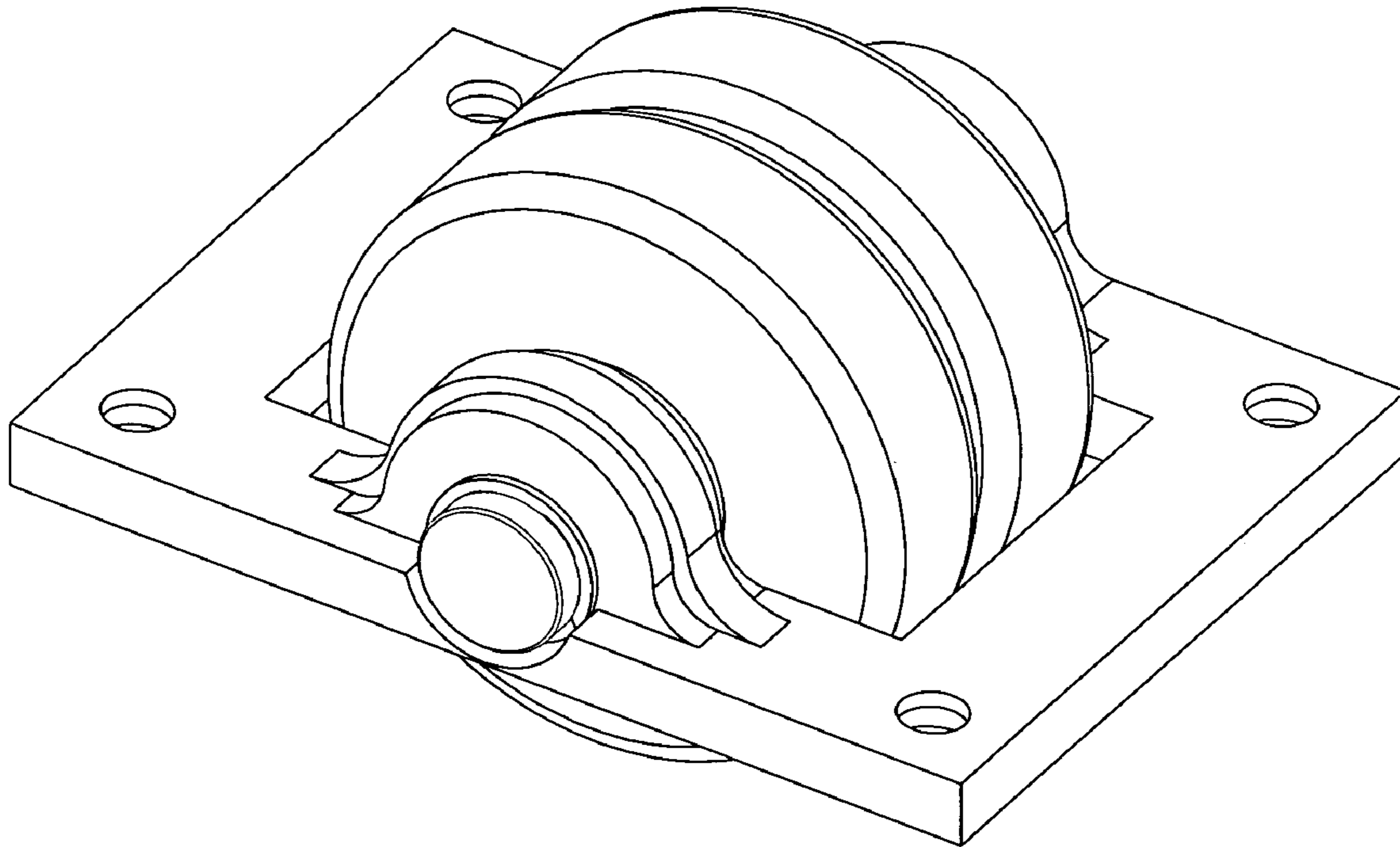
(57) **CLAIM**

The ornamental design for a roller set of roller skate shoe, as shown and described.

DESCRIPTION

FIG. 1 is a perspective view of a roller set of roller skate shoe;
FIG. 2 is a front view thereof;
FIG. 3 is a back view thereof;
FIG. 4 is a left view thereof;
FIG. 5 is a right view thereof;
FIG. 6 is a top view thereof; and,
FIG. 7 is a bottom view thereof.

1 Claim, 5 Drawing Sheets



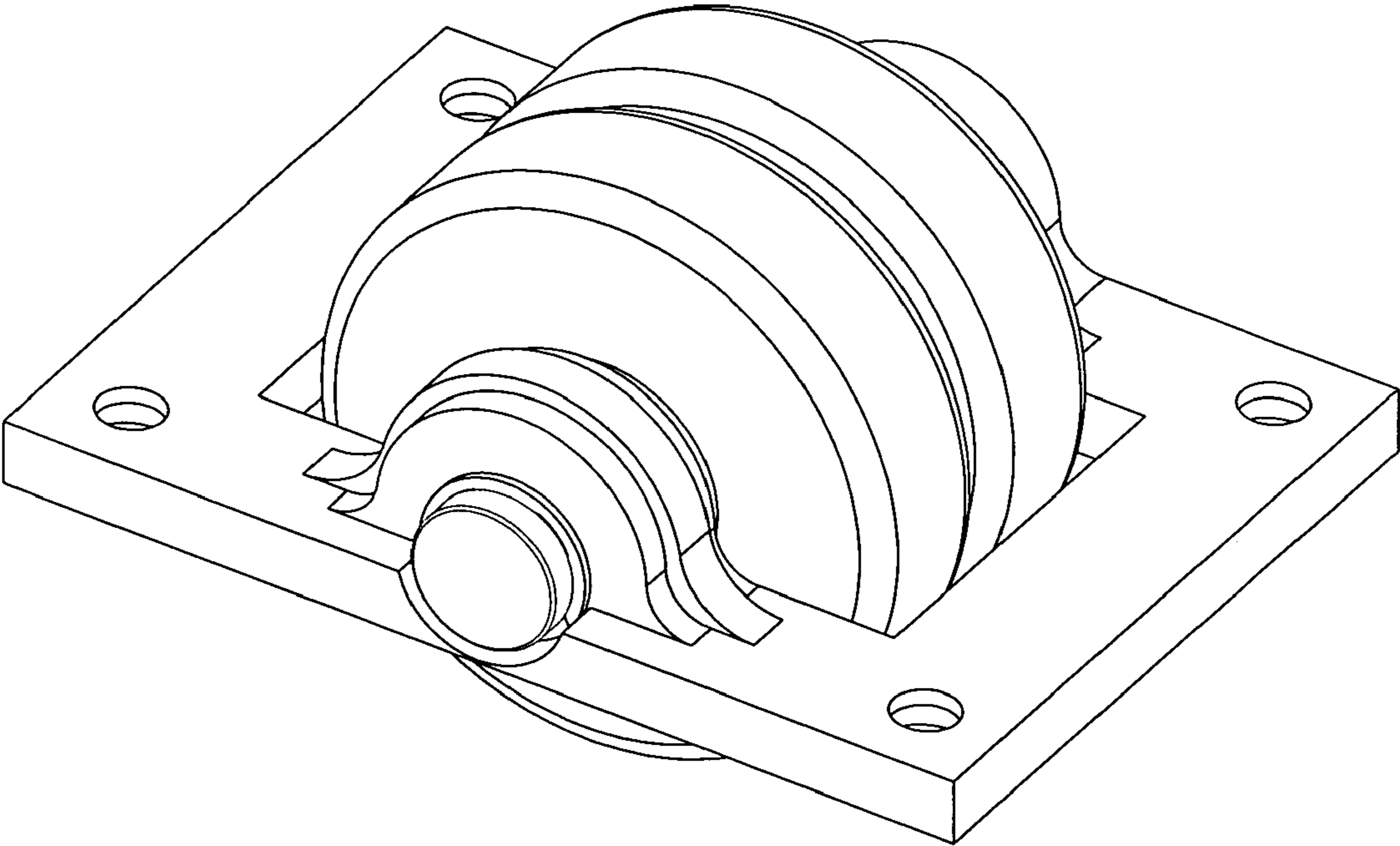


FIG.1

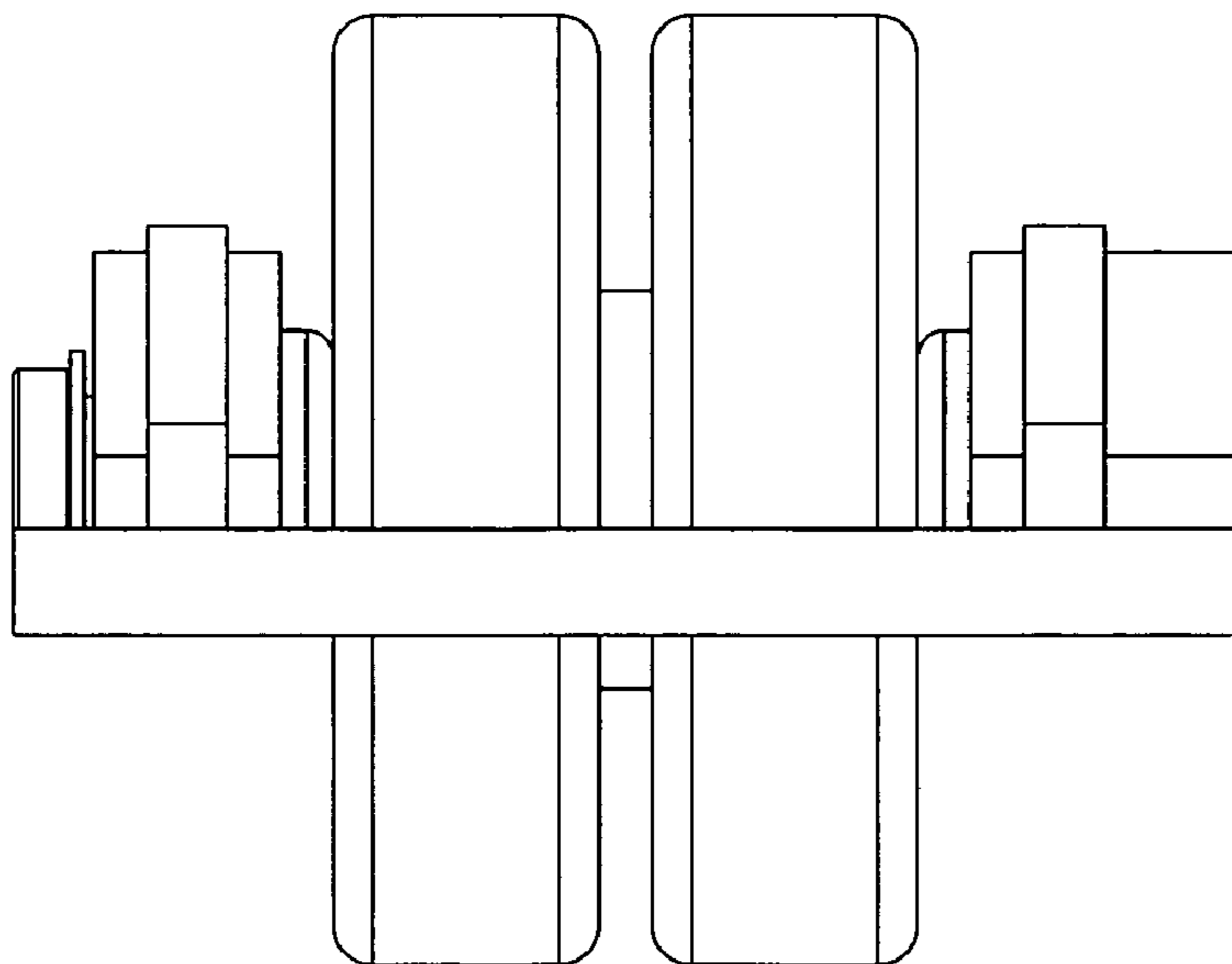


FIG.2

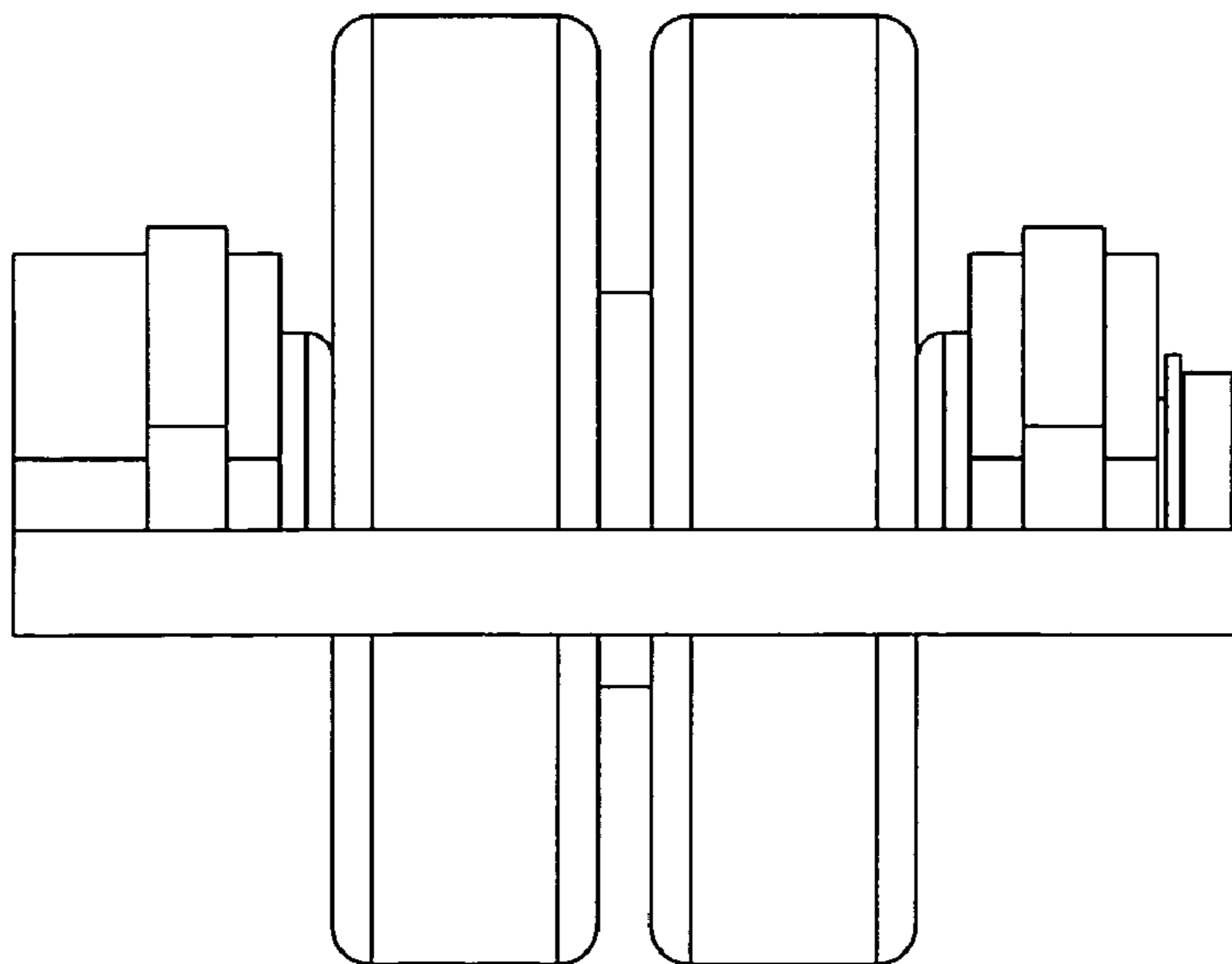


FIG.3

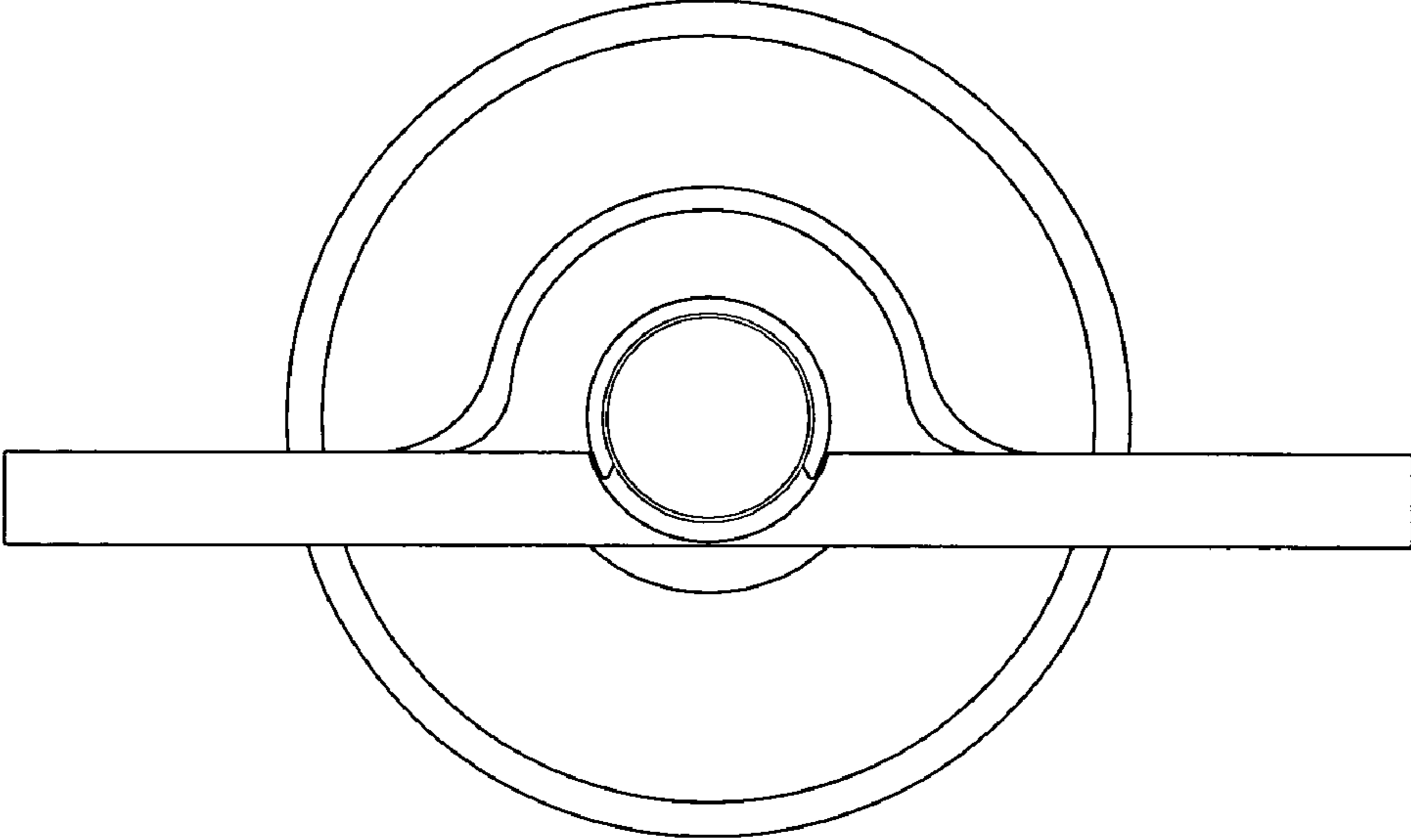


FIG. 4

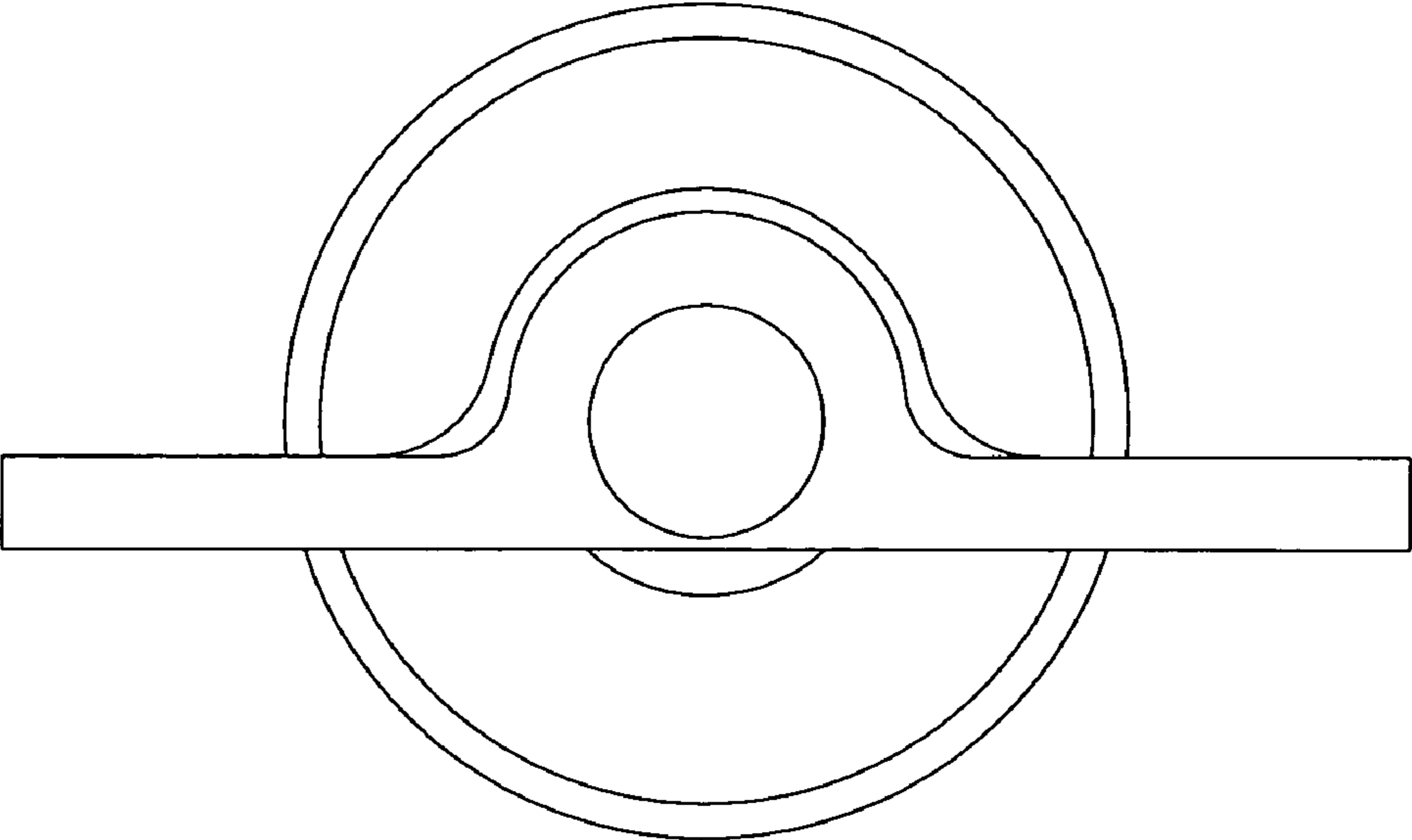


FIG. 5

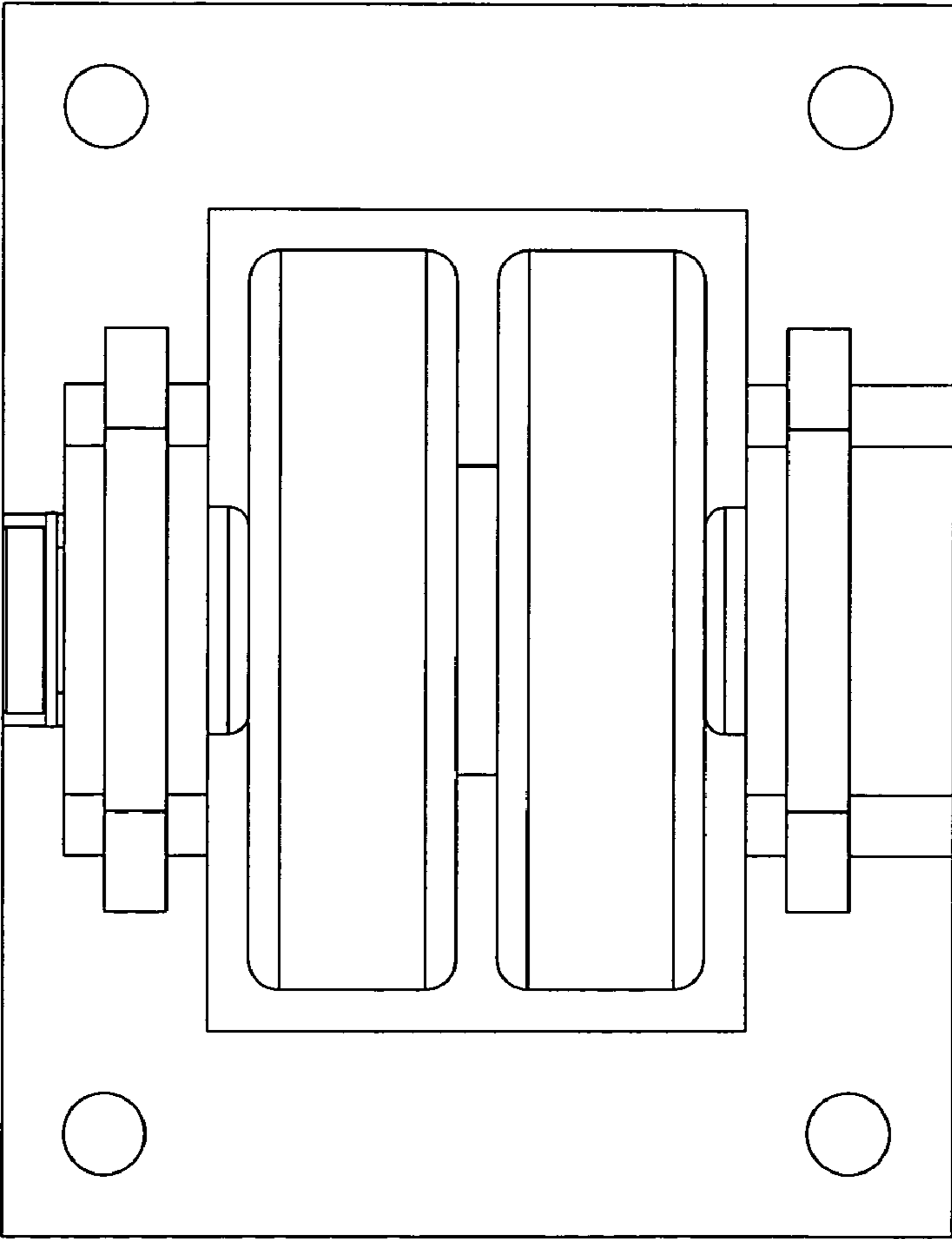


FIG.6

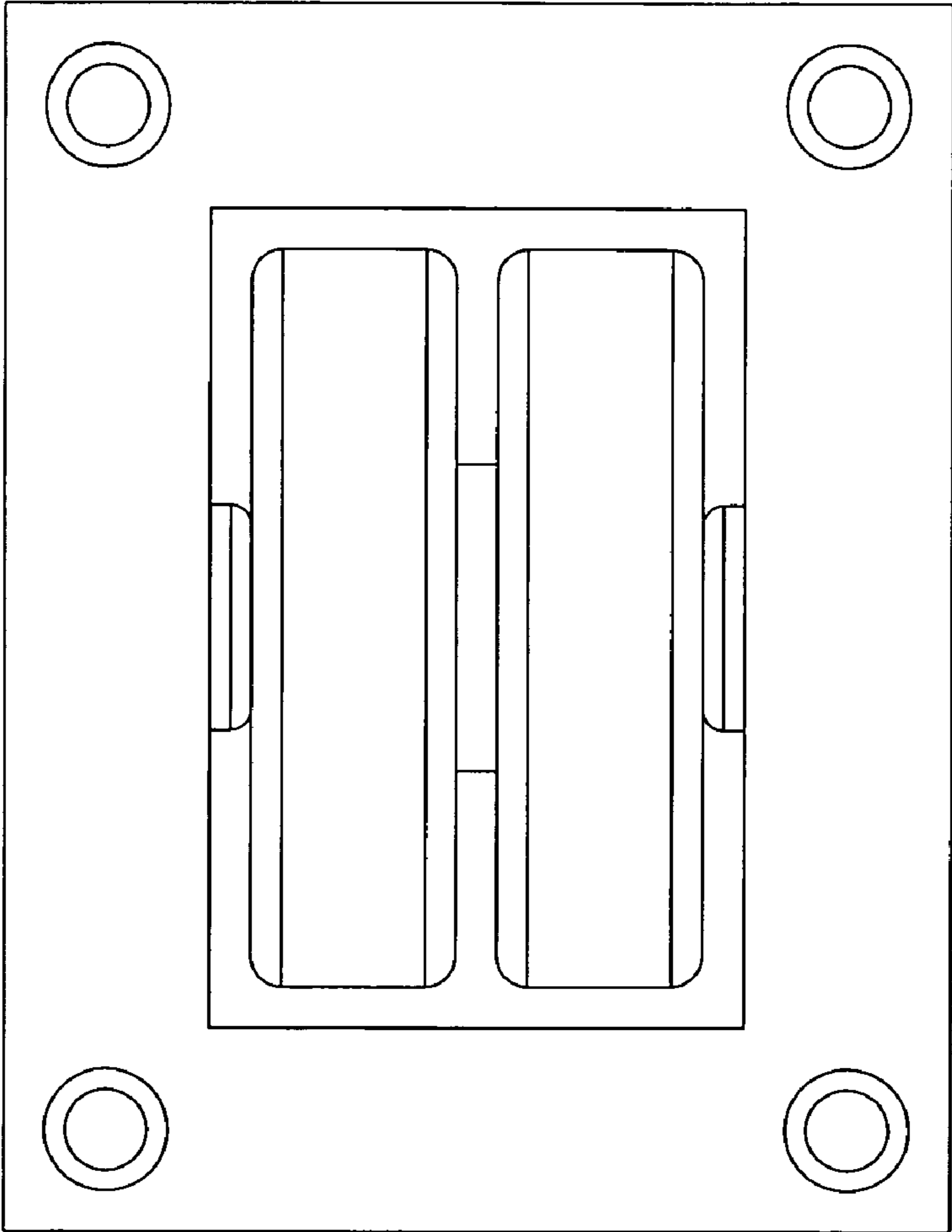


FIG.7