



US00D580128S

(12) **United States Design Patent**  
**Broudy**

(10) **Patent No.:** **US D580,128 S**  
(45) **Date of Patent:** **\*\* Nov. 11, 2008**

(54) **POCKET JACKET**

(76) Inventor: **Sanderson Broudy**, 570 Pala Ave., San Leandro, CA (US) 94577

(\*\*) Term: **14 Years**

(21) Appl. No.: **29/294,553**

(22) Filed: **Jan. 16, 2008**

(51) **LOC (8) Cl.** ..... **02-02**

(52) **U.S. Cl.** ..... **D2/839**

(58) **Field of Classification Search** ..... D2/717,  
D2/714, 743, 749, 750, 753, 755, 828, 829,  
D2/839, 840, 841, 847, 843, 844, 849, 602;  
2/91, 93, 102, 106, 108, 113, 115, 116, DIG. 2  
See application file for complete search history.

(56) **References Cited**

**U.S. PATENT DOCUMENTS**

2,970,316	A *	2/1961	Silin	.....	2/94
D250,226	S *	11/1978	Shaw	.....	D2/830
4,272,852	A *	6/1981	Bell	.....	2/94
D266,880	S *	11/1982	Luhtala	.....	D2/831
4,669,127	A *	6/1987	Swanson	.....	2/46
D332,171	S *	1/1993	Gudas et al.	.....	D2/830
D341,471	S *	11/1993	Cross	.....	D2/717
5,526,969	A *	6/1996	Greenberger	.....	224/153
6,073,268	A *	6/2000	Ziegler et al.	.....	2/94

D566,928 S \* 4/2008 Flick ..... D2/840  
2005/0264543 A1 \* 12/2005 Gorischek ..... 345/204

**FOREIGN PATENT DOCUMENTS**

GB 2231254 A \* 11/1990

\* cited by examiner

*Primary Examiner*—Ian Simmons

*Assistant Examiner*—R. Johnson

(74) *Attorney, Agent, or Firm*—Francis Law Group

(57) **CLAIM**

I claim the ornamental design for a pocket jacket, as shown and described.

**DESCRIPTION**

FIG. 1 is a rear perspective view of a pocket jacket showing my new design;

FIG. 2 is a front elevational view thereof;

FIG. 3 is a rear elevational view thereof;

FIG. 4 is a right side elevational view thereof;

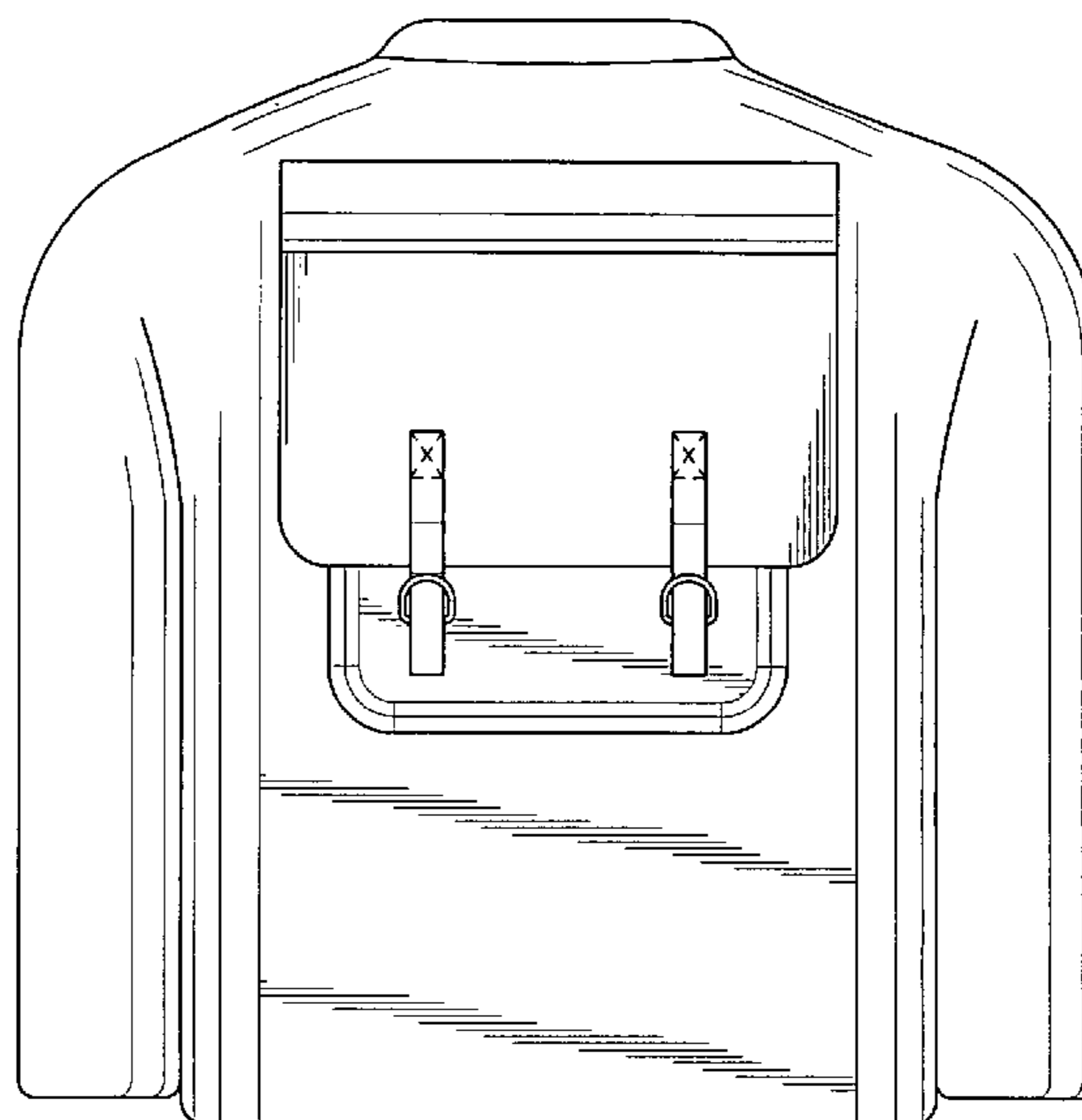
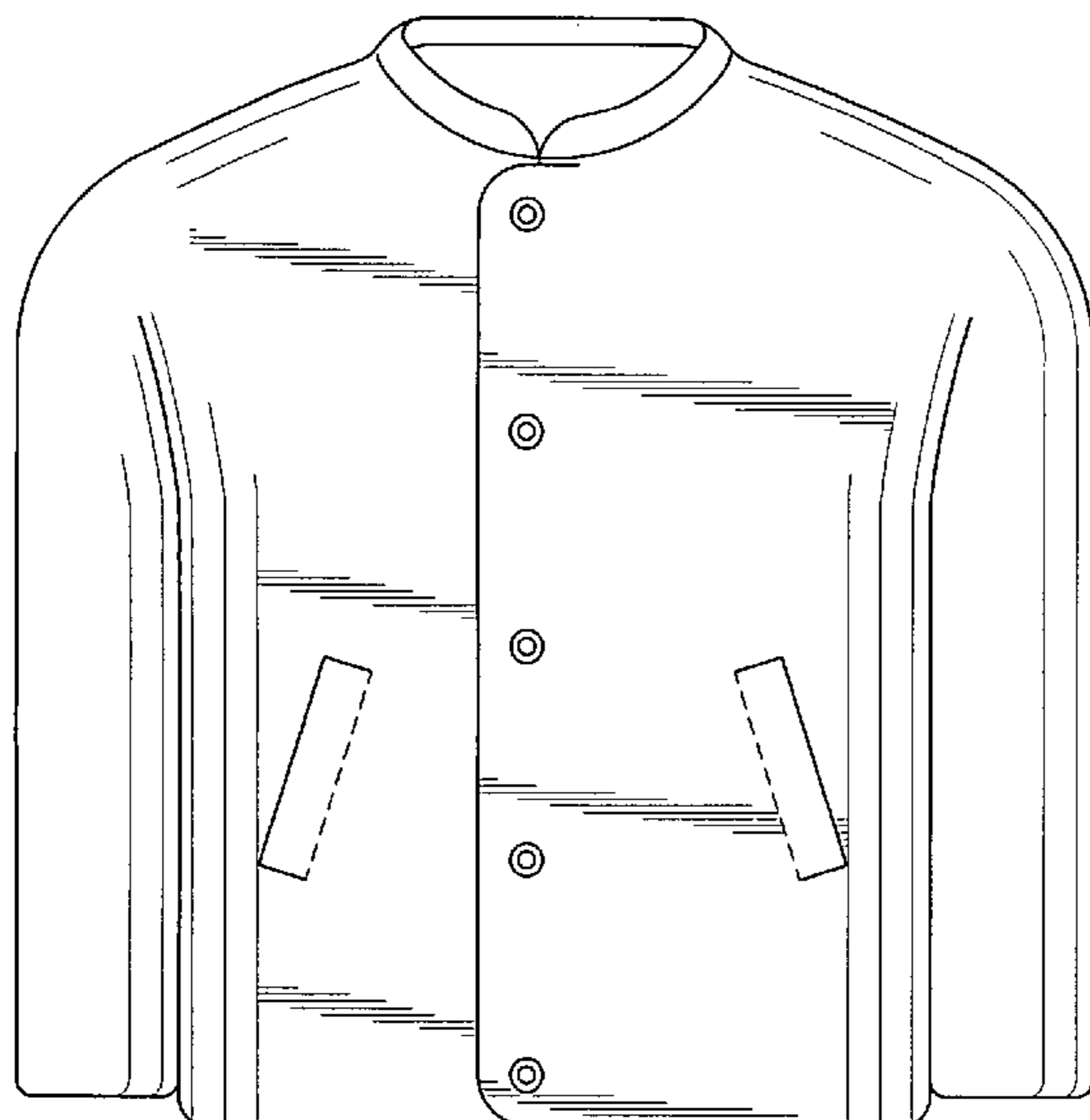
FIG. 5 is a left side elevational view thereof;

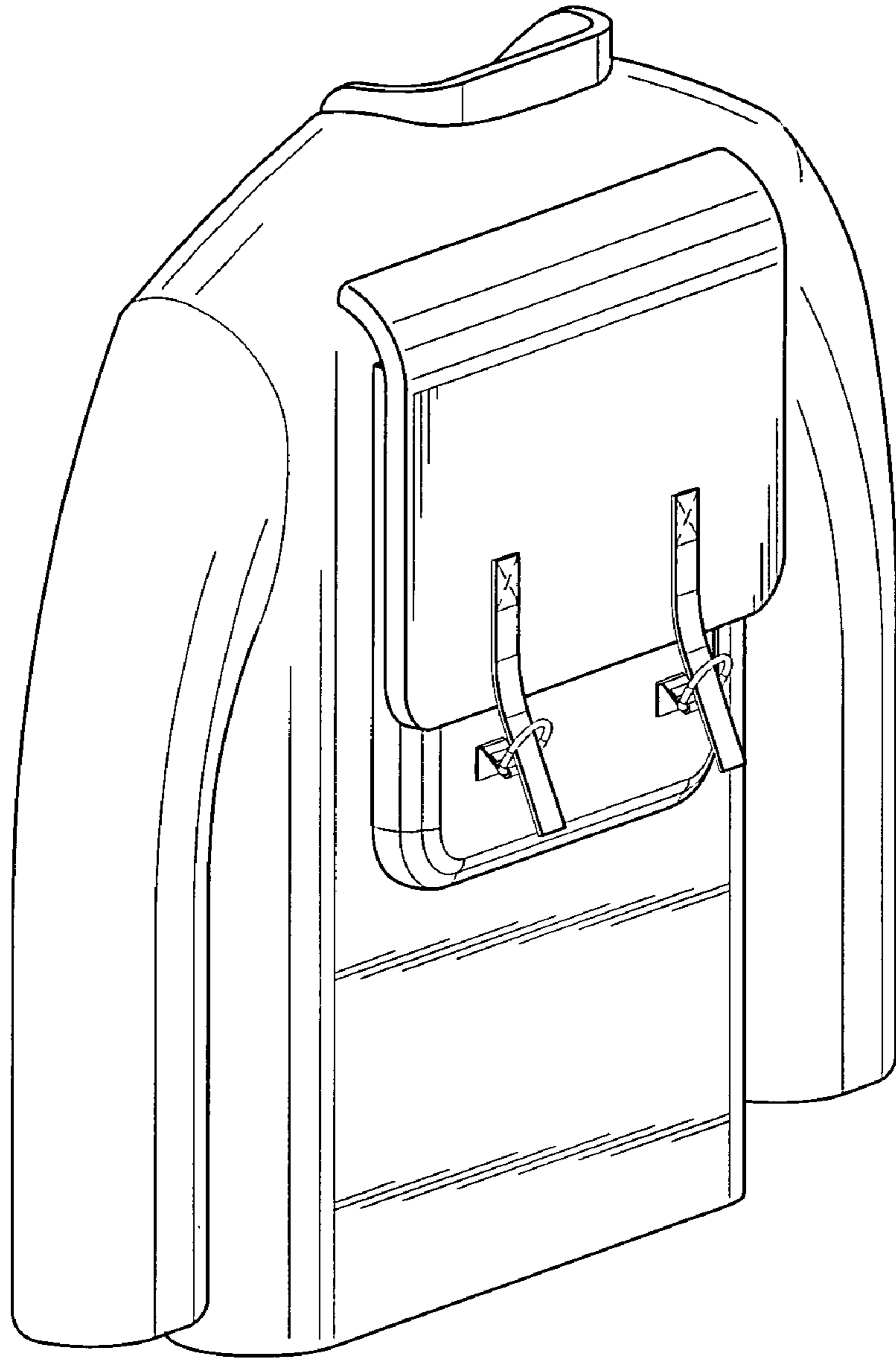
FIG. 6 is a top plan view thereof; and,

FIG. 7 is a bottom plan view thereof.

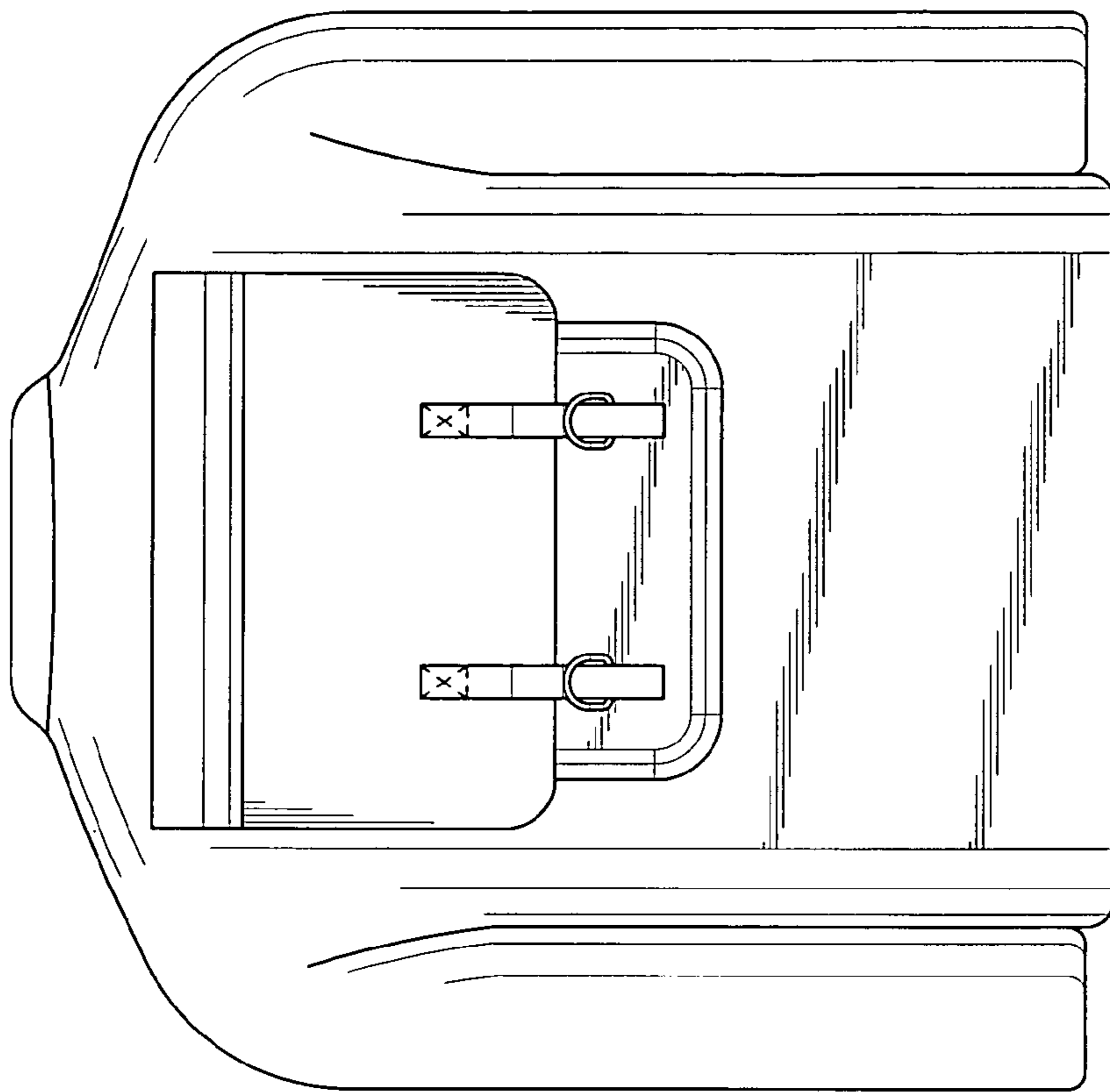
The broken lines in FIGS. 1–3 represent stitching.

**1 Claim, 3 Drawing Sheets**

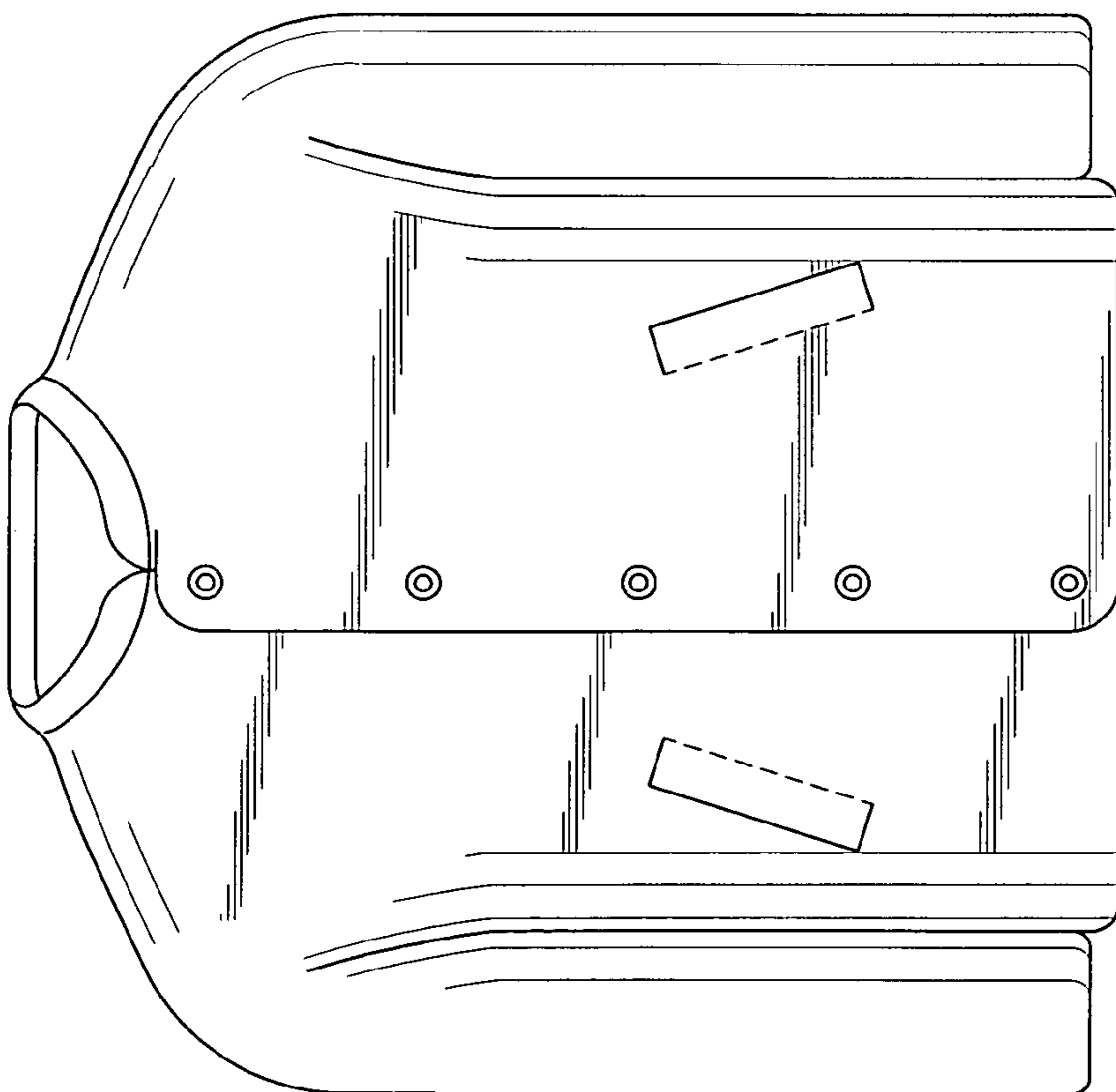




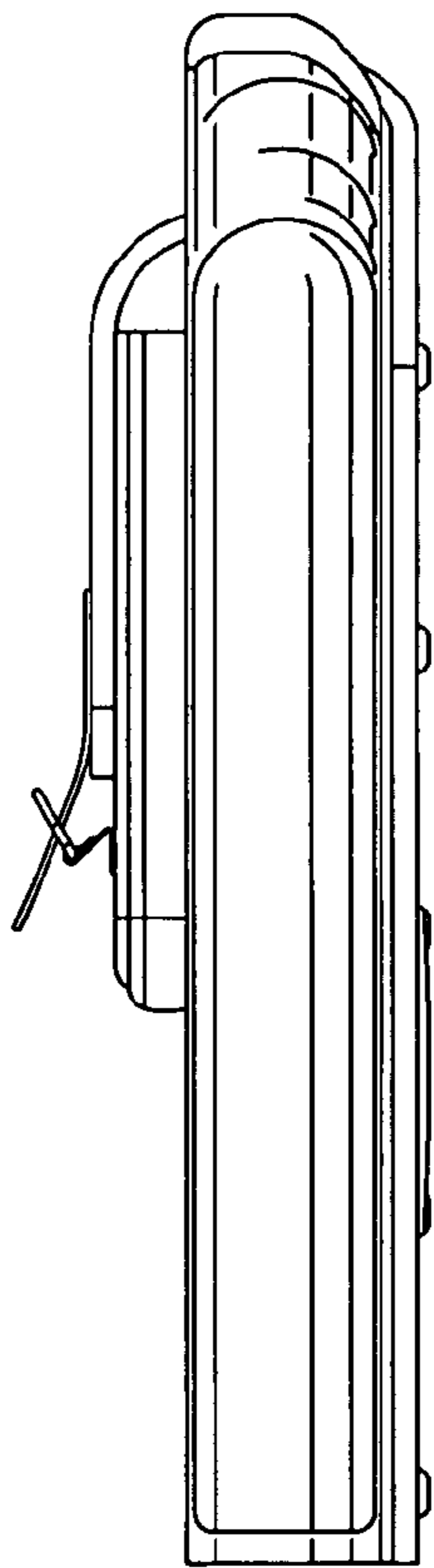
***FIG. 1***



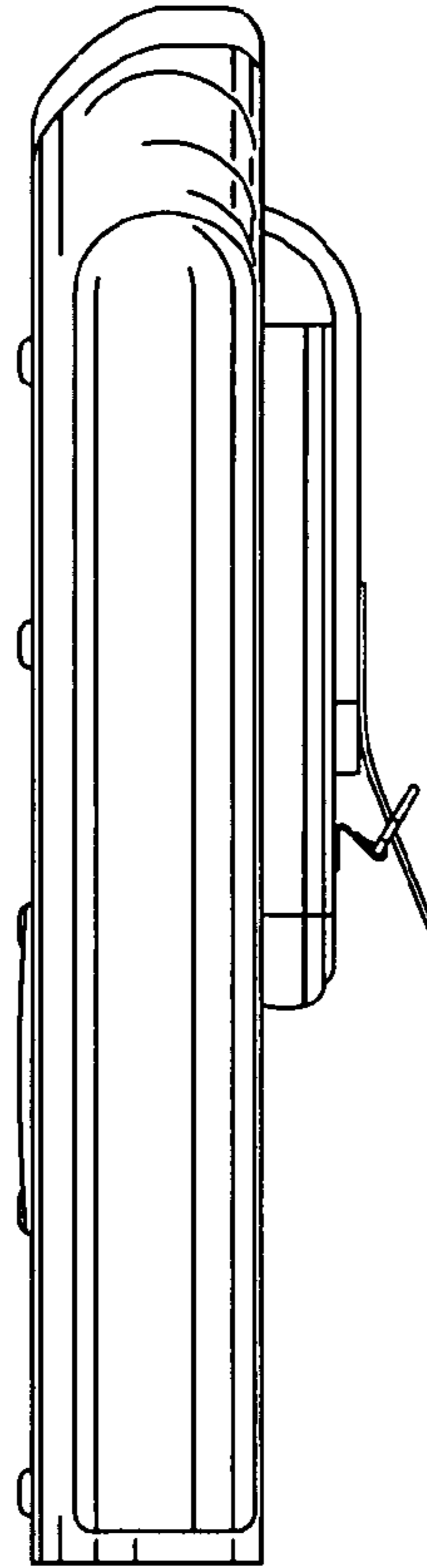
*FIG. 3*



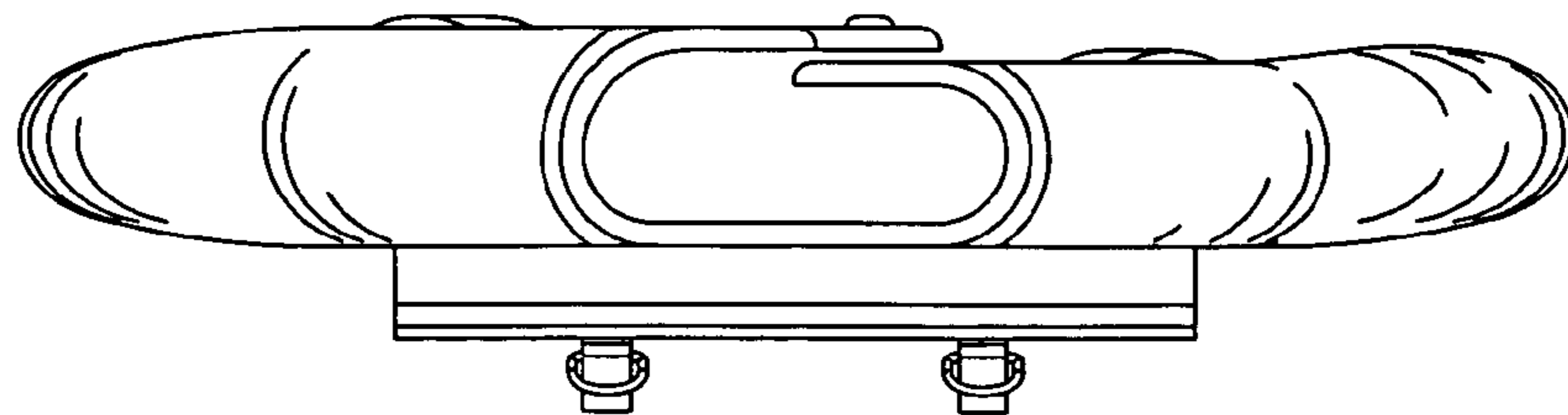
*FIG. 2*



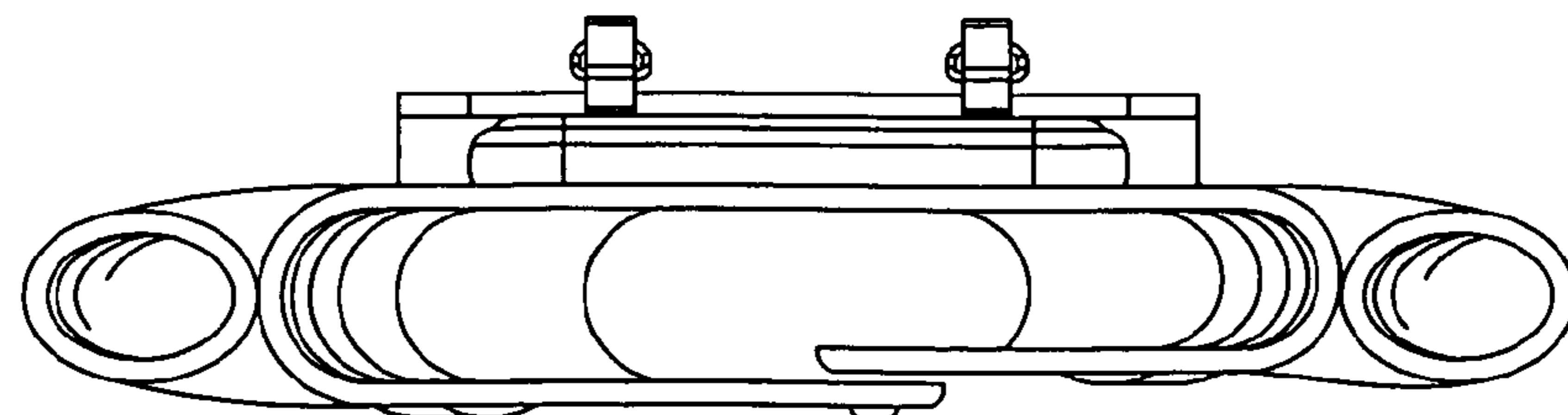
**FIG. 4**



**FIG. 5**



**FIG. 6**



**FIG. 7**