



US00D580125S

(12) **United States Design Patent**  
**Osiecki et al.**

(10) **Patent No.:** **US D580,125 S**

(45) **Date of Patent:** **\*\* Nov. 4, 2008**

(54) **DOOR BACK FOR A SAFE**

2007/0145868 A1\* 6/2007 Greiner ..... 312/249.2  
2007/0277712 A1\* 12/2007 Stepp ..... 109/50

(75) Inventors: **Scott W. Osiecki**, Skaneateles, NY (US);  
**Donwoong Kang**, Syracuse, NY (US)

\* cited by examiner

(73) Assignee: **John D. Brush & Co., Inc.**, Rochester,  
NY (US)

*Primary Examiner*—Robert M. Spear  
*Assistant Examiner*—Susan E Krakower

(74) *Attorney, Agent, or Firm*—Woods Oviatt Gilman, LLP

(\*\*) Term: **14 Years**

(57) **CLAIM**

(21) Appl. No.: **29/283,708**

The ornamental design for a door back for a safe, as shown and described.

(22) Filed: **Aug. 21, 2007**

**DESCRIPTION**

(51) **LOC (8) Cl.** ..... **99-00**

(52) **U.S. Cl.** ..... **D99/43**

(58) **Field of Classification Search** ..... D99/28,  
D99/34-43, 99; D18/3.1-3.3; D14/385,  
D14/448, 173, 307, 901, 146, 144, 151; 235/375-381,  
235/100; 705/35, 43; 109/2, 24.1, 50, 53,  
109/66, 83; 106/644; 52/659, 73; 902/8,  
902/9, 21, 30; 340/5.41; 348/150; D20/1,  
D20/2; D25/16; 361/681, 683, 686, 687,  
361/694; D6/573, 634; D3/201, 291, 294,  
D3/276, 273; 194/202, 379, 381; 206/8,  
206/815

See application file for complete search history.

FIG. 1 is a right front perspective view of an ornamental design for a door back for a safe according to the present invention;

FIG. 2 is a front view of the door back for a safe shown in FIG. 1;

FIG. 3 is a right side view of the door back for a safe shown in FIG. 1;

FIG. 4 is a left side view of the door back for a safe shown in FIG. 1;

FIG. 5 is a top view of the door back for a safe shown in FIG. 1; and,

FIG. 6 is a bottom view of the door back for a safe shown in FIG. 1.

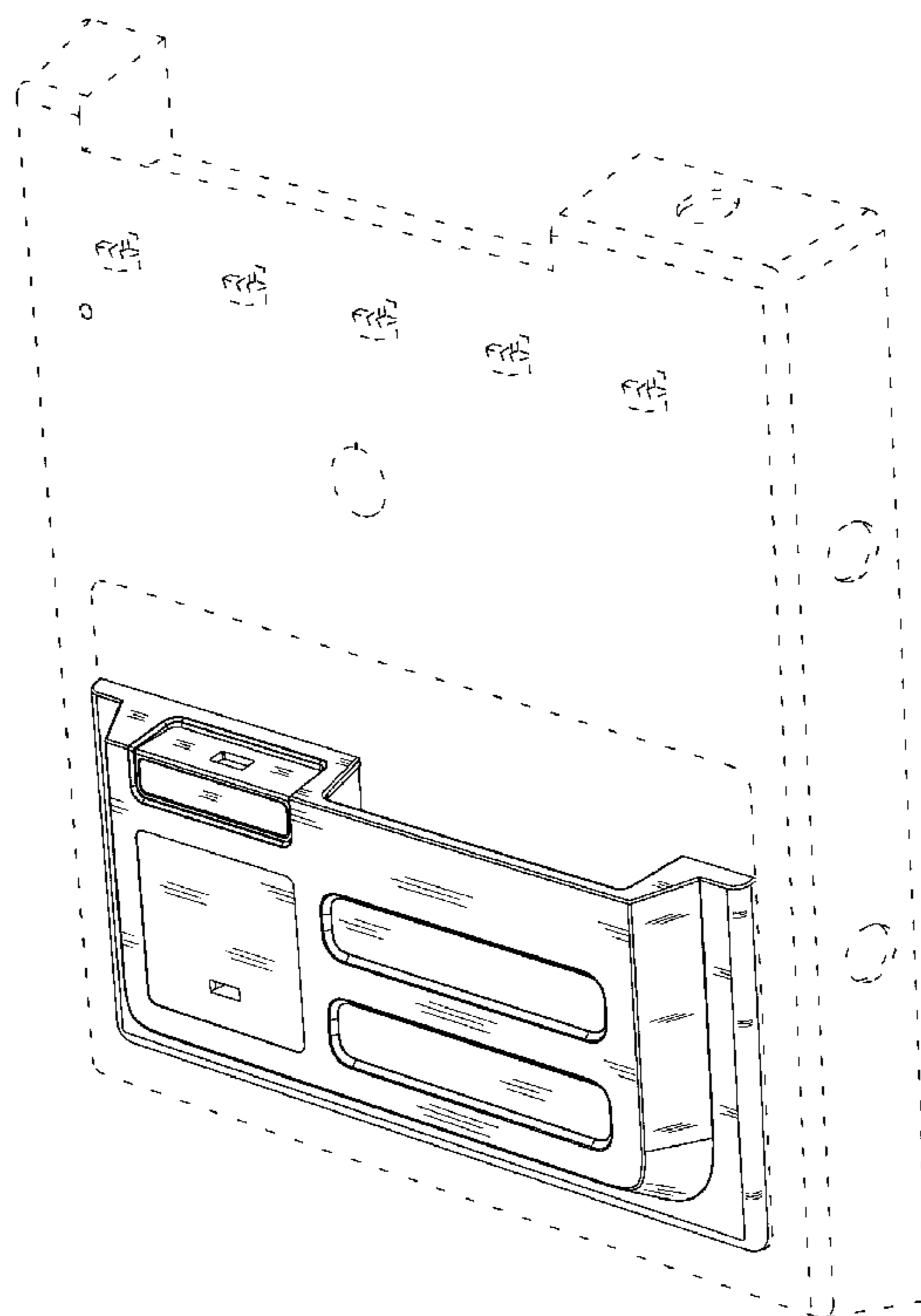
The portions of the drawing shown in broken lines represent environmental structure and form no part of the claimed design.

(56) **References Cited**

**U.S. PATENT DOCUMENTS**

3,139,047 A \* 6/1964 Maynard ..... 109/72  
4,595,828 A \* 6/1986 Lundblad ..... 235/379  
4,706,577 A \* 11/1987 Jones ..... 109/59 T  
6,971,322 B2 \* 12/2005 DuBois et al. .... 109/24.1

**1 Claim, 6 Drawing Sheets**



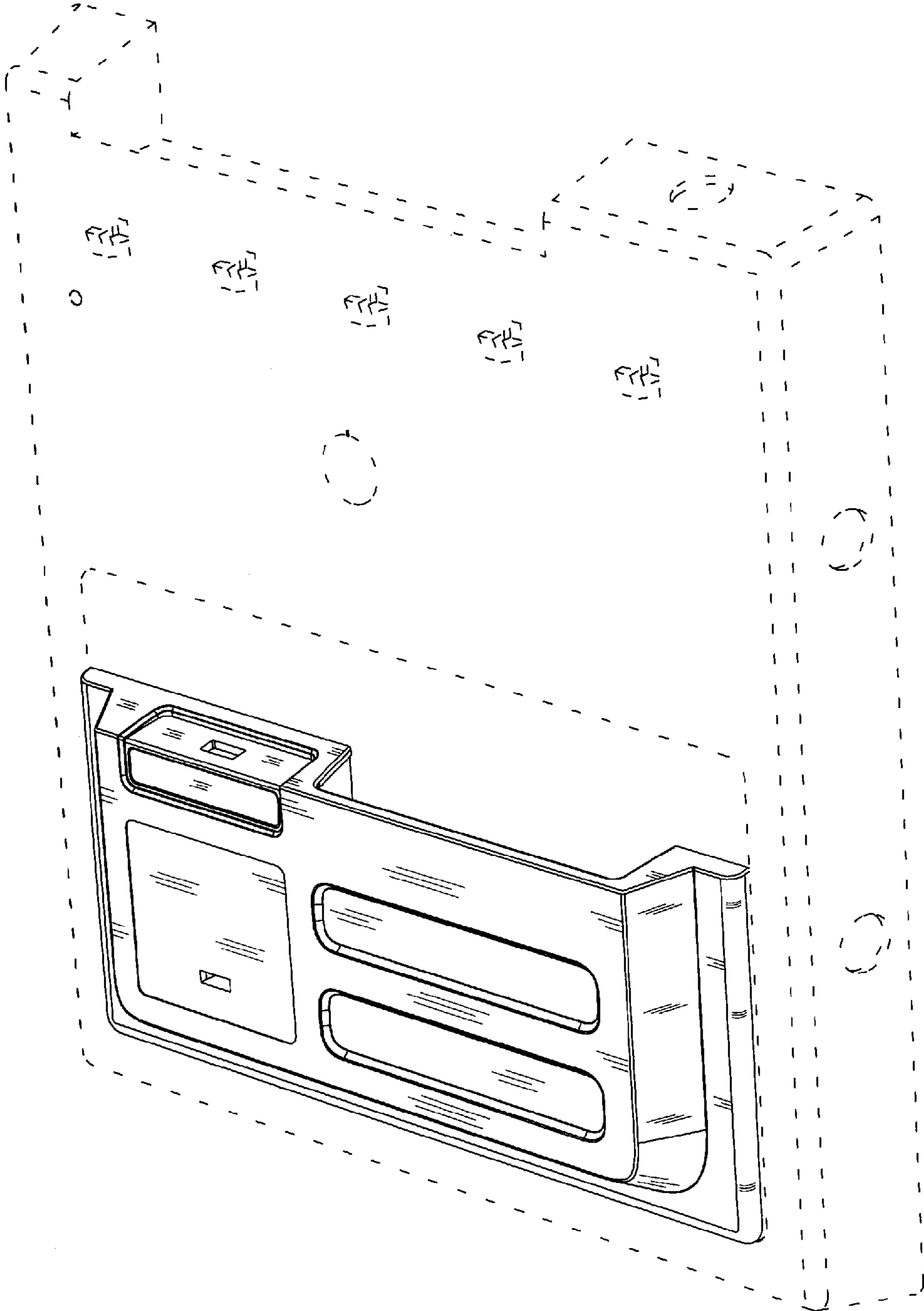


FIG. 1

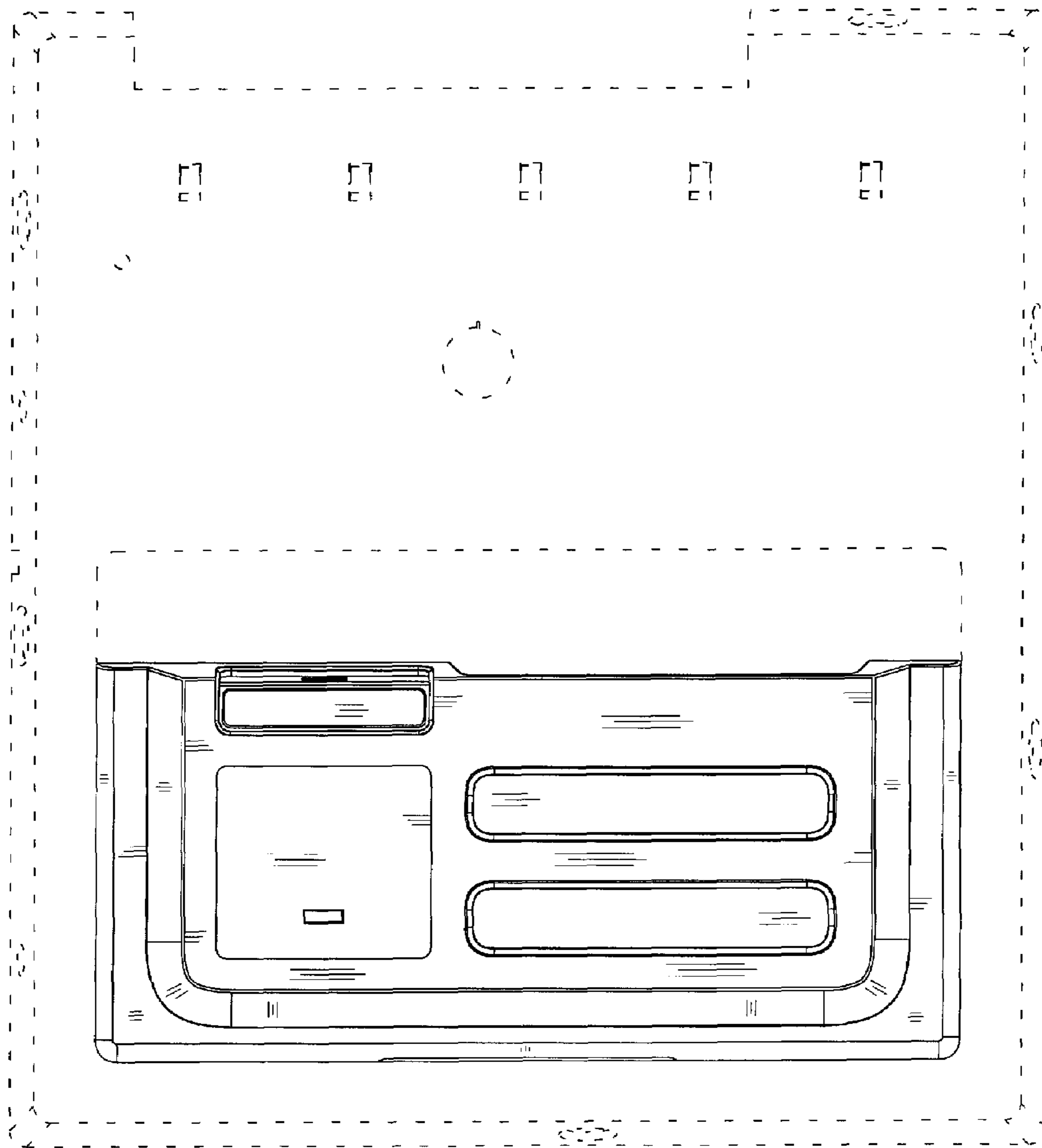


FIG. 2

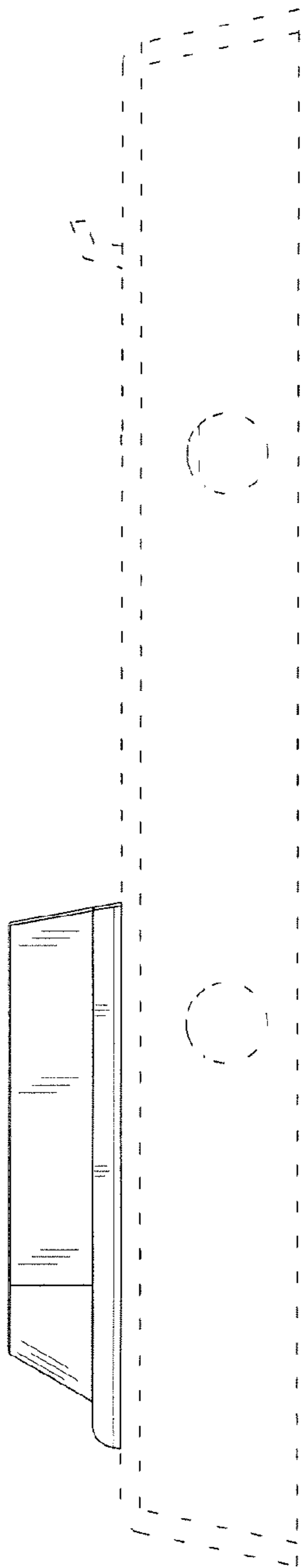


FIG. 3

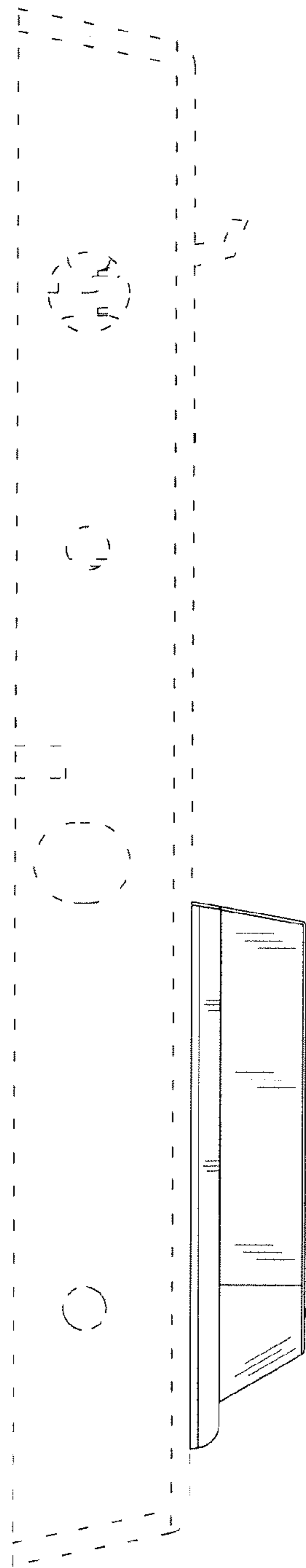


FIG. 4

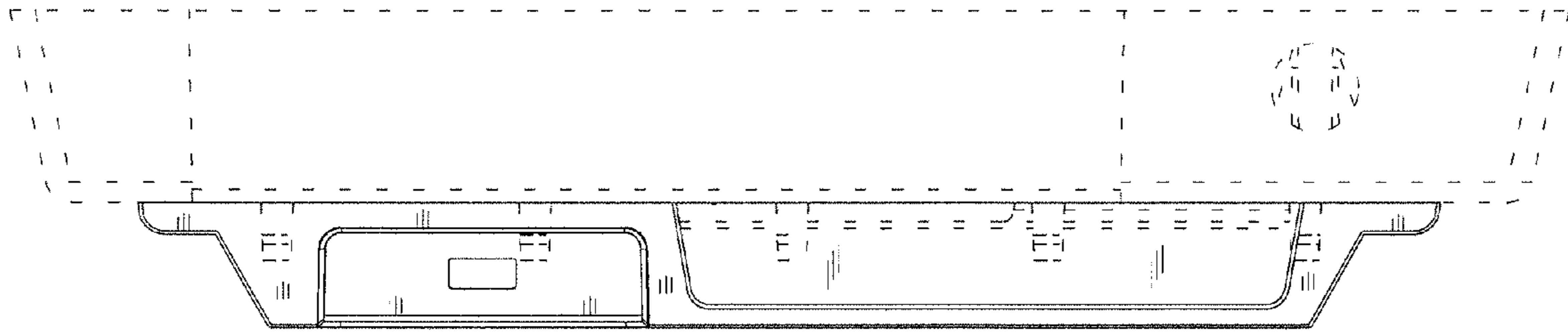


FIG. 5

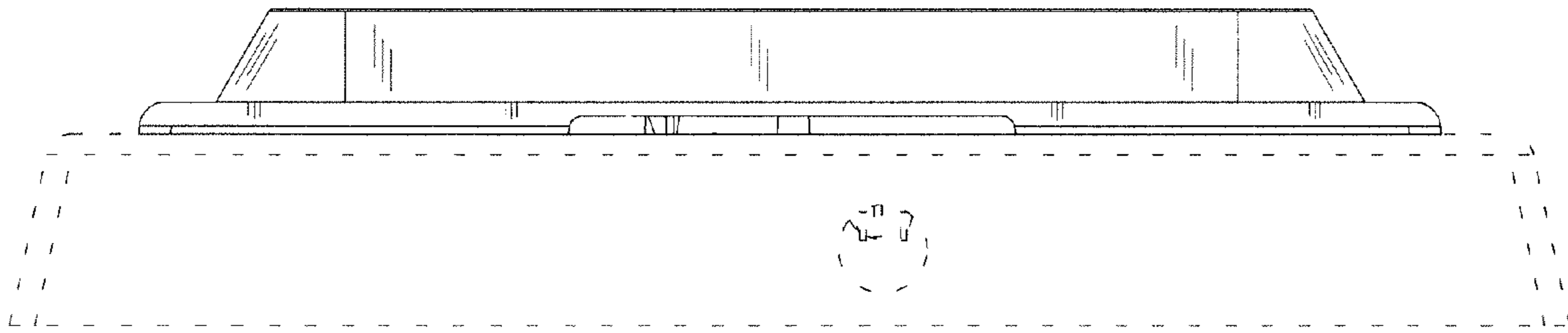


FIG. 6