



US00D580123S

(12) **United States Design Patent**  
**Ito et al.**

(10) **Patent No.:** **US D580,123 S**  
(45) **Date of Patent:** **\*\* Nov. 4, 2008**

(54) **BELT CONVEYOR**

(75) Inventors: **Takafumi Ito**, Tokyo (JP); **Masahiro Egi**, Tokyo (JP); **Robert Ogburn**, Stafford, TX (US)

(73) Assignee: **Satake Corporation**, Tokyo (JP)

(\*\*) Term: **14 Years**

(21) Appl. No.: **29/301,262**

(22) Filed: **Feb. 20, 2008**

**Related U.S. Application Data**

(62) Division of application No. 29/273,928, filed on Mar. 16, 2007, now Pat. No. Des. 572,875.

(51) **LOC (8) Cl.** ..... **12-05**

(52) **U.S. Cl.** ..... **D34/29**

(58) **Field of Classification Search** ..... D34/29,  
D34/35; 198/624, 643; 193/35 R, 37; 209/314,  
209/399, 405, 332

See application file for complete search history.

(56) **References Cited**

**U.S. PATENT DOCUMENTS**

D139,042 S *	10/1944	Pabst	.....	D34/29
D203,607 S *	2/1966	Pfister	.....	D21/533
3,454,162 A *	7/1969	Cover	.....	209/269
5,242,583 A *	9/1993	Thomas	.....	210/161
D353,701 S *	12/1994	Beavers et al.	.....	D34/32
D418,656 S *	1/2000	Andersson	.....	D34/29

D423,748 S \* 4/2000 Neuwirth et al. .... D34/29  
2003/0019714 A1 \* 1/2003 Shaw et al. .... 193/37

\* cited by examiner

*Primary Examiner*—Cynthia E Ramirez

(74) *Attorney, Agent, or Firm*—Chapman and Cutler LLP

(57) **CLAIM**

The ornamental design for a belt conveyor, as shown and described.

**DESCRIPTION**

FIG. 1 is perspective view of a first embodiment of the belt conveyor constructed in accordance with our design;

FIG. 2 is a front view thereof;

FIG. 3 is a rear view thereof;

FIG. 4 is an enlarged left side view thereof;

FIG. 5 is a top plan view thereof;

FIG. 6 is a bottom plan view thereof;

FIG. 7 is a perspective view of a second embodiment of the belt conveyor constructed in accordance with our design;

FIG. 8 is a front view thereof;

FIG. 9 is a rear view thereof;

FIG. 10 is an enlarged left side view thereof;

FIG. 11 is a top plan view thereof; and,

FIG. 12 is a bottom plan view thereof.

**1 Claim, 7 Drawing Sheets**

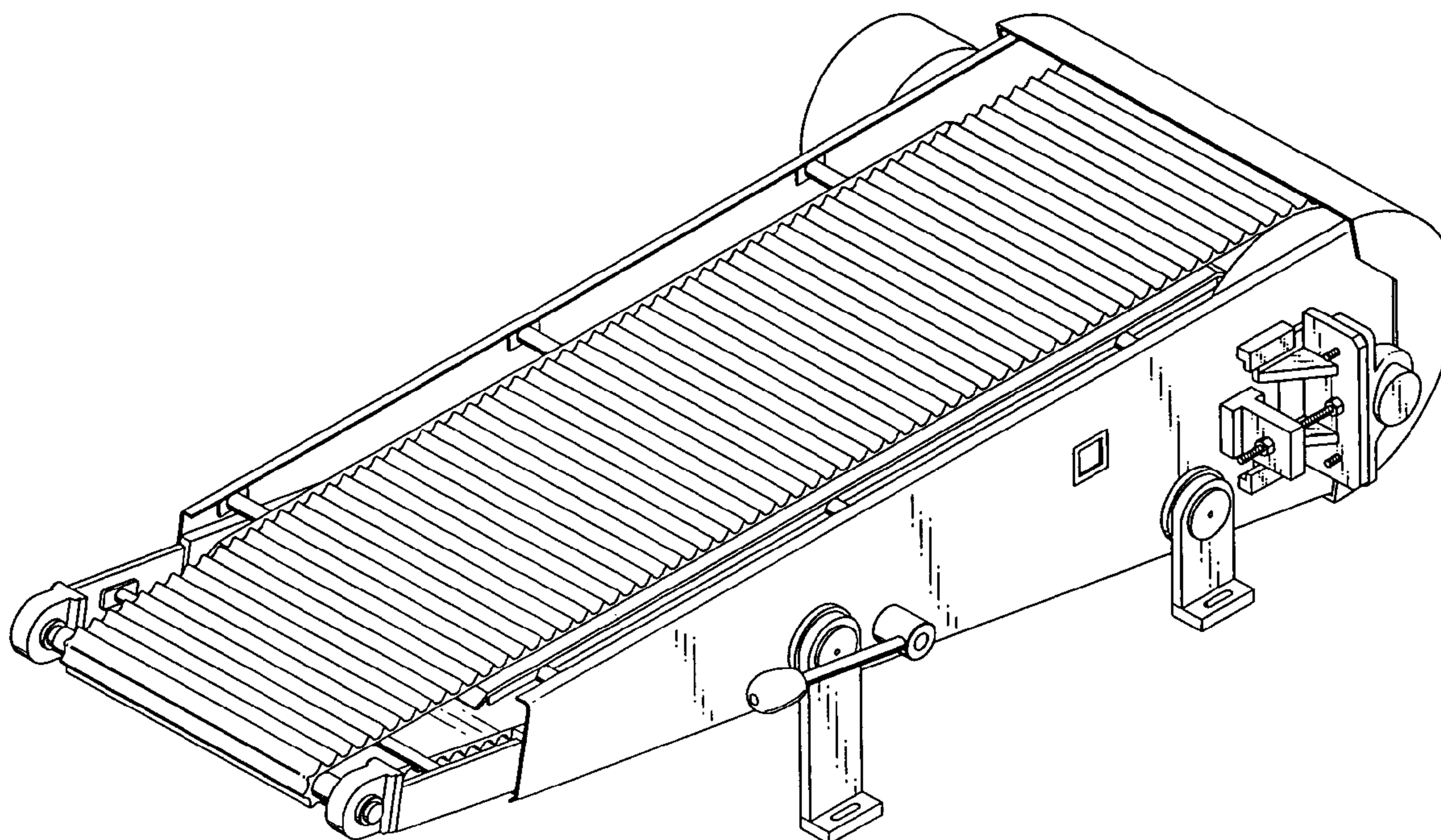


FIG. 1

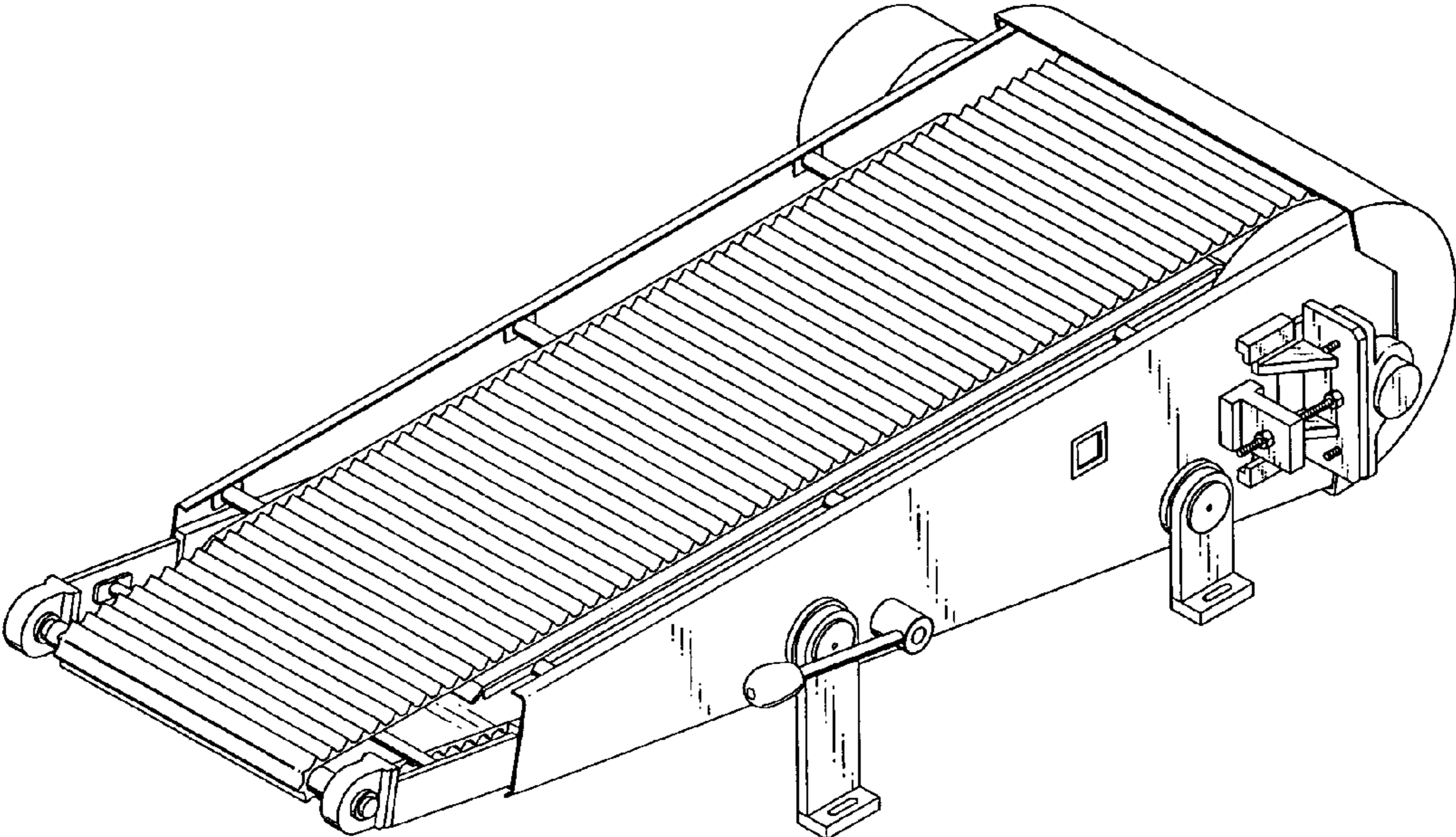


FIG. 2

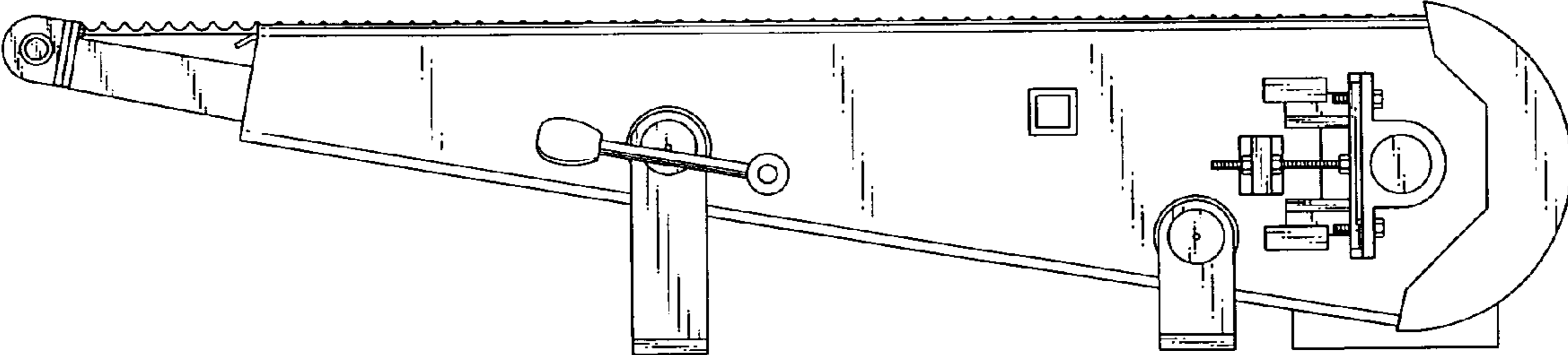


FIG. 3

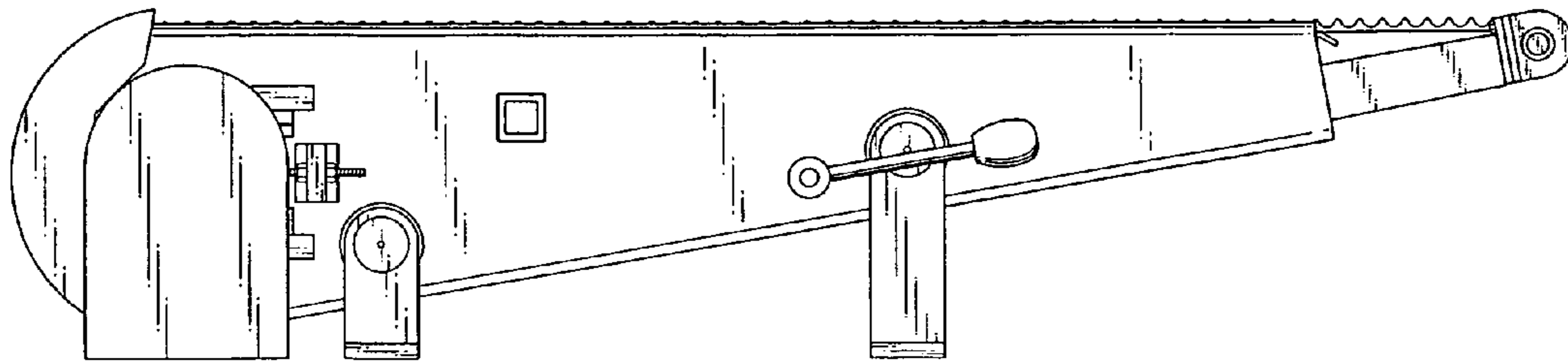


FIG. 5

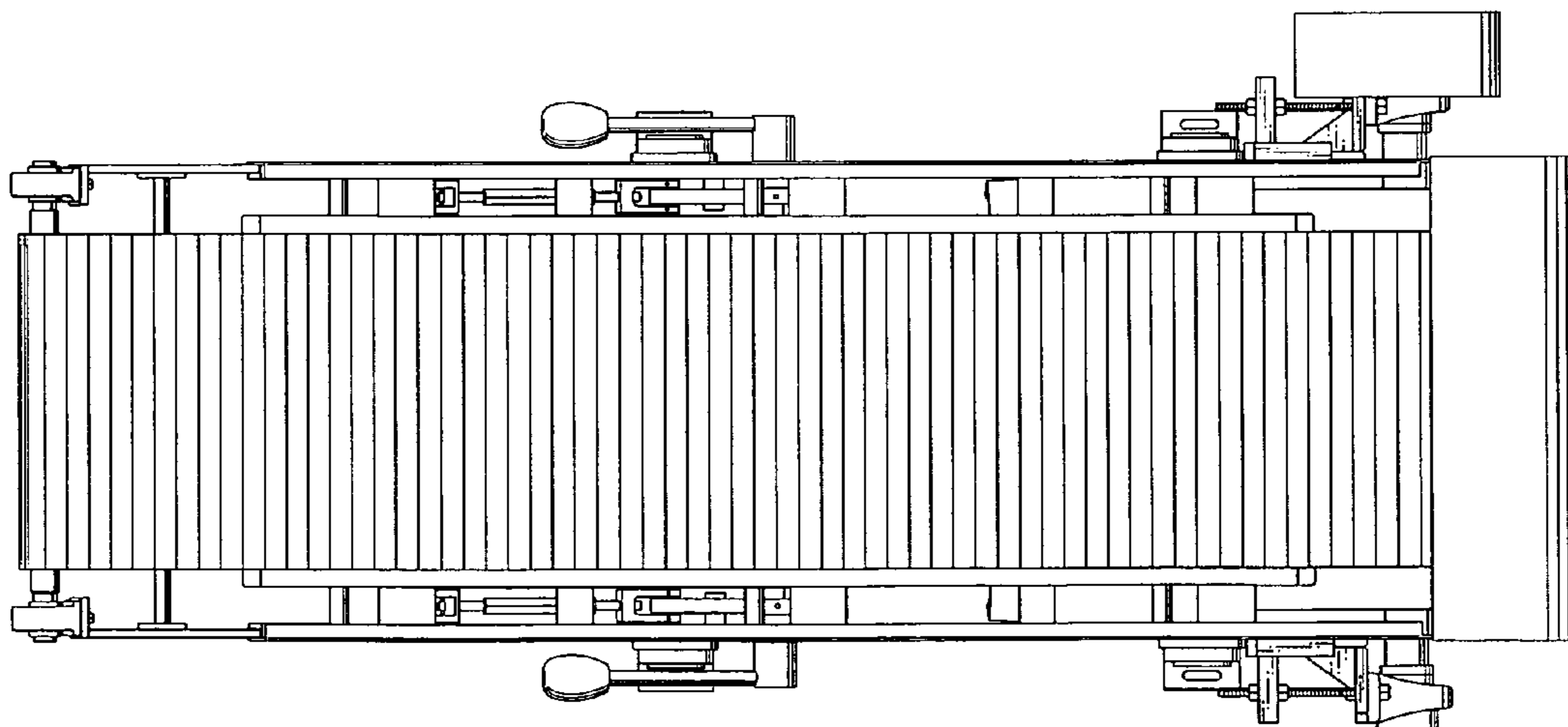


FIG. 4

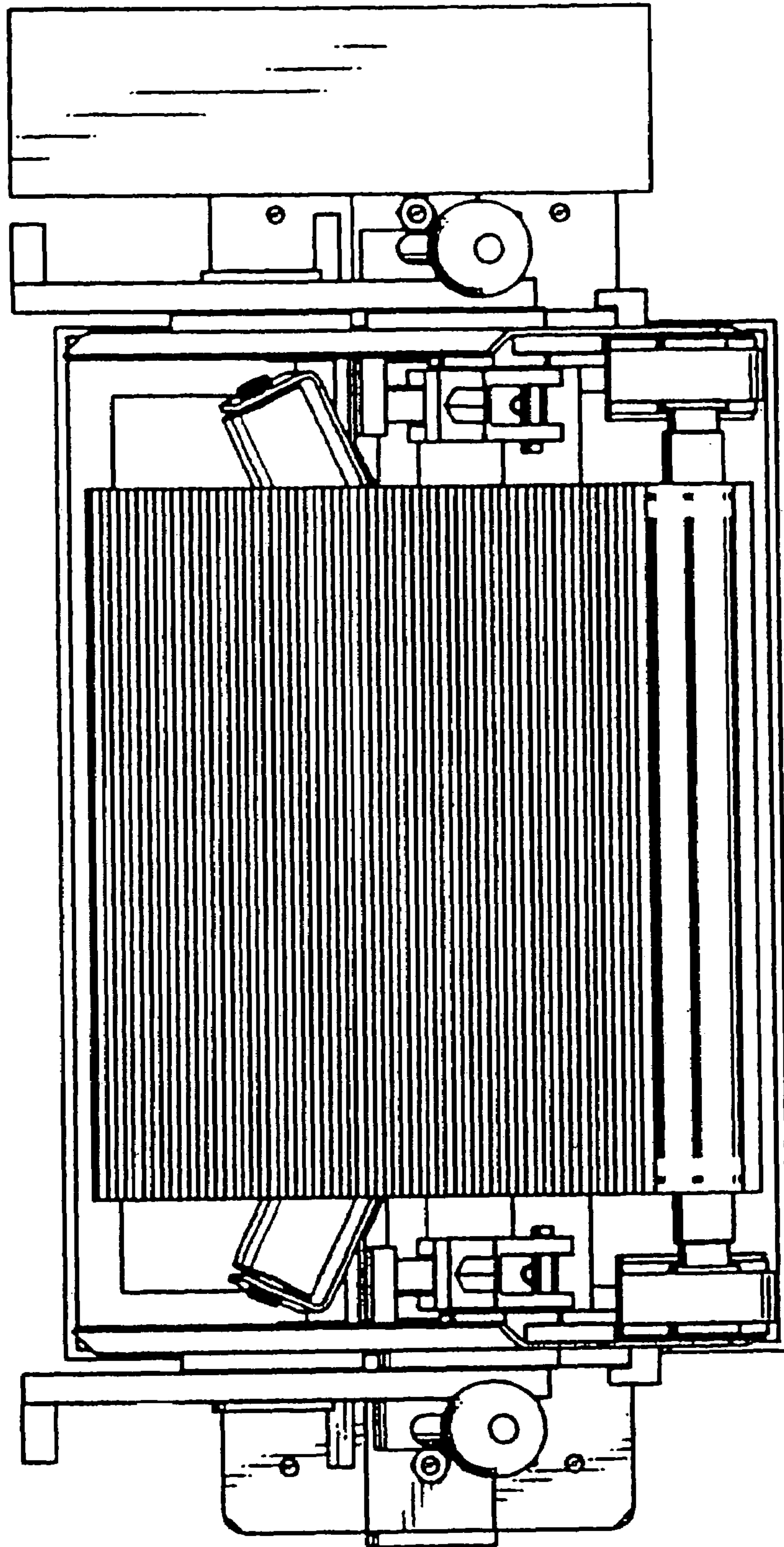


FIG. 6

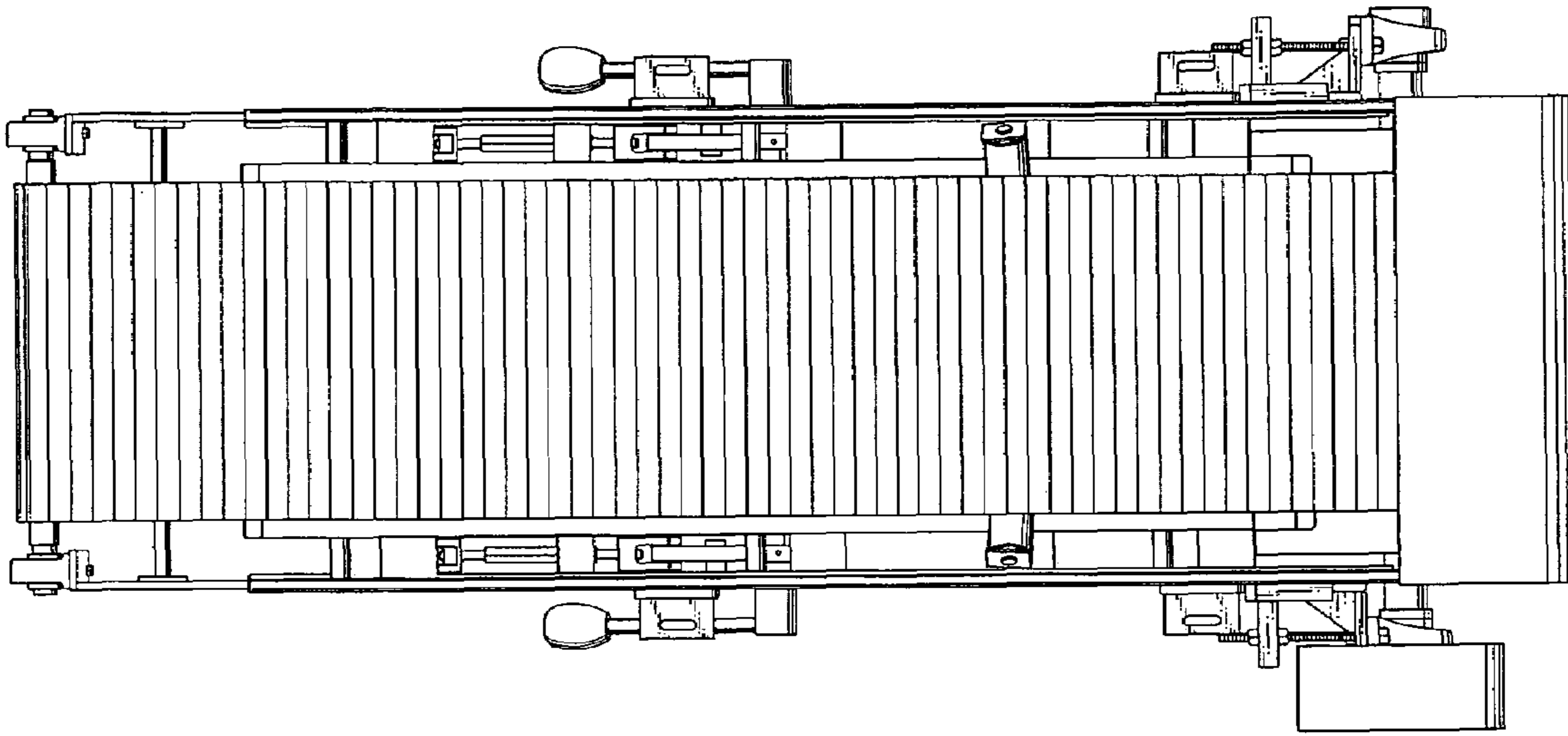


FIG. 7

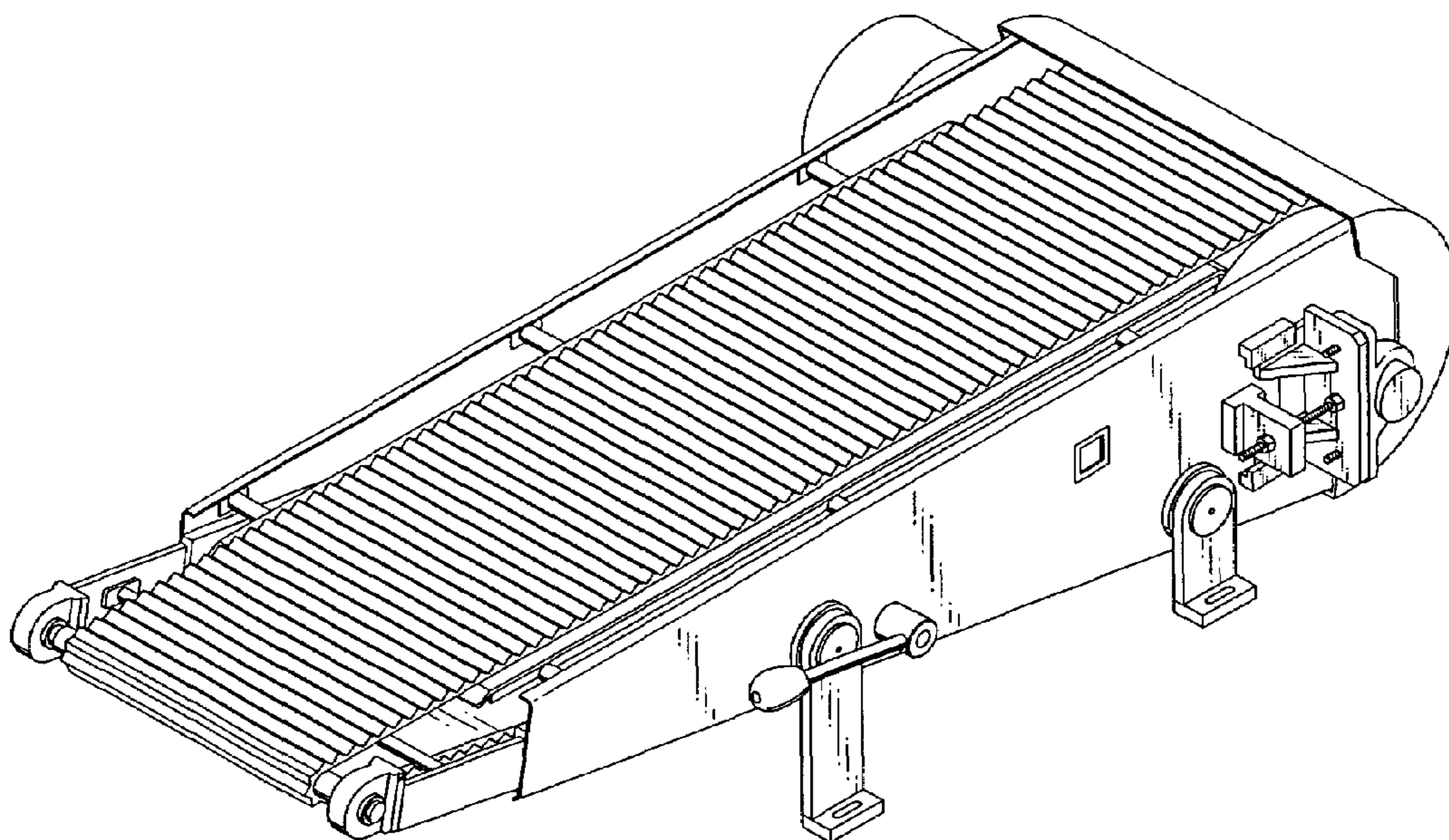


FIG.8

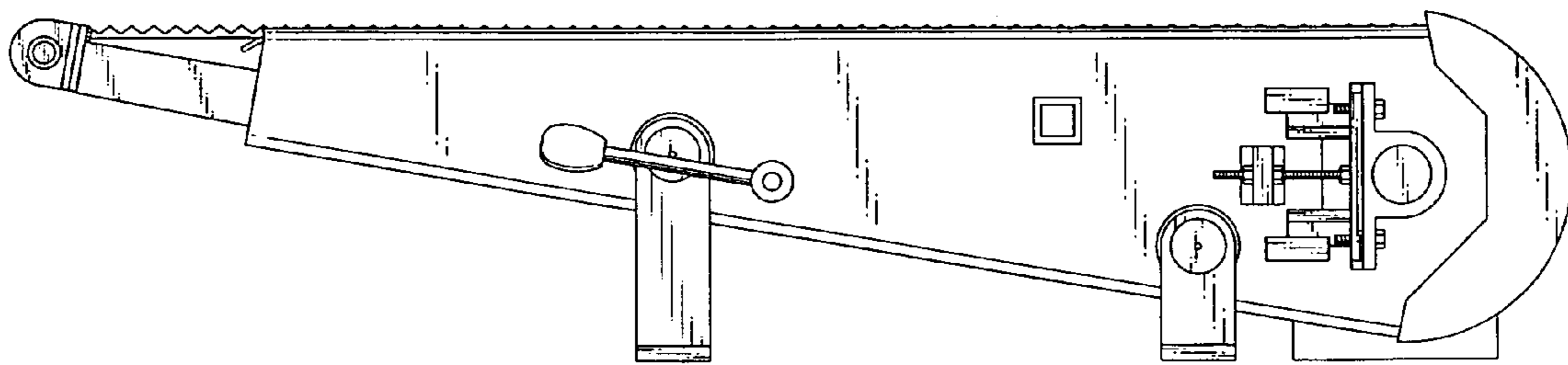


FIG.9

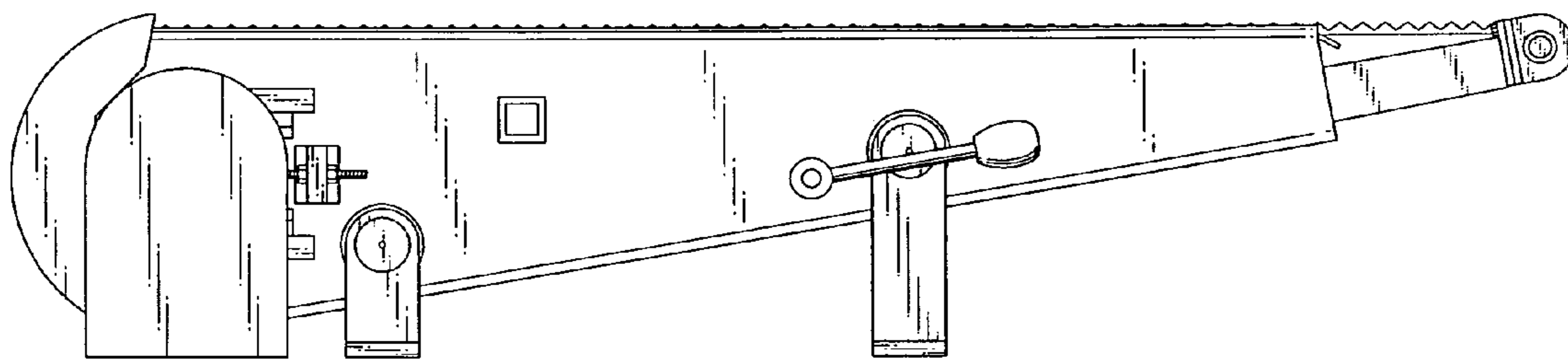


FIG.10

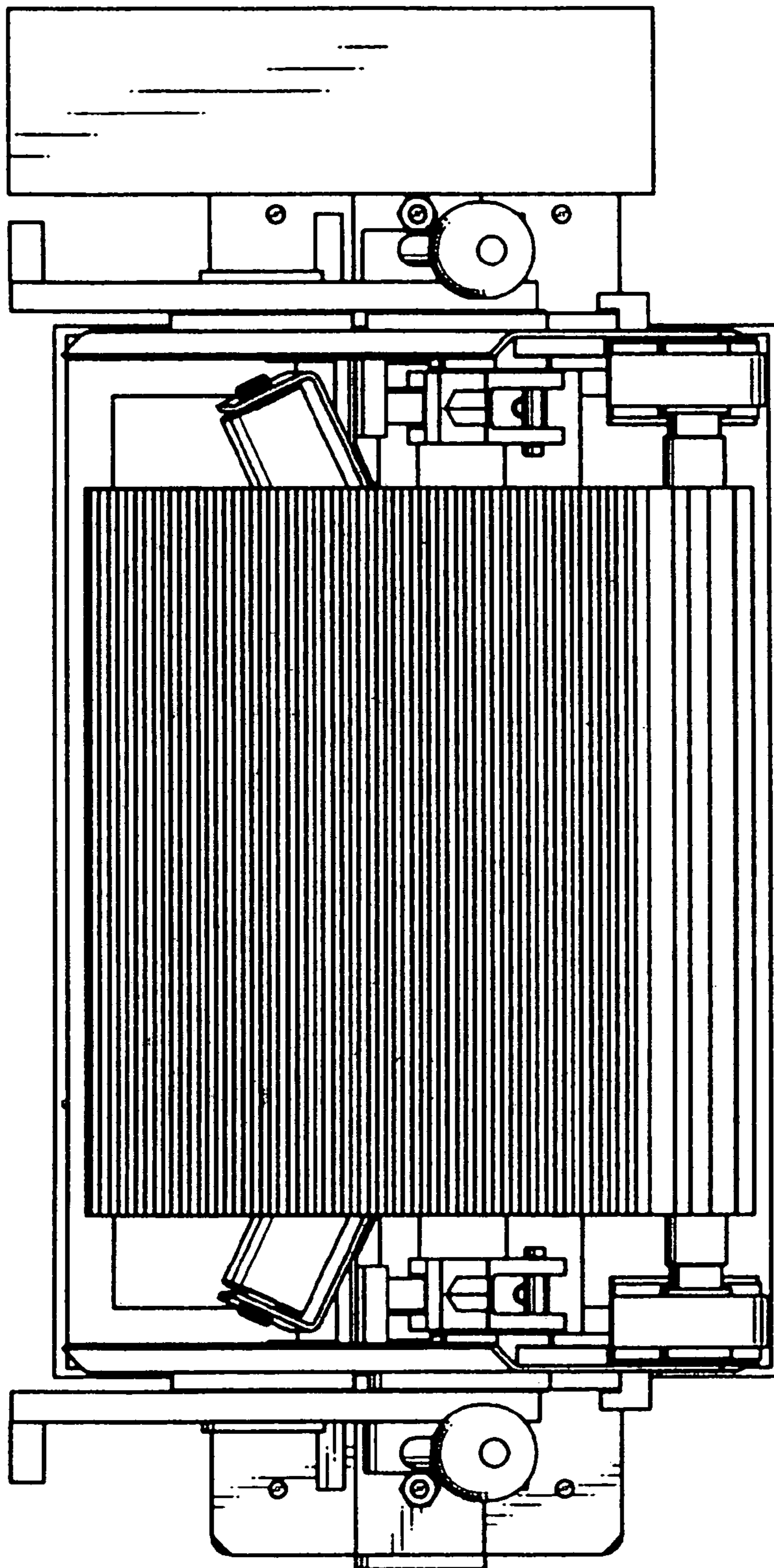


FIG.11

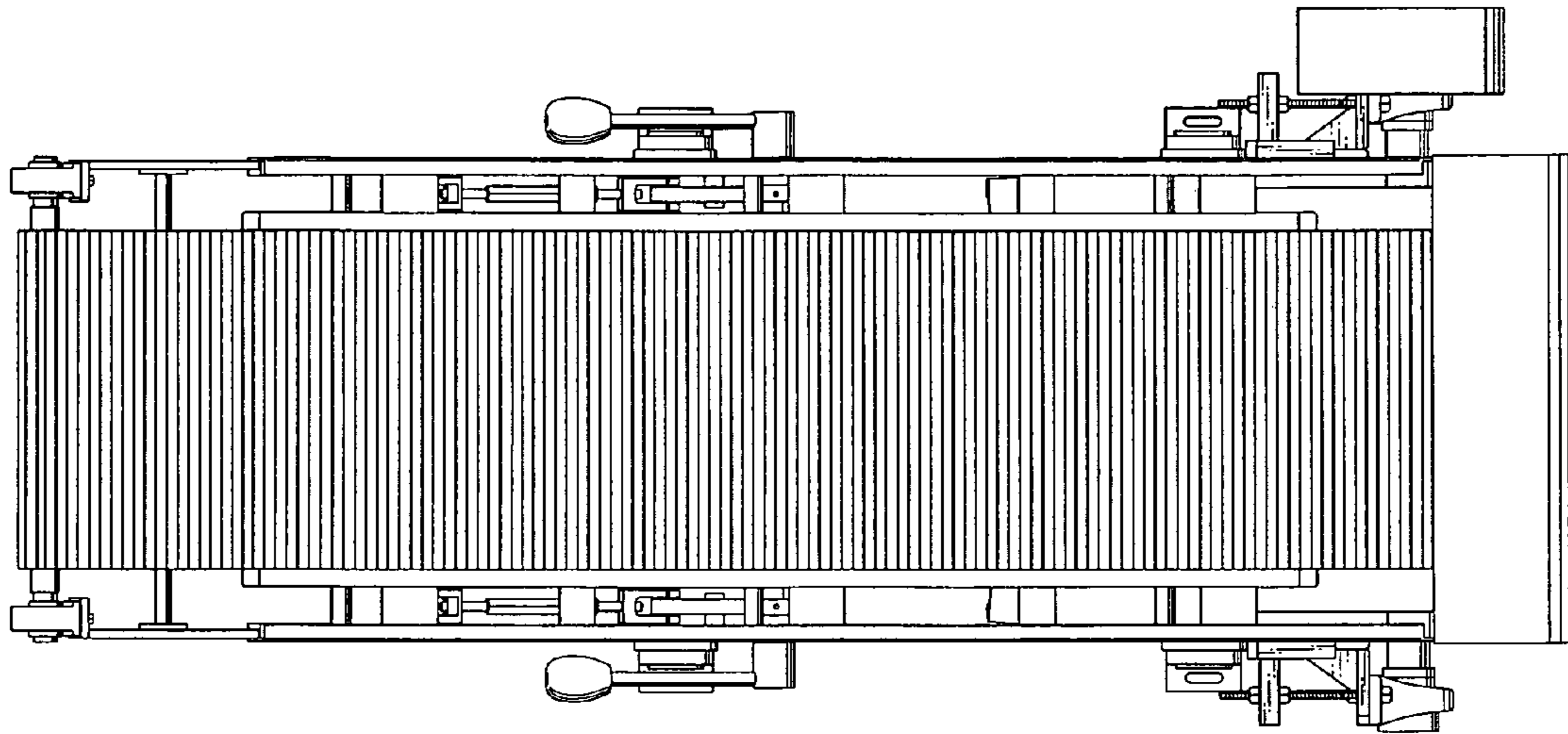


FIG.12

