



US00D580116S

(12) **United States Design Patent**
Santiago et al.

(10) **Patent No.:** **US D580,116 S**

(45) **Date of Patent:** **** Nov. 4, 2008**

(54) **WAND GRIP**

(75) Inventors: **Jose Carlito Santiago**, Grand Rapids, MI (US); **Douglas J. Medema**, Belding, MI (US)

(73) Assignee: **Bissell Homecare, Inc.**, Grand Rapids, MI (US)

(**) Term: **14 Years**

(21) Appl. No.: **29/277,784**

(22) Filed: **Mar. 9, 2007**

(51) **LOC (8) Cl.** **15-05**

(52) **U.S. Cl.** **D32/34**

(58) **Field of Classification Search** D32/21-24, D32/31, 34, 16, 30; 15/320-321, 323, 327.1-327.7, 15/329, 335, 340.2, 351, 353, 361, 410-412, 15/246.2, 246.5, DIG. 10, 347, 350; 285/7; 55/DIG. 3, 345, 337, 459.1, 418, 471, 318, 55/429; 95/271

See application file for complete search history.

(56) **References Cited**

U.S. PATENT DOCUMENTS

D333,023 S * 2/1993 Herron, Jr. D32/34
5,551,731 A * 9/1996 Gray et al. 285/7

D406,422 S * 3/1999 Burchard et al. D32/34
D488,271 S * 4/2004 Schroter D32/31
D494,333 S * 8/2004 Schroter D32/34
7,143,466 B2 * 12/2006 Kess 15/323
D543,325 S * 5/2007 Burnham D32/34

* cited by examiner

Primary Examiner—Ruth McInroy

(74) *Attorney, Agent, or Firm*—McGarry Bair PC

(57) **CLAIM**

The ornamental design for a wand grip, as shown and described.

DESCRIPTION

FIG. 1 is a front-right side perspective view of a wand grip which embodies our design;

FIG. 2 is a front view thereof;

FIG. 3 is a rear view thereof;

FIG. 4 is a right side view thereof;

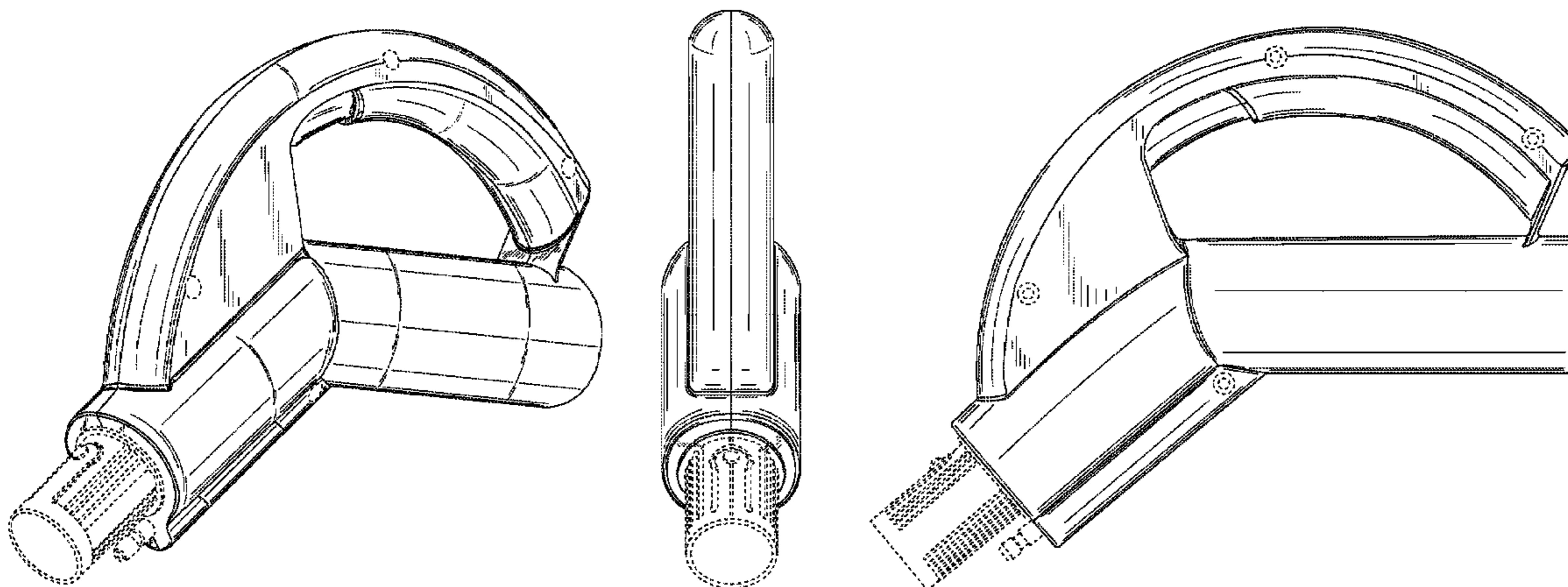
FIG. 5 is a left side view thereof;

FIG. 6 is a top view thereof; and,

FIG. 7 is a bottom view thereof.

The broken lines shown in the drawings are for illustrative purposes only and form no part of the claimed design.

1 Claim, 5 Drawing Sheets



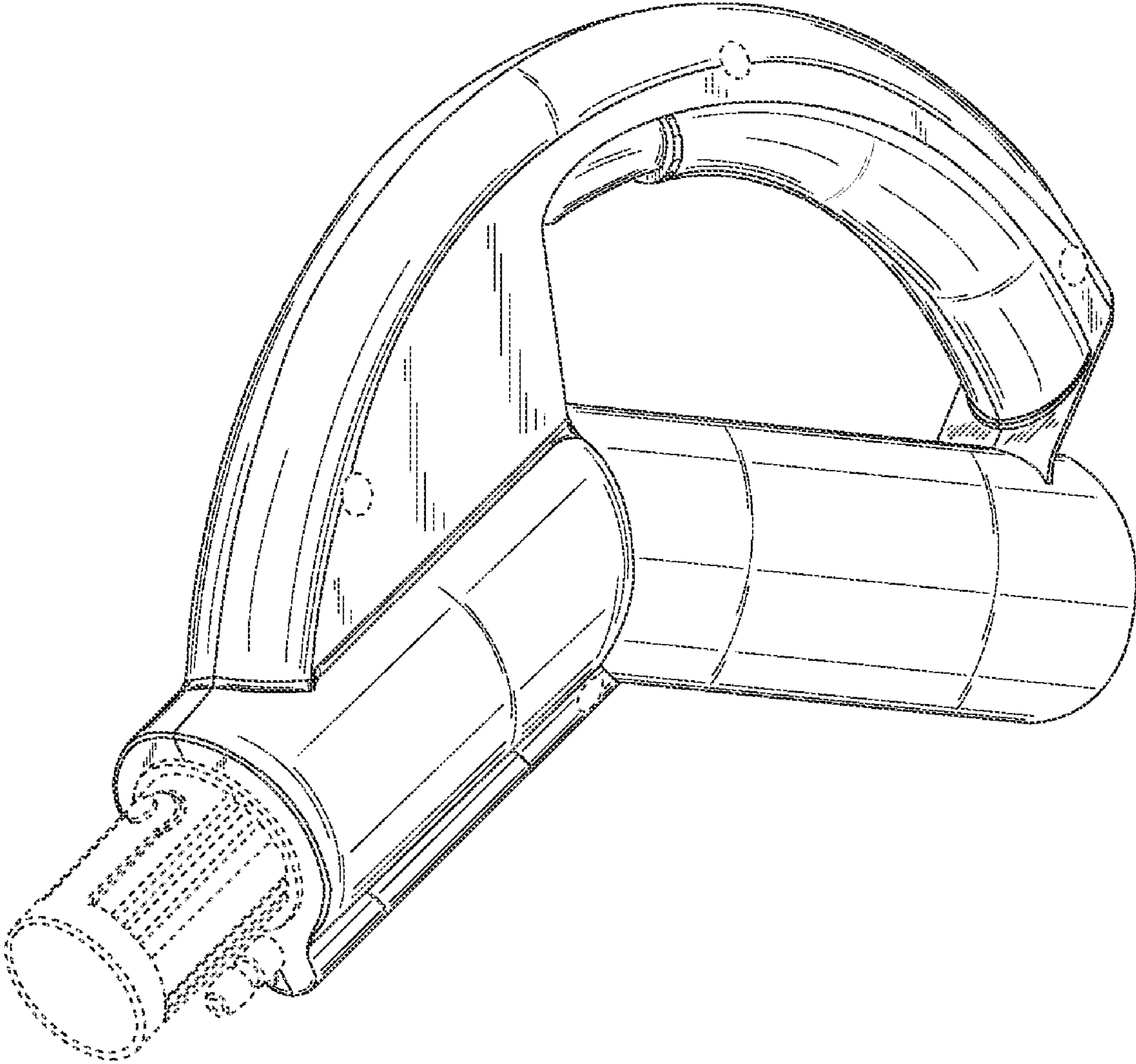


Fig. 1

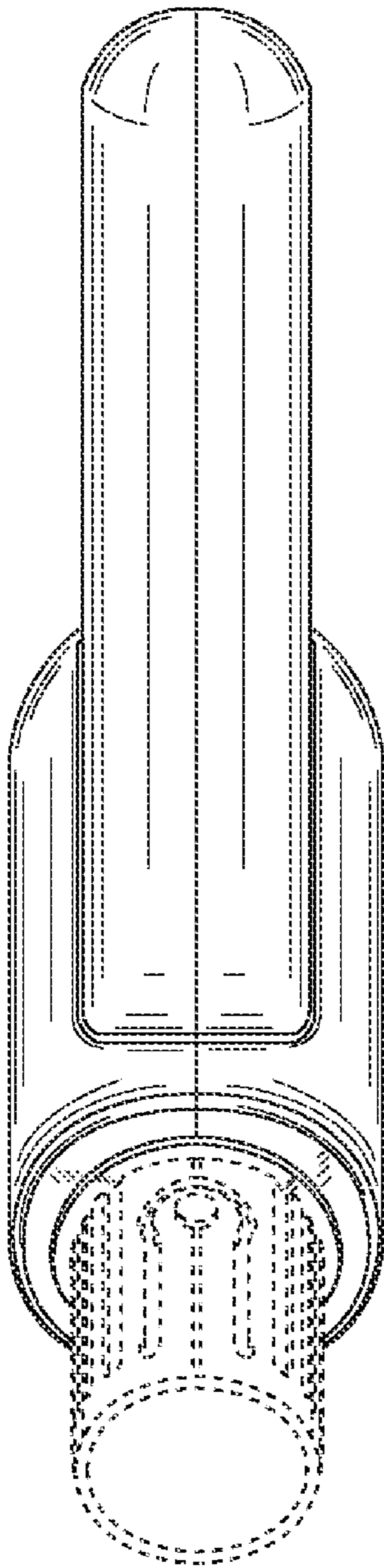


Fig. 2

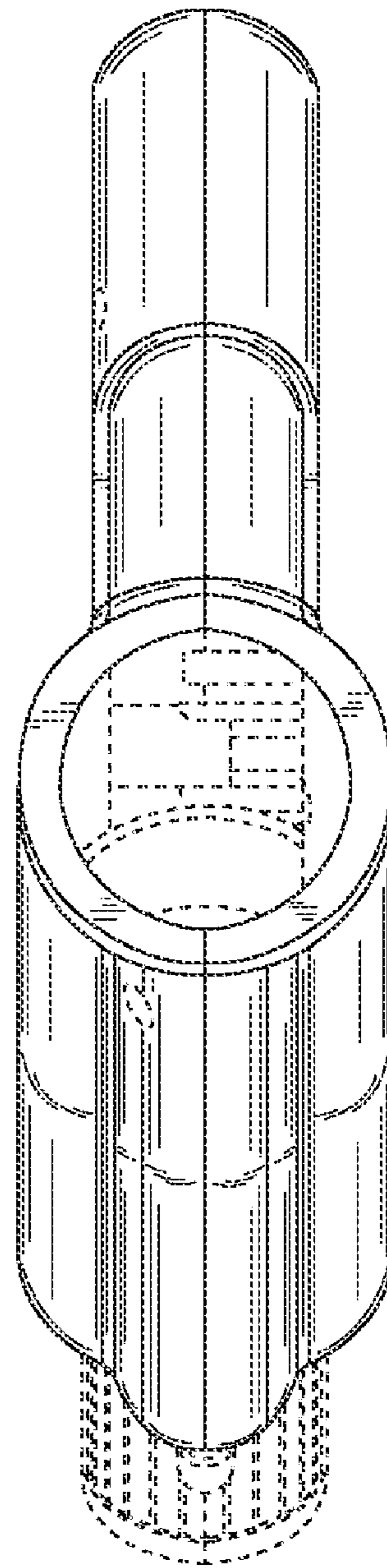


Fig. 3

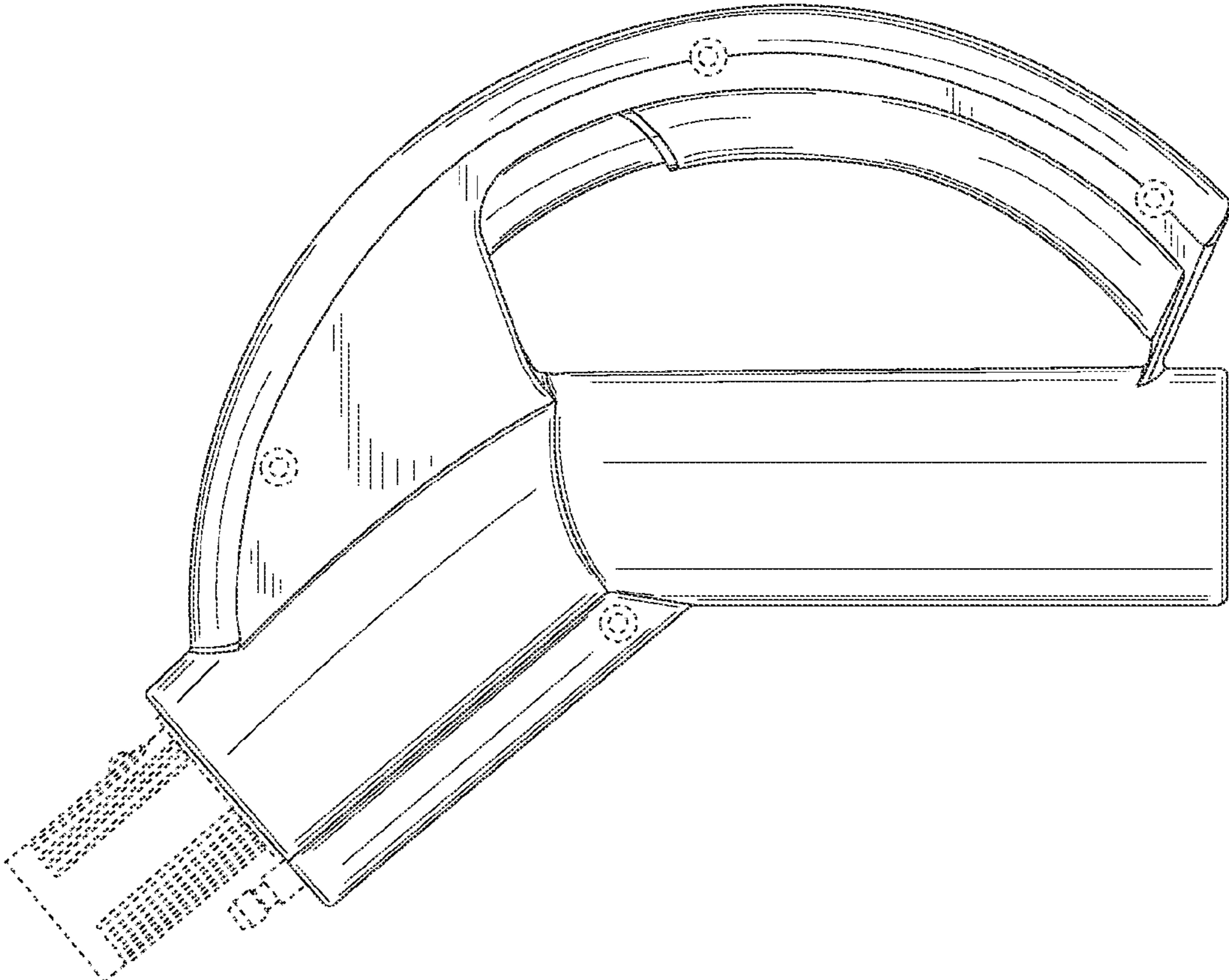


Fig. 4

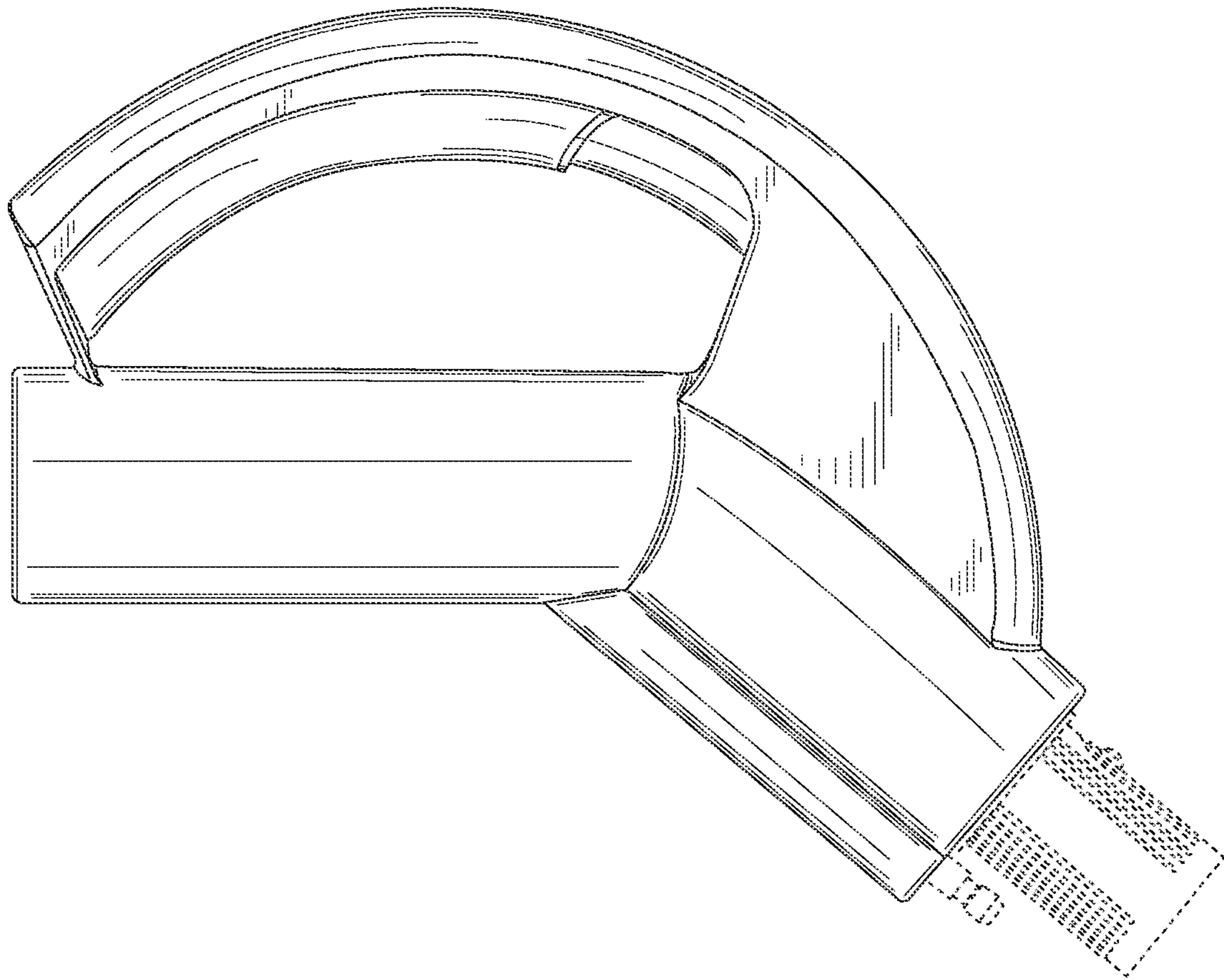


Fig. 5

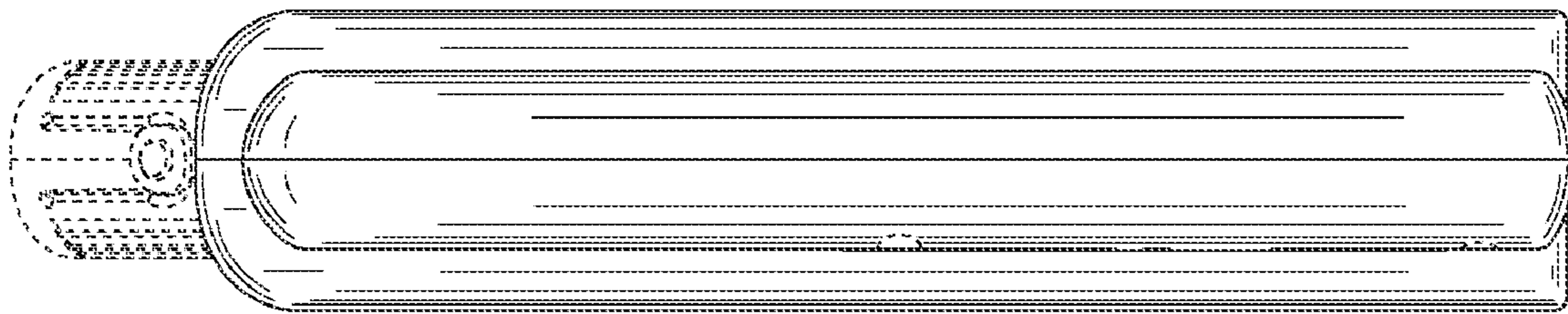


Fig. 6

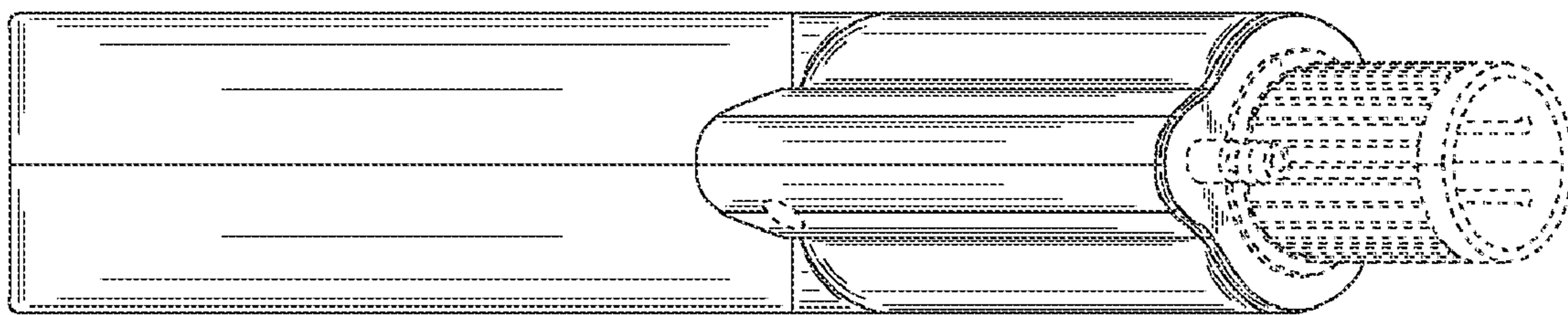


Fig. 7