



US00D580112S

(12) **United States Design Patent**  
**Stiles**

(10) **Patent No.:** **US D580,112 S**

(45) **Date of Patent:** **\*\* Nov. 4, 2008**

(54) **DOG TOY**

(75) Inventor: **Carey B. Stiles**, Milan, OH (US)

(73) Assignee: **Heuter Toledo, Inc.**, Bellevue, OH (US)

(\*\*) Term: **14 Years**

(21) Appl. No.: **29/279,805**

(22) Filed: **May 8, 2007**

(51) **LOC (8) Cl.** ..... **30-99**

(52) **U.S. Cl.** ..... **D30/160; D21/713**

(58) **Field of Classification Search** ..... D30/160;  
119/702, 706-711; D21/707, 713, 714; 473/595,  
473/612, 614

See application file for complete search history.

(56) **References Cited**

**U.S. PATENT DOCUMENTS**

D58,234 S *	6/1921	Holley	.....	D21/707
2,211,330 A *	8/1940	Hochberg	.....	D21/713
4,006,908 A *	2/1977	Minami	.....	473/200
4,919,422 A *	4/1990	Ma	.....	473/613
5,133,550 A *	7/1992	Handy	.....	473/596
D335,906 S *	5/1993	Hellerman	.....	D21/712
D348,915 S *	7/1994	Fraser	.....	D21/707
D351,203 S *	10/1994	Handy	.....	D21/713
5,480,143 A *	1/1996	McMurry	.....	473/571

D372,750 S *	8/1996	Schloss	.....	D21/707
5,676,611 A *	10/1997	Foster et al.	.....	473/613
D408,482 S *	4/1999	Morrison	.....	D21/708
D453,240 S *	1/2002	Simon	.....	D30/160
D456,959 S *	5/2002	Simon	.....	D30/160
D468,378 S *	1/2003	Routzong	.....	D21/707
D511,029 S *	10/2005	Willinger	.....	D30/160
D513,096 S *	12/2005	Stiles	.....	D30/160
D536,757 S *	2/2007	Hedeem, Jr.	.....	D21/712
D539,367 S *	3/2007	Jones	.....	D21/713
2005/0176532 A1 *	8/2005	Thorington	.....	473/595

\* cited by examiner

*Primary Examiner*—Cathy Anne MacCormac

(74) *Attorney, Agent, or Firm*—Fraser Clemens Martin & Miller LLC; Donald R. Fraser

(57) **CLAIM**

The ornamental design for a dog toy, as shown and described.

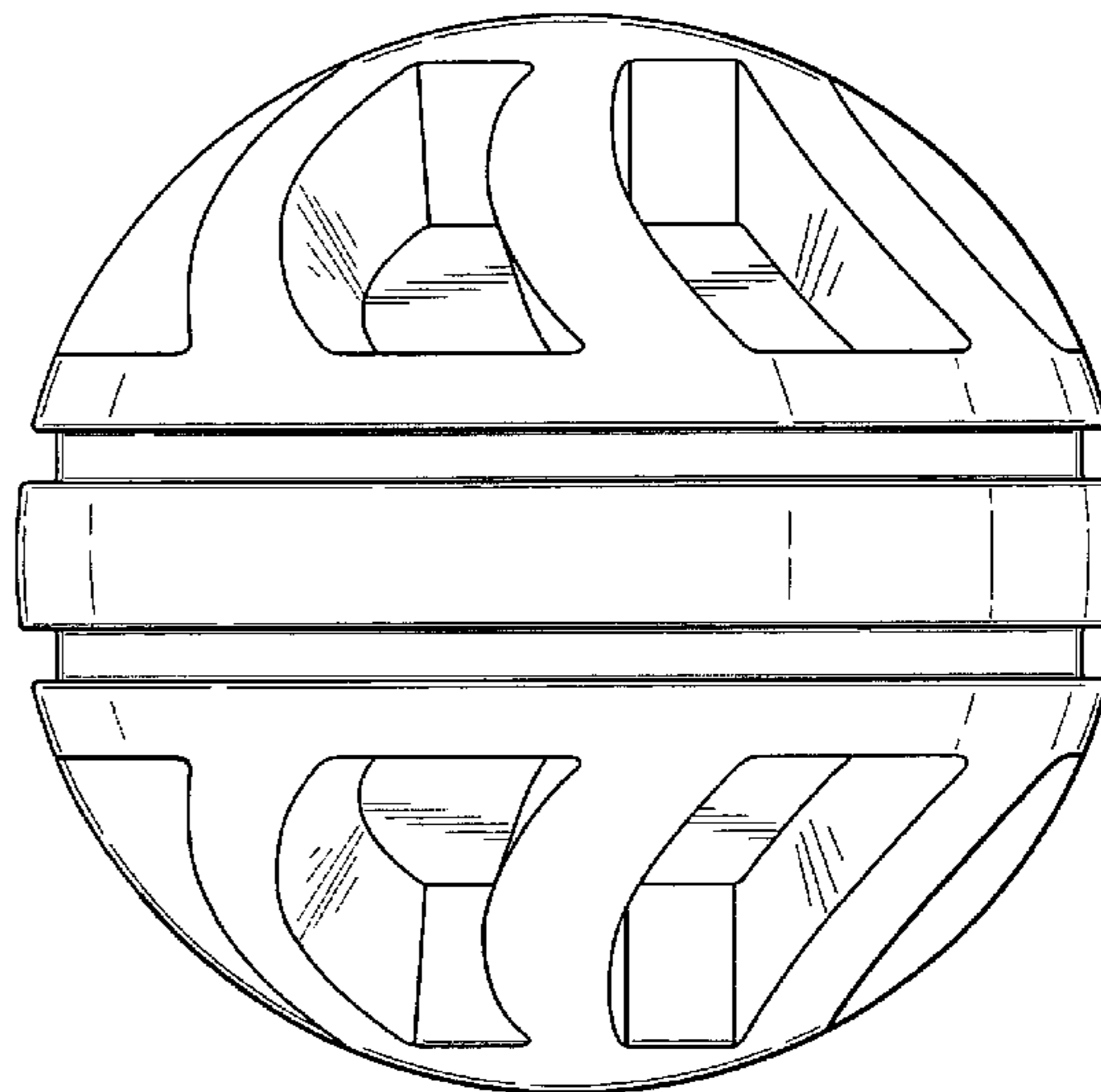
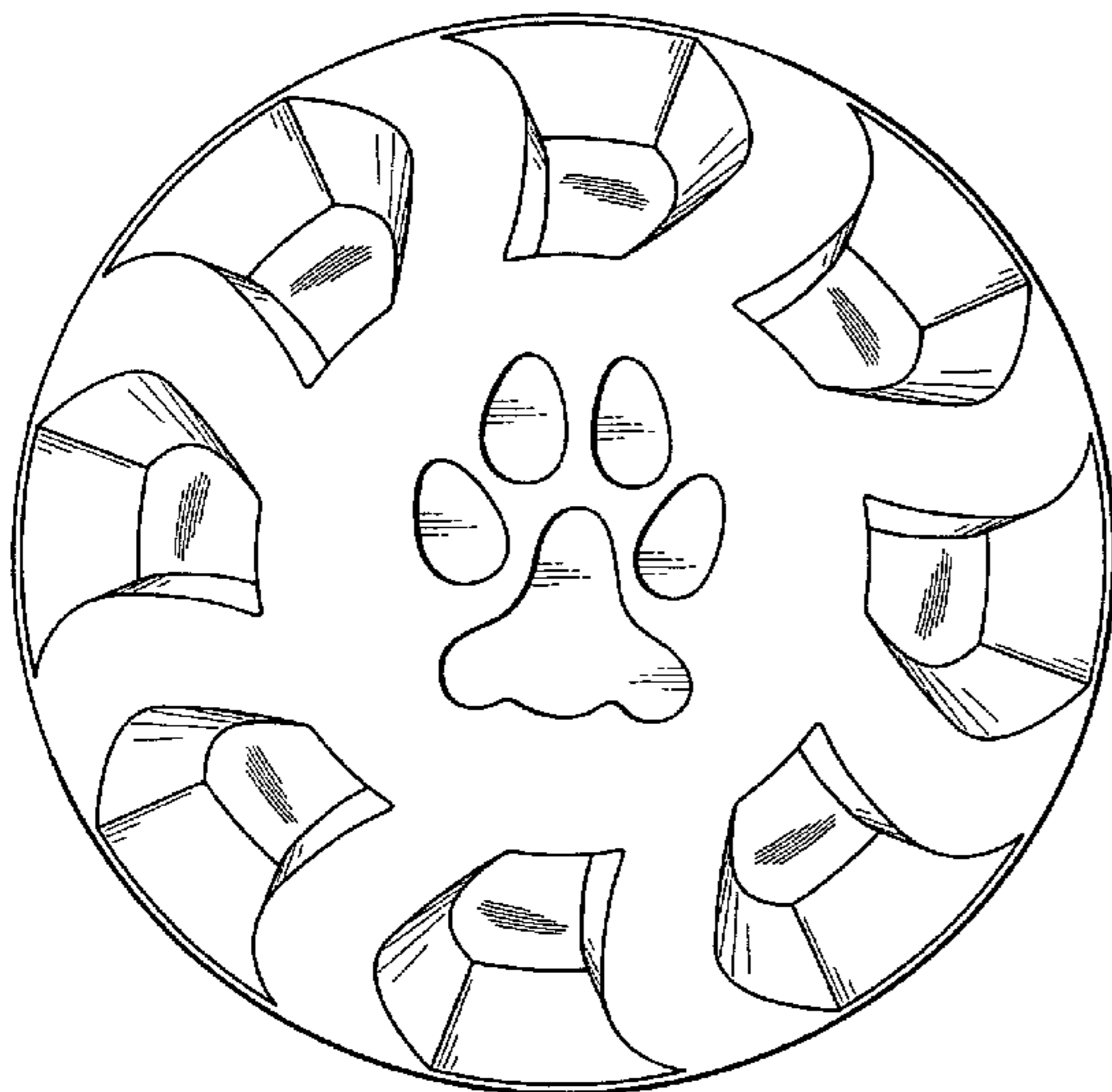
**DESCRIPTION**

FIG. 1 is a top plan view of a ball incorporating my new design;

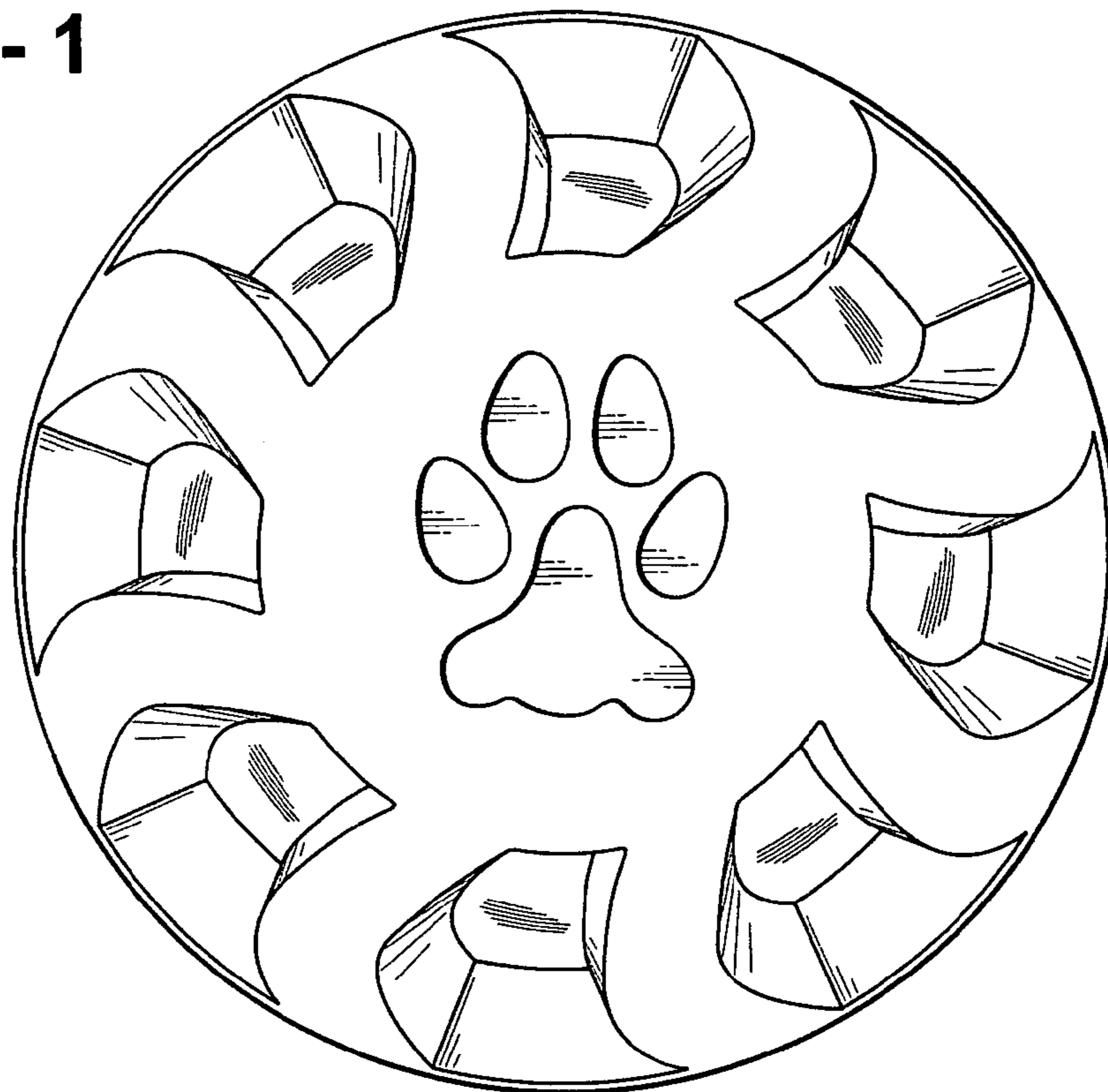
FIG. 2 is a bottom plan view thereof; and,

FIG. 3 is a front elevational view thereof, the left side elevational view, the right side elevational view, and the rear elevational view are identical to FIG. 3.

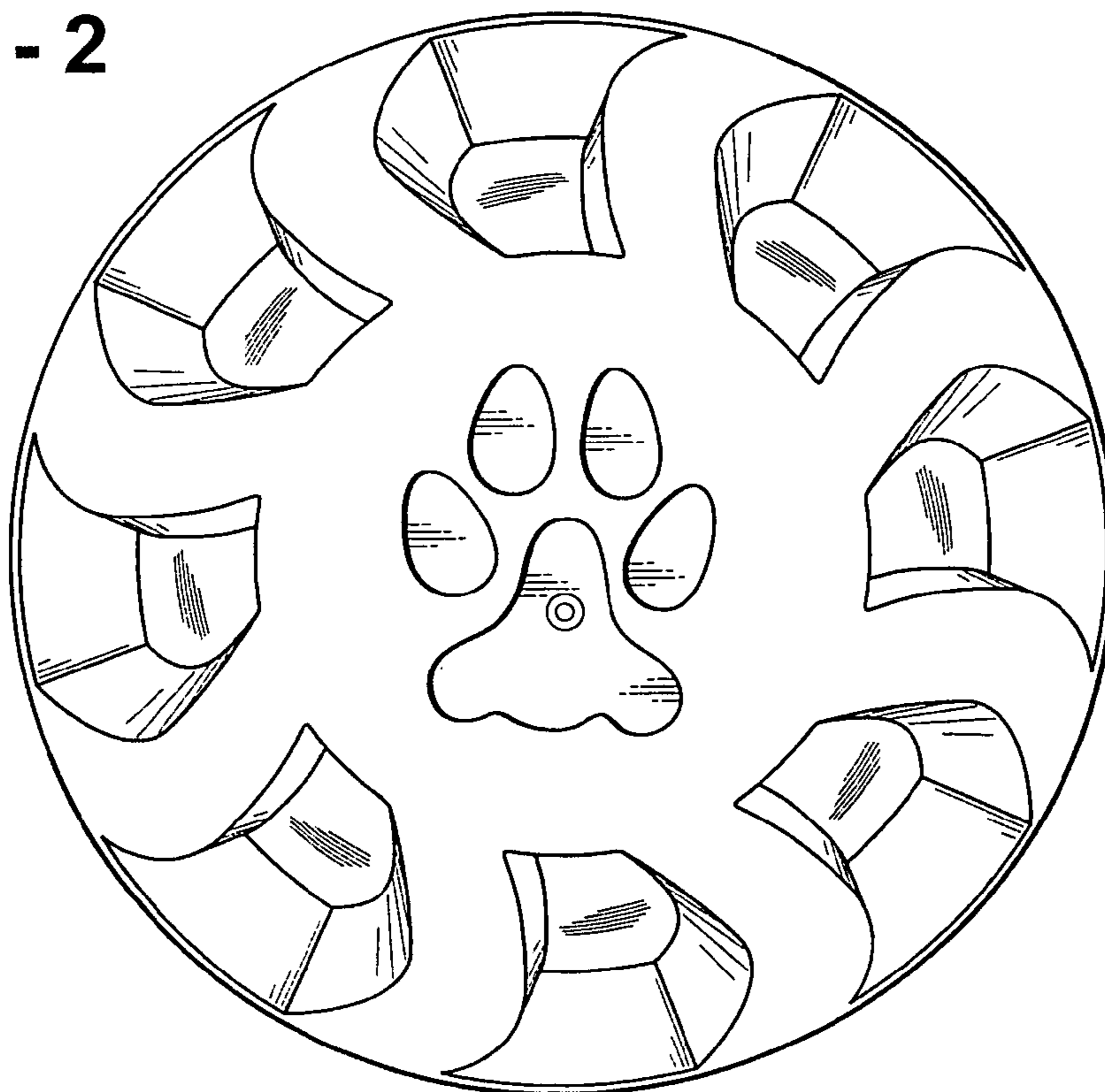
**1 Claim, 2 Drawing Sheets**



**FIG - 1**



**FIG - 2**



**FIG - 3**

