



US00D580110S

(12) **United States Design Patent**
Tsengas

(10) **Patent No.:** **US D580,110 S**
(45) **Date of Patent:** **** Nov. 4, 2008**

(54) **PORTABLE PET FEEDER**

(75) Inventor: **Steven Tsengas**, Fairport Harbor, OH
(US)

(73) Assignee: **Ourpet's Company**, Fairport Harbor,
OH (US)

(**) Term: **14 Years**

(21) Appl. No.: **29/284,124**

(22) Filed: **Aug. 31, 2007**

(51) **LOC (8) Cl.** **30-03**

(52) **U.S. Cl.** **D30/133**

(58) **Field of Classification Search** D30/121,
D30/122, 129-133; 119/61.5, 51.01, 61.56,
119/51.03, 59, 62, 63, 51.5, 57.8, 74, 61.54,
119/61.55, 61.57, 61.53, 61.1, 61.3, 58, 61.2;
312/204; 248/151, 188, 315; 108/153.1-157;
220/23.87, 630, 737, 743, 9.4, 495.01, 574,
220/212, 255, 23.83, 23.4, 555, 592.25, 915.2,
220/902, 592.21, 735, 23.88, 694; 206/515,
206/223, 584, 545, 523; D7/586, 543, 550.1,
D7/587, 505, 584, 545, 500, 553.1-553.8,
D7/546, 555, 556, 504, 565, 562, 602, 704-706,
D7/621, 600, 601, 407, 402, 607, 709, 701;
D9/429; 43/109; D22/122; 99/430, DIG. 15;
294/160, 143, 1.3, 146; 211/74; 383/33,
383/110, 20, 43, 97, 25; 150/119; 224/610,
224/616, 617, 622; D3/289, 287, 268, 292,
D3/285, 283, 286; D12/411
See application file for complete search history.

(56) **References Cited**

U.S. PATENT DOCUMENTS

D218,908 S * 10/1970 Bright et al. D7/605
D232,103 S * 7/1974 Suzuki D30/130
3,915,304 A * 10/1975 Pasco et al. 206/545
4,065,195 A * 12/1977 Fahmie 312/258
4,350,274 A * 9/1982 Morgan 224/610

4,598,746 A * 7/1986 Rabinowitz 383/25
D291,643 S * 9/1987 Morris D7/605
4,805,776 A * 2/1989 Namgyal et al. 206/523
D336,218 S * 6/1993 Hague D7/701
5,350,081 A * 9/1994 Graham 220/737
D371,051 S * 6/1996 Melk D7/607
D371,052 S * 6/1996 Melk D7/607
D371,724 S * 7/1996 Melk D7/607
D371,942 S * 7/1996 Lippincott et al. D7/607
D376,044 S * 12/1996 Trawick et al. D3/283
D408,225 S * 4/1999 Hodosh D7/605
D412,269 S * 7/1999 Wyant D7/709
D424,252 S * 5/2000 Hirsh D30/130
D464,235 S * 10/2002 Jeong D7/607
D523,243 S * 6/2006 Nashmy D3/285
7,124,709 B1 * 10/2006 Greer 119/61.5

* cited by examiner

Primary Examiner—Melanie H Tung

Assistant Examiner—Susan Moon Lee

(74) *Attorney, Agent, or Firm*—John D. Gugliotta

(57)

CLAIM

The ornamental design for a portable pet feeder, as shown and described.

DESCRIPTION

FIG. 1 is a perspective view of a portable pet feeder shown assembled;

FIG. 2 is a front elevational view thereof;

FIG. 3 is a rear elevational view thereof;

FIG. 4 is a left side elevational view thereof;

FIG. 5 is a right side elevational view thereof;

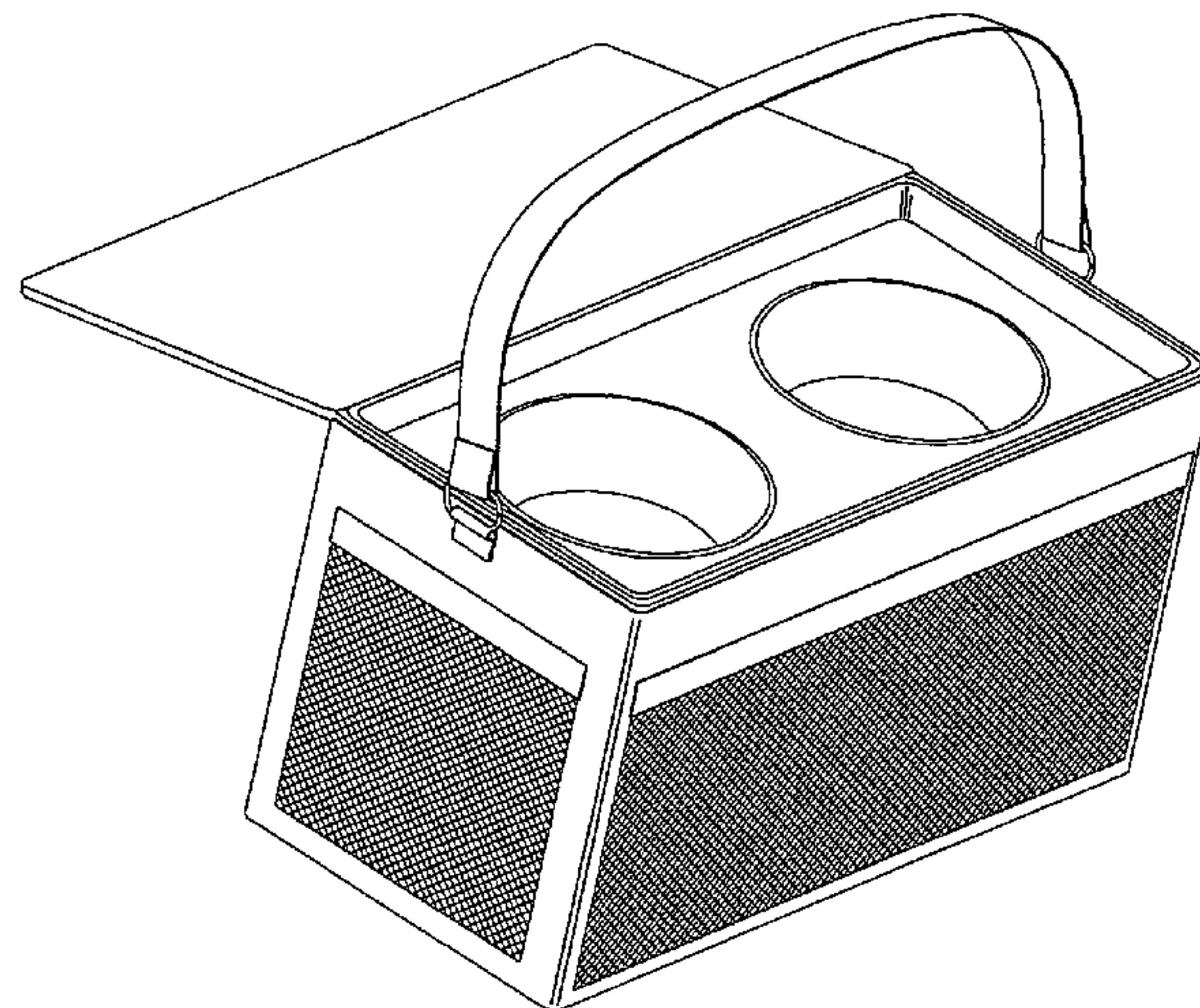
FIG. 6 is a top plan view thereof;

FIG. 7 is a bottom plan view thereof;

FIG. 8 is a front perspective view of the portable pet feeder, shown in an open condition; and,

FIG. 9 is a partially exploded front perspective view thereof.

1 Claim, 5 Drawing Sheets



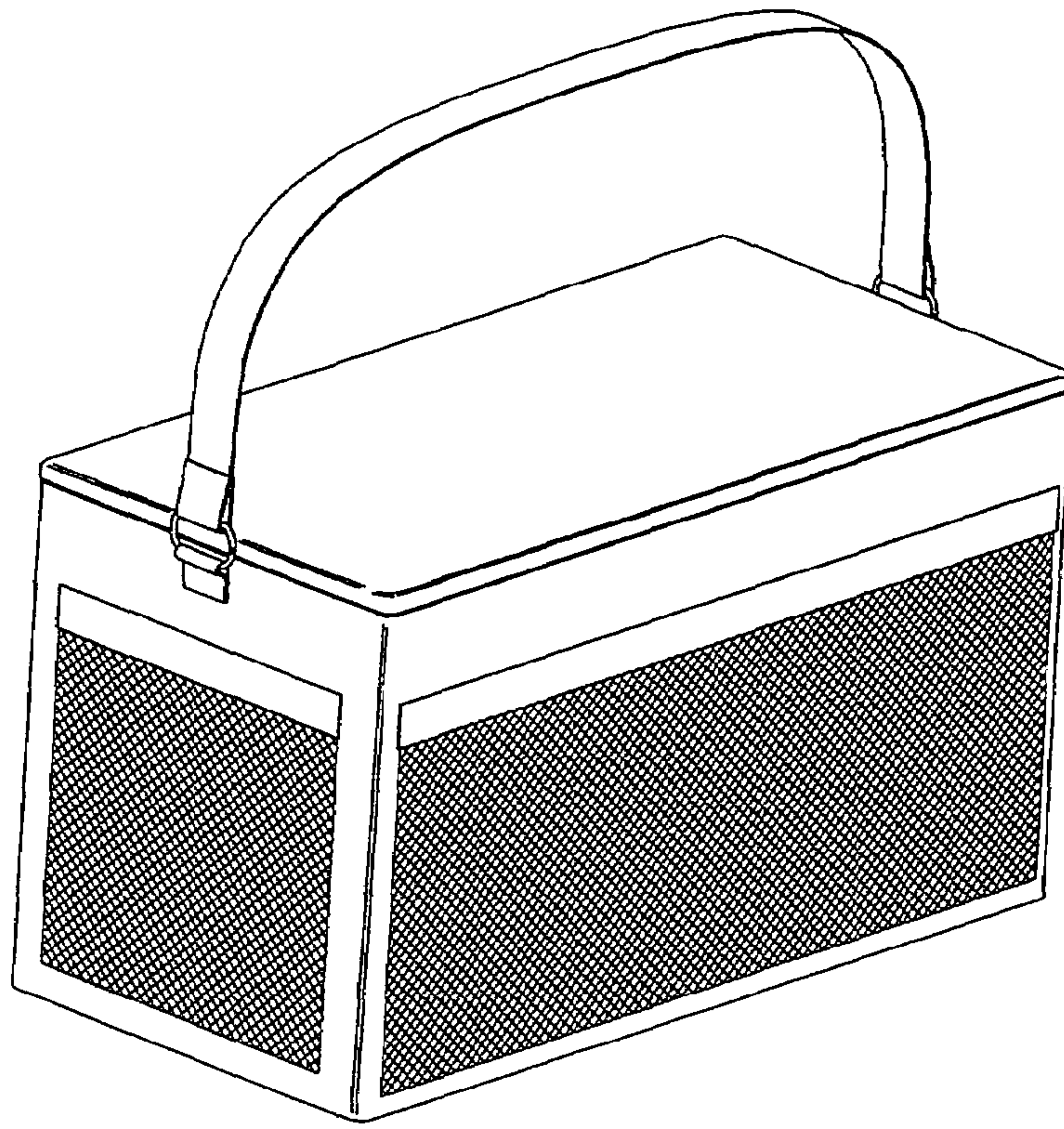


Fig. 1

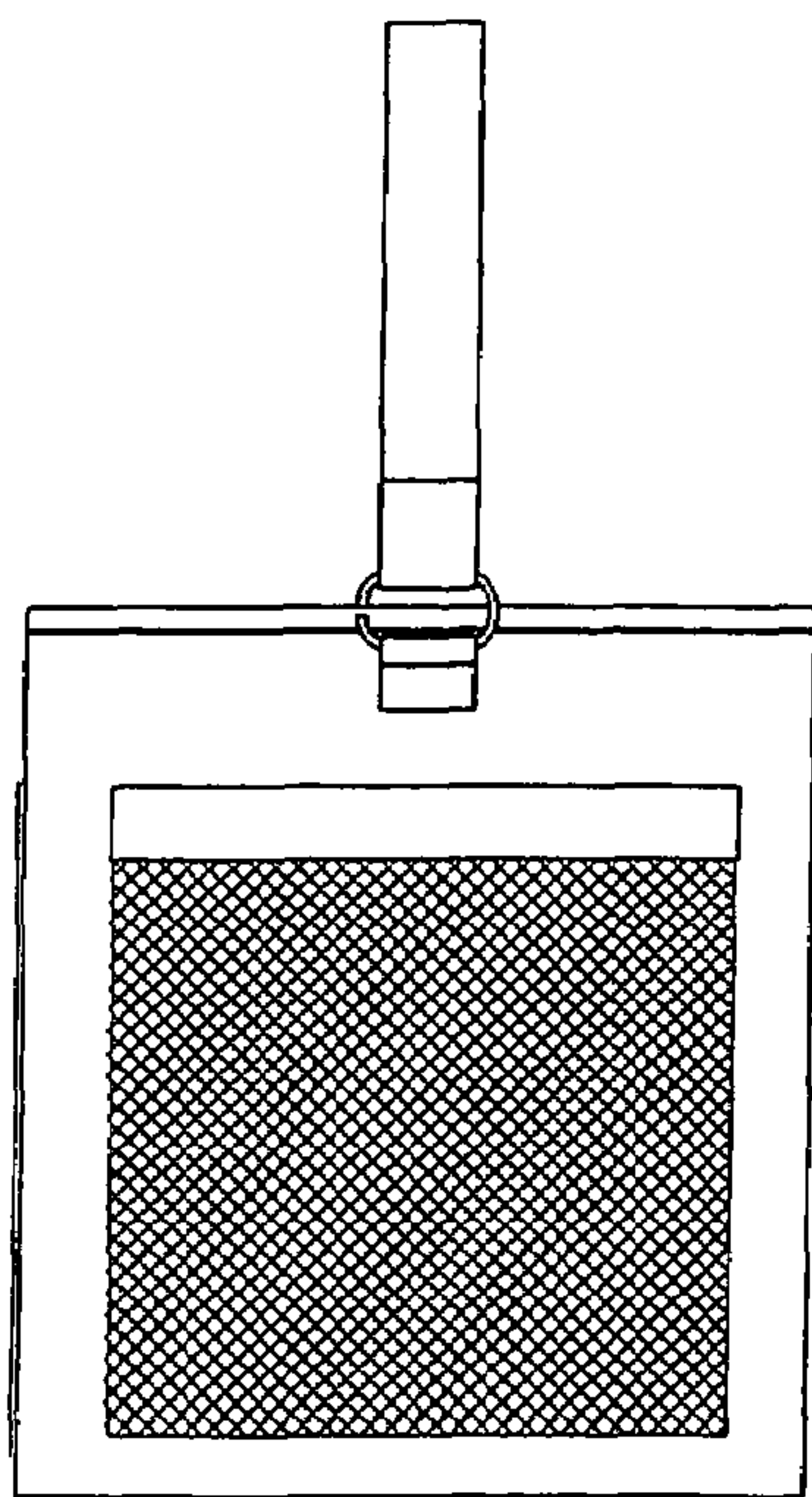


Fig. 2

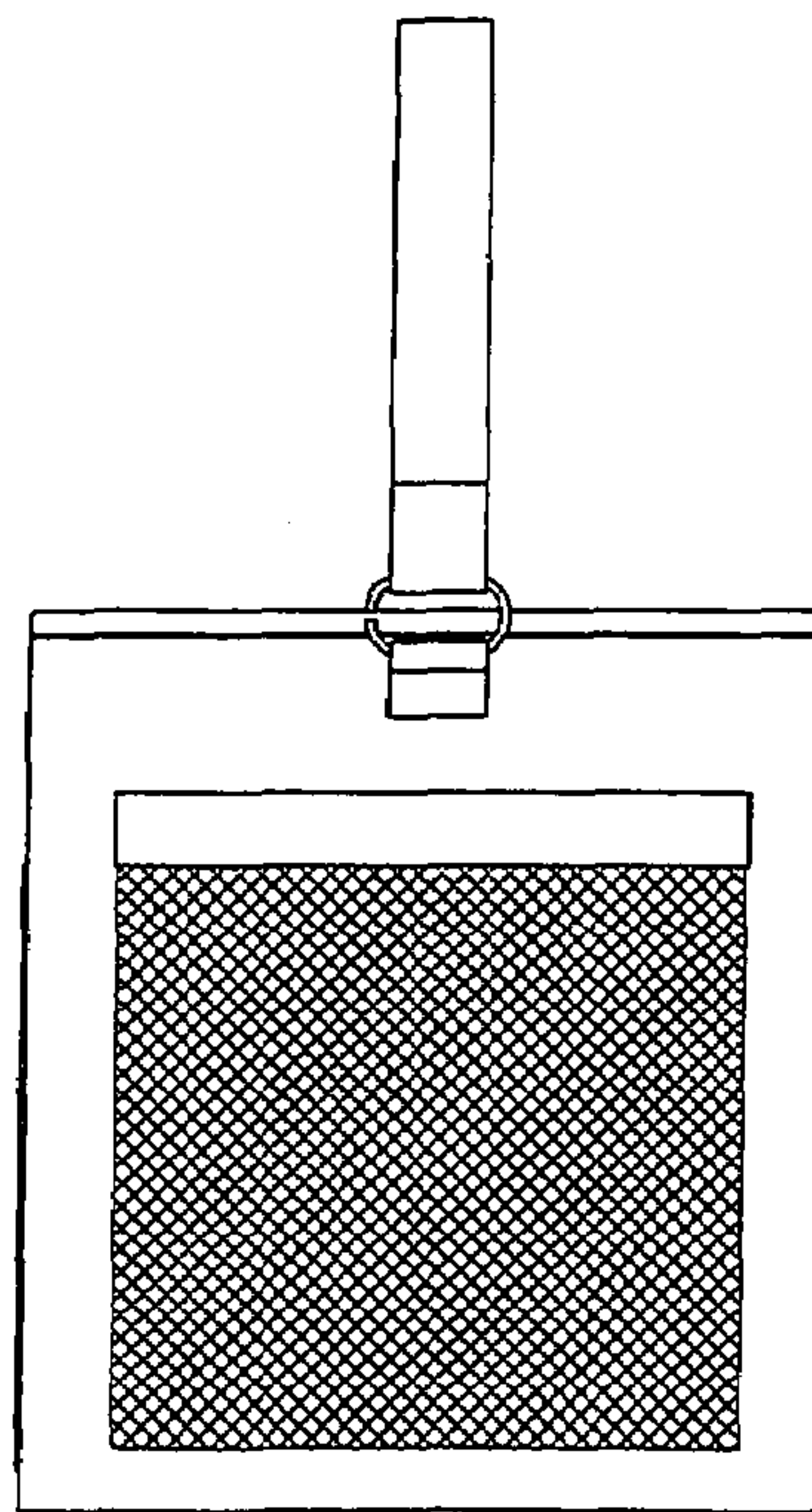


Fig. 3

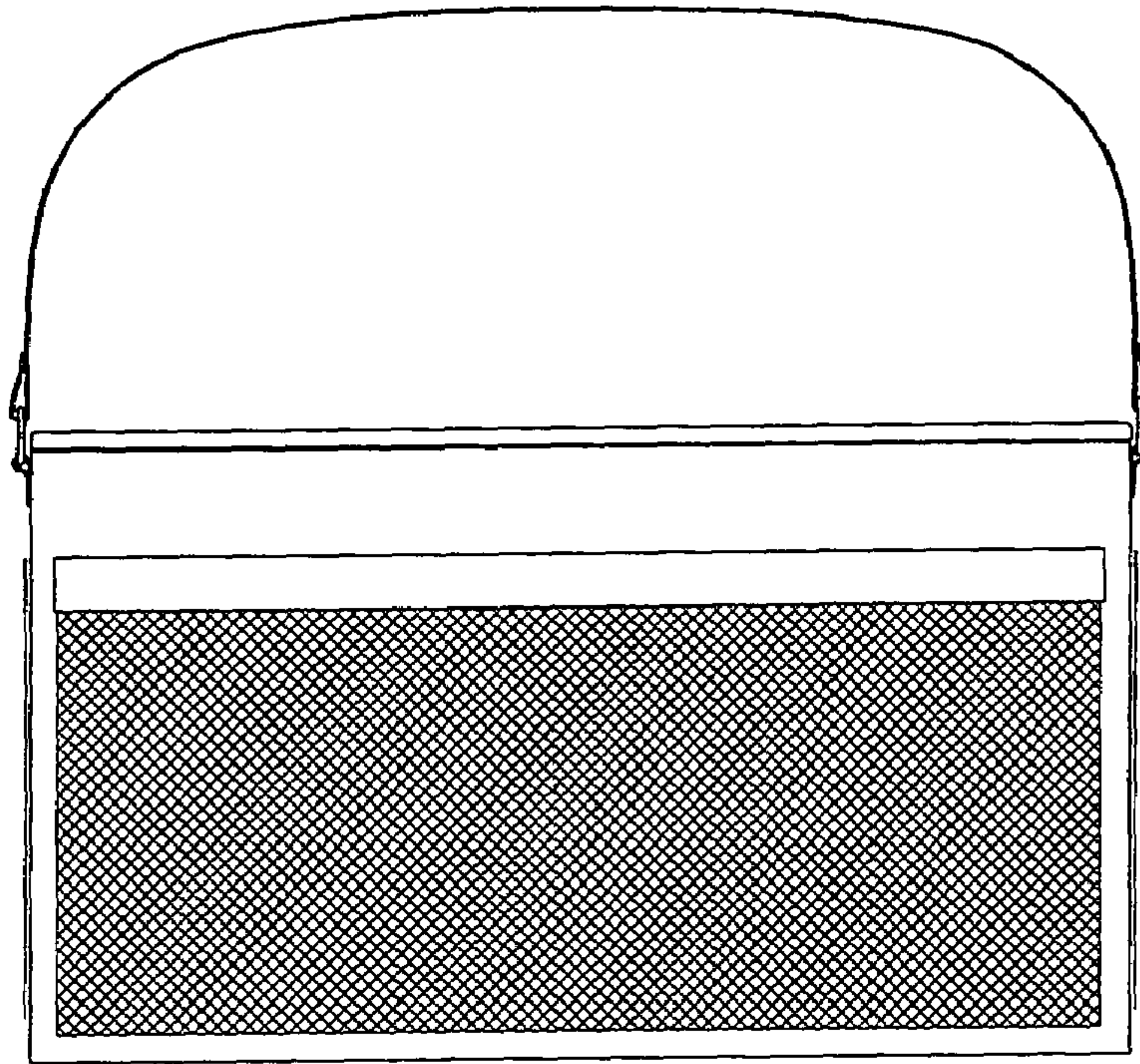


Fig. 4

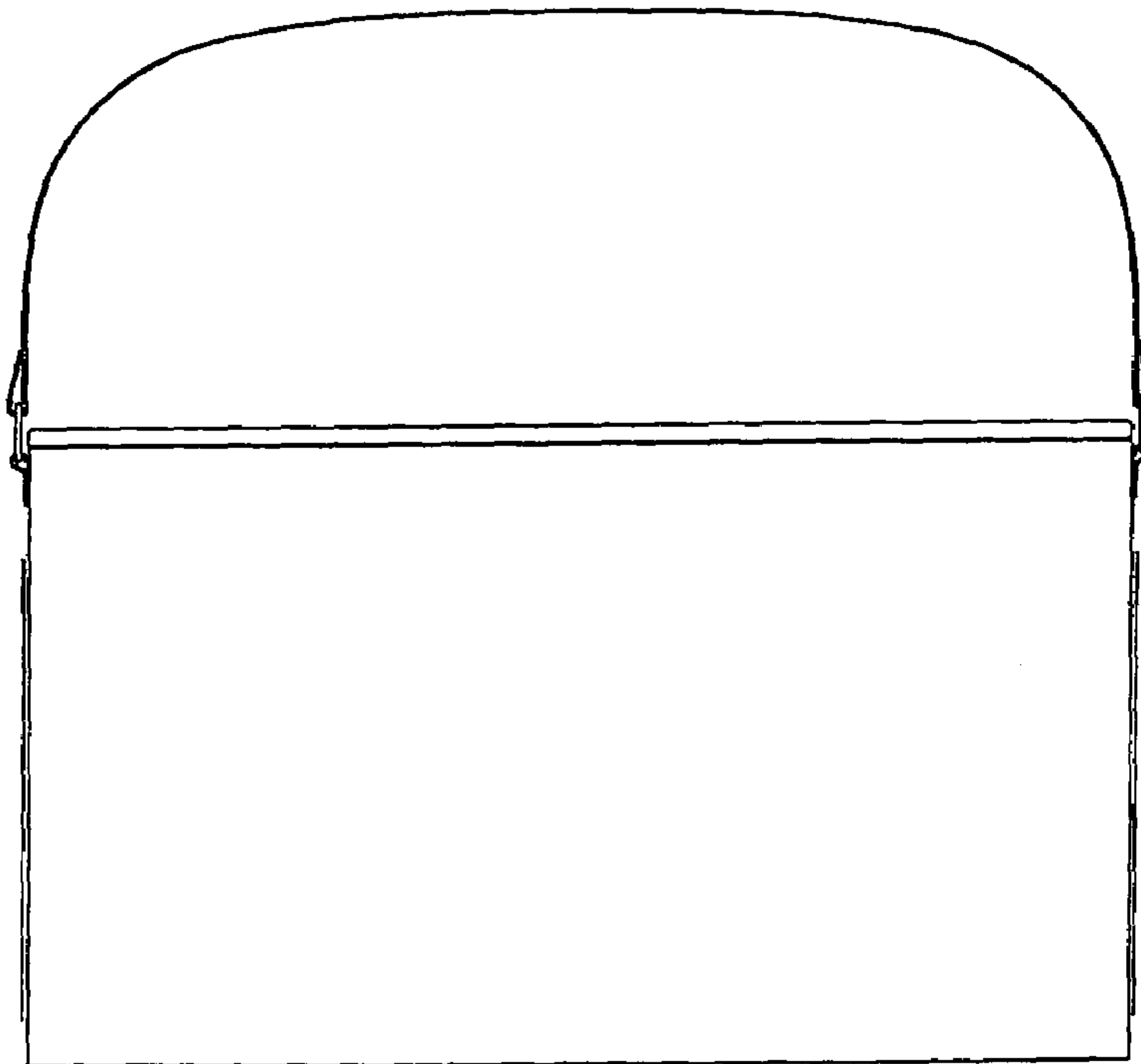


Fig. 5

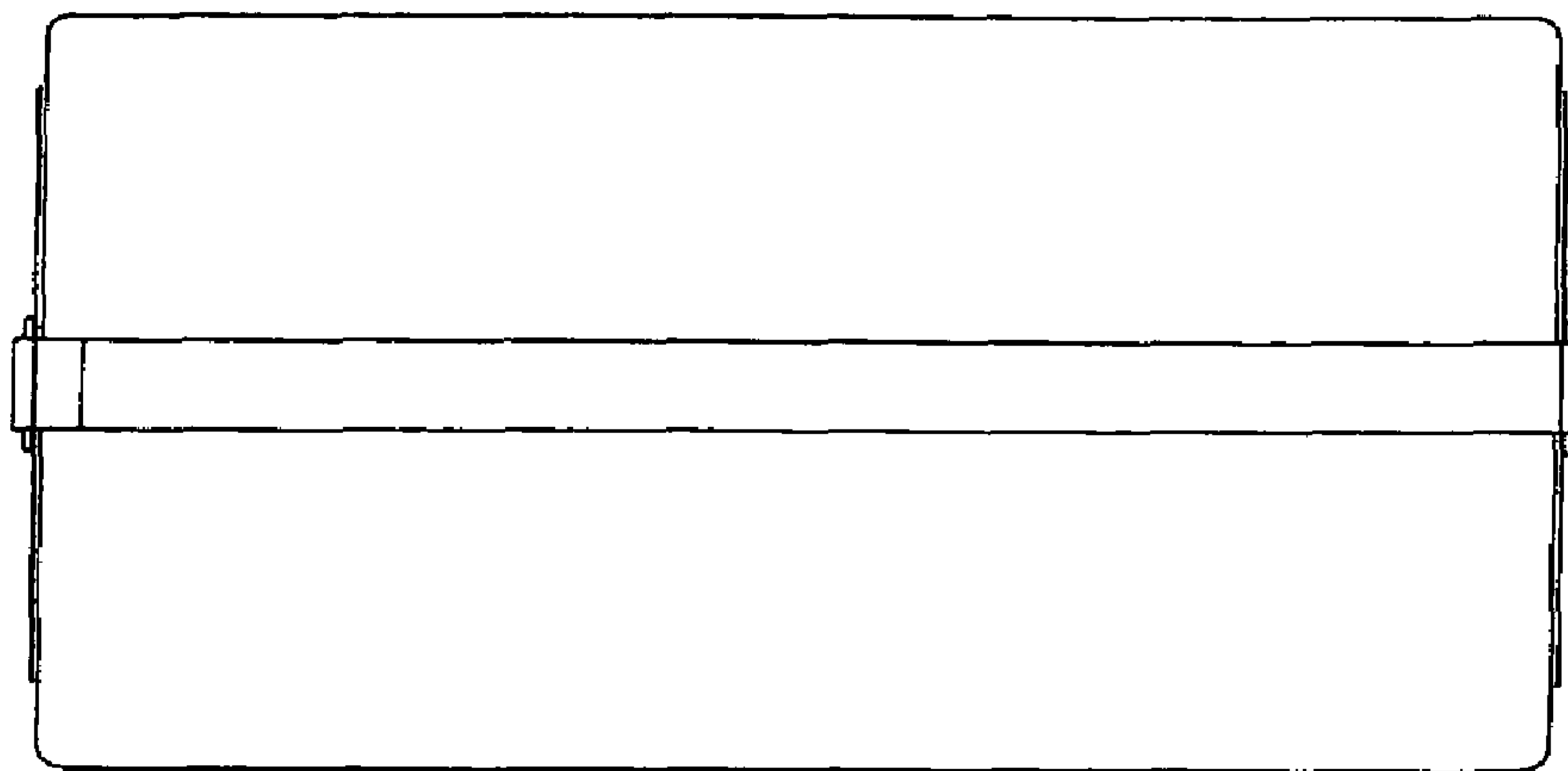


Fig. 6

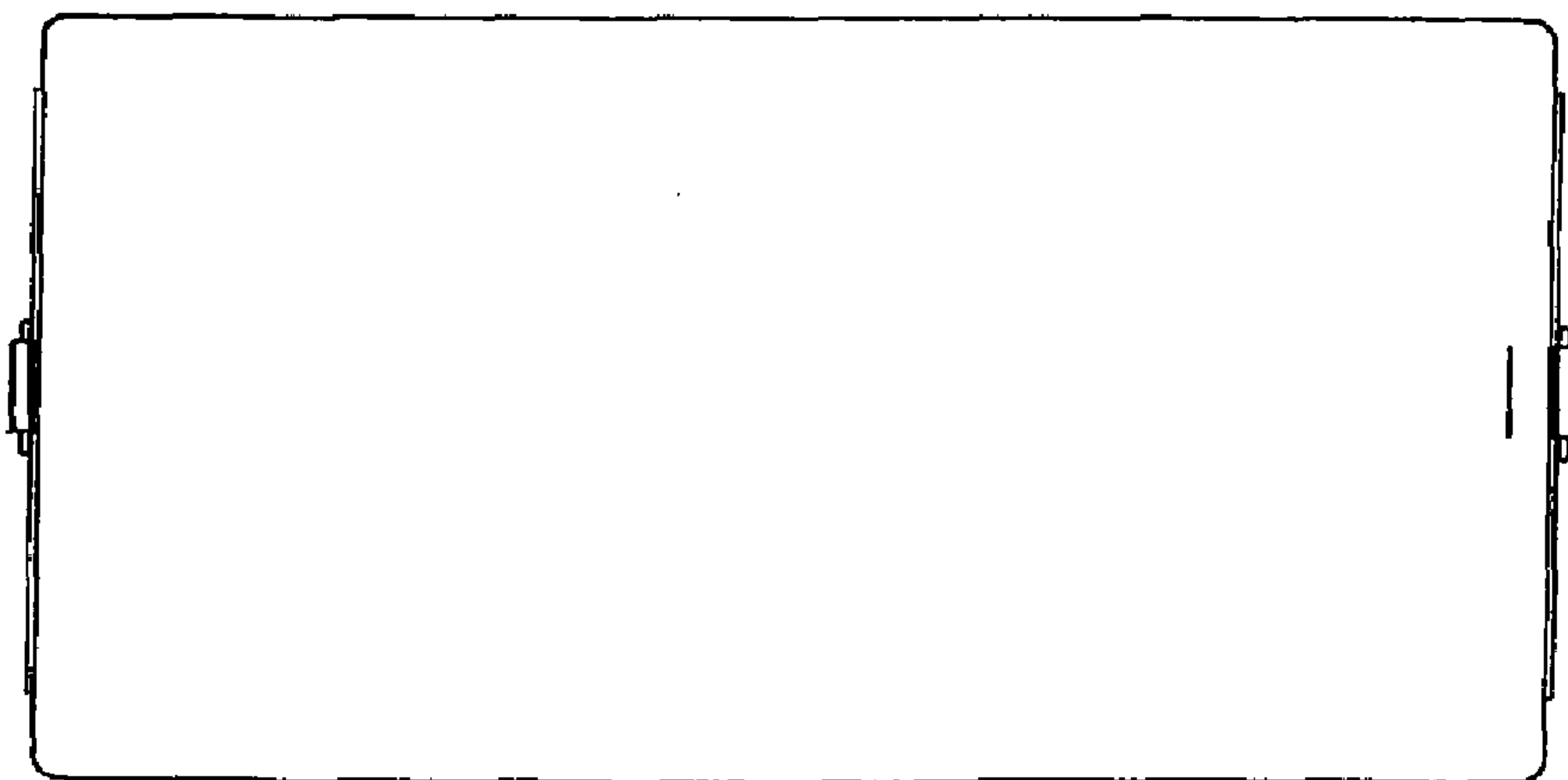


Fig. 7

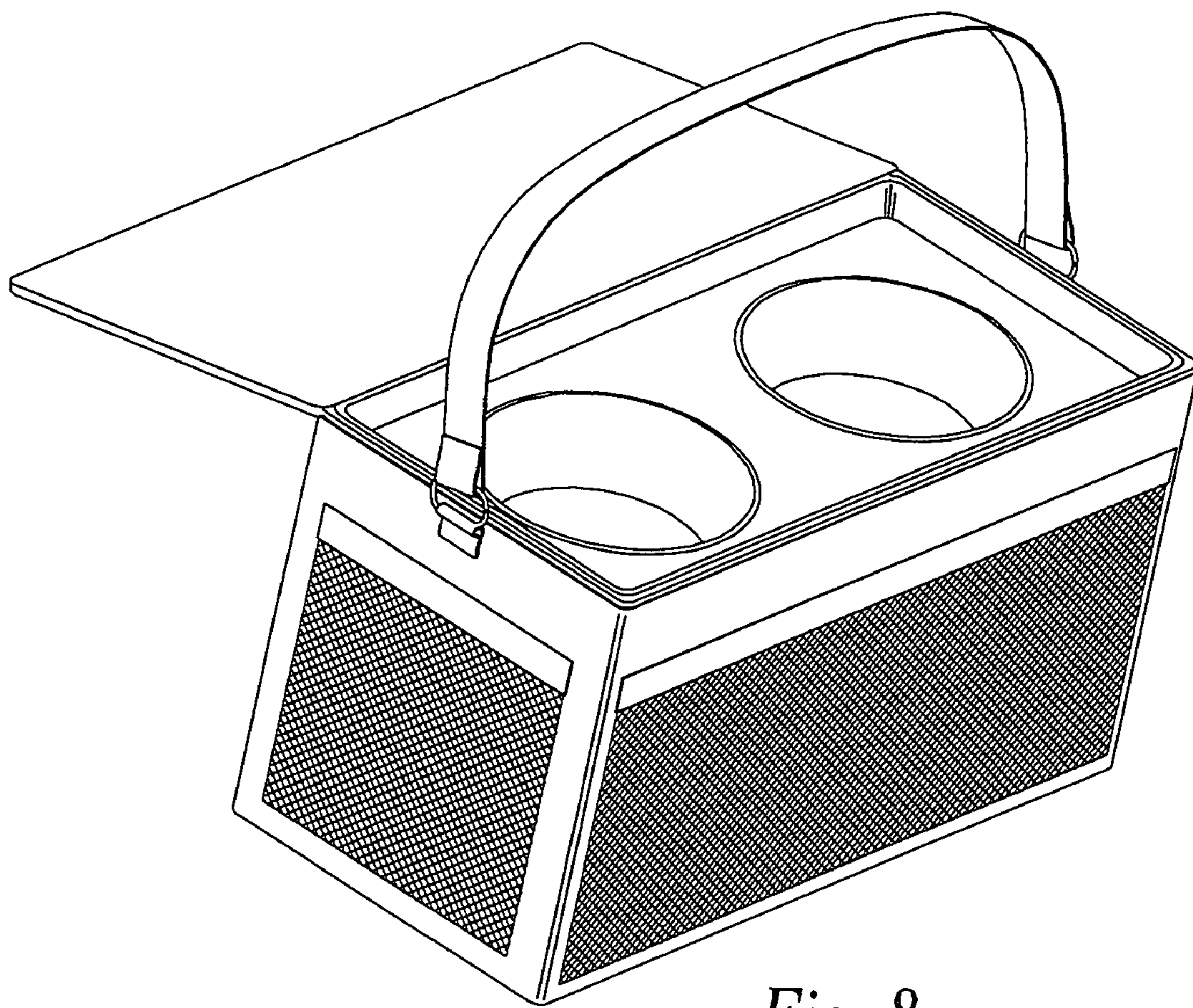


Fig. 8

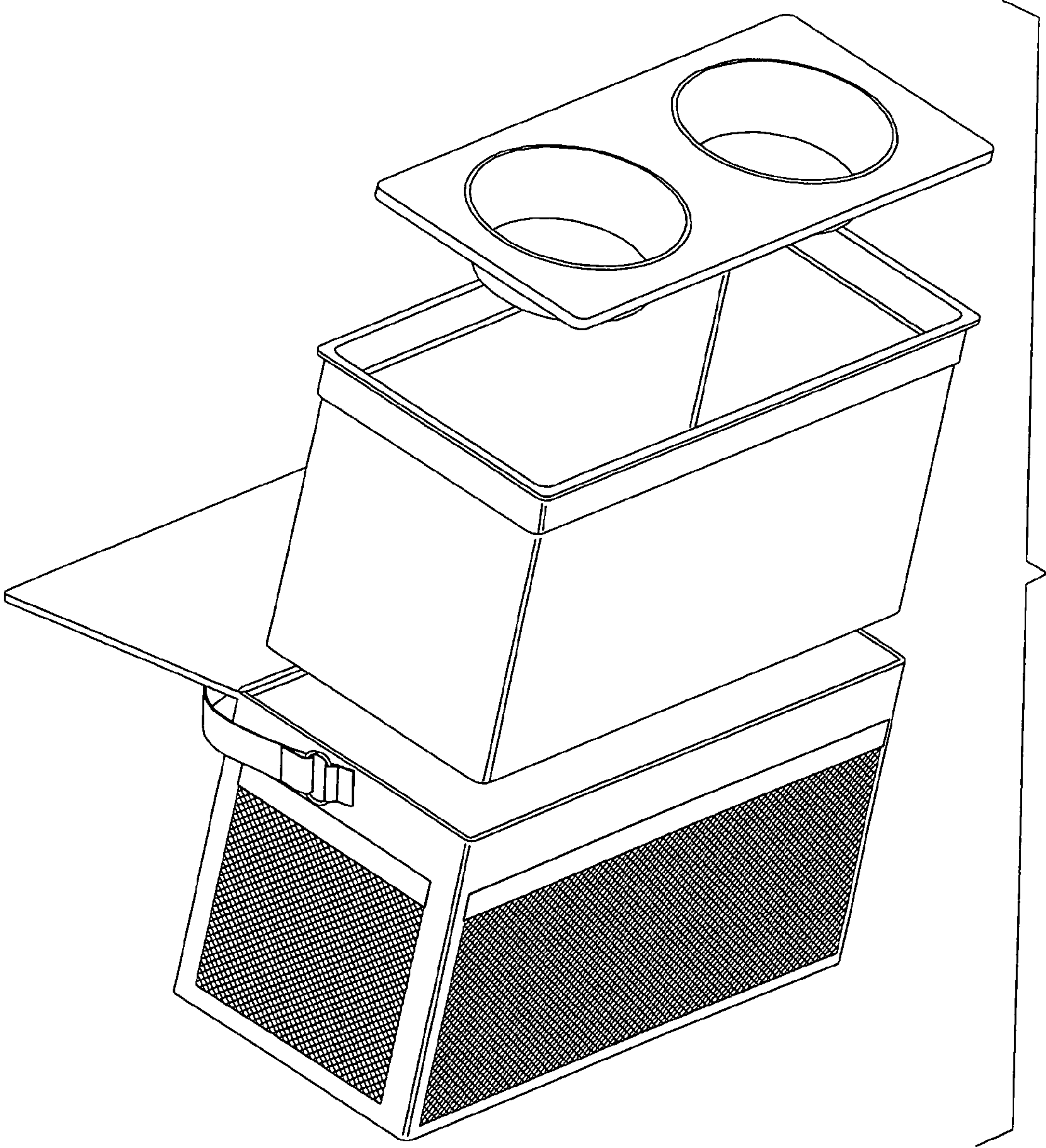


Fig. 9