



US00D580108S

(12) **United States Design Patent**  
**Kilroy**

(10) **Patent No.:** **US D580,108 S**

(45) **Date of Patent:** **\*\* Nov. 4, 2008**

(54) **COMBINED AQUARIUM AND ANIMAL EXHIBIT**

(76) **Inventor:** **Patrick F. Kilroy**, 3940 Ulla La., Lake Elsinore, CA (US) 92530

(\*\*) **Term:** **14 Years**

(21) **Appl. No.:** **29/276,525**

(22) **Filed:** **Jan. 28, 2007**

(51) **LOC (8) Cl.** ..... **30-02**

(52) **U.S. Cl.** ..... **D30/104**

(58) **Field of Classification Search** ..... D30/101-107;  
D11/145; 119/245-248, 251-253, 258, 263,  
119/265-267

See application file for complete search history.

(56) **References Cited**

**U.S. PATENT DOCUMENTS**

- 3,512,503 A \* 5/1970 Willinger ..... 119/251
- D251,206 S \* 2/1979 Conrad ..... D30/104
- D253,729 S \* 12/1979 Ward ..... D30/105
- 4,204,499 A \* 5/1980 Leyva et al. .... 119/246
- D259,292 S \* 5/1981 Conrad ..... D30/101
- D265,856 S \* 8/1982 Totten ..... D30/104
- 4,958,593 A \* 9/1990 Hurlburt et al. .... 119/246
- 5,000,118 A \* 3/1991 Merritt et al. .... 119/246

- 5,009,188 A \* 4/1991 Yasui ..... 119/253
- D340,550 S \* 10/1993 Teats ..... D30/104
- 5,313,912 A \* 5/1994 O'Dell ..... 119/246
- 5,337,701 A \* 8/1994 Syers ..... 119/251
- 5,357,903 A \* 10/1994 Rivera ..... 119/246
- D356,979 S \* 4/1995 Rahr ..... D11/143
- D357,646 S \* 4/1995 Movizzo ..... D11/202
- D397,522 S \* 8/1998 Bishop ..... D30/101
- 6,019,064 A \* 2/2000 Alarcon ..... 119/247
- 6,363,889 B1 \* 4/2002 Lamendola ..... 119/246
- D473,347 S \* 4/2003 Vines ..... D30/104
- D512,661 S \* 12/2005 Morris et al. .... D11/131
- D518,408 S \* 4/2006 Harrity et al. .... D11/131
- 7,025,018 B2 \* 4/2006 Goossen ..... 119/246
- 7,073,463 B1 \* 7/2006 Blakely ..... 119/246

\* cited by examiner

*Primary Examiner*—Cathy Anne MacCormac

(57) **CLAIM**

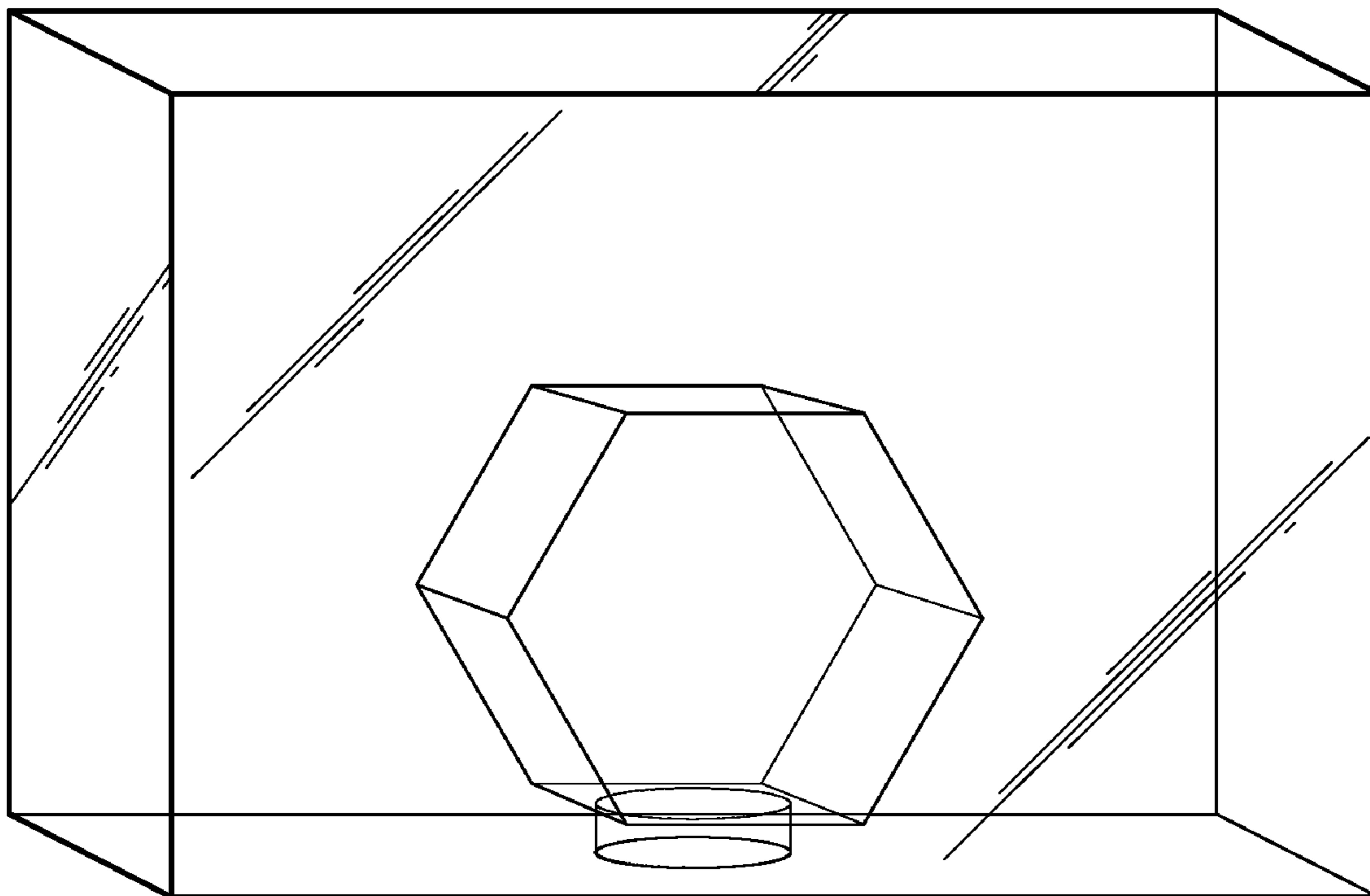
The ornamental design of a combined aquarium and animal exhibit, as shown and described.

**DESCRIPTION**

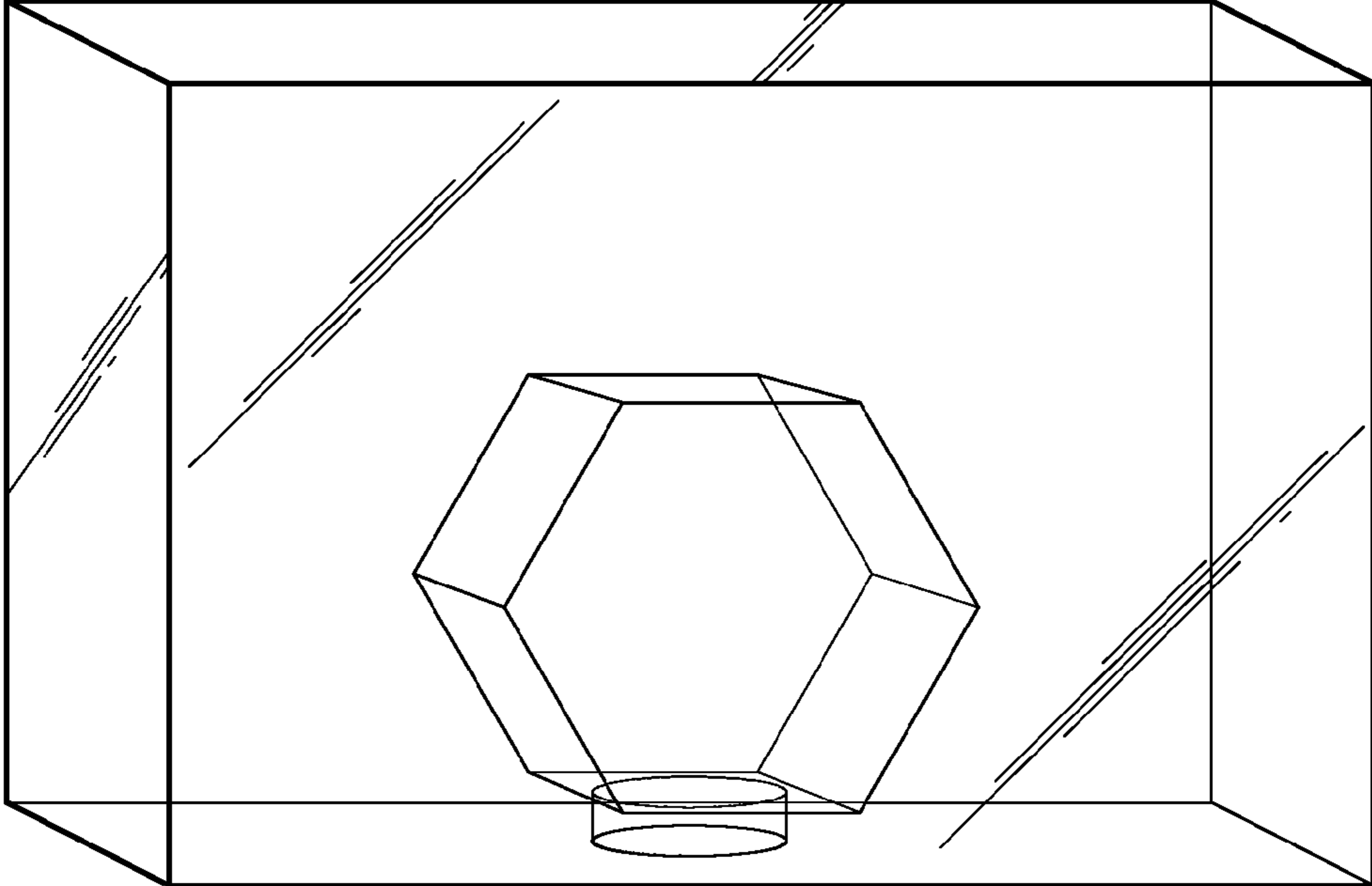
FIG. 1 is a perspective view of a combined aquarium and animal exhibit showing my new design; and,

FIG. 2 is a top plan view thereof.

**1 Claim, 1 Drawing Sheet**



**FIG. 1**



**FIG. 2**

