



US00D580107S

(12) **United States Design Patent**
Ishizawa et al.

(10) **Patent No.:** **US D580,107 S**
(45) **Date of Patent:** **** Nov. 4, 2008**

(54) **INK CARTRIDGE**

Primary Examiner—Cathy Anne MacCormac

(75) Inventors: **Taku Ishizawa**, Suwa (JP); **Akihisa Wanibe**, Suwa (JP); **Takayoshi Katsumura**, Suwa (JP)

(74) *Attorney, Agent, or Firm*—Harness, Dickey & Pierce, P.L.C.

(73) Assignee: **Seiko Epson Corporation** (JP)

(57) **CLAIM**

(**) Term: **14 Years**

The ornamental design for an ink cartridge, as shown and described.

(21) Appl. No.: **29/269,401**

(22) Filed: **Nov. 29, 2006**

DESCRIPTION

(30) **Foreign Application Priority Data**

May 31, 2006 (JP) 2006-013991

FIG. 1 is a perspective view of the front, left and bottom of an ink cartridge showing our new design;

(51) **LOC (8) Cl.** **18-02**

(52) **U.S. Cl.** **D30/56**

(58) **Field of Classification Search** D18/40,
D18/43, 56; 347/86–87

FIG. 2 is a perspective view of the rear, right and top thereof

FIG. 3 is a top plan view thereof;

FIG. 4 is a front view thereof;

FIG. 5 is a left side view thereof

FIG. 6 is a right side view thereof,

FIG. 7 is a rear view thereof; and,

FIG. 8 is a bottom view thereof.

See application file for complete search history.

The portions shown in dotted and dash-dot-dash lines are for illustrative purposes only and form no part of the claimed design.

The dash-dot-dash line shows a boundary between the claimed subject matter and the non-claimed subject matter.

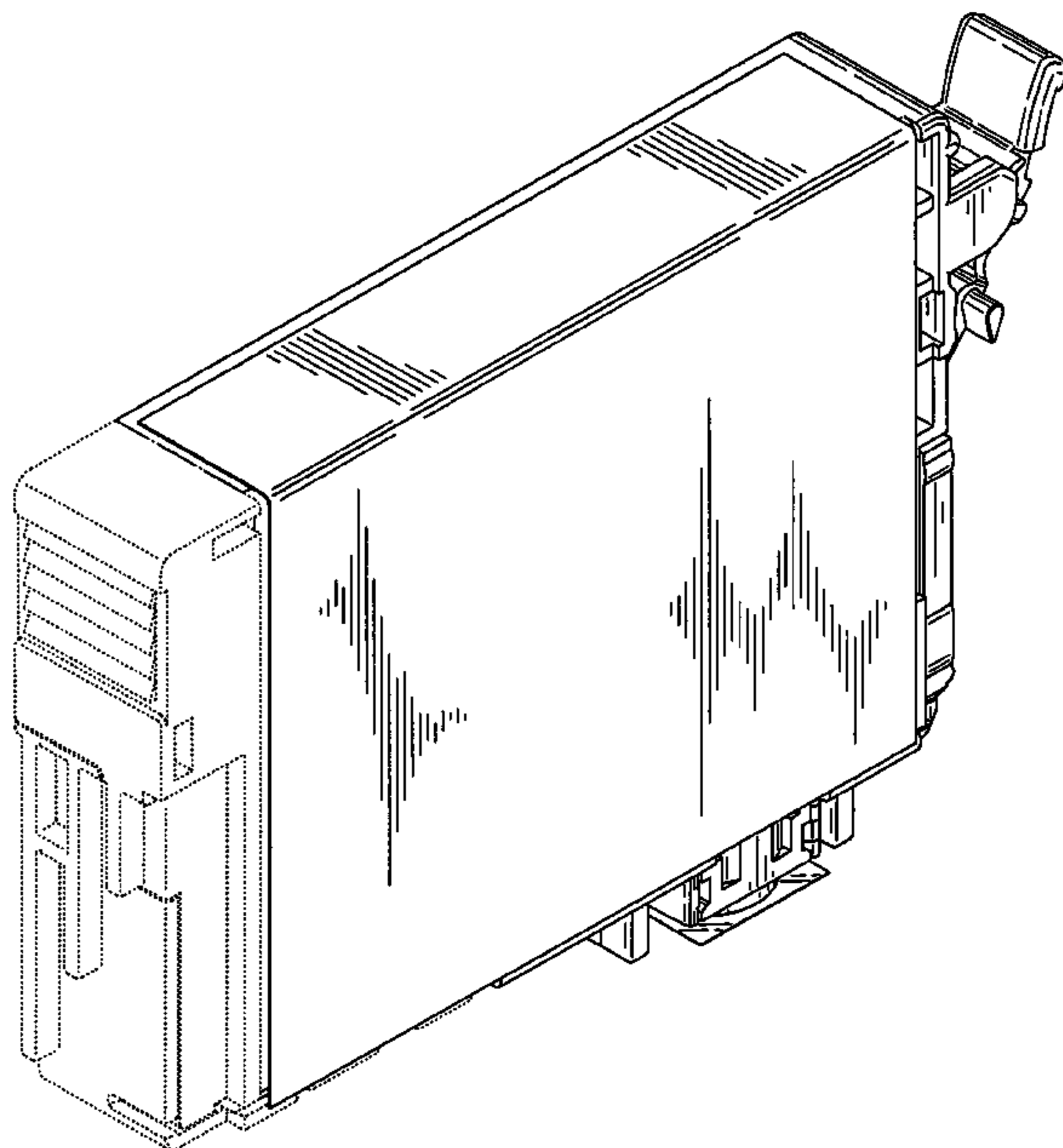
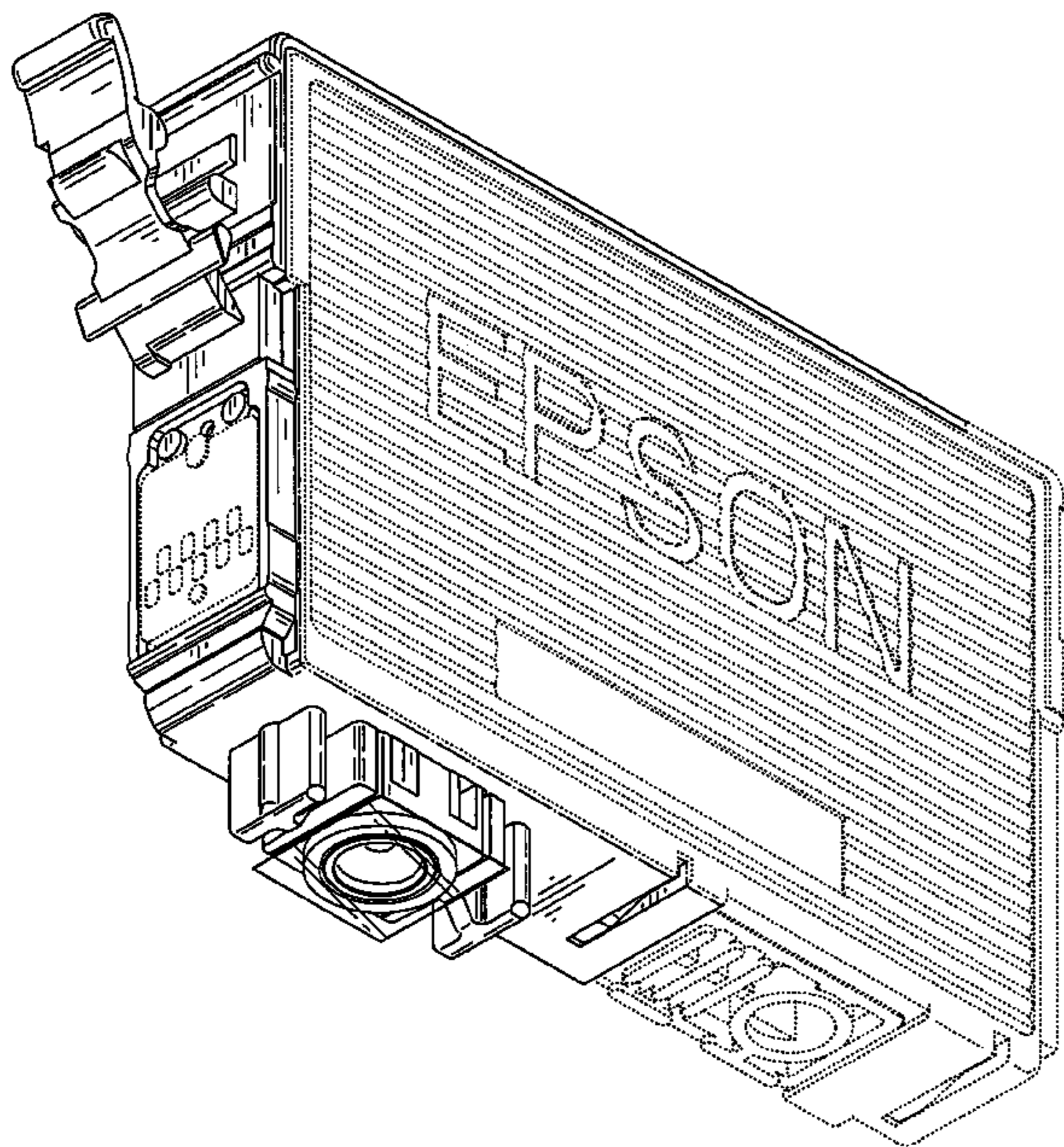
(56) **References Cited**

U.S. PATENT DOCUMENTS

D466,151 S *	11/2002	Shinada et al.	D18/56
D536,374 S *	2/2007	Shinada et al.	D18/56
2004/0165043 A1 *	8/2004	Sakai et al.	347/86
2006/0139423 A1 *	6/2006	Sakai et al.	347/86
2006/0203052 A1 *	9/2006	Seki et al.	347/86

* cited by examiner

1 Claim, 7 Drawing Sheets



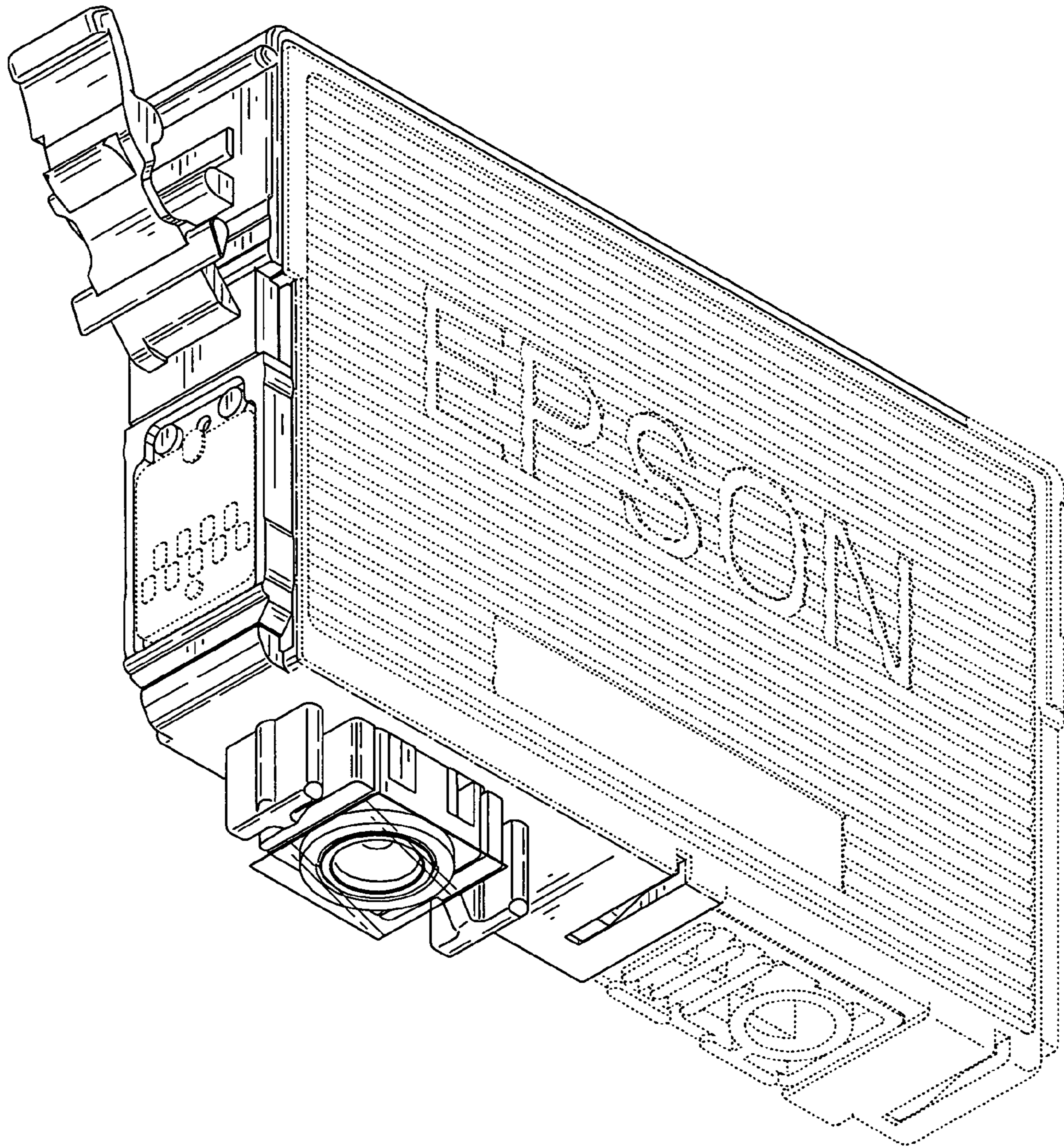


FIG. 1

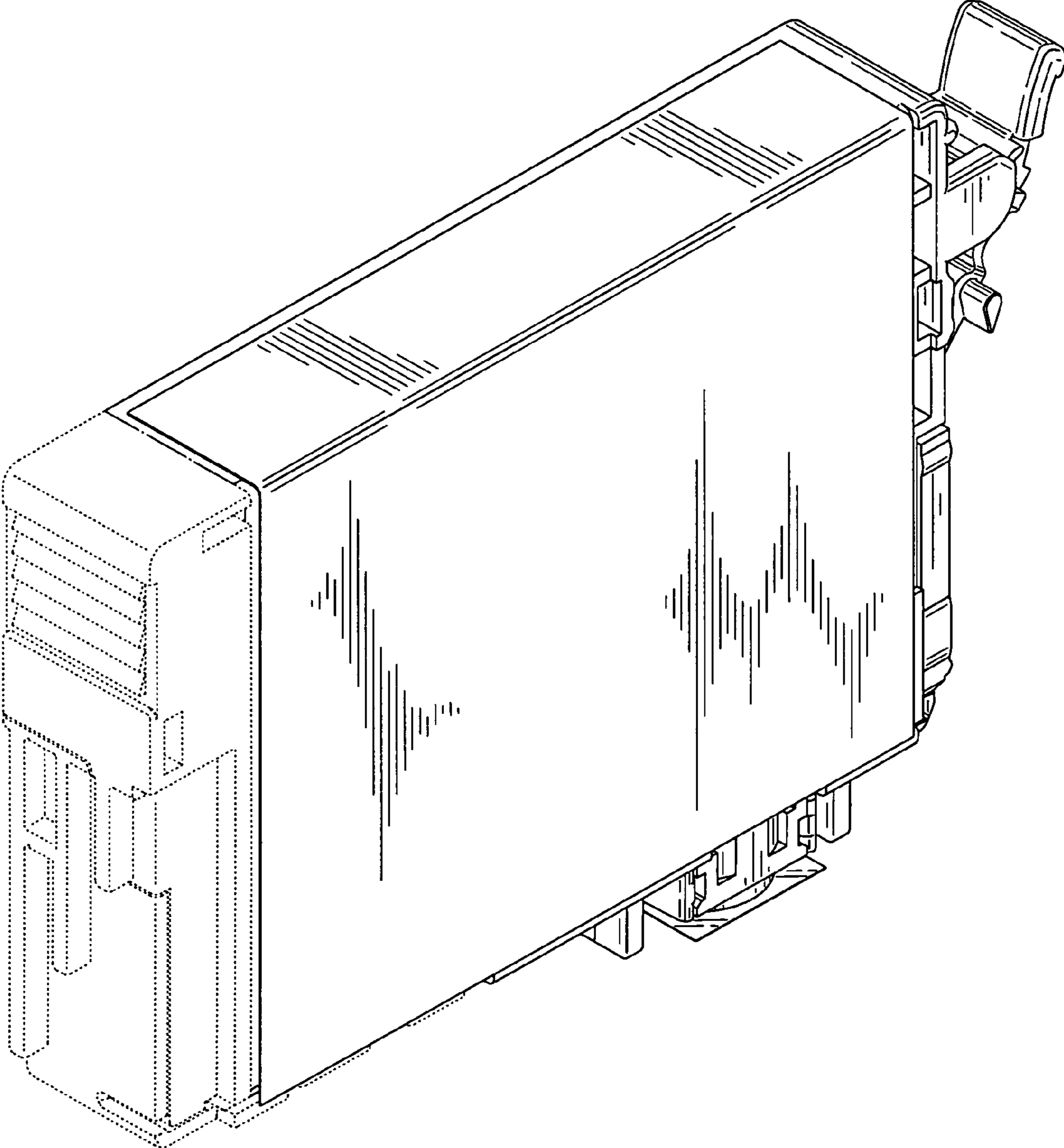


FIG. 2

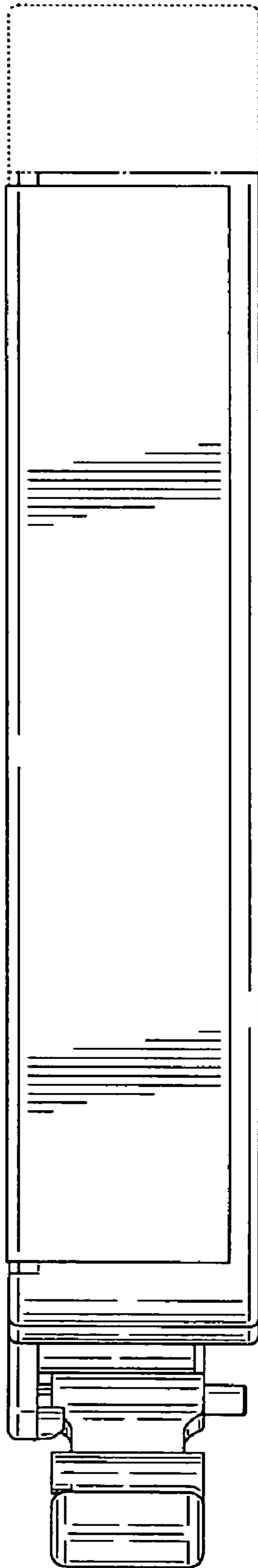


FIG. 3

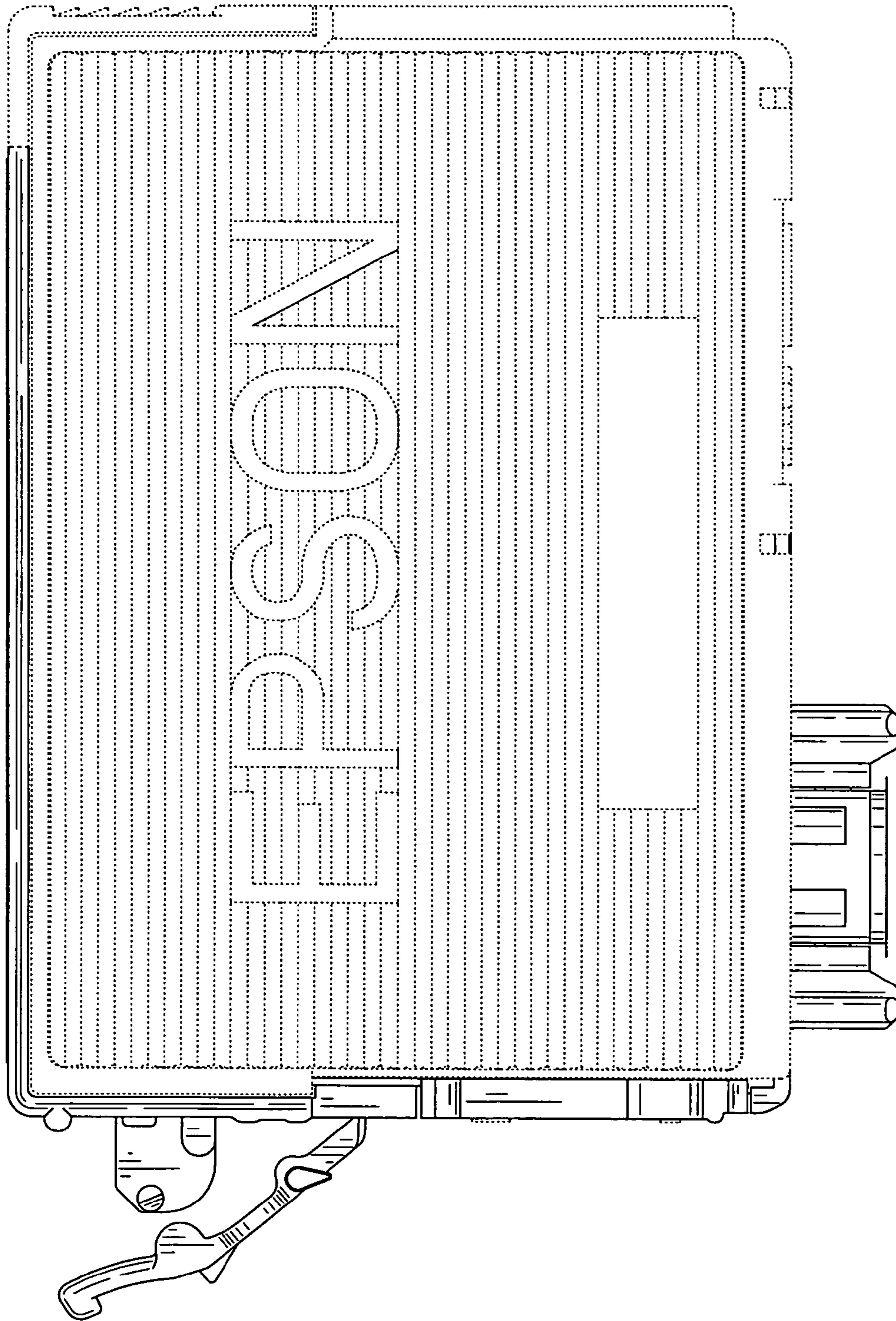


FIG. 4

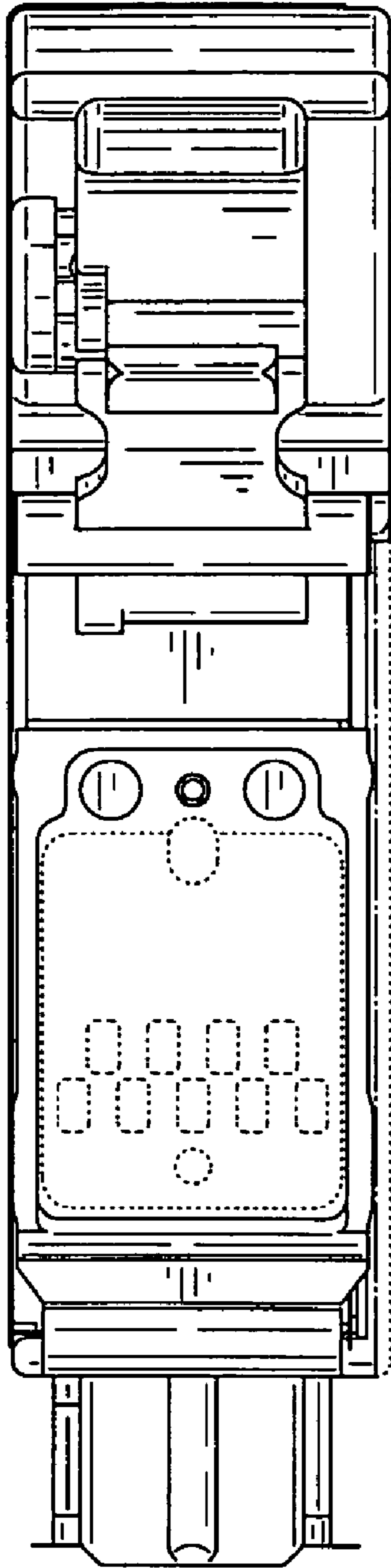


FIG. 5

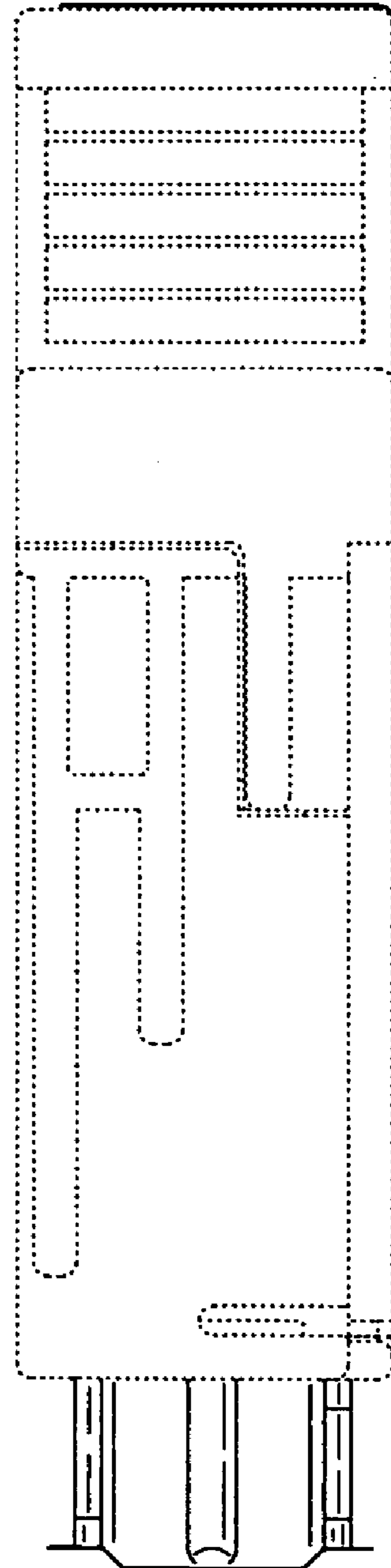


FIG. 6

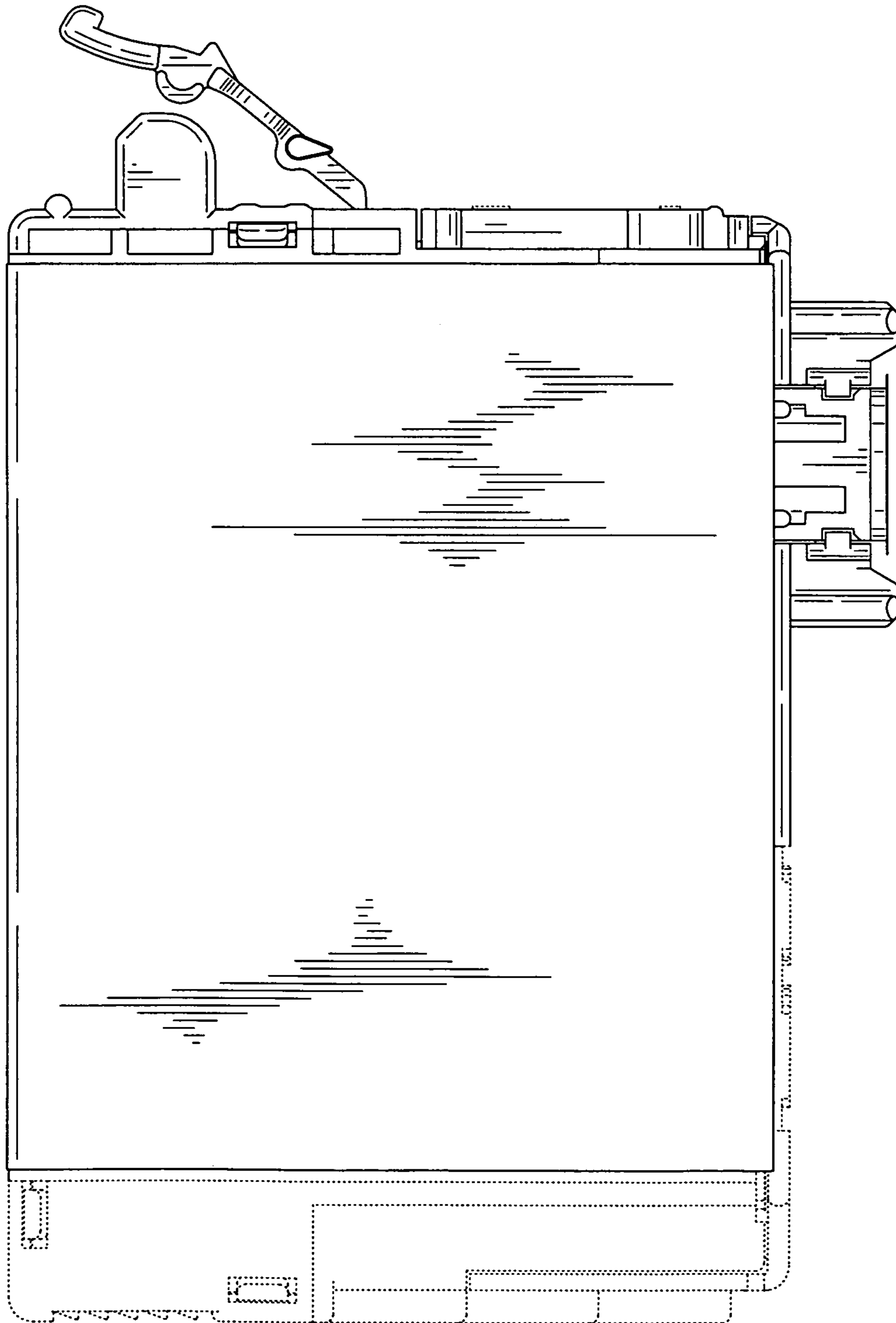


FIG. 7

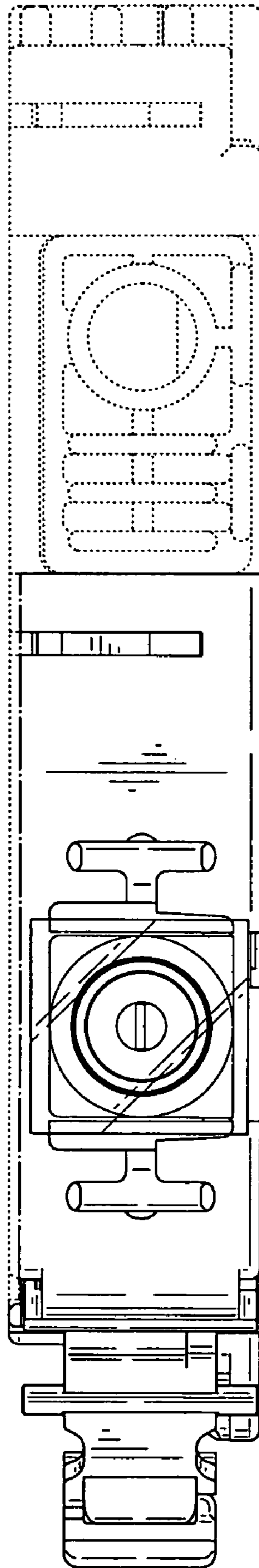


FIG. 8