



US00D580106S

(12) **United States Design Patent**
Fréchette

(10) **Patent No.:** **US D580,106 S**
(45) **Date of Patent:** **** Nov. 4, 2008**

(54) **PAIR OF GLOVES**

2007/0245451 A1* 10/2007 Desjardins et al. 2/159

(76) Inventor: **Martin Fréchette**, 1626 Debussy, Lévis
(CA) G6V 9T7

* cited by examiner

Primary Examiner—Robert A Delehanty

(**) Term: **14 Years**

(57) **CLAIM**

(21) Appl. No.: **29/286,445**

The ornamental design for a pair of gloves, as shown and described.

(22) Filed: **May 7, 2007**

(51) **LOC (8) Cl.** **29-02**

DESCRIPTION

(52) **U.S. Cl.** **D29/116.3**

(58) **Field of Classification Search** D2/610,
D2/612, 614–623; D29/113, 116.2, 117.1–119,
D29/123, 116.3; 2/16, 159, 161.1–161.8,
2/162, 198; D24/190; D28/63; D32/42–43
See application file for complete search history.

FIG. 1 is a front view of a right glove of a pair of gloves showing my new design.

FIG. 2 is a front view of a left glove of a pair of gloves therefore;

FIG. 3 is a left side view of the right glove thereof;

FIG. 4 is a top view of the right glove thereof;

FIG. 5 is a right side view of the right glove thereof;

FIG. 6 is a bottom view of the right glove thereof;

FIG. 7 is a left side view of the left glove thereof;

FIG. 8 is a top view of the left glove thereof;

FIG. 9 is a right side view of the left glove thereof; and,

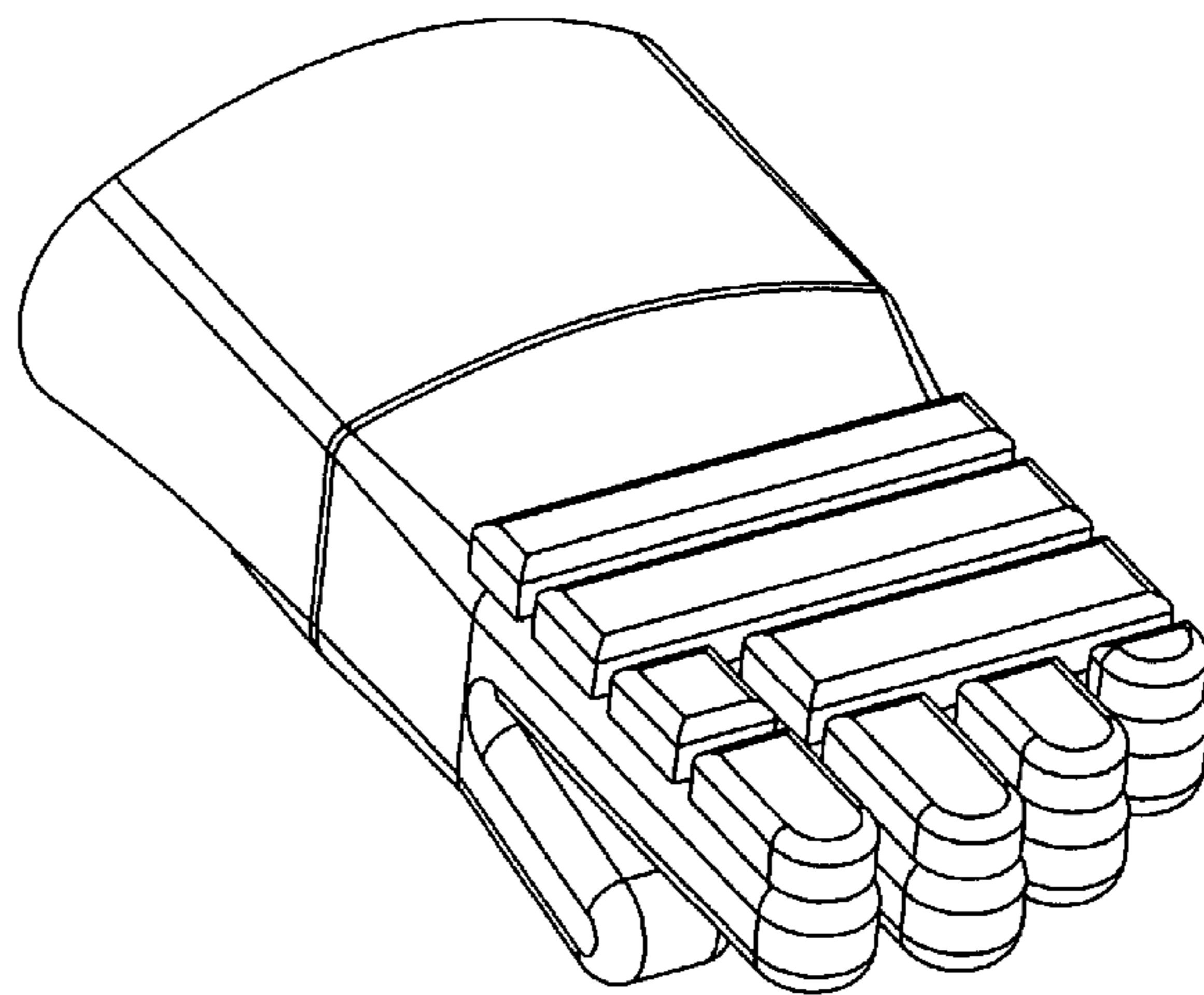
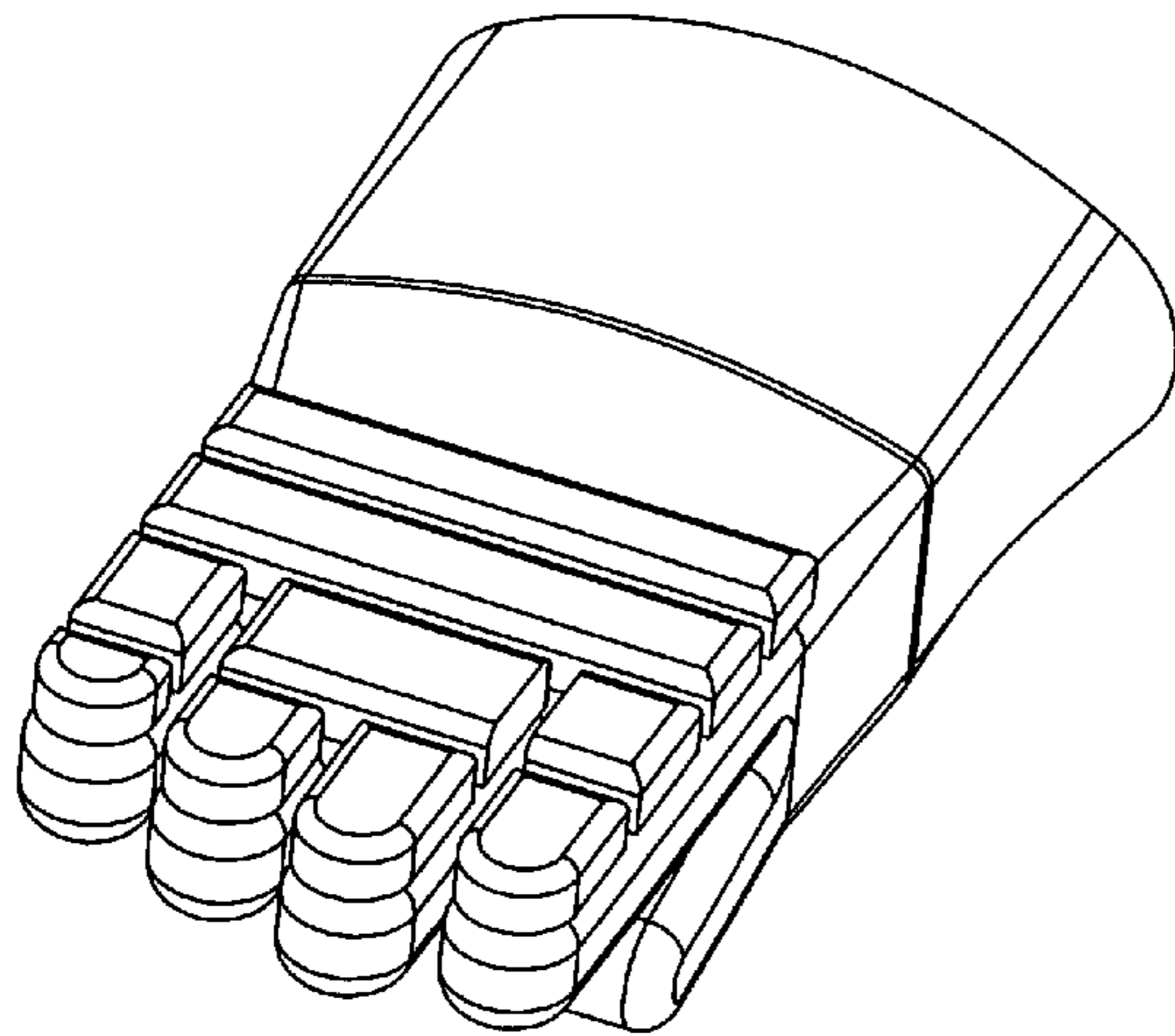
FIG. 10 is a bottom view of the left glove thereof.

(56) **References Cited**

U.S. PATENT DOCUMENTS

- D332,845 S * 1/1993 Johnston D29/116.3
- 5,373,584 A * 12/1994 Parcels, III 2/465
- D387,505 S * 12/1997 Clement D29/116.3
- D402,419 S * 12/1998 Sauriol D29/116.3
- D462,146 S * 8/2002 Aoki D29/113
- D537,211 S * 2/2007 Contant et al. D29/116.3

1 Claim, 3 Drawing Sheets



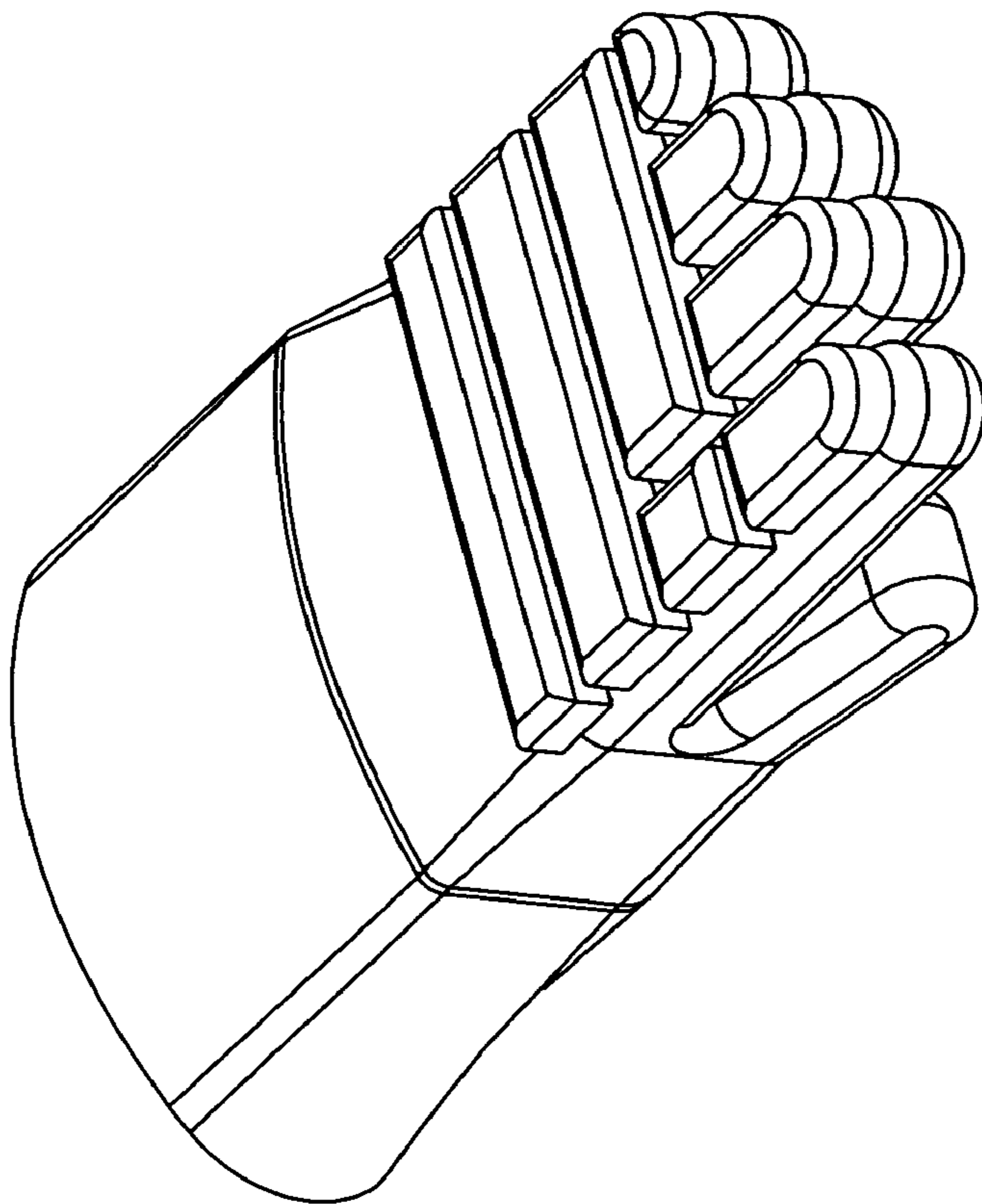


Fig. 2

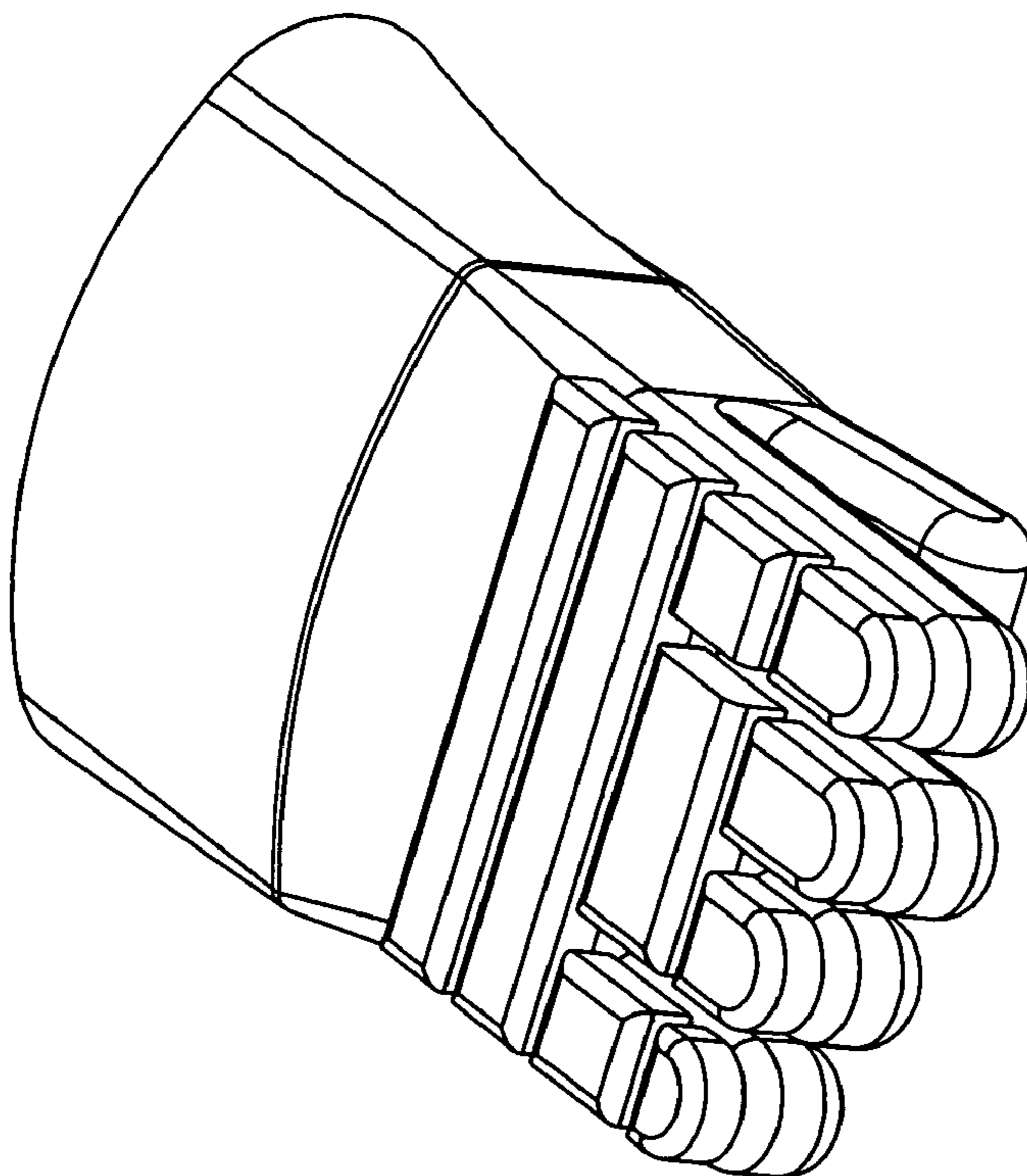


Fig. 1

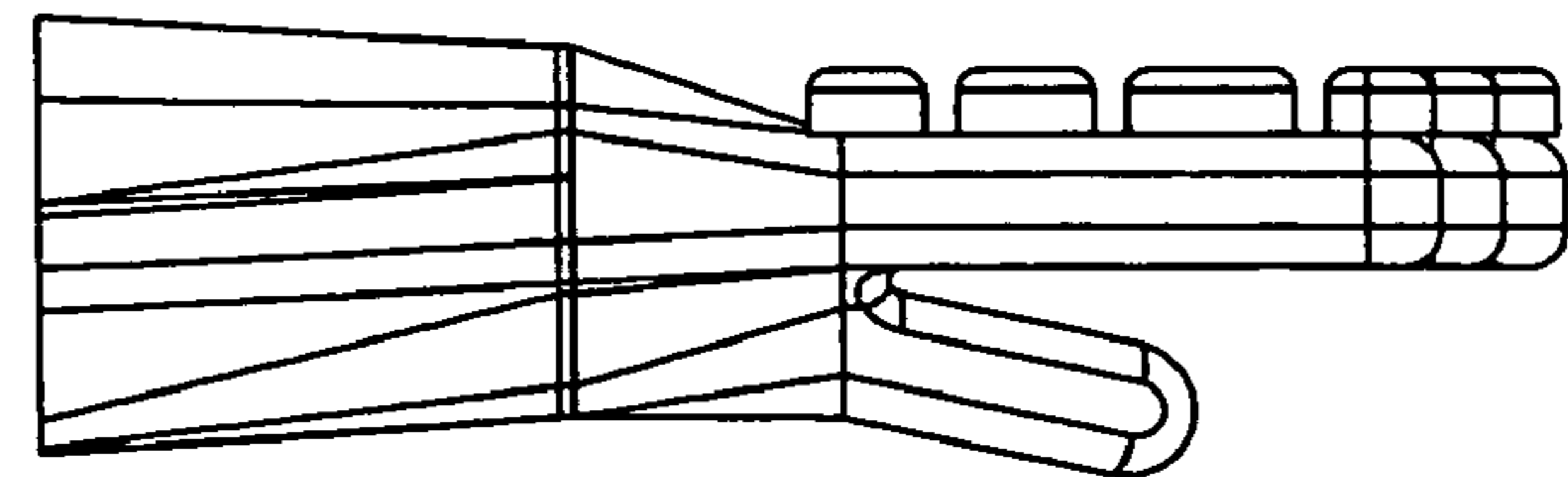


Fig. 3

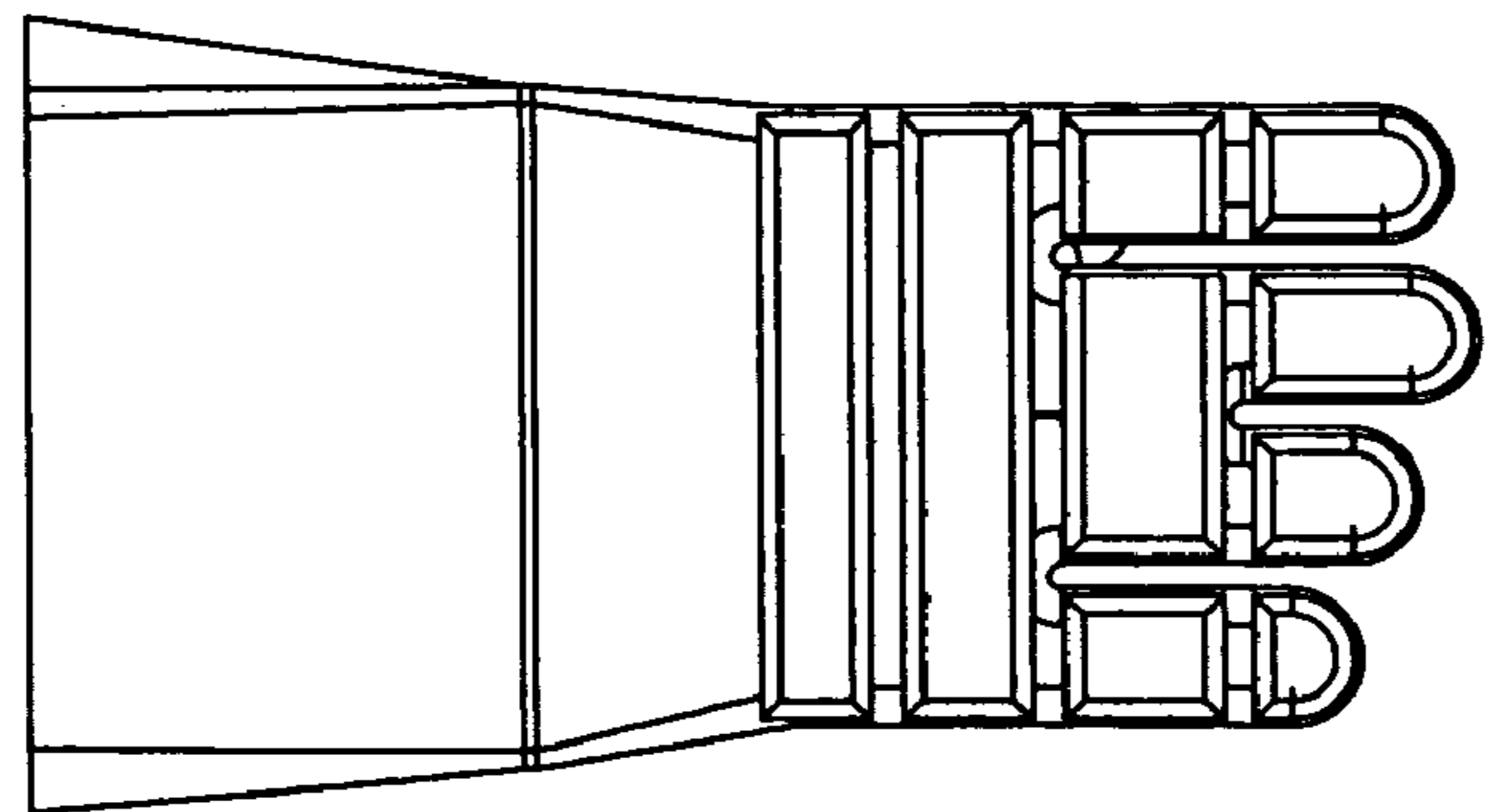


Fig. 4

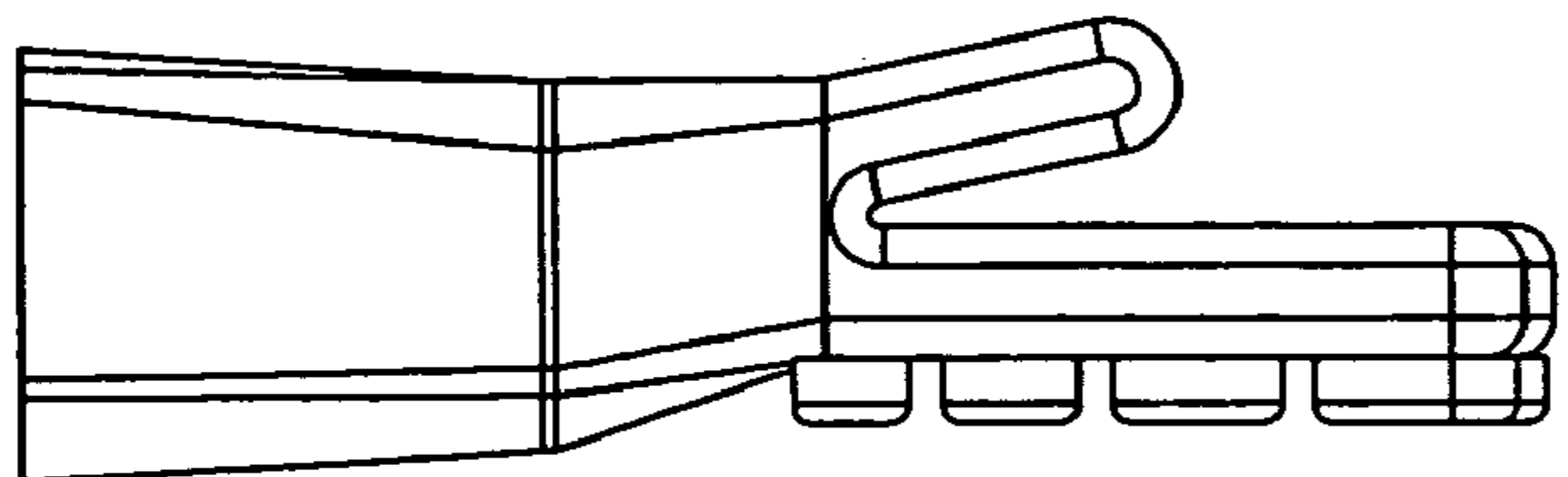


Fig. 5

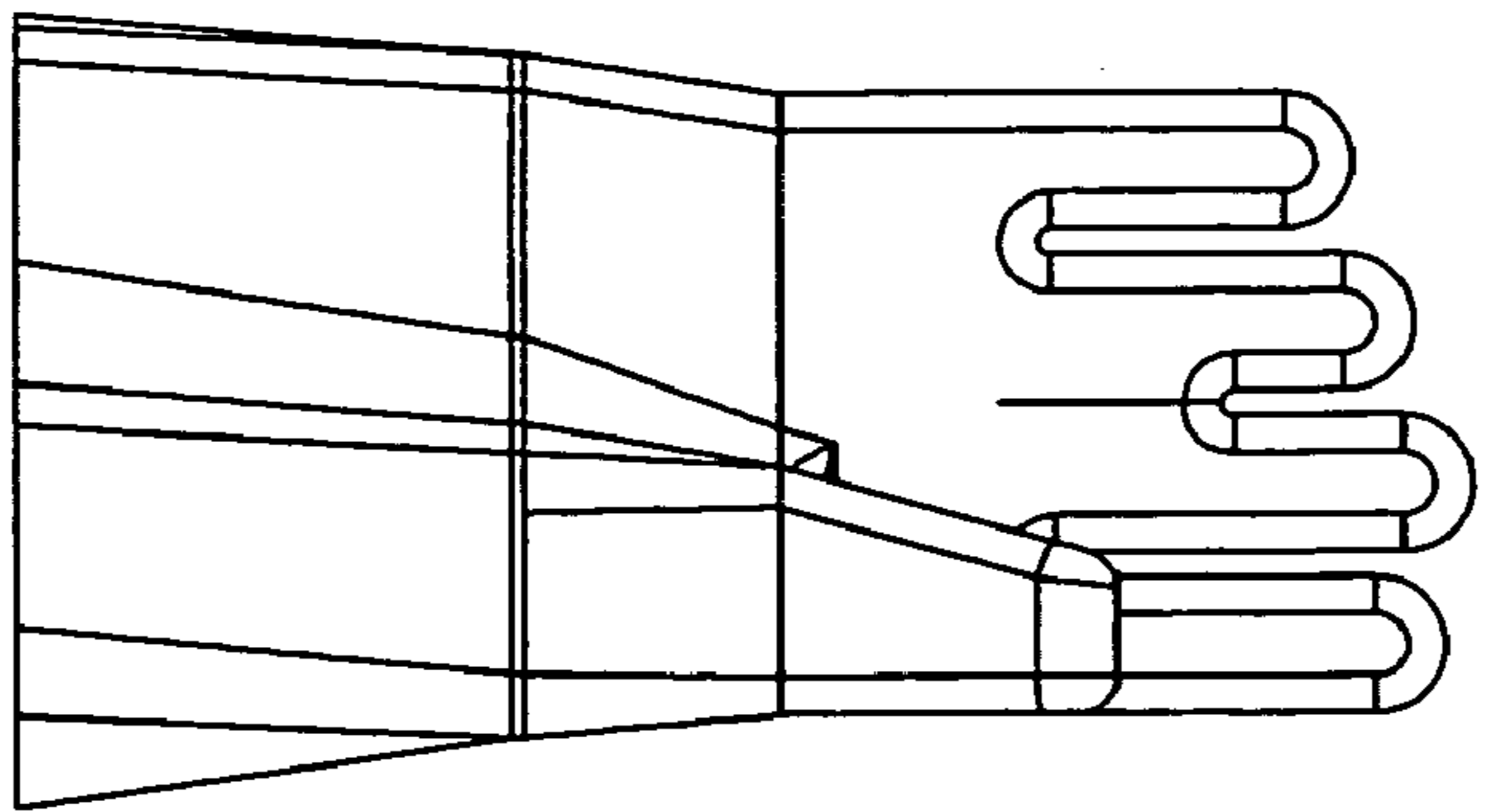


Fig. 6

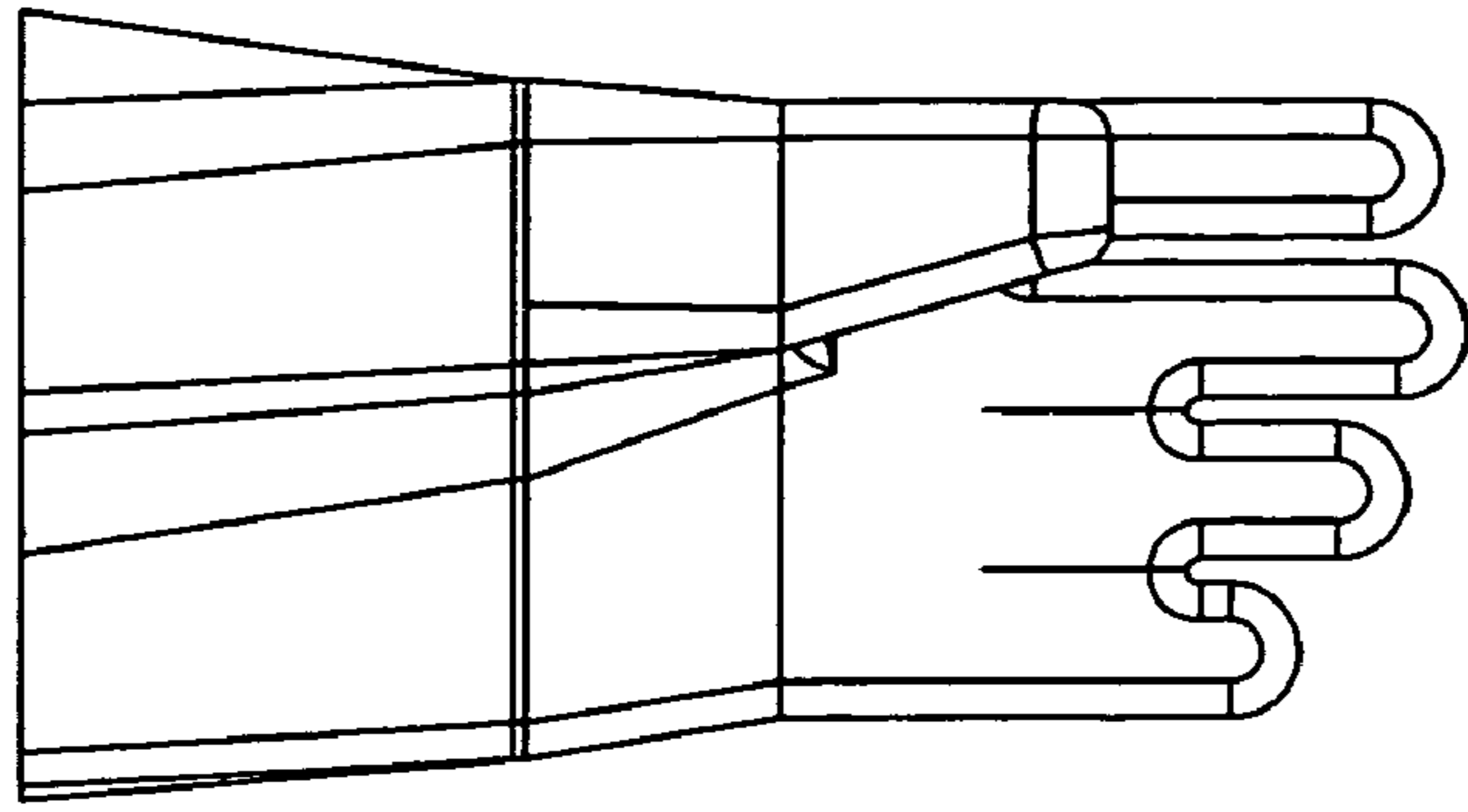


Fig. 7

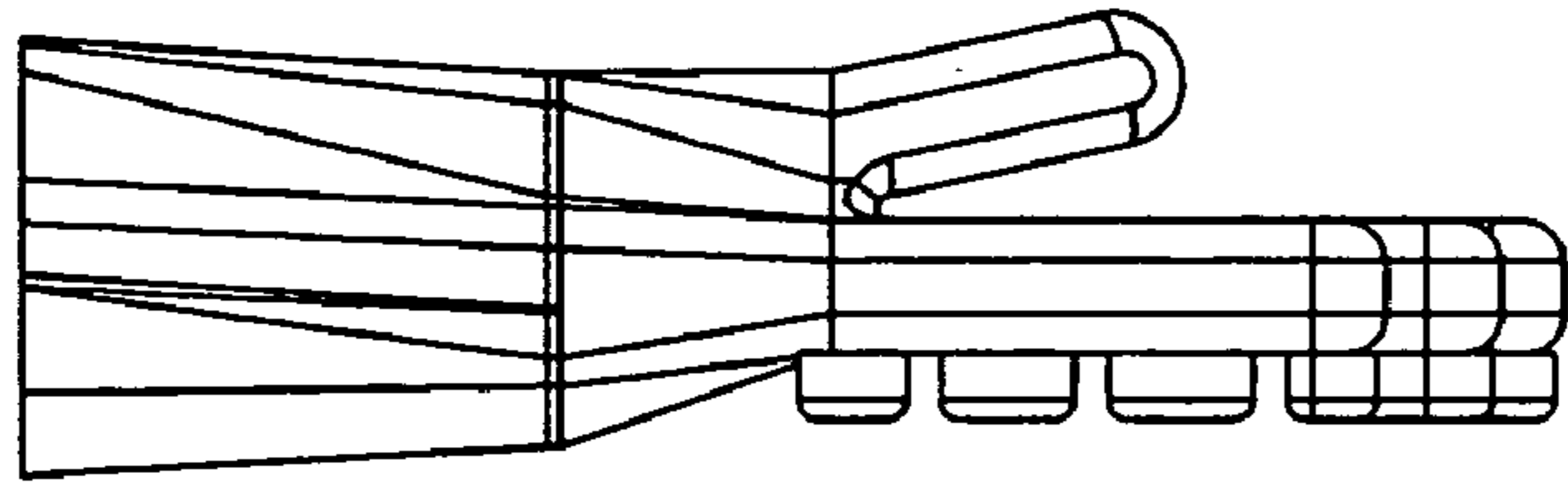


Fig. 8

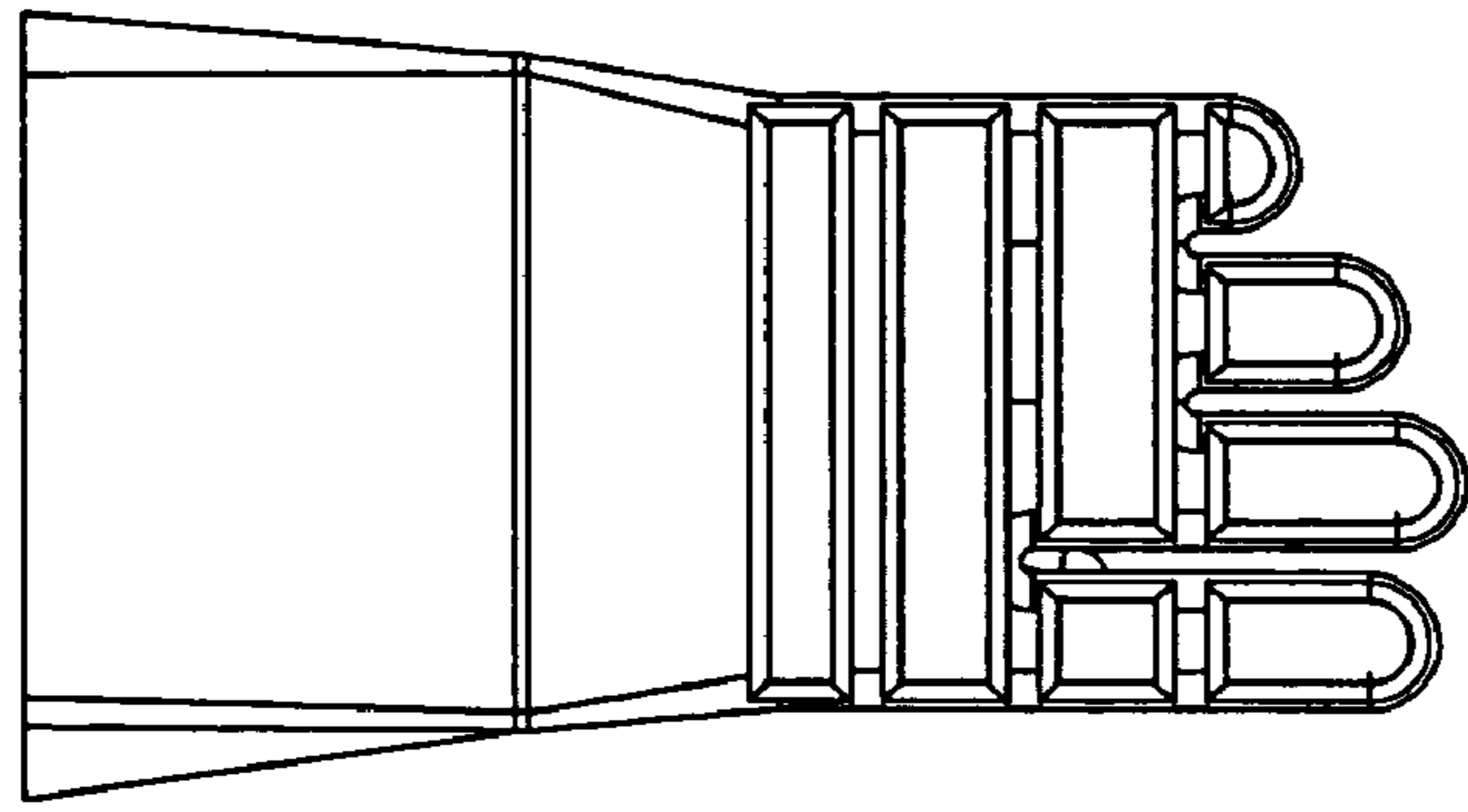


Fig. 9

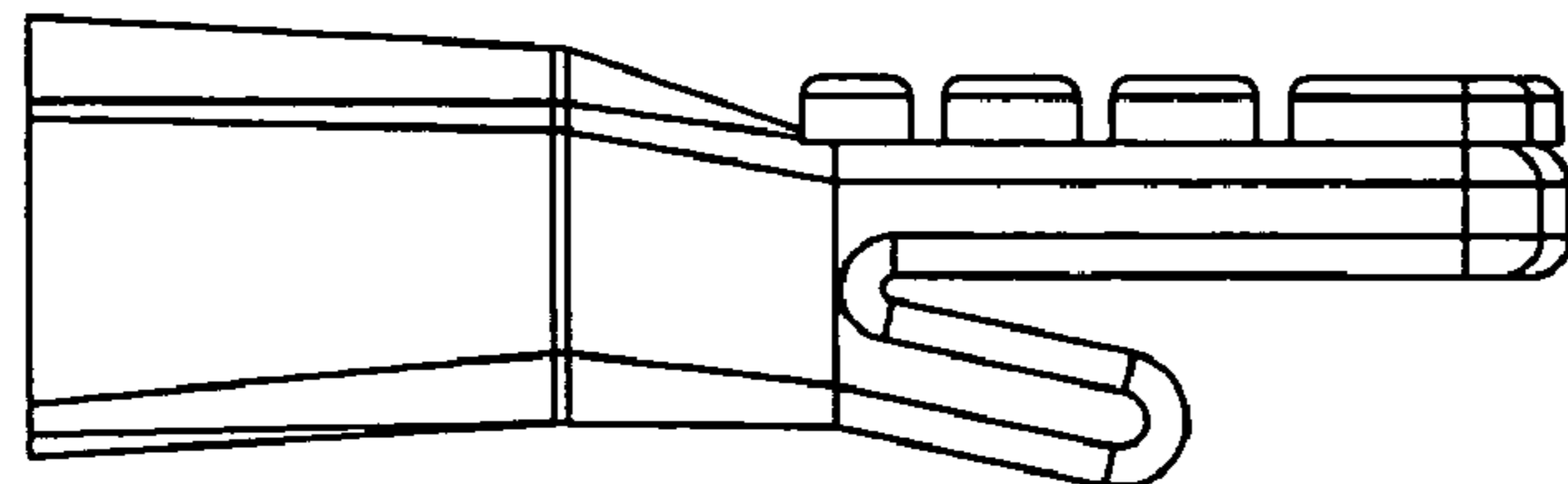


Fig. 10