



US00D580101S

(12) **United States Design Patent**
Pichon

(10) **Patent No.:** **US D580,101 S**

(45) **Date of Patent:** **** Nov. 4, 2008**

(54) **HAIR CLIP**

(75) Inventor: **François C. Pichon**, Oyonnax (FR)

(73) Assignee: **French Fashion (H.K.) Limited**, New Territories (HK)

(**) Term: **14 Years**

(21) Appl. No.: **29/318,423**

(22) Filed: **May 20, 2008**

(51) **LOC (8) Cl.** **28-03**

(52) **U.S. Cl.** **D28/40; D28/39**

(58) **Field of Classification Search** D28/21-34,
D28/39-43; 132/101, 126, 128-131, 144,
132/148, 219, 275-284

See application file for complete search history.

(56) **References Cited**

U.S. PATENT DOCUMENTS

| | | | | |
|--------------|--------|---------|-------|--------|
| D381,767 S * | 7/1997 | Chang | | D28/40 |
| D414,583 S * | 9/1999 | Yasuda | | D28/40 |
| D473,015 S * | 4/2003 | Shyu | | D28/40 |
| D473,678 S * | 4/2003 | Shyu | | D28/40 |
| D536,132 S * | 1/2007 | Vergona | | D28/40 |

| | | | | |
|--------------|---------|---------|-------|--------|
| D552,793 S * | 10/2007 | Pichon | | D28/40 |
| D554,288 S * | 10/2007 | Vergona | | D28/40 |
| D561,394 S * | 2/2008 | Pichon | | D28/40 |
| D562,498 S * | 2/2008 | Vergona | | D28/40 |

* cited by examiner

Primary Examiner—Janice E Seeger

Assistant Examiner—Zenia I Bennett

(74) *Attorney, Agent, or Firm*—Rabin & Berdo, P.C.

(57) **CLAIM**

The ornamental design for a hair clip, as shown and described.

DESCRIPTION

FIG. 1 is a front view of a hair clip showing my new design; the rear view is a mirror image of the front view;

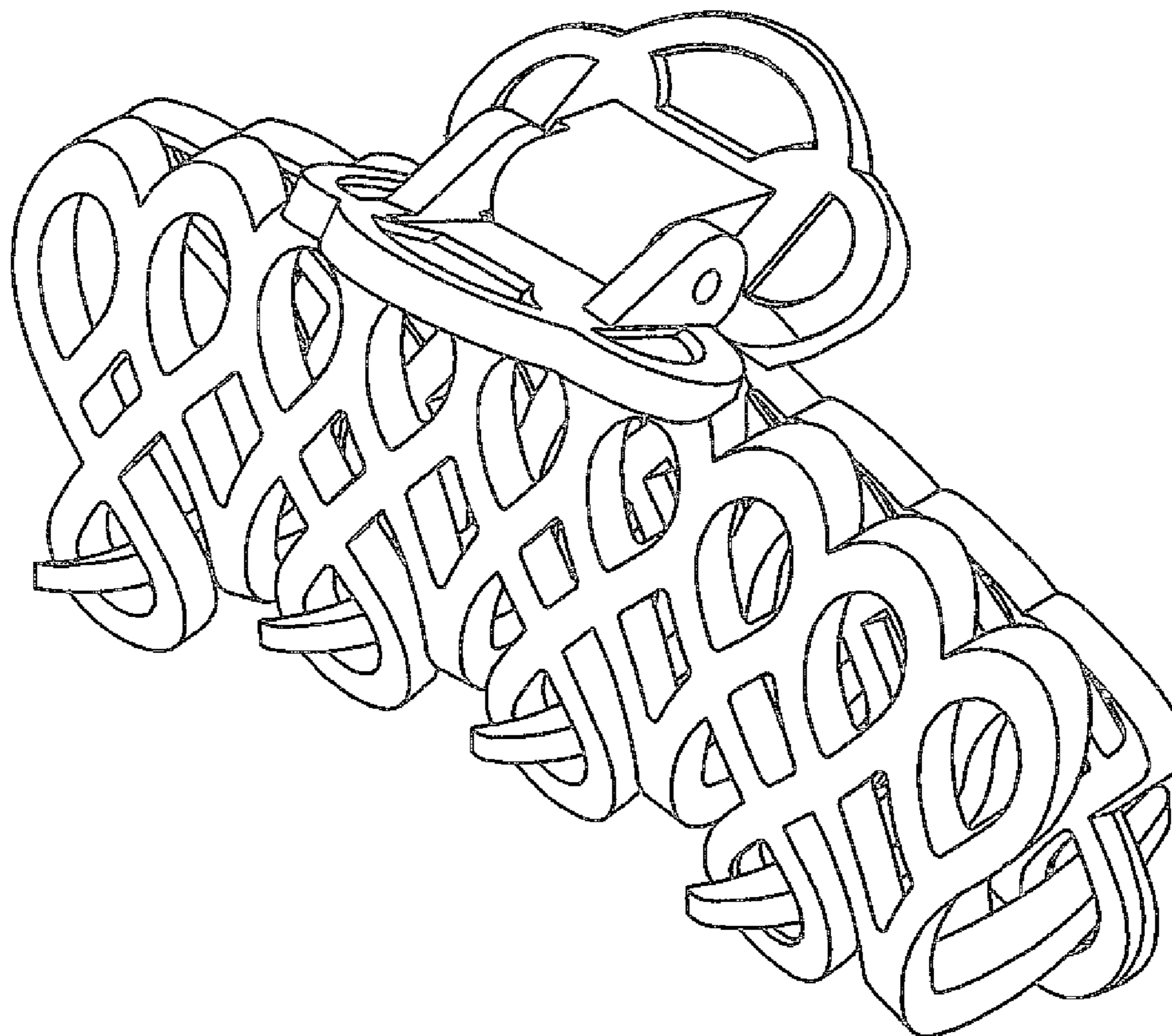
FIG. 2 is a left side view thereof; the right side view is a mirror image of the left side view;

FIG. 3 is a top view thereof;

FIG. 4 is a bottom view thereof; and,

FIG. 5 is a perspective view thereof.

1 Claim, 3 Drawing Sheets



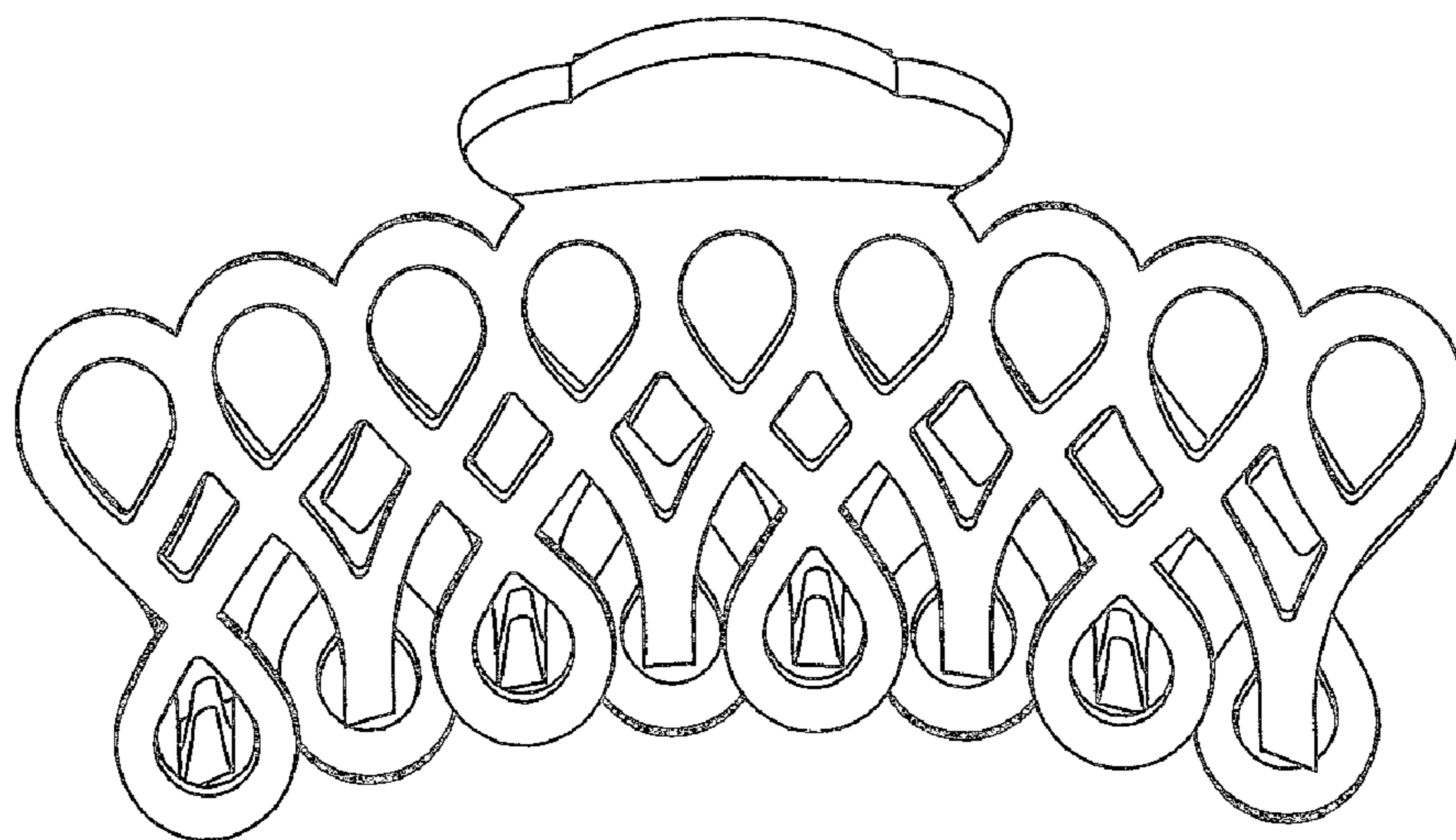


Fig. 1

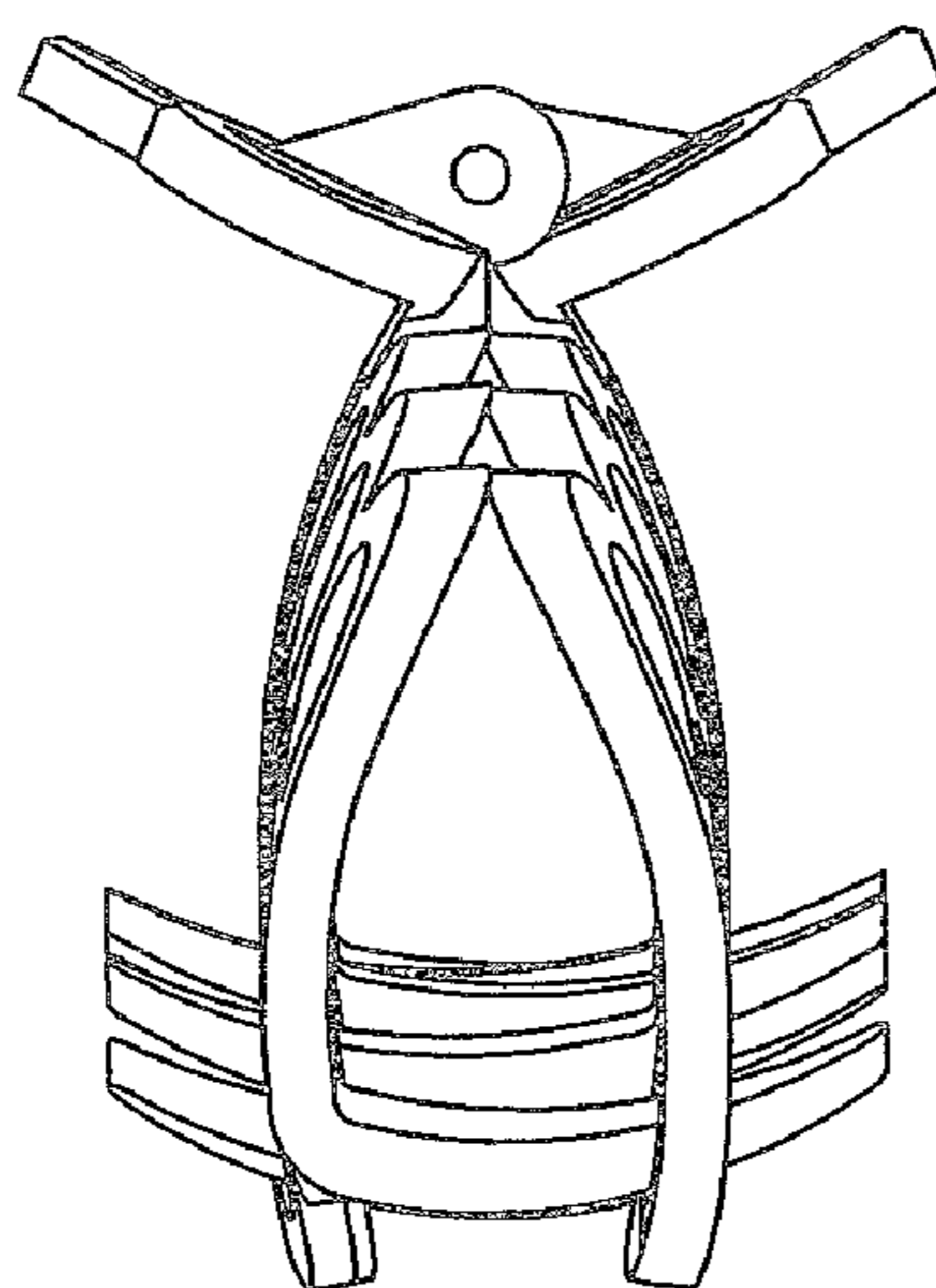


Fig. 2

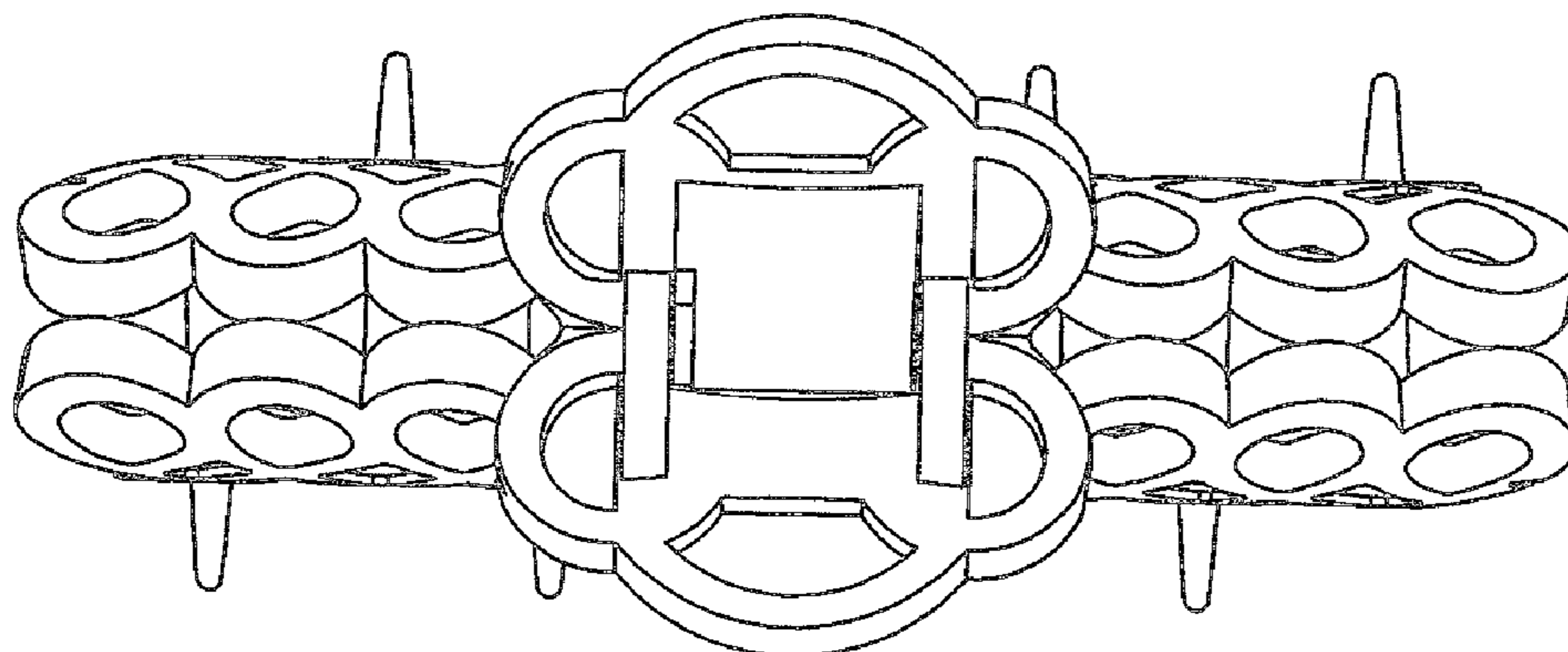


Fig. 3

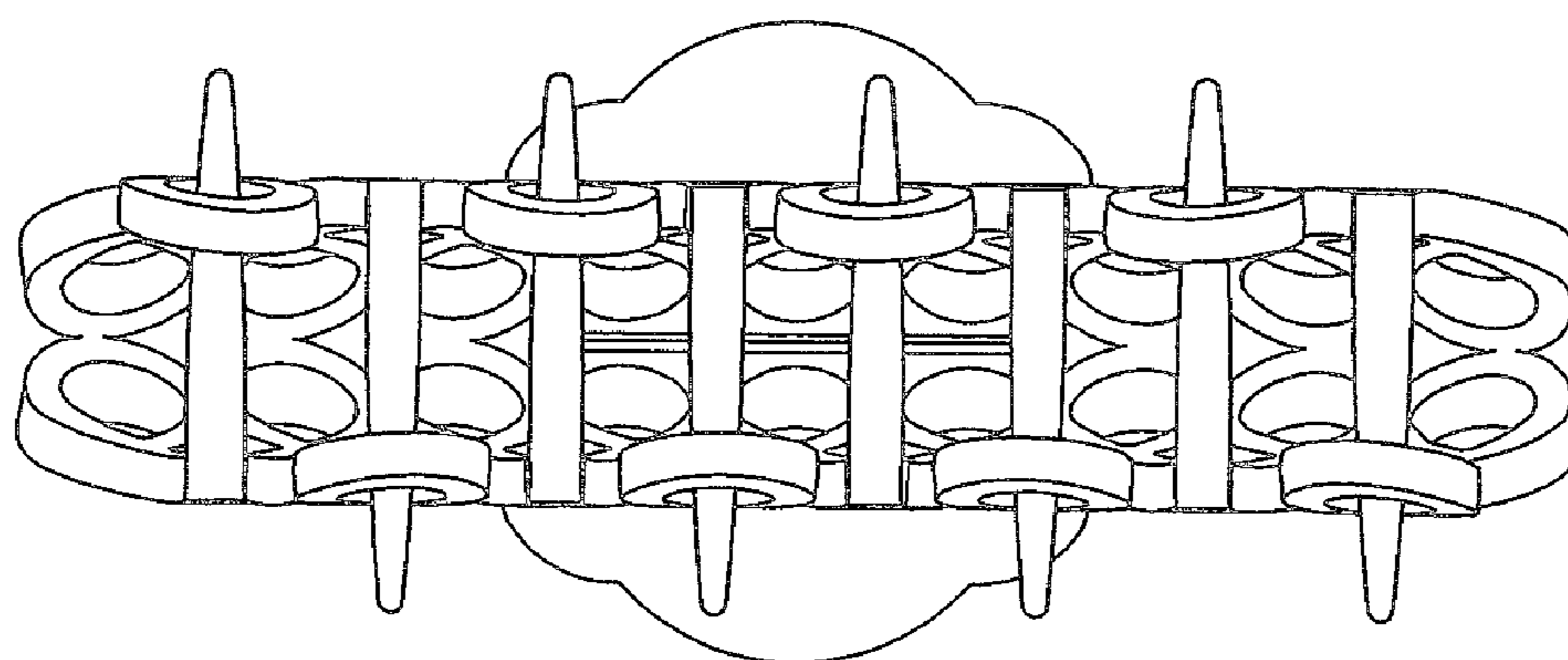


Fig. 4

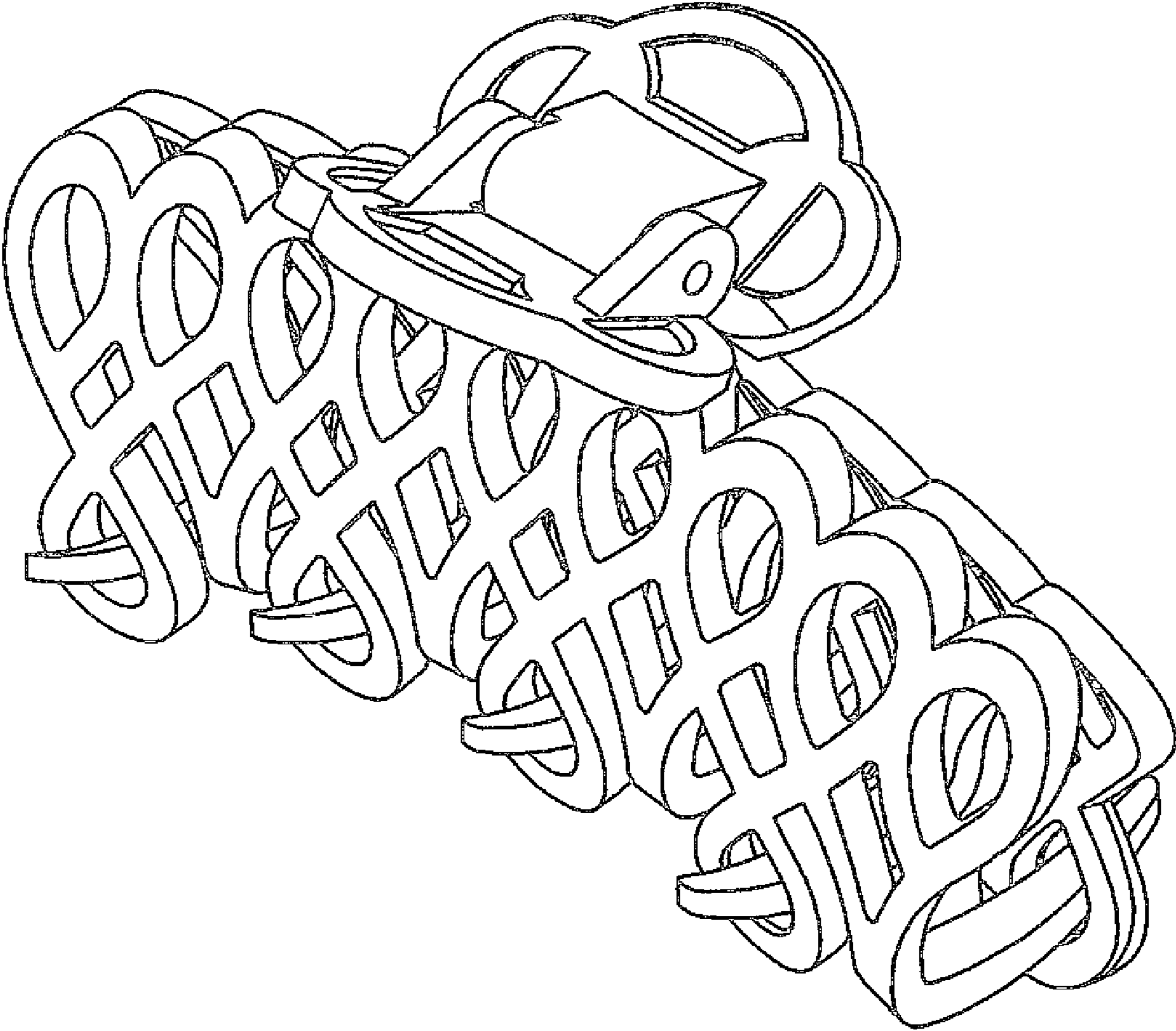


Fig. 5