



US00D580096S

(12) **United States Design Patent**
Hara et al.

(10) **Patent No.:** **US D580,096 S**
(45) **Date of Patent:** **** Nov. 4, 2008**

(54) **PIEZOELECTRIC DEVICE**

(75) Inventors: **Akitoshi Hara**, Fujimi (JP); **Katsuo Ishikawa**, Tatsuna (JP); **Yukihiro Tonegawa**, Minowa (JP)

(73) Assignee: **Epson Toyocom Corporation** (JP)

(**) Term: **14 Years**

(21) Appl. No.: **29/292,400**

(22) Filed: **Oct. 11, 2007**

(30) **Foreign Application Priority Data**

Jun. 25, 2007 (JP) 2007-016837

(51) **LOC (8) Cl.** **27-05**

(52) **U.S. Cl.** **D27/141**

(58) **Field of Classification Search** D27/139-161;
431/129, 143, 153, 253-256, 273-277; D7/416
See application file for complete search history.

(56) **References Cited**

U.S. PATENT DOCUMENTS

D218,115 S * 7/1970 Kahn D27/154
D224,339 S * 7/1972 Goto D27/157

D226,128 S * 1/1973 Rams D27/154
D289,801 S * 5/1987 Fujisawa D27/154
D537,979 S * 3/2007 Chen D27/154

* cited by examiner

Primary Examiner—Jennifer Rivard

(74) *Attorney, Agent, or Firm*—Harness, Dickey & Pierce, P.L.C.

(57) **CLAIM**

The ornamental design for a piezoelectric device, as shown and described.

DESCRIPTION

FIG. 1 is a front view of a piezoelectric device embodying our new design, the rear view being a mirror image thereof;

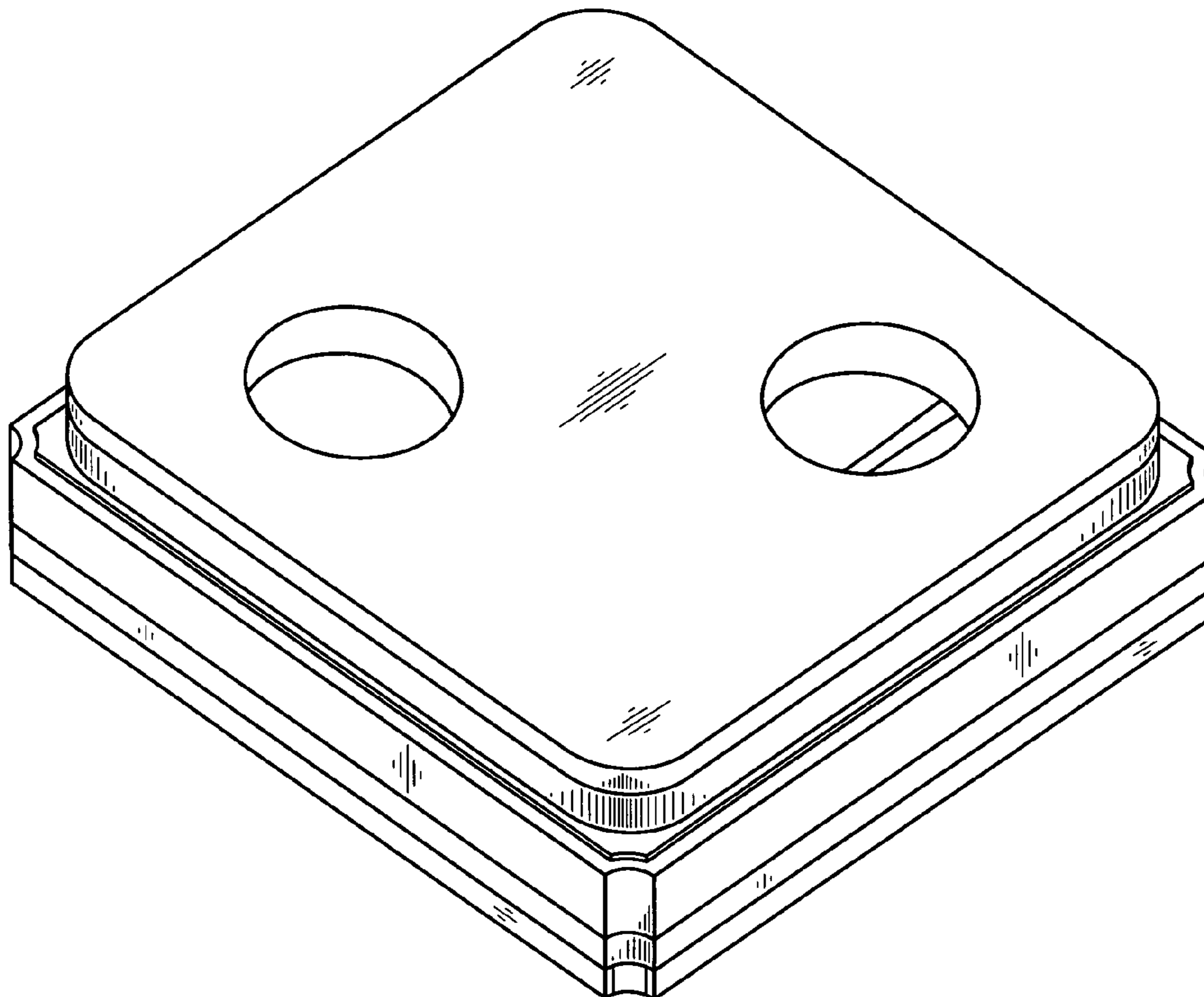
FIG. 2 is a left side view thereof, the right side view being a mirror image thereof;

FIG. 3 is a top view thereof;

FIG. 4 is a bottom view thereof; and,

FIG. 5 is a perspective view thereof.

1 Claim, 3 Drawing Sheets



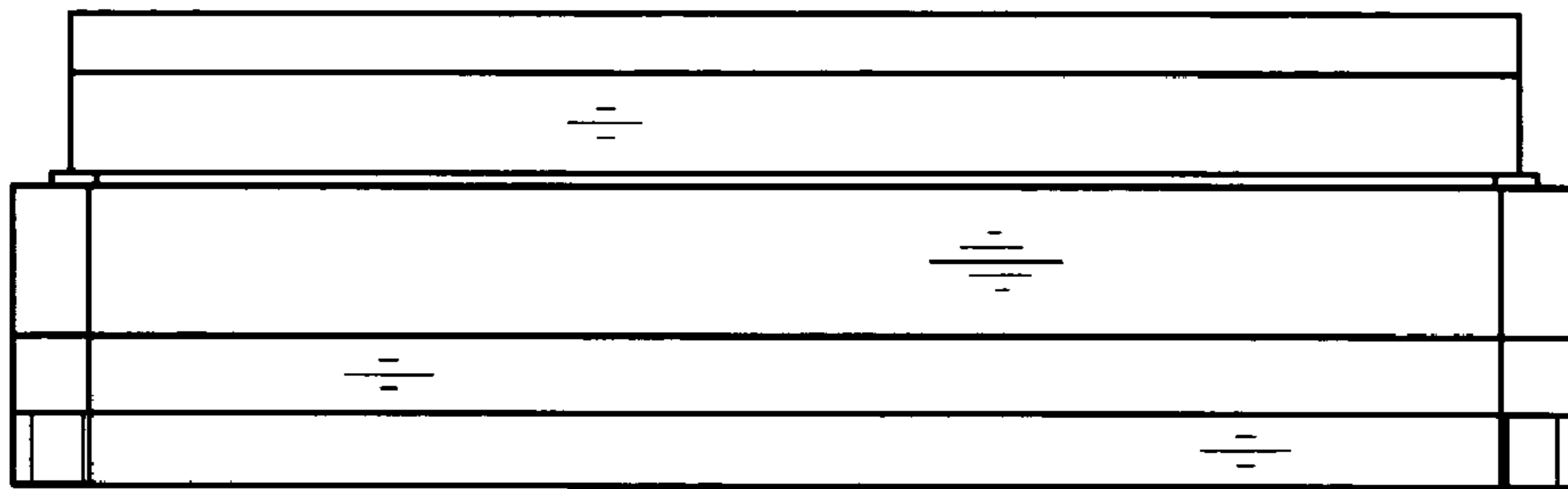


FIG. 1

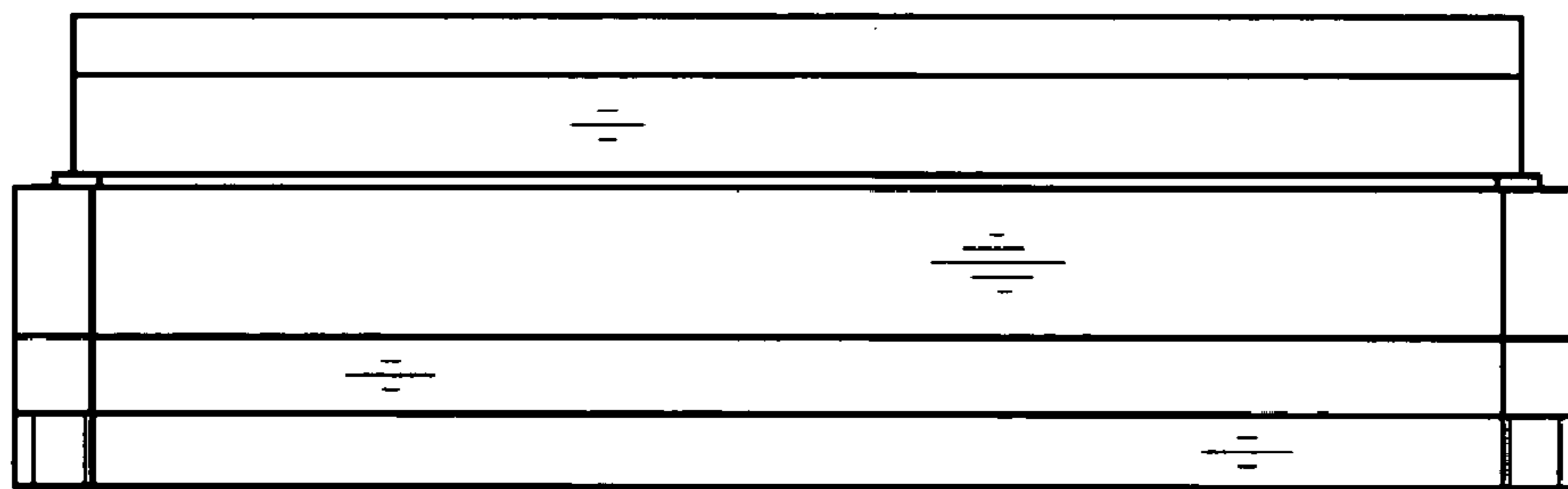


FIG. 2

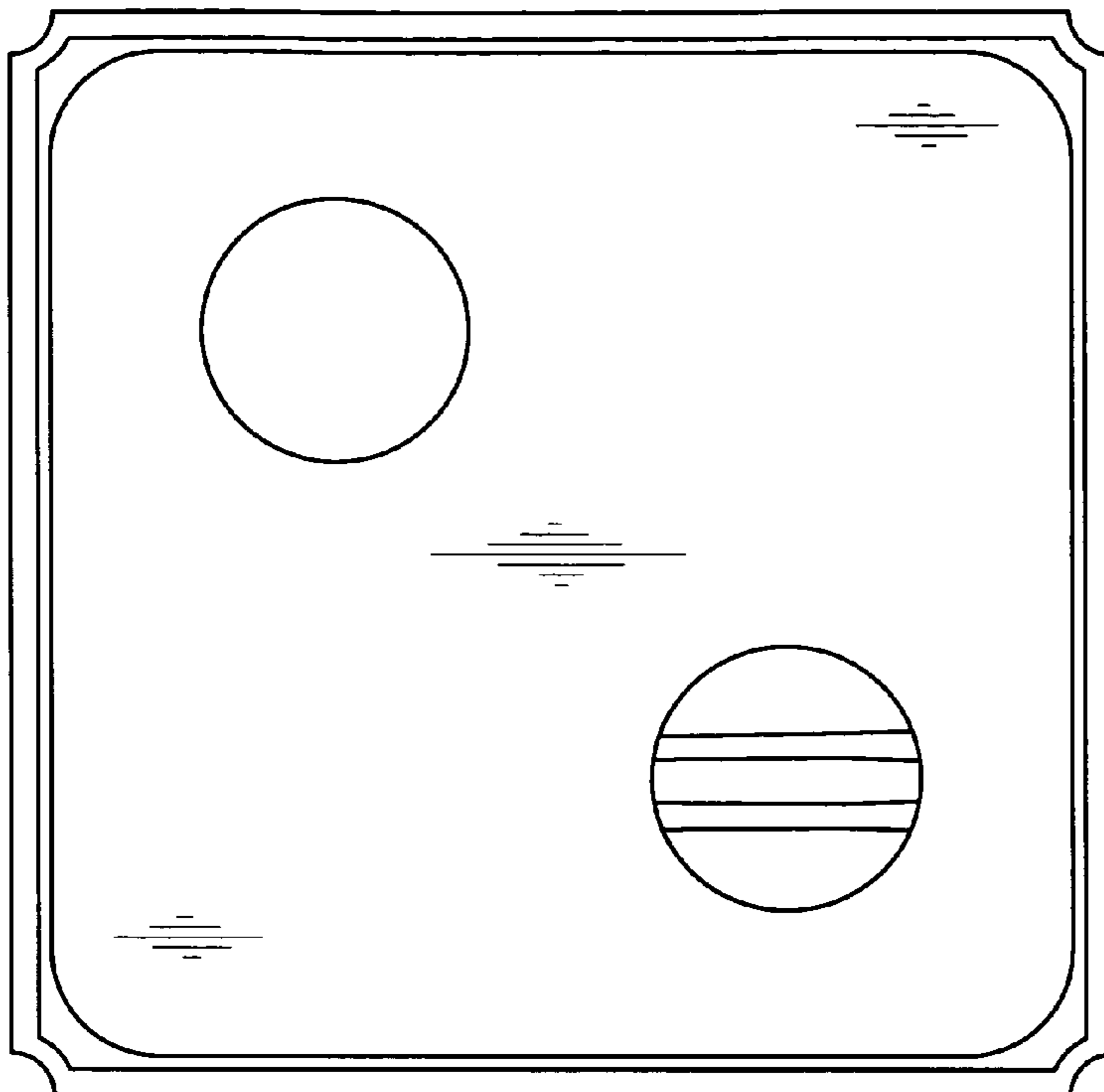


FIG. 3

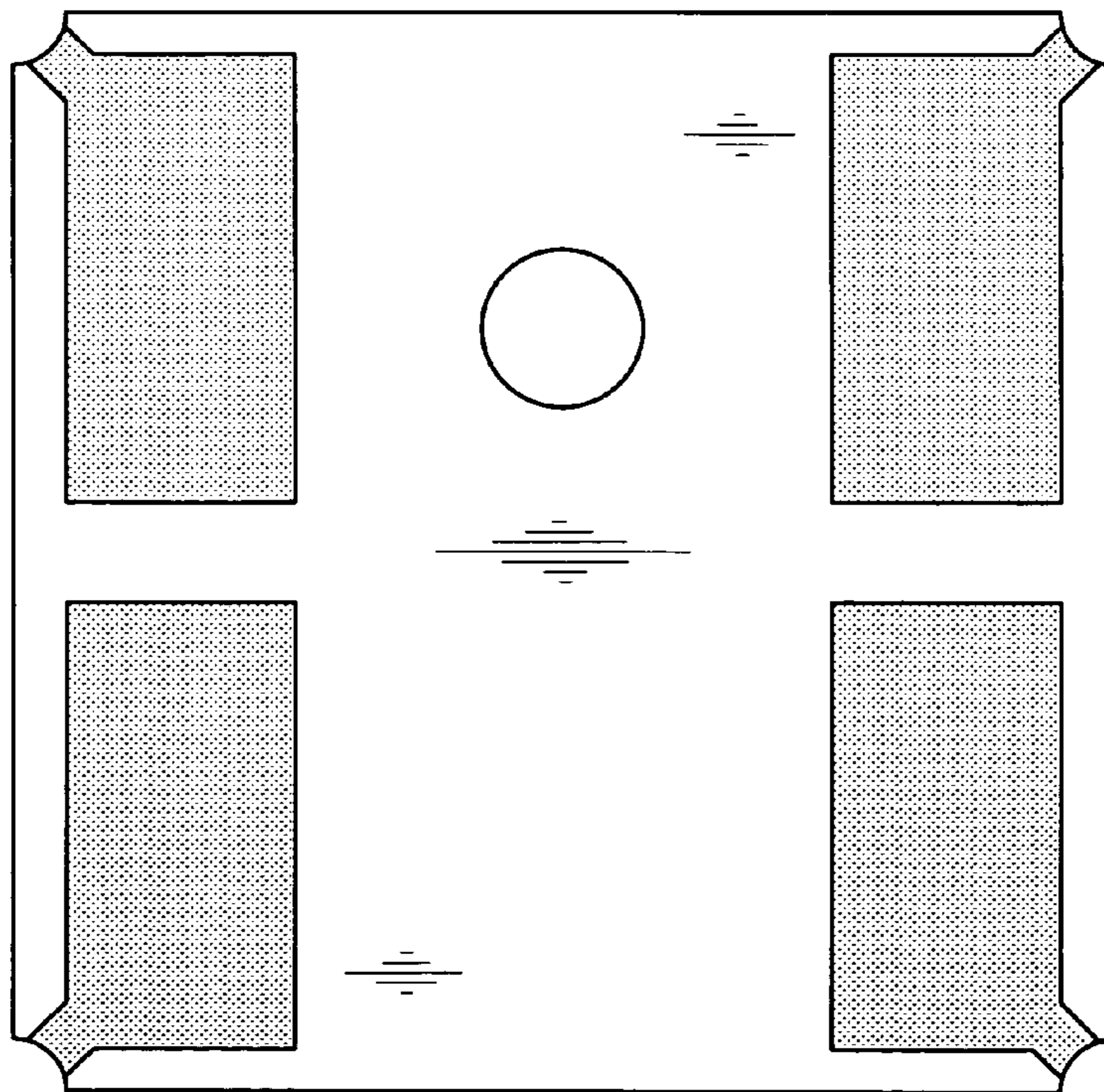


FIG. 4

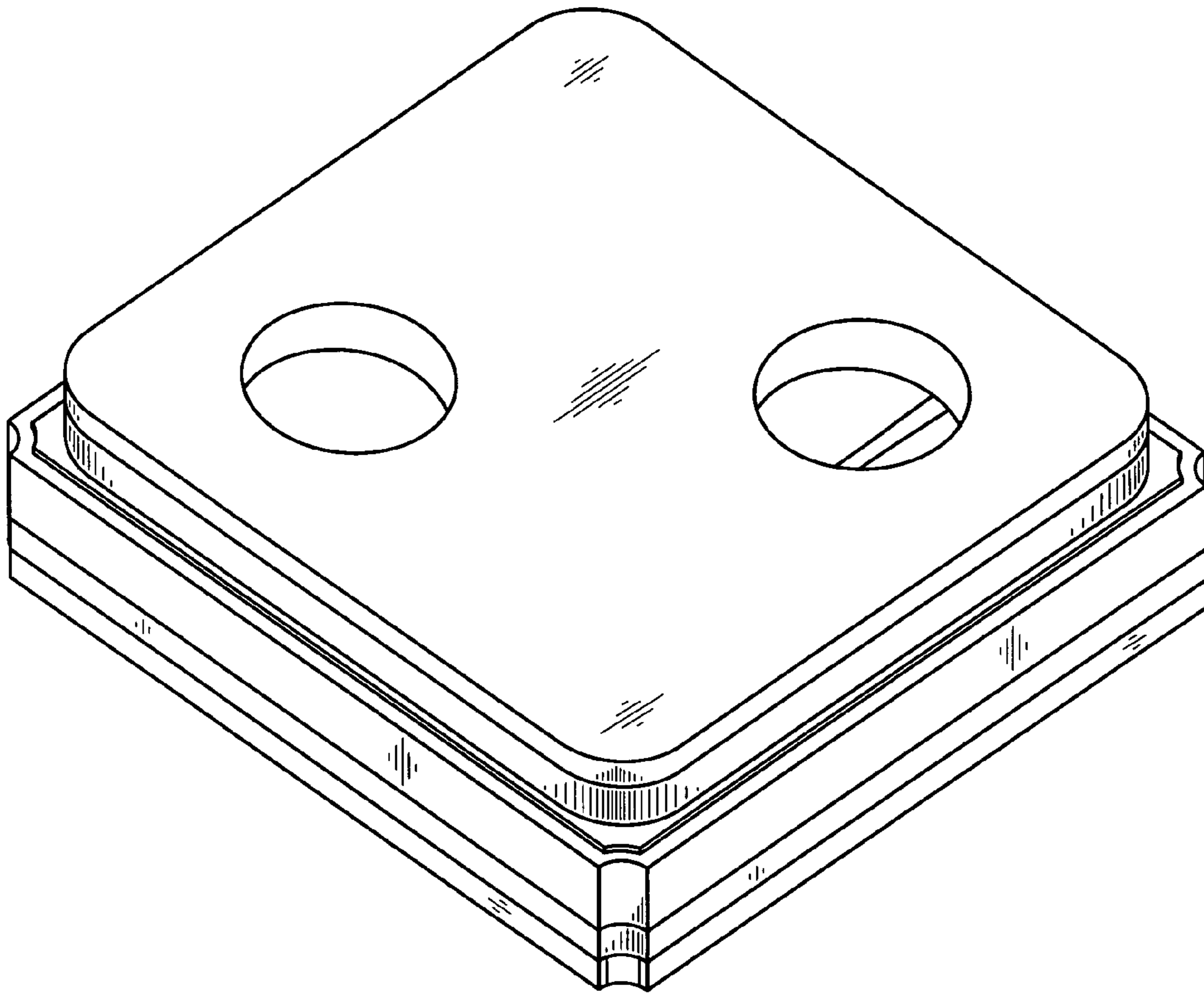


FIG. 5