



US00D580094S

(12) **United States Design Patent**
Lehman

(10) **Patent No.:** **US D580,094 S**
(45) **Date of Patent:** **** Nov. 4, 2008**

(54) **PORTION OF A LIGHT FIXTURE**

(75) Inventor: **Gregg Arthur Lehman**, Peachtree City, GA (US)

(73) Assignee: **Cooper Technologies Company**, Houston, TX (US)

(**) Term: **14 Years**

(21) Appl. No.: **29/288,045**

(22) Filed: **May 29, 2007**

(51) **LOC (8) Cl.** **26-99**

(52) **U.S. Cl.** **D26/140**

(58) **Field of Classification Search** D26/81,
D26/155, 145, 86, 87, 113, 118, 128, 138,
D26/85, 92, 97, 94, 65, 63, 62, 107, 142,
D26/140, 120, 2, 25, 26, 37, 46, 72, 75, 76,
D26/79, 103, 119, 124; 362/311, 309, 308,
362/242, 147, 360, 151, 644, 654, 260, 363,
362/382, 395, 410, 432

See application file for complete search history.

(56) **References Cited**

U.S. PATENT DOCUMENTS

2,524,173	A *	10/1950	Peterson	248/229.15
2,707,228	A *	4/1955	Philipson	362/208
3,233,092	A *	2/1966	Umholtz	362/183
D402,384	S *	12/1998	Chen	D26/63
6,267,487	B1 *	7/2001	Tucker et al.	362/382
D447,260	S *	8/2001	Demshki	D26/63
6,682,303	B2 *	1/2004	Wu	416/5

OTHER PUBLICATIONS

Cooper Lighting, Halo Power-Trac, MiniLume, available at least as early as Apr. 13, 2007.

Amerlux Lighting Solutions, Product Selector, ED17 Metal Halide, available at least as early as Apr. 13, 2007.

Amerlux Lighting Solutions, Product Selector, T4 Metal Halide, available at least as early as Apr. 13, 2007.

Amerlux Lighting Solutions, Product Selector, T6 Metal Halide, available at least as early as Apr. 13, 2007.

Amerlux Lighting Solutions, Amerlux Lighting Solutions Introduces Topaz T4 the Smallest Metal Halide Track Spot on the Market Today, Topaz 20W T4 Metal Halide, available at least as early as Apr. 13, 2007.

* cited by examiner

Primary Examiner—Freda S. Nunn

Assistant Examiner—Kevin K Rudzinski

(74) *Attorney, Agent, or Firm*—Saidman DesignLaw Group

(57) **CLAIM**

The ornamental design for a portion of a light fixture, as shown and described.

DESCRIPTION

FIG. 1 is a perspective view of a first embodiment of a portion of a light fixture showing my new design;

FIG. 2 is a bottom view thereof;

FIG. 3 is a top view thereof;

FIG. 4 is a right-side view thereof, the left-side view being a mirror image;

FIG. 5 is a bottom view of a second embodiment thereof;

FIG. 6 is a top view thereof;

FIG. 7 is a right-side view thereof, the left-side view being a mirror image;

FIG. 8 is a bottom view of a third embodiment thereof;

FIG. 9 is a top view thereof;

FIG. 10 is a right-side view thereof, the left-side view being a mirror image;

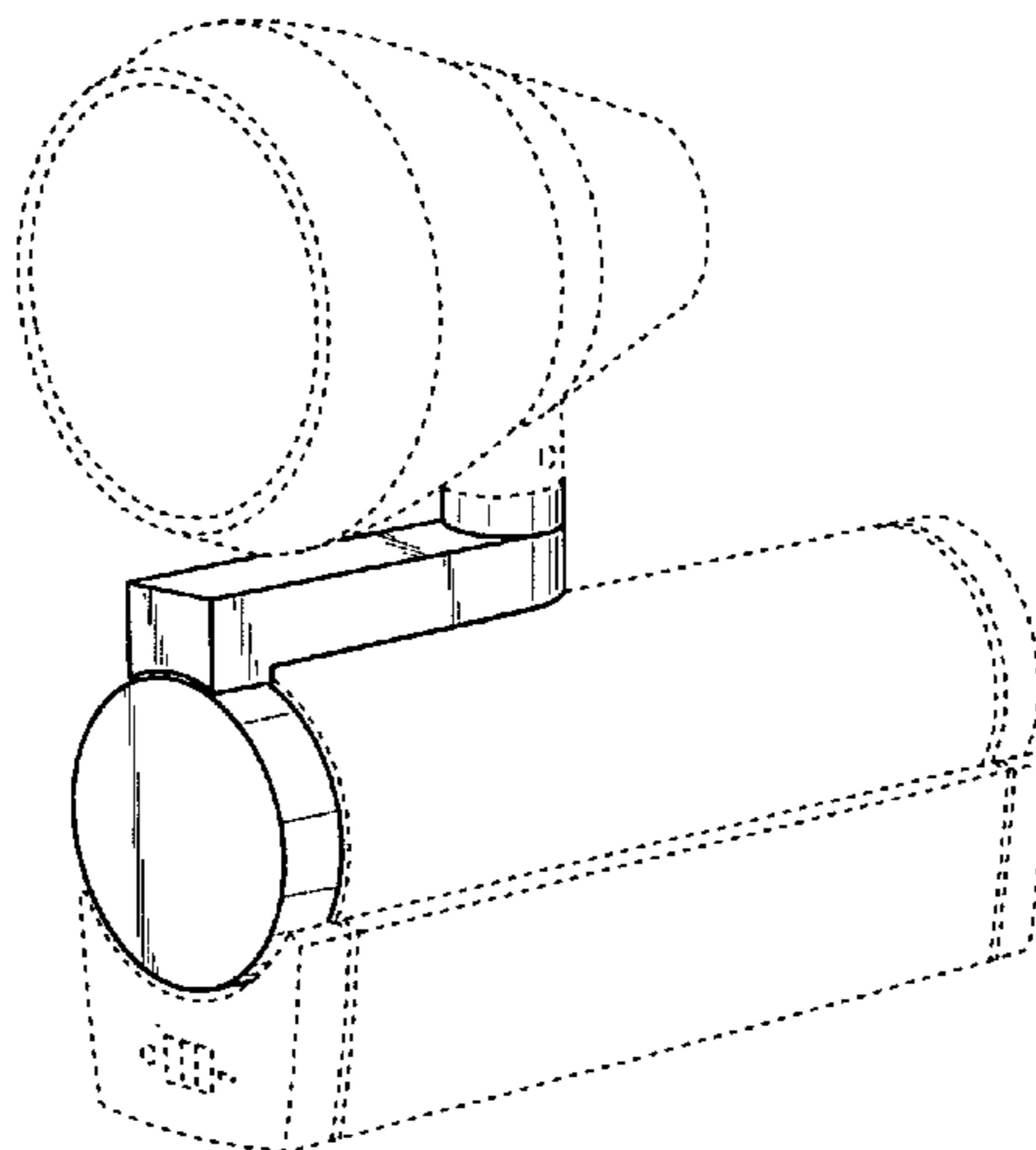
FIG. 11 is a bottom view of a fourth embodiment thereof;

FIG. 12 is a top view thereof; and,

FIG. 13 is a right-side view thereof, the left-side view being a mirror image.

The broken lines are environmental and form no part of the claimed design.

1 Claim, 11 Drawing Sheets



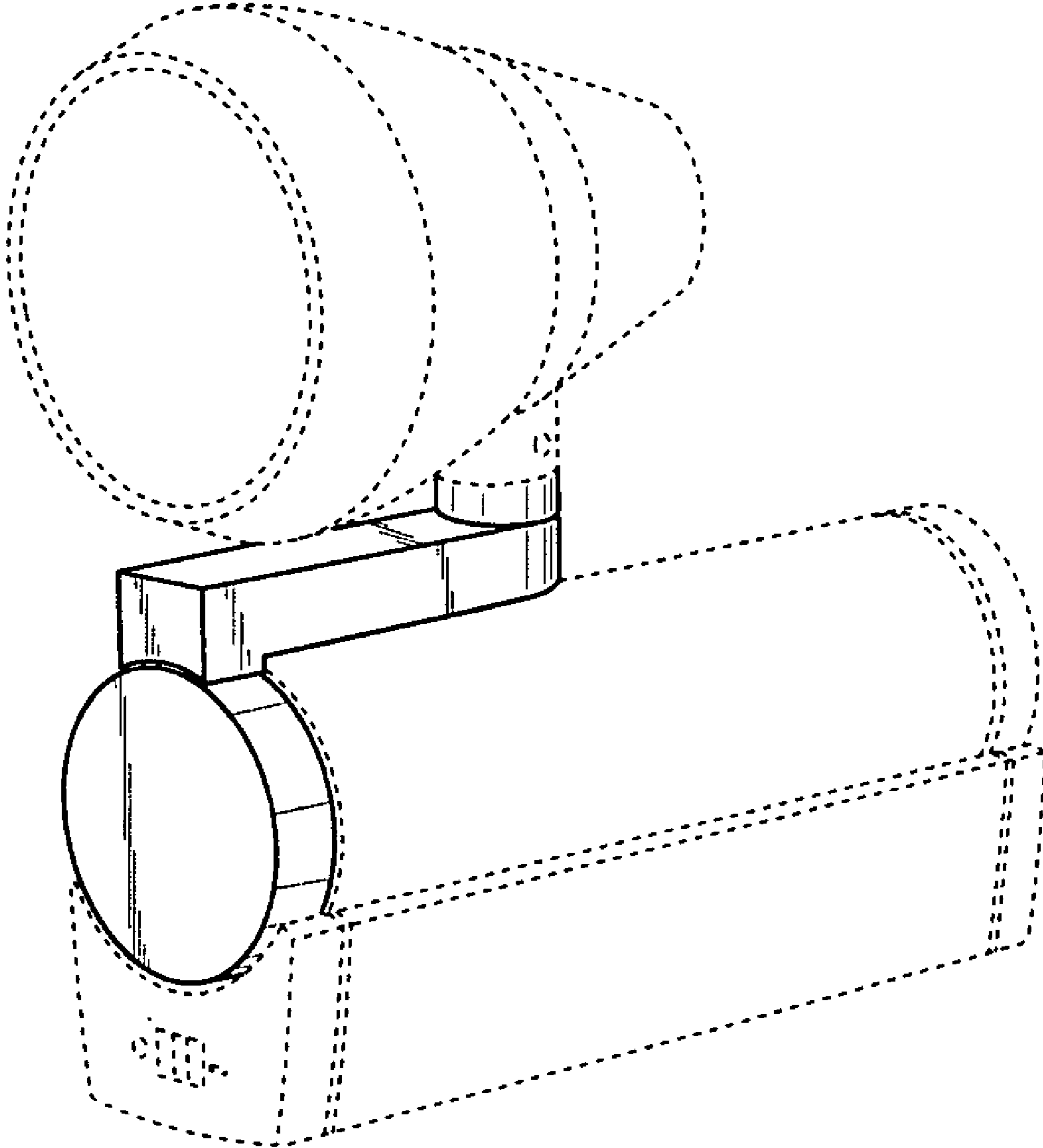


Fig. 1

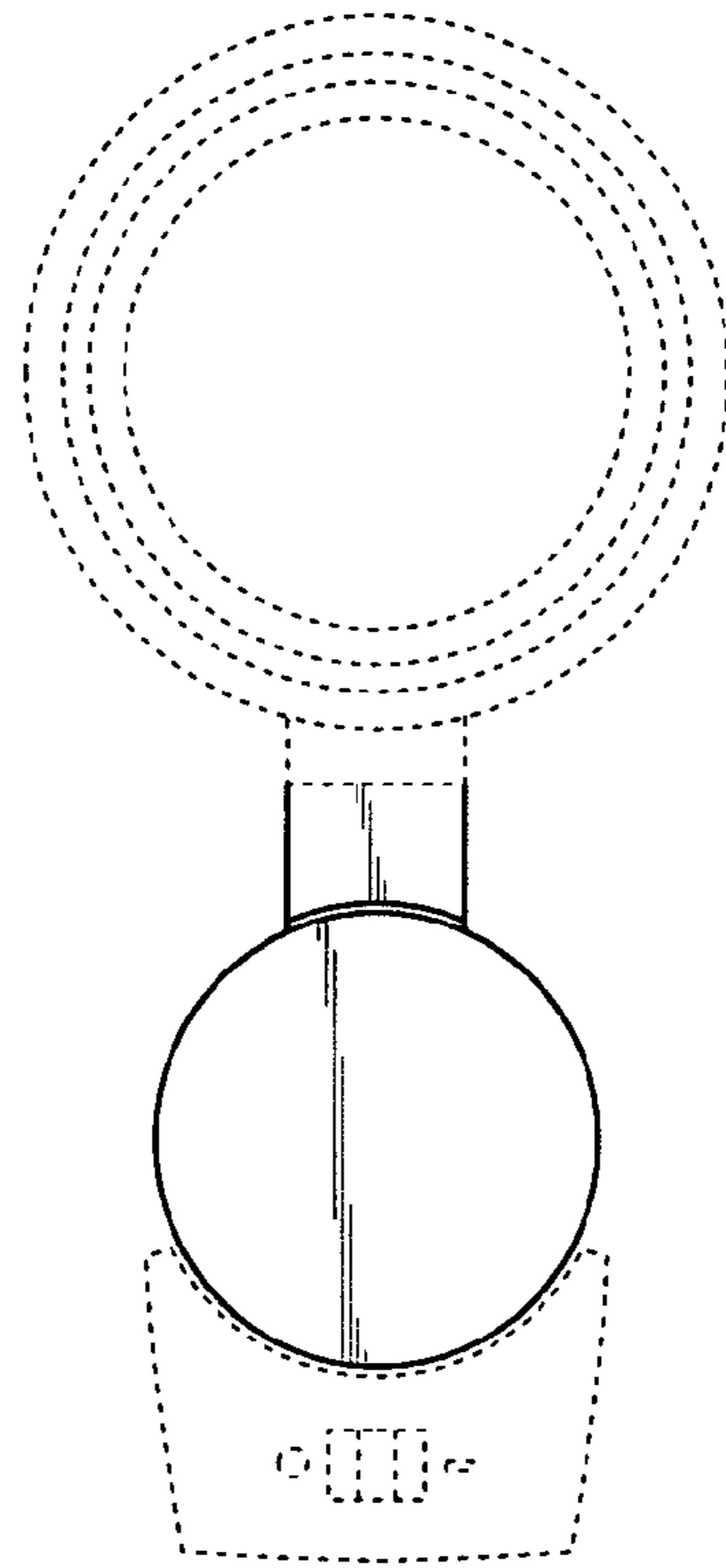


Fig. 2

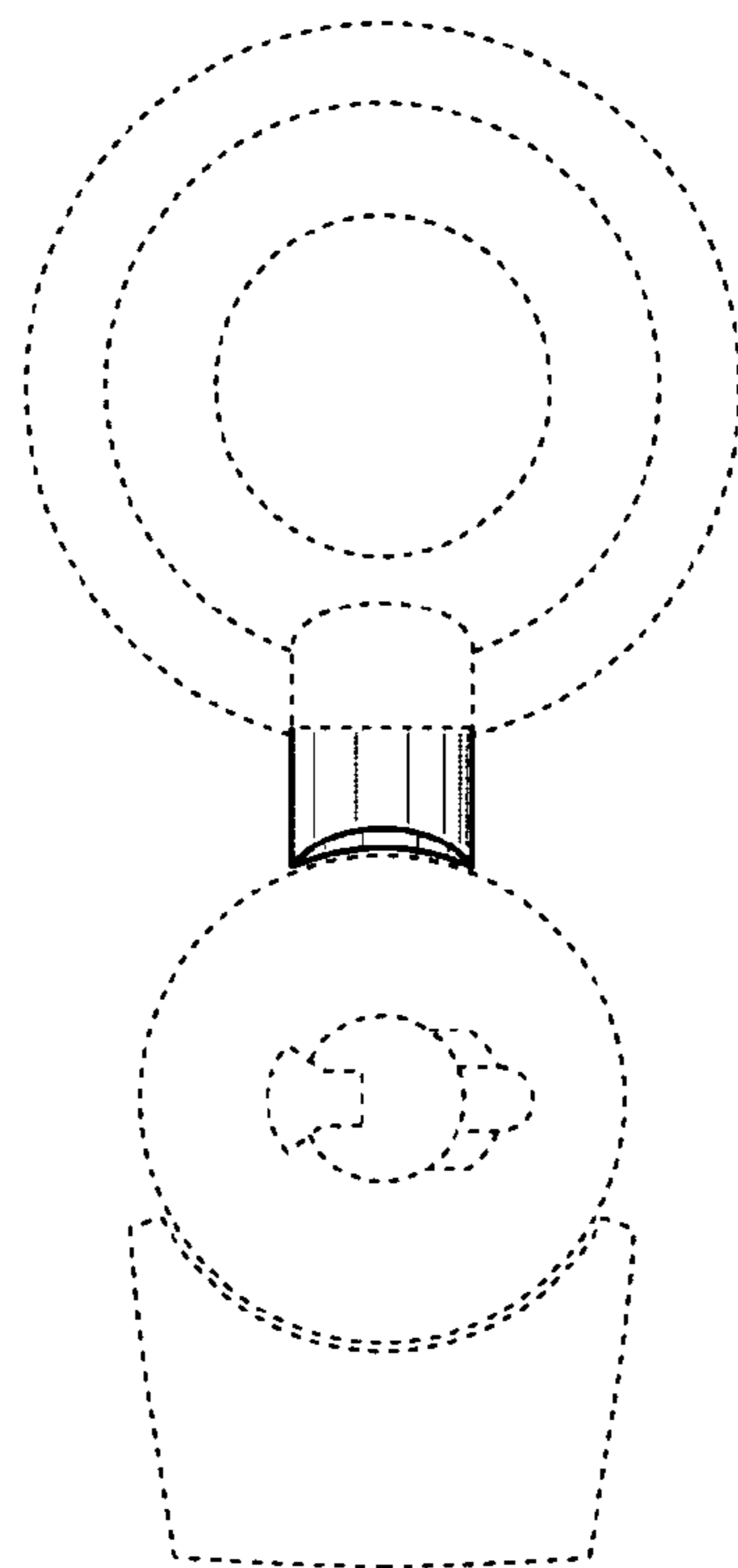


Fig. 3

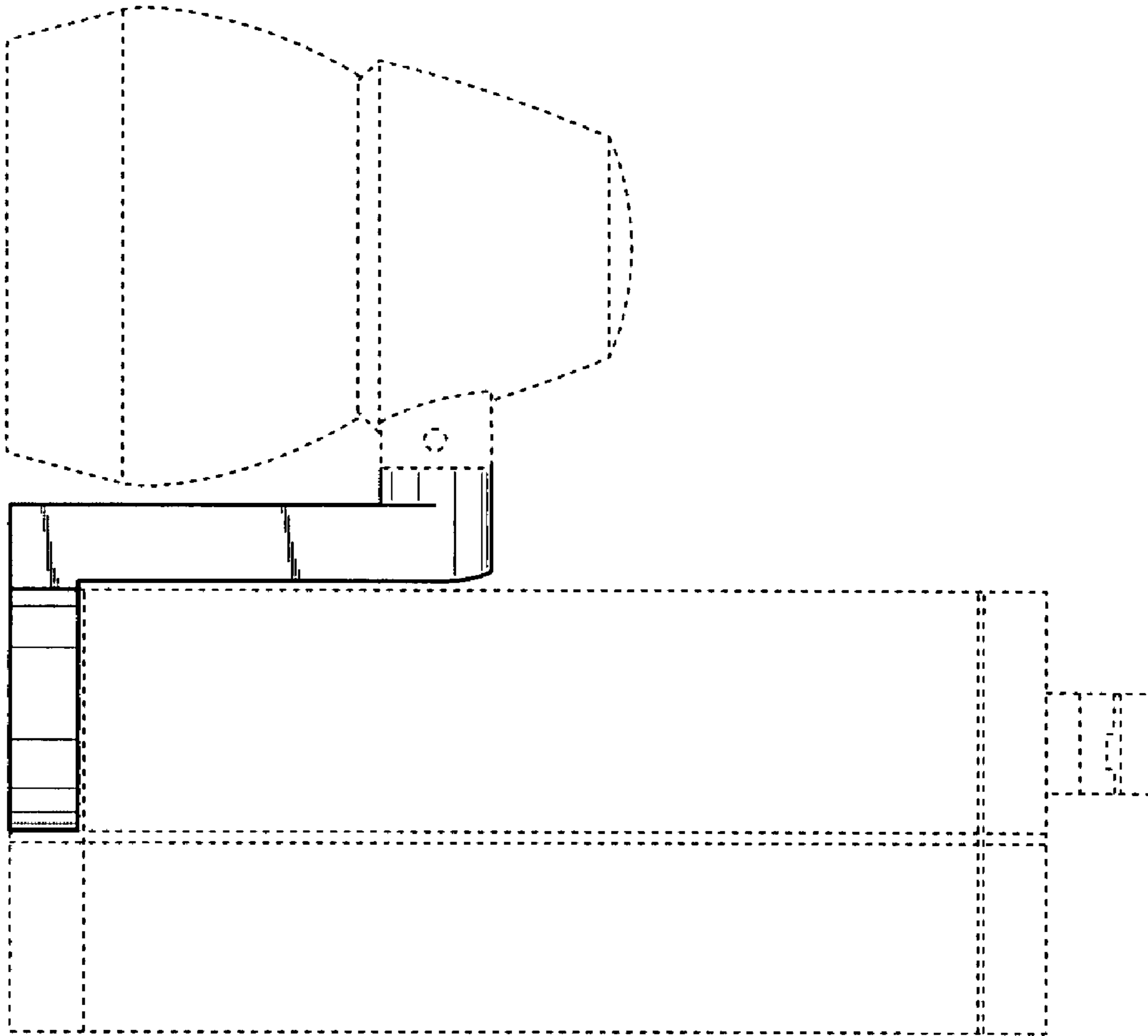


Fig. 4

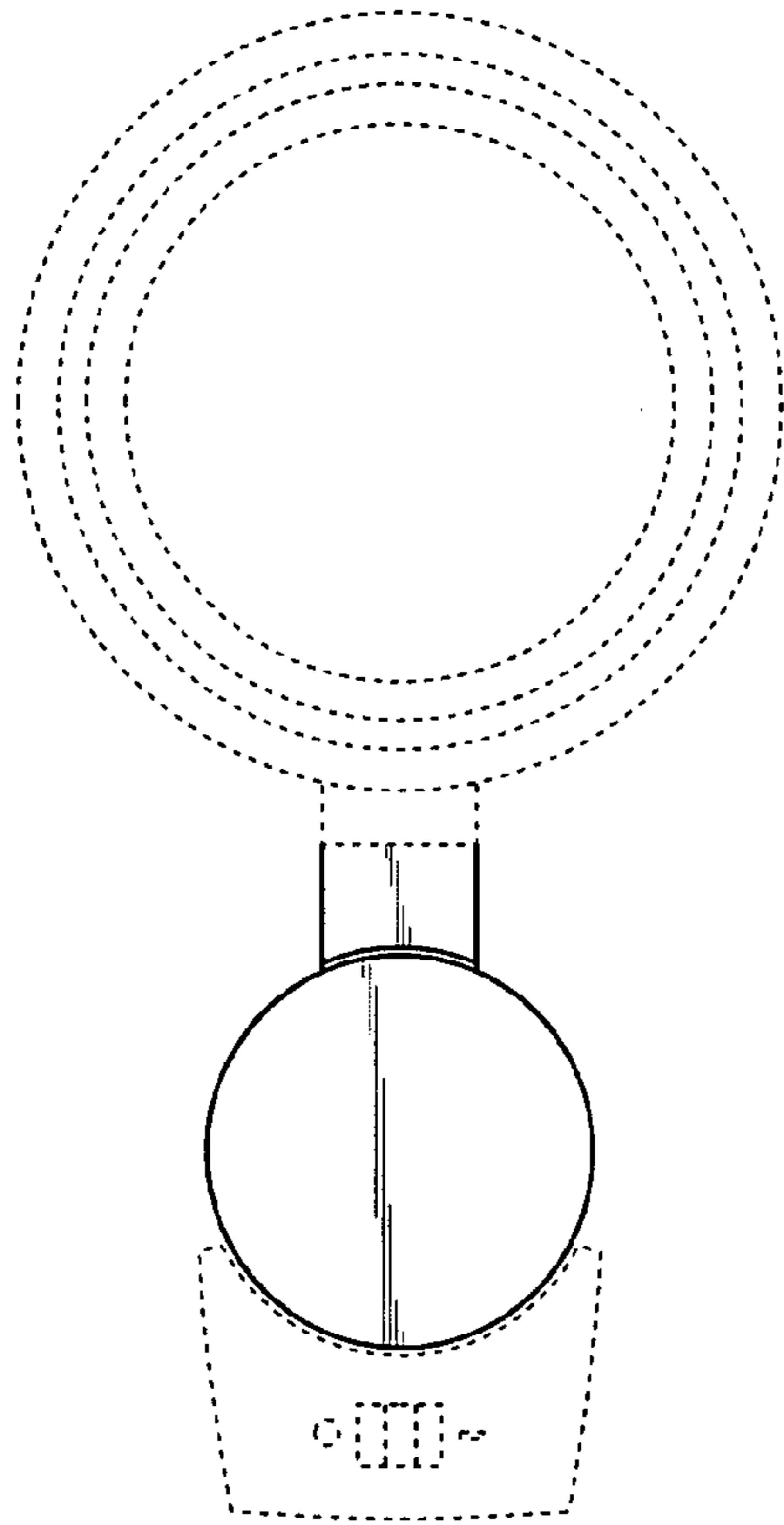


Fig. 5

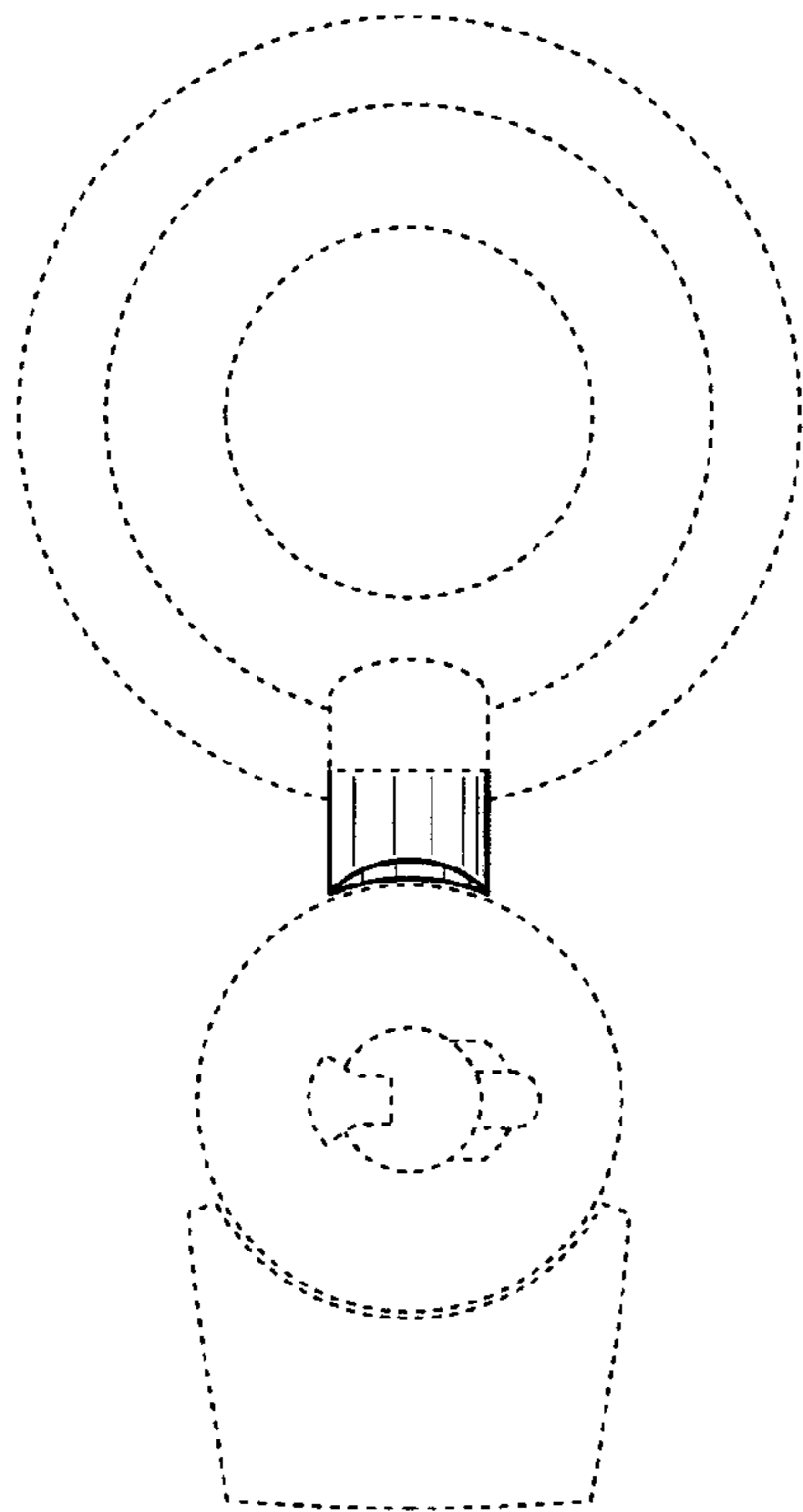


Fig. 6

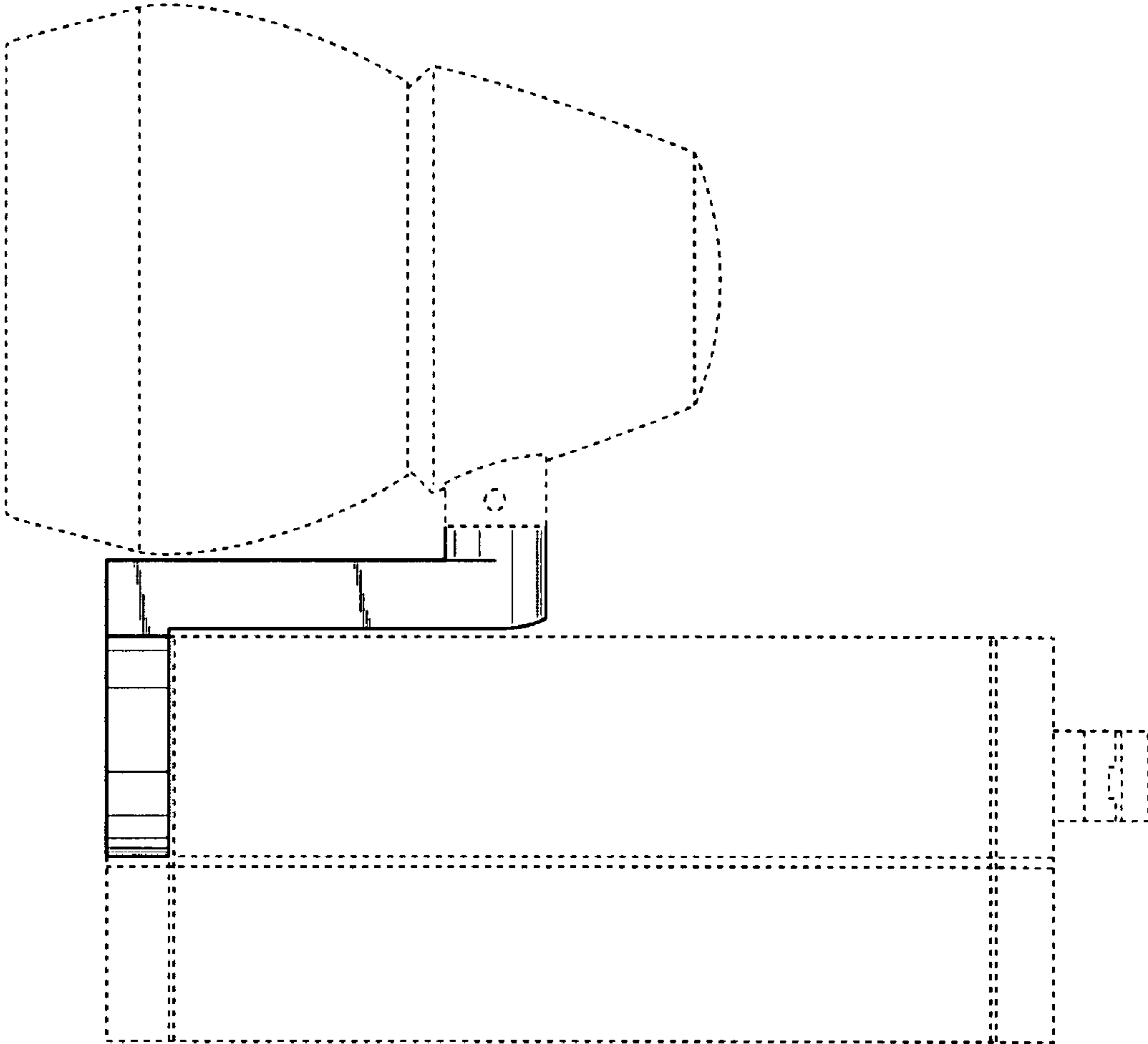


Fig. 7

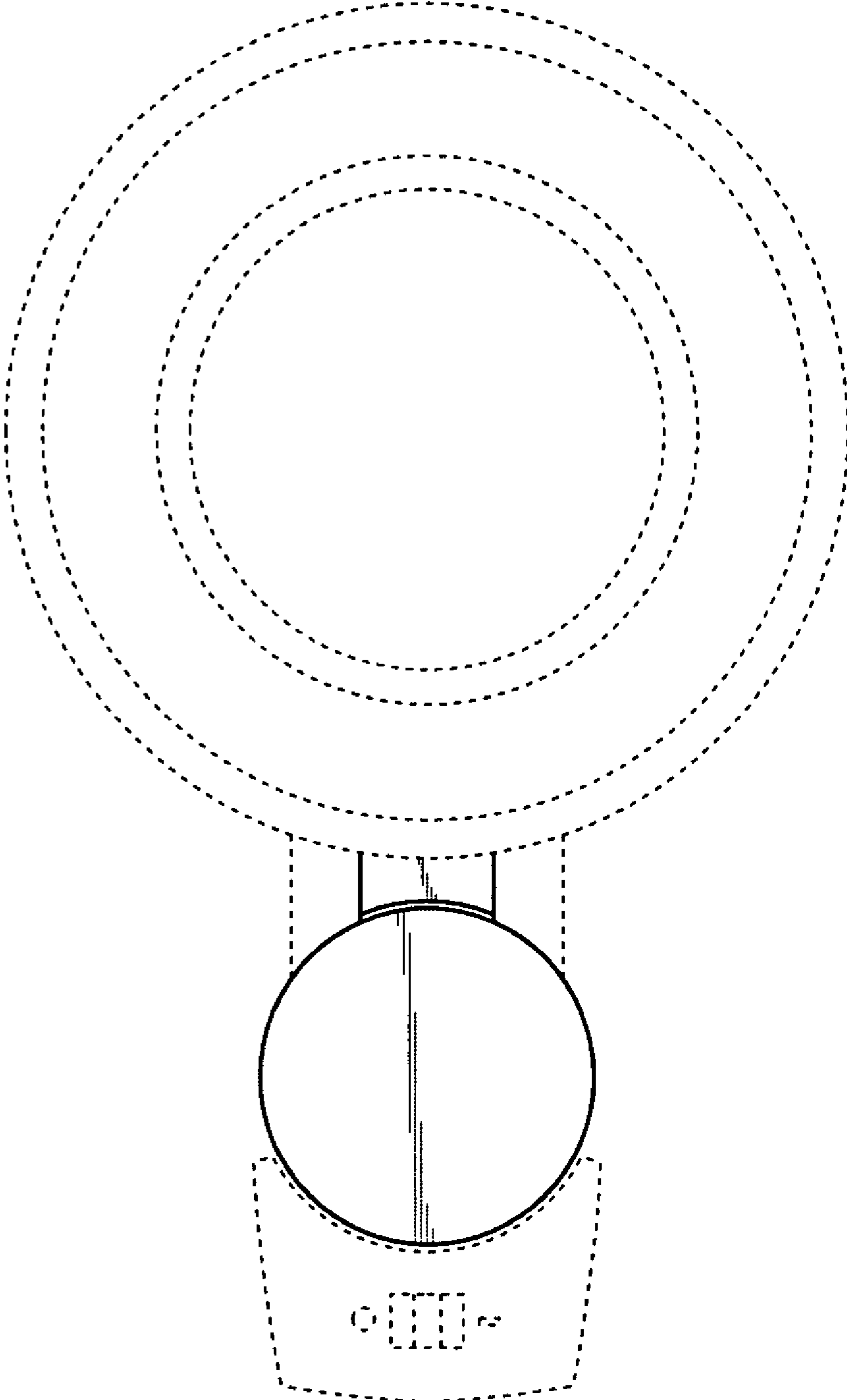


Fig. 8

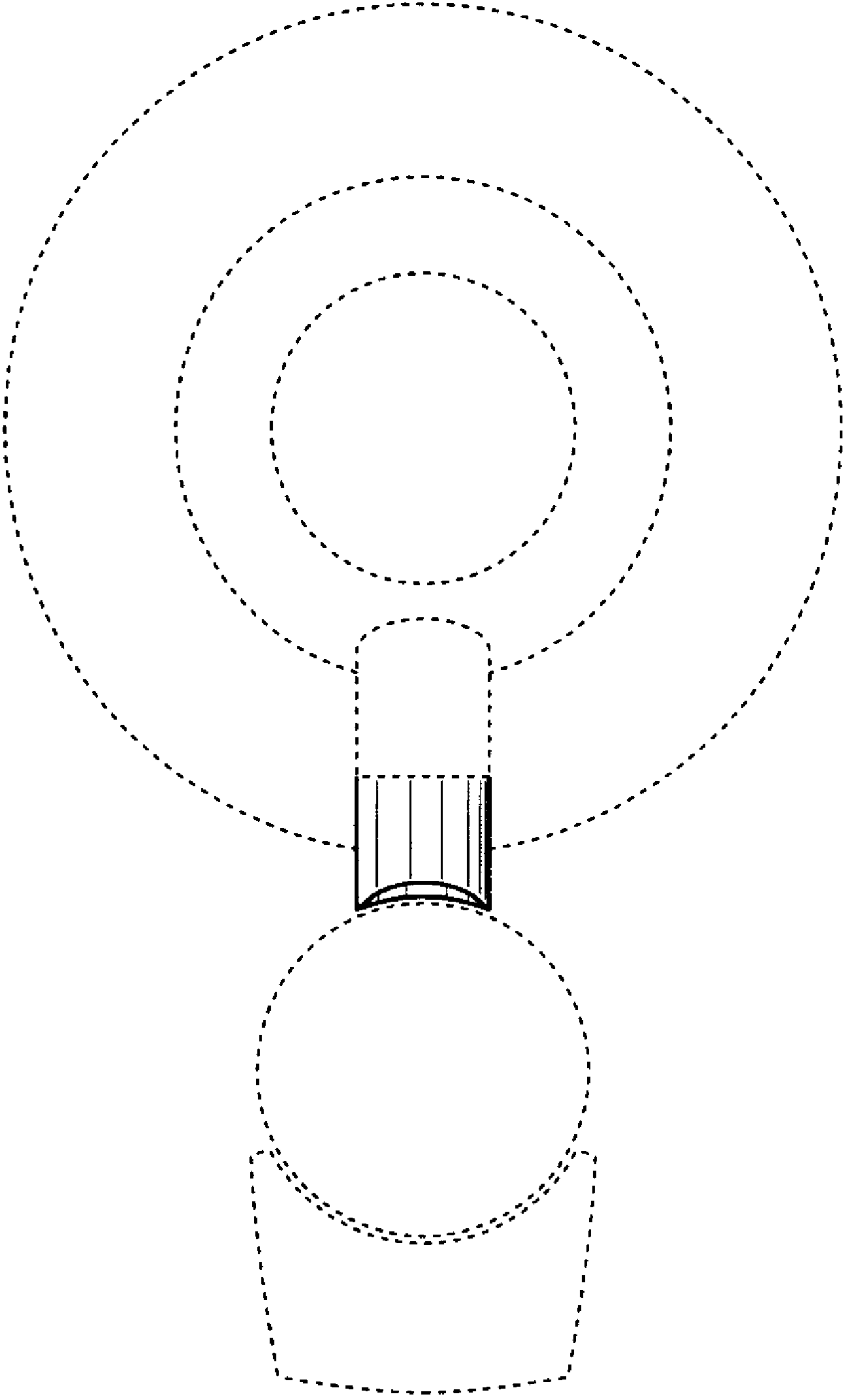


Fig. 9

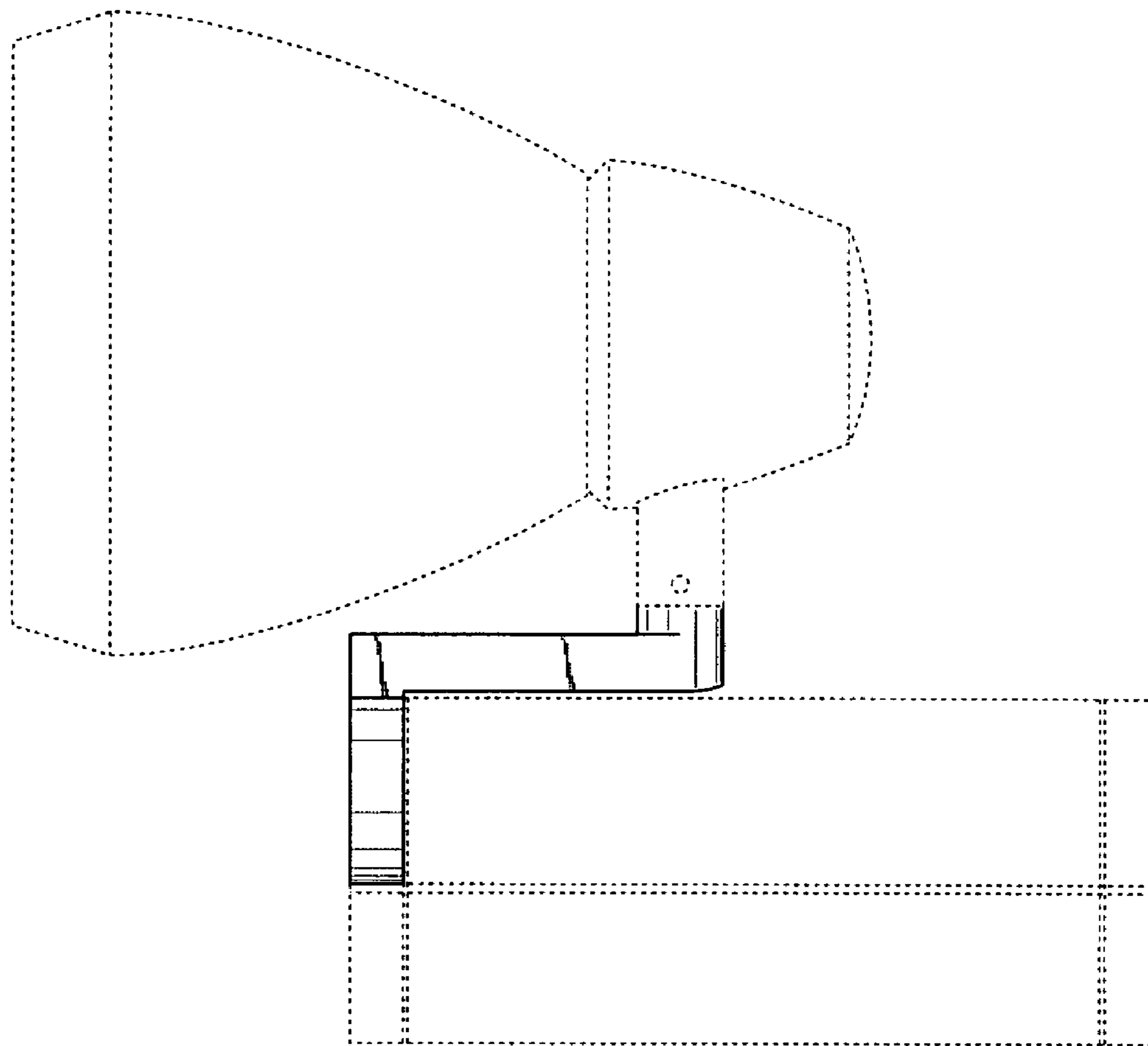


Fig. 10

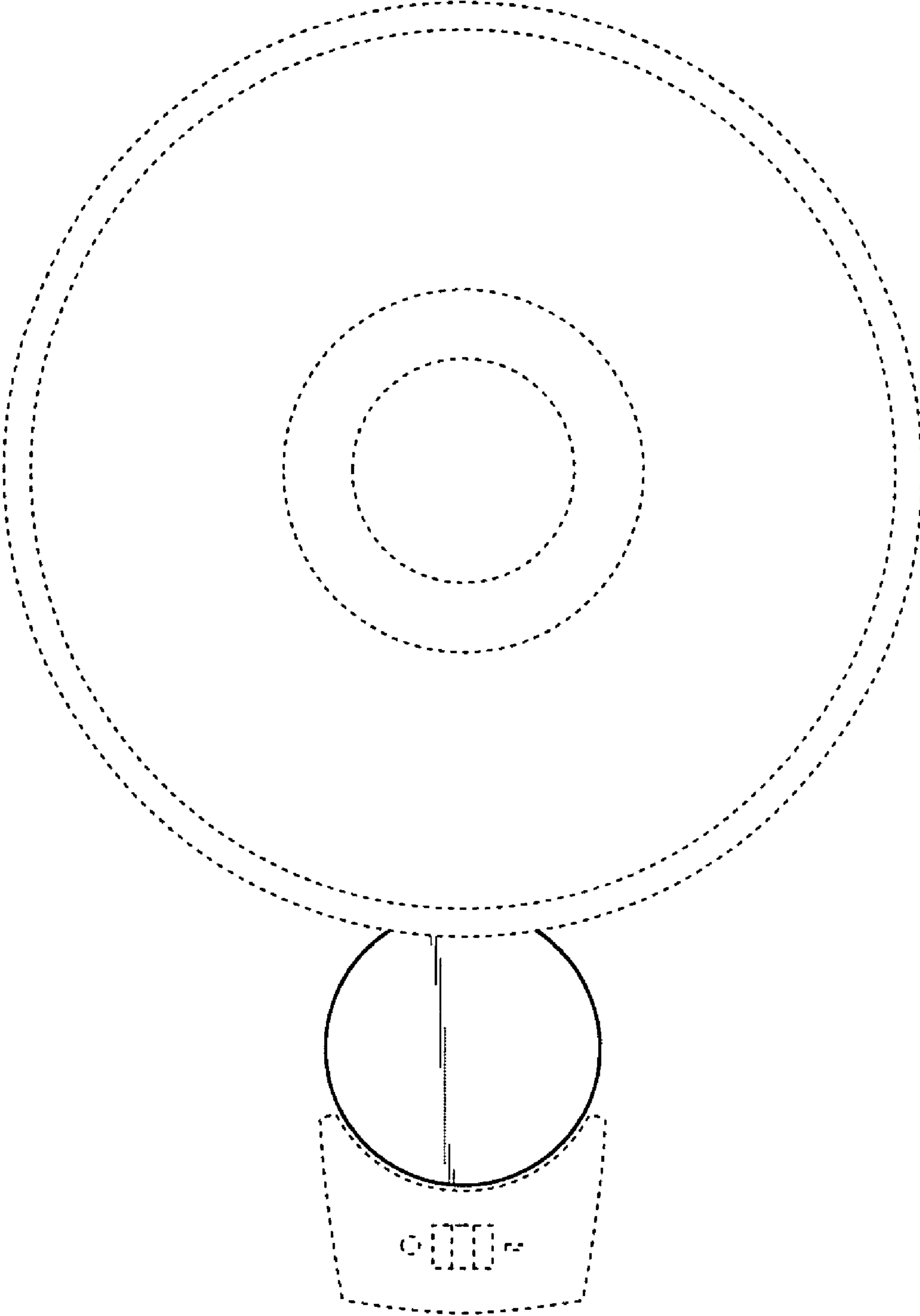


Fig. 11

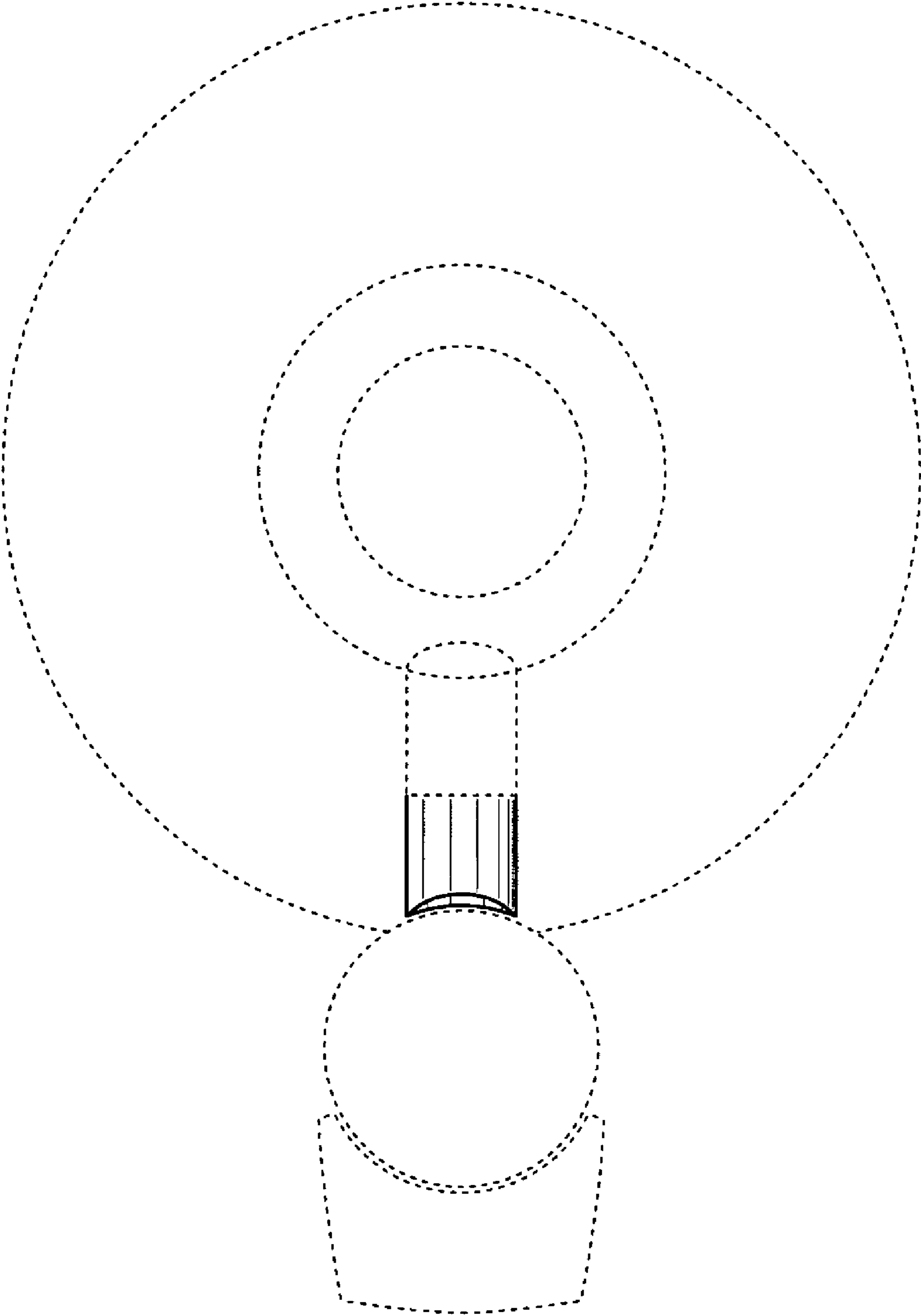


Fig. 12

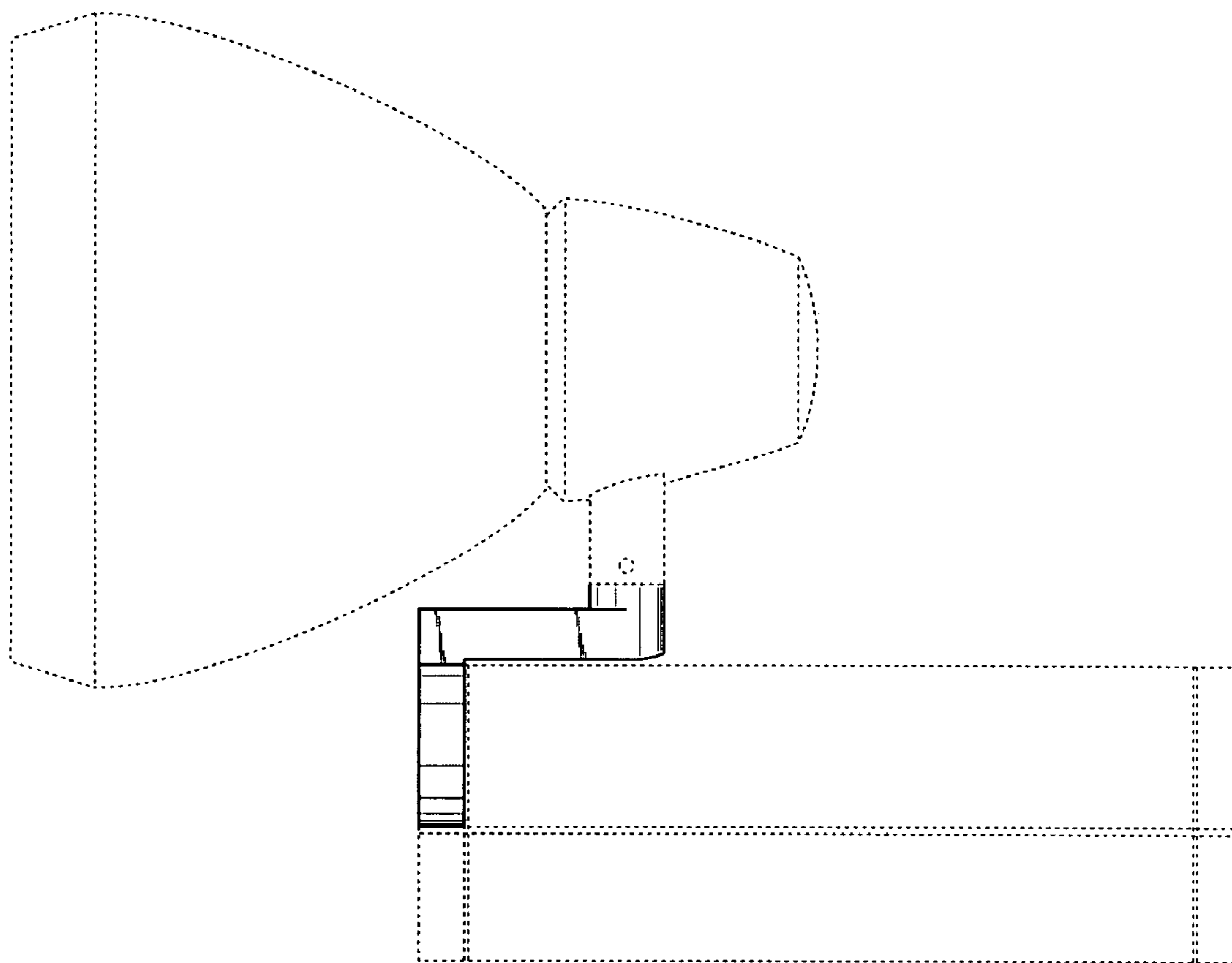


Fig. 13