



US00D580093S

(12) **United States Design Patent**  
**Conroy**

(10) **Patent No.:** **US D580,093 S**

(45) **Date of Patent:** **\*\* Nov. 4, 2008**

(54) **LAMP HEAD**

(75) Inventor: **David Conroy**, Brooklyn, NY (US)

(73) Assignee: **Lowel-Light Manufacturing, Inc.**,  
Brooklyn, NY (US)

(\*\*) Term: **14 Years**

(21) Appl. No.: **29/306,496**

(22) Filed: **Apr. 10, 2008**

D313,867 S *	1/1991	Fremont et al.	.....	D26/63
5,258,899 A *	11/1993	Chen	.....	362/394
5,450,303 A *	9/1995	Markiewicz et al.	.....	362/419
D384,430 S *	9/1997	Lecluze	.....	D26/24
D392,067 S *	3/1998	Morrow et al.	.....	D26/65
D398,902 S *	9/1998	Spadafore	.....	D13/135
D408,091 S *	4/1999	Joyner et al.	.....	D26/60
6,024,461 A *	2/2000	Norman	.....	362/3
D434,165 S *	11/2000	Hiller et al.	.....	D26/65
6,226,068 B1 *	5/2001	Arcykiewicz et al.	.....	439/314
6,568,949 B1 *	5/2003	Walters	.....	439/319
D517,231 S *	3/2006	Pickett	.....	D26/59
7,081,001 B1 *	7/2006	Conroy et al.	.....	439/314
7,306,472 B2 *	12/2007	Matsumoto et al.	.....	439/314

**Related U.S. Application Data**

(62) Division of application No. 29/263,543, filed on Jul. 26, 2006, now Pat. No. Des. 570,036.

(51) **LOC (8) Cl.** ..... **26-99**

(52) **U.S. Cl.** ..... **D26/138**

(58) **Field of Classification Search** ..... D26/63,  
D26/24, 65, 25, 113, 138, 26, 42, 60, 61,  
D26/67, 69, 70, 75, 76, 78, 80, 118, 119,  
D26/120, 124, 128, 129, 140, 143, 144, 150;  
439/314, 318; D13/120; 362/614, 171, 172,  
362/184, 185, 186, 651, 649, 260, 285, 396,  
362/420, 441

See application file for complete search history.

(56) **References Cited**

**U.S. PATENT DOCUMENTS**

D160,441 S *	10/1950	Stone	.....	D13/152
2,599,419 A *	6/1952	Stark	.....	362/185
3,701,965 A *	10/1972	Du Rocher et al.	.....	439/86
D254,154 S *	2/1980	Young et al.	.....	D26/67
D257,356 S *	10/1980	Young et al.	.....	D16/239
D290,110 S *	6/1987	Blaisdell et al.	.....	D13/135

\* cited by examiner

*Primary Examiner*—Freda S. Nunn

*Assistant Examiner*—Kevin K Rudzinski

(74) *Attorney, Agent, or Firm*—Notaro & Michalos P.C.

(57) **CLAIM**

The ornamental design for a lamp head, as shown and described.

**DESCRIPTION**

FIG. 1 is a perspective view of lamp head showing my new design therefor;

FIG. 2 is a left elevational view thereof;

FIG. 3 is right elevational view thereof;

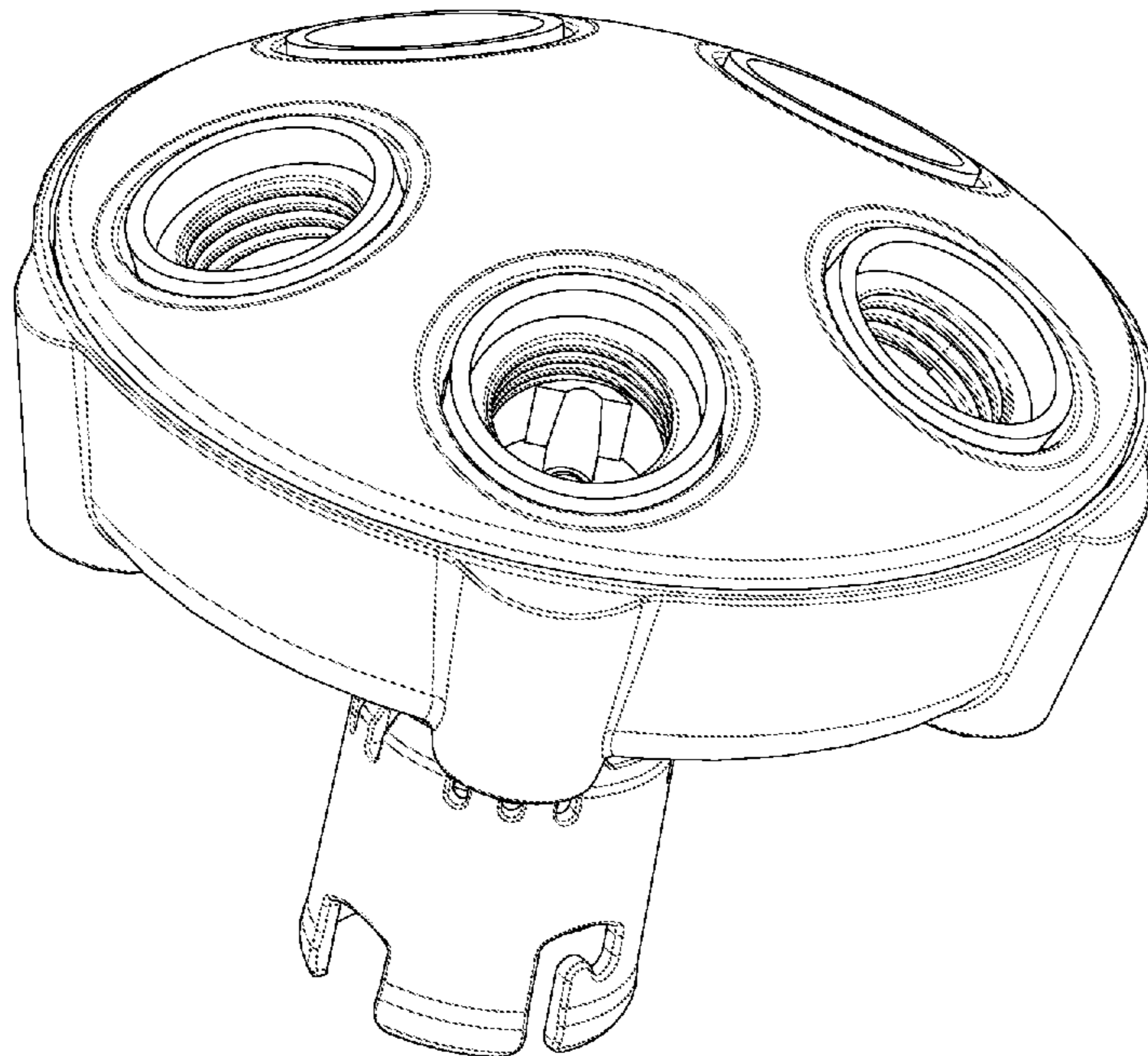
FIG. 4 is front elevational view thereof;

FIG. 5 is rear elevational view thereof;

FIG. 6 is top plan view thereof; and,

FIG. 7 is bottom plan view thereof.

**1 Claim, 7 Drawing Sheets**



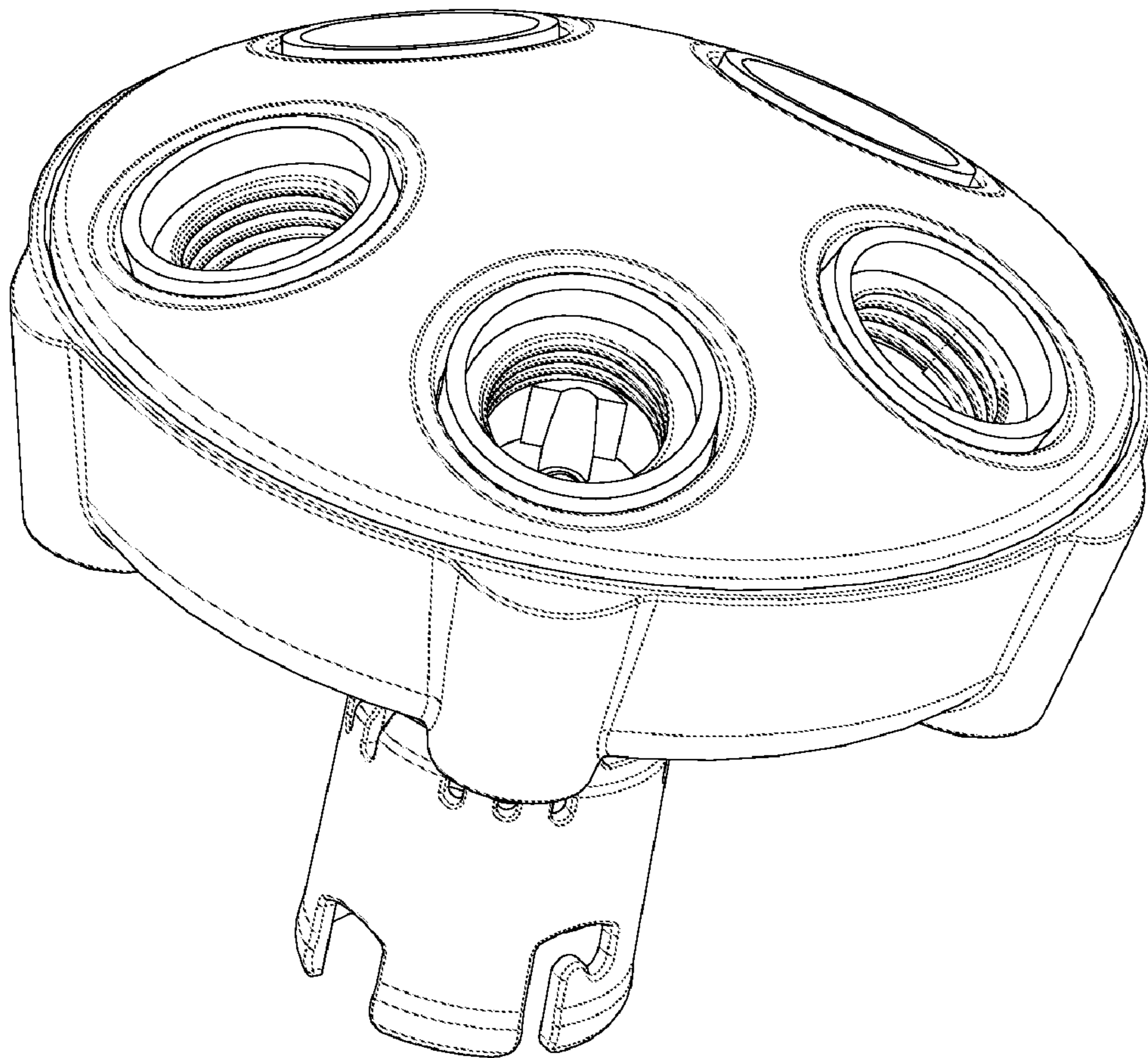


FIG. 1

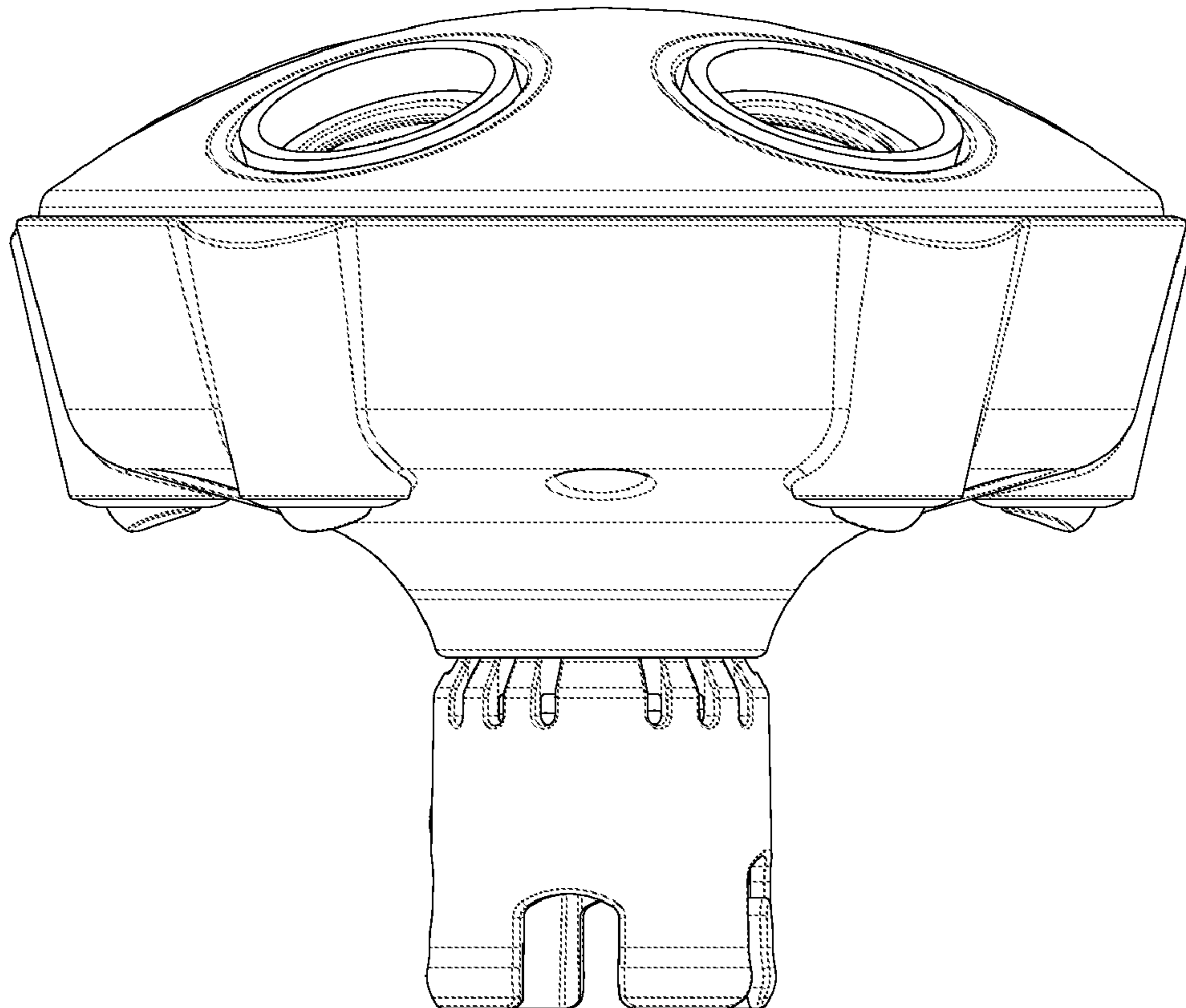


FIG. 2

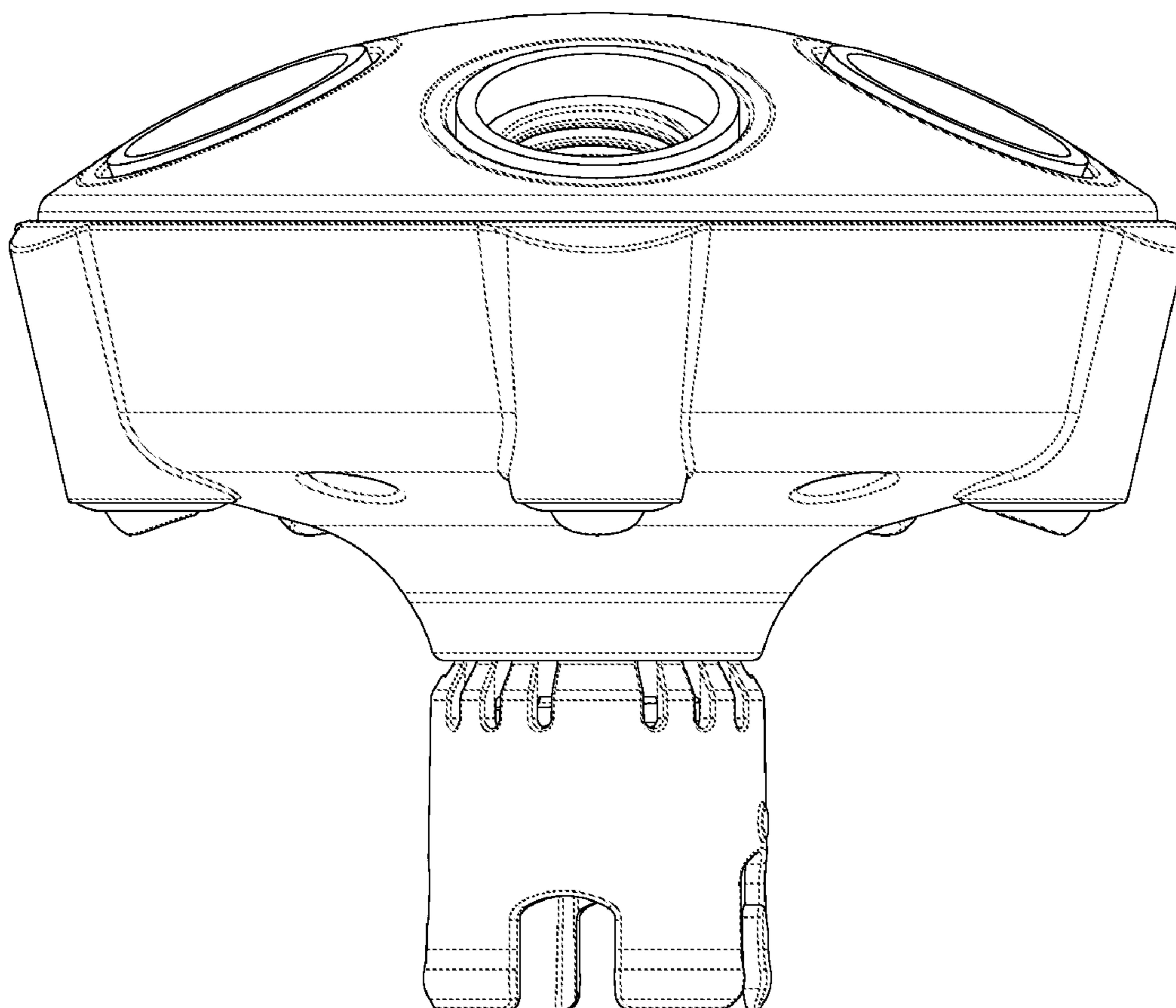


FIG. 3

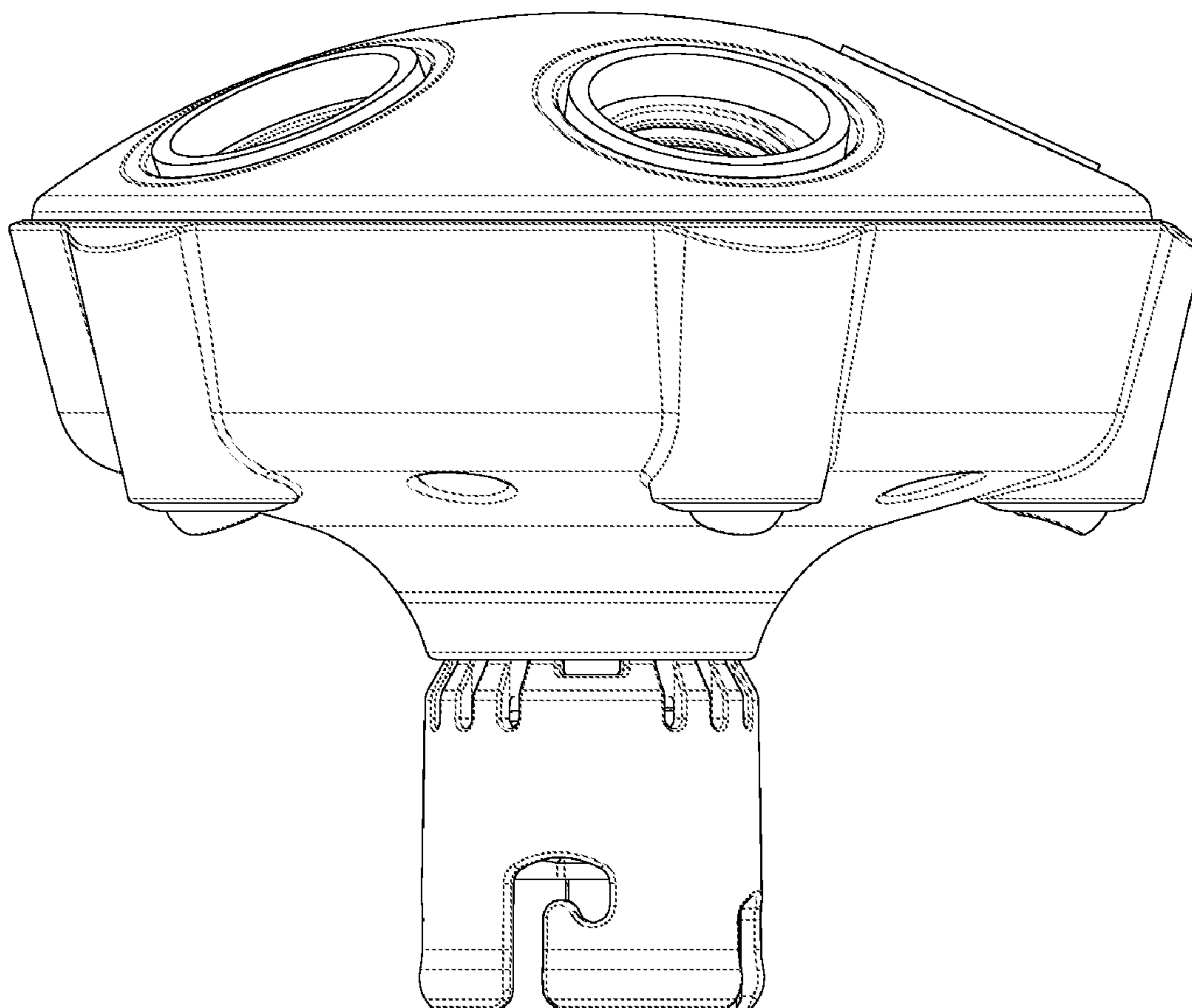


FIG. 4

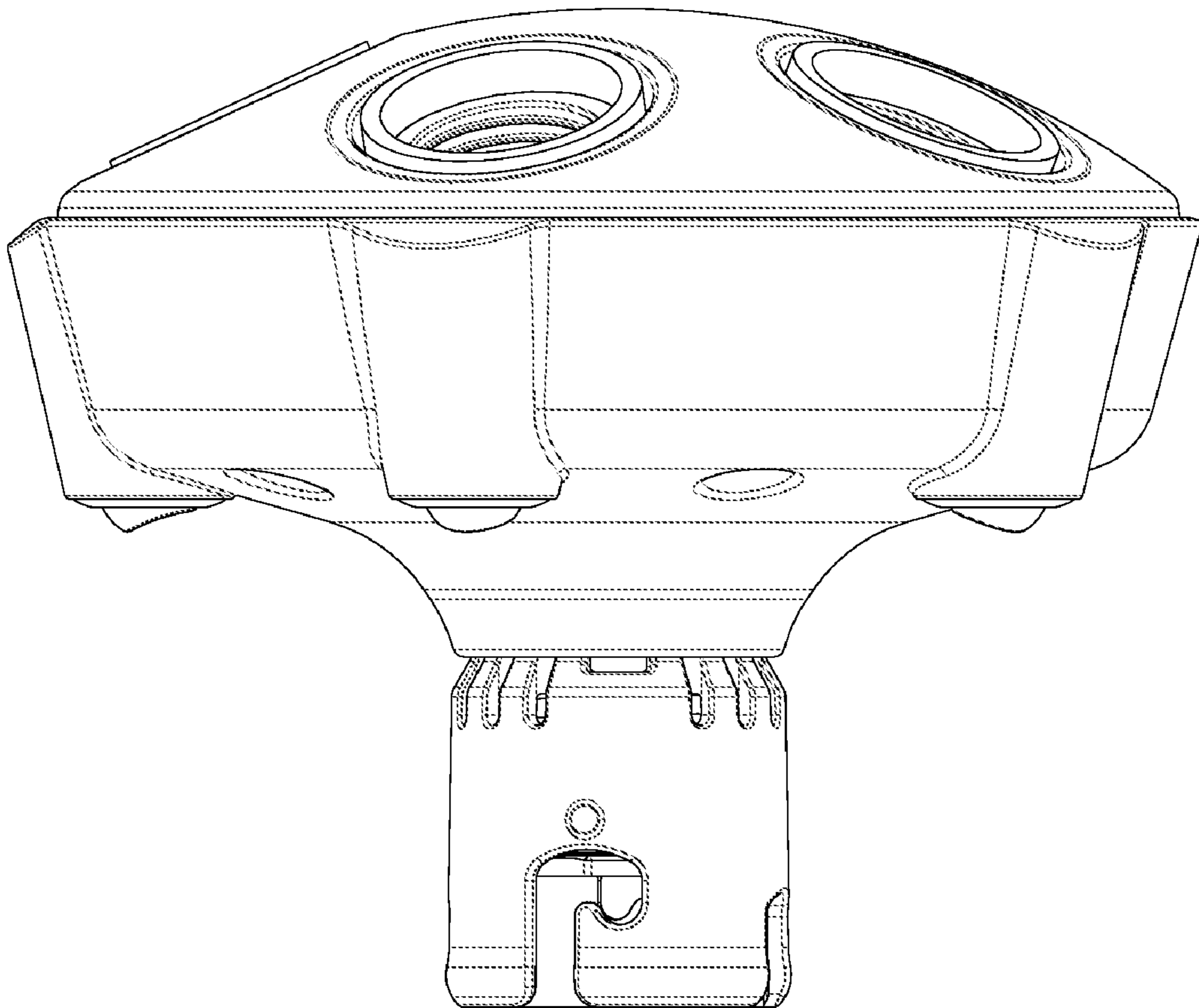


FIG. 5

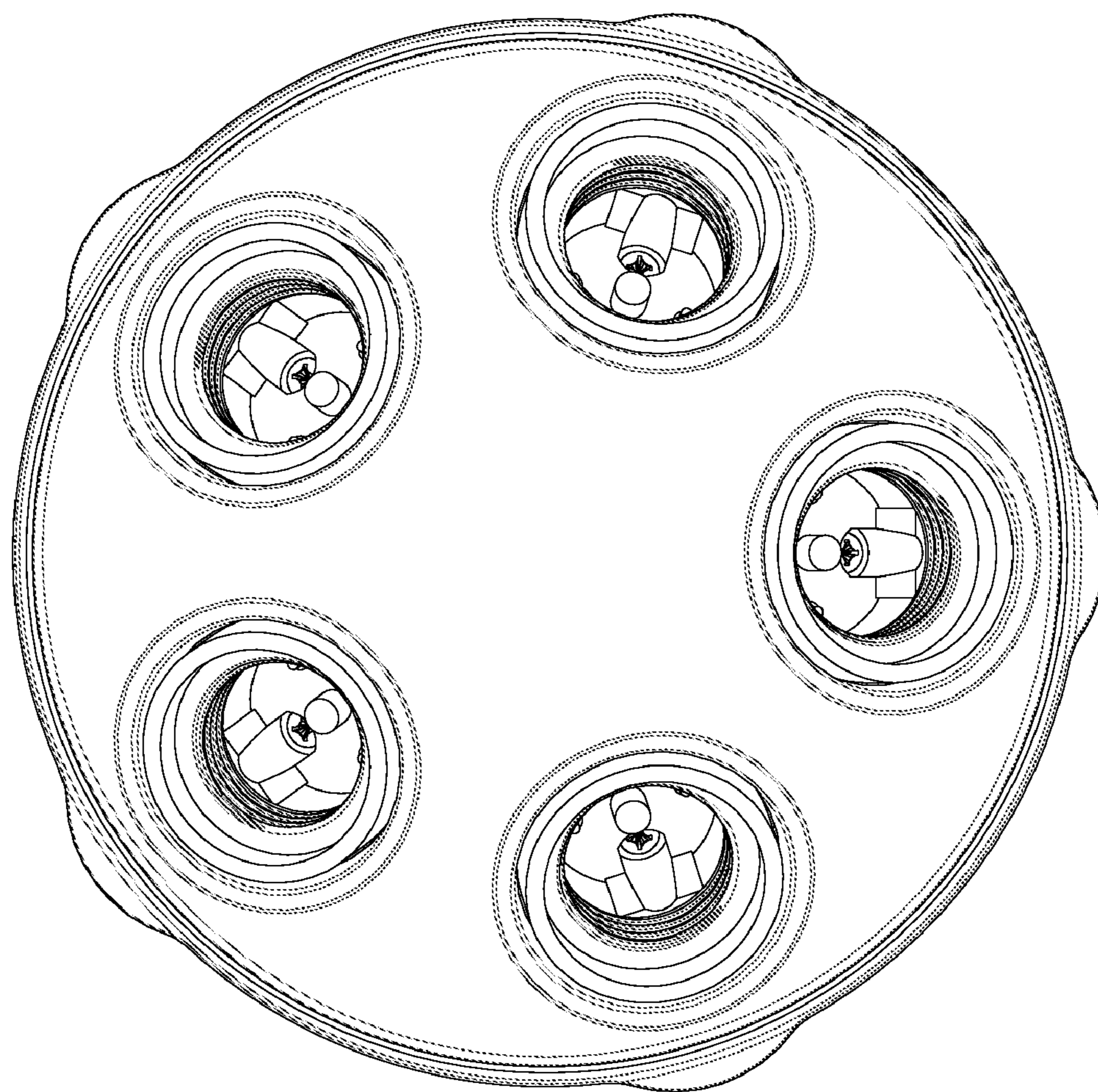


FIG. 6

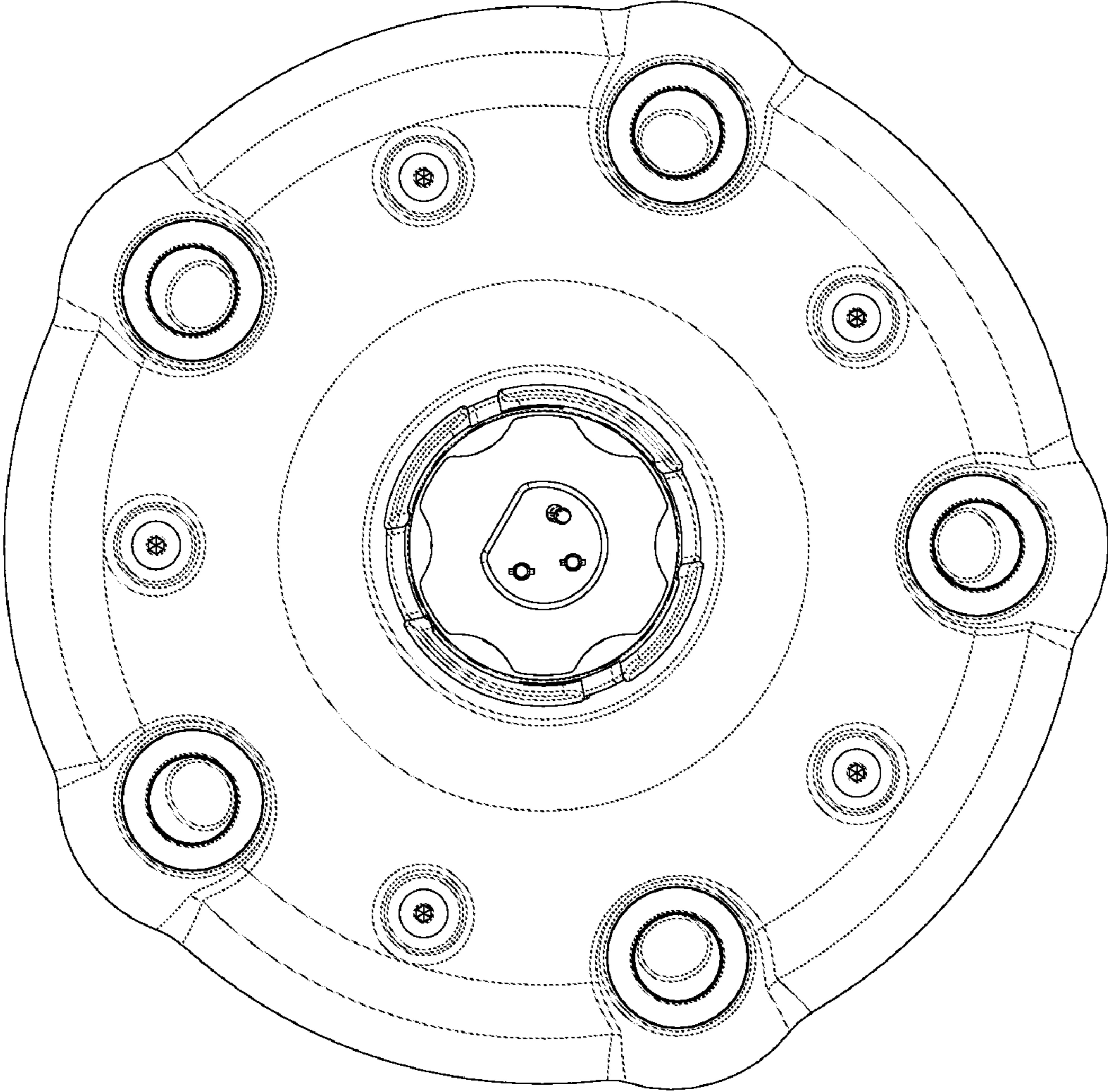


FIG. 7