



US00D580087S

(12) **United States Design Patent**
Couture et al.

(10) **Patent No.:** **US D580,087 S**

(45) **Date of Patent:** **** Nov. 4, 2008**

(54) **LUMINAIRE**

(75) Inventors: **Peter Couture**, Hampstead, NH (US);
Steven Shainwald, Hoboken, NJ (US);
Thomas Connolly, Woodbridge, CT
(US)

(73) Assignee: **International Light Technologies, Inc.**,
Peabody, MA (US)

(**) Term: **14 Years**

(21) Appl. No.: **29/299,903**

(22) Filed: **Jan. 7, 2008**

(51) **LOC (8) Cl.** **26-03**

(52) **U.S. Cl.** **D26/76**

(58) **Field of Classification Search** D26/2,
D26/24, 35, 61, 7, 72, 74-79, 81-92, 118,
D26/122; 362/147, 217-225, 132, 260-263,
362/267, 283, 337, 347, 364; 43/113; D23/372,
D23/328, 385; D14/209; 52/98

See application file for complete search history.

(56) **References Cited**

U.S. PATENT DOCUMENTS

D140,343 S *	2/1945	Nitardy	D26/76
D145,323 S *	7/1946	Nitardy	D26/78
D149,026 S *	3/1948	Schwartz et al.	D26/76
D150,735 S *	8/1948	Schwartz et al.	D26/78
D155,283 S *	9/1949	Gangbin	D26/76
2,534,182 A *	12/1950	Schwartz et al.	362/221
D166,093 S *	3/1952	McPhail	D26/76
2,597,739 A *	5/1952	Janness et al.	362/219
D175,188 S *	7/1955	Phillips	D26/76
D182,986 S *	6/1958	Akely et al.	D26/76
3,065,333 A *	11/1962	Rodmaker et al.	362/221
4,323,955 A *	4/1982	Mark	362/278
D311,596 S *	10/1990	Herst et al.	D26/85
D329,300 S *	9/1992	Hong	D26/78
D399,329 S *	10/1998	Compton et al.	D26/76
D461,923 S *	8/2002	Chelf	D26/76
D503,821 S *	4/2005	Waldmann	D26/78
D567,425 S *	4/2008	Yates	D26/76

OTHER PUBLICATIONS

Thomas & Betts Existalite product literature, Star-LITE Range, pp. 1 & 2, <http://www.existalite.co.uk/range.asp?range=MODLED&...> ctType=Star%2DLite&imagefolder=star%5Flite&MainCat=, Oct. 24, 2007.

Thomas & Betts Existalite product literature, Aluminum Extrusions, pp. 1 & 2, <http://www.existalite.co.uk/range.asp?range=ALUEXT...> ypc=Guide%2DLITE&imagefolder=guide%5Flite&MainCat=, Oct. 24, 2007.

Thomas & Betts Existalite product literature, LED Modules, pp. 1 and 2, <http://www.existalite.co.uk/range.asp?range=LEDMOD...> ype=Guide%2DLITE&imagefolder=guide%5Flite&MainCat=, Oct. 24, 2007.

aluplanet.com, product description, pp. 1 & 2, descriptions,http://www.aluplanet.com/eng/galleria_popup_o.asp?id_immagine=6998, Oct. 24, 2007.

io Lighting, product description, line symmetric .75, pp. 1 & 2, 2007. aluplanet.com, product descriptions, Illumination design, pp. 1 & 2, http://www.aluplanet.com/eng/galleria_immagini_o.asp?idcat=89, Oct. 24, 2007.

H. E. Williams, Inc., product description, ASM Architectural Surface Mount, Low Profile Lighting, pp. 1 and 2.

* cited by examiner

Primary Examiner—Robert M Spear

Assistant Examiner—Susan E Krakower

(74) *Attorney, Agent, or Firm*—Bromberg & Sunstein LLP

(57) **CLAIM**

The ornamental design for a luminaire, as shown and described.

DESCRIPTION

FIG. 1 is a perspective view;

FIG. 2 is a top plan view;

FIG. 3 is a bottom plan view;

FIG. 4 is a left elevation view;

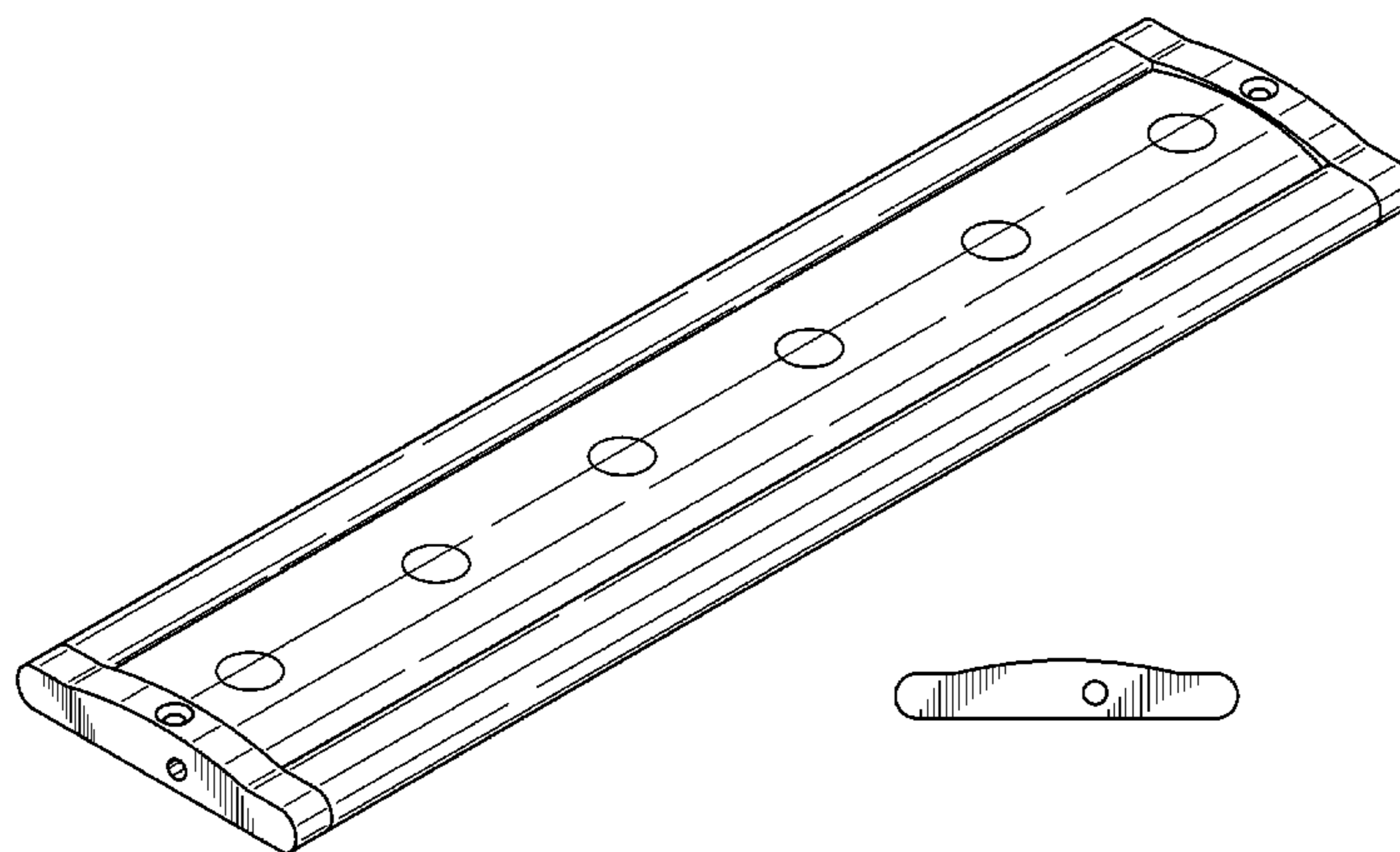
FIG. 5 is a front elevation view;

FIG. 6 is a right elevation view; and,

FIG. 7 is a rear elevation view.

The broken lines illustrate environmental components of the luminaire which form no part of the claimed design.

1 Claim, 3 Drawing Sheets



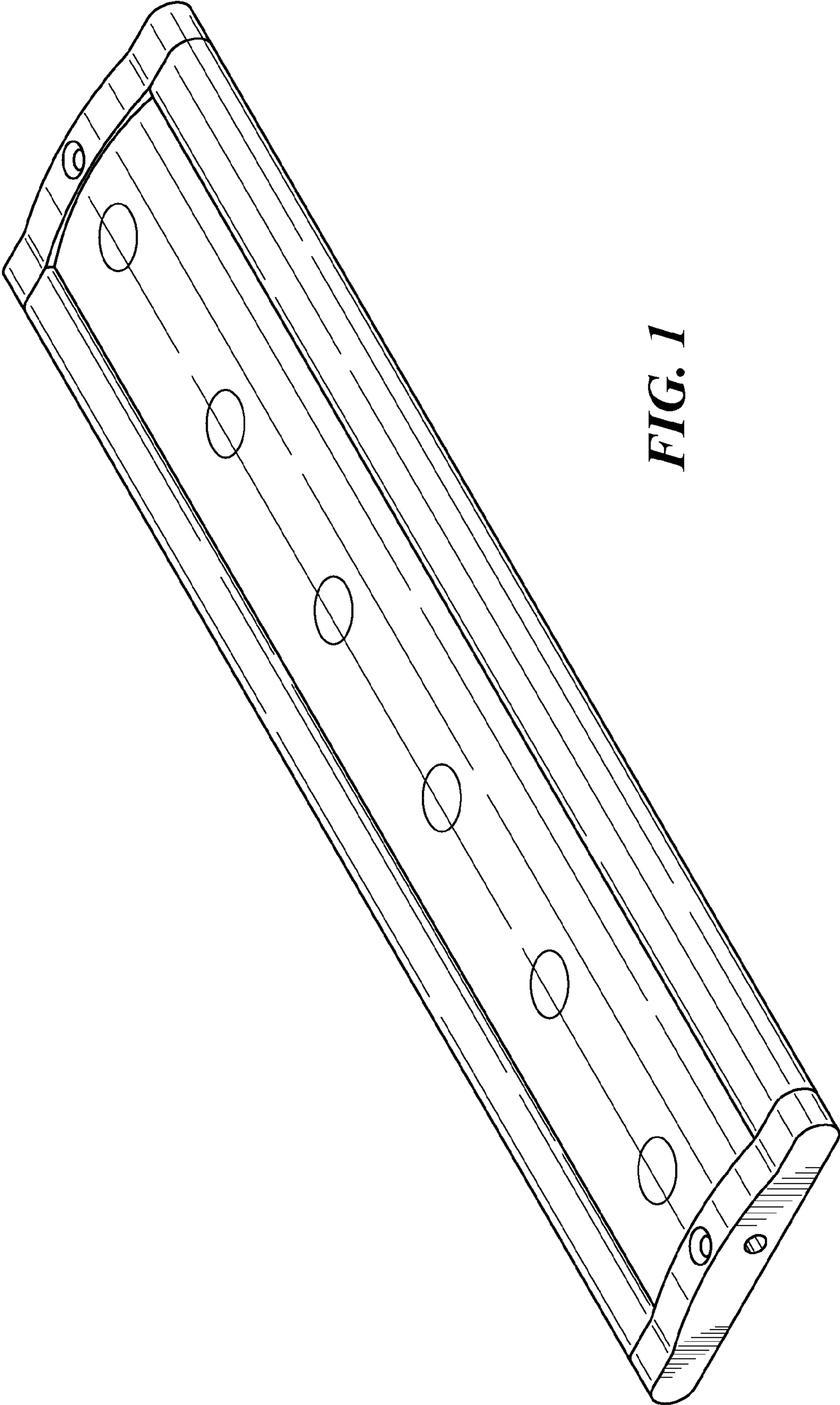


FIG. 1

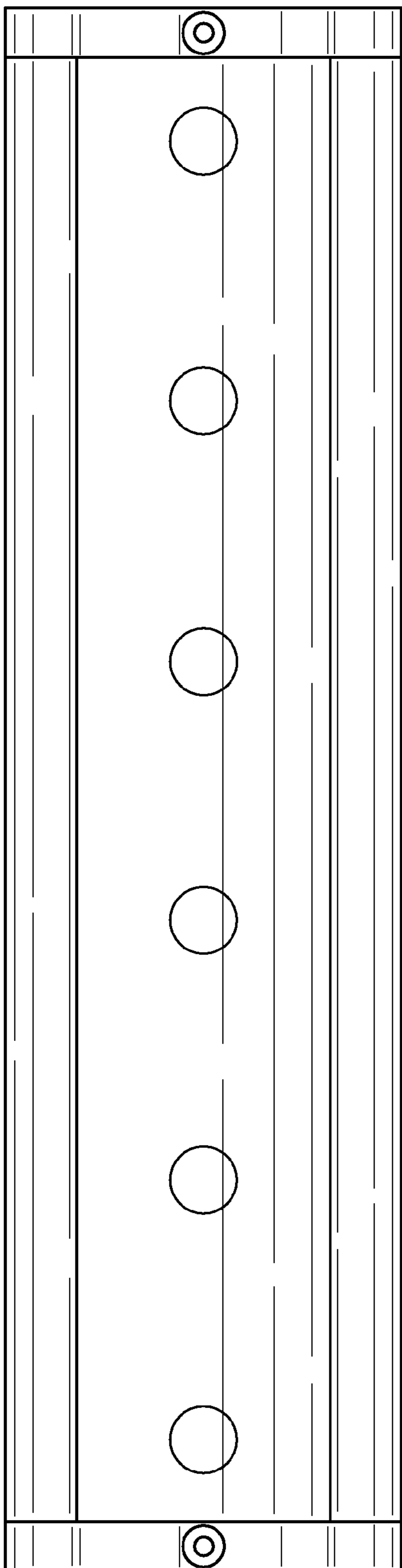


FIG. 2

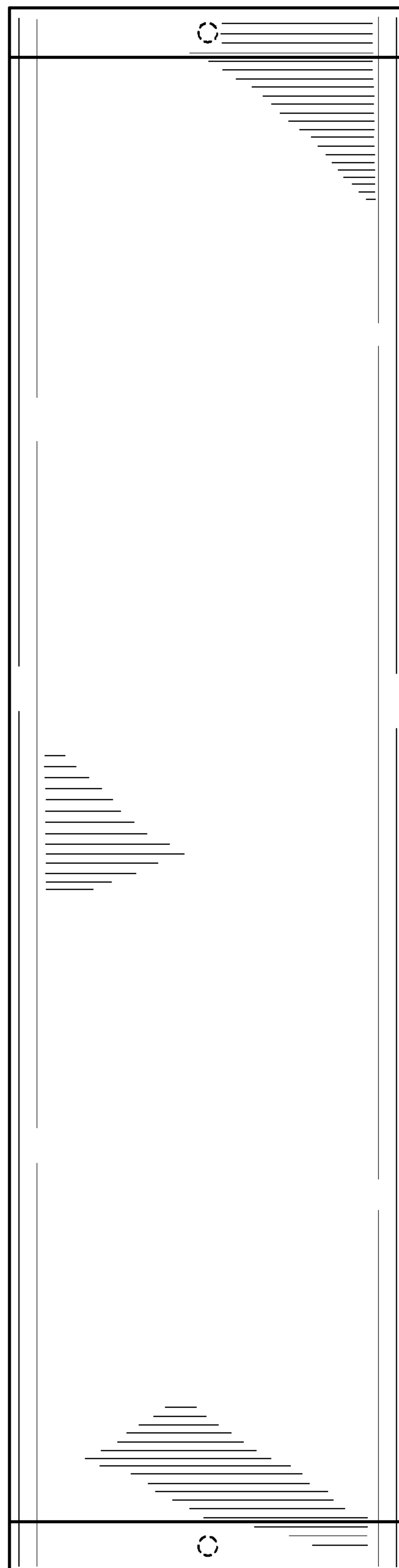


FIG. 3

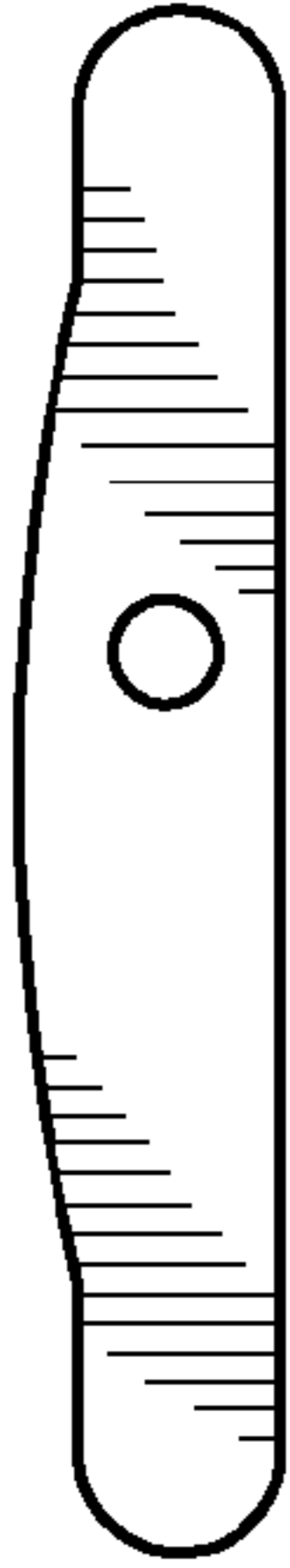


FIG. 4

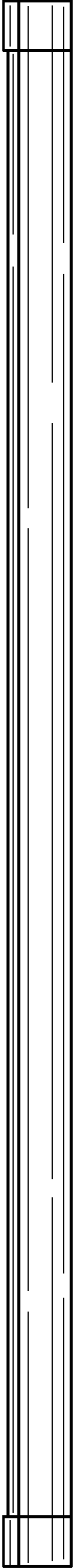


FIG. 5

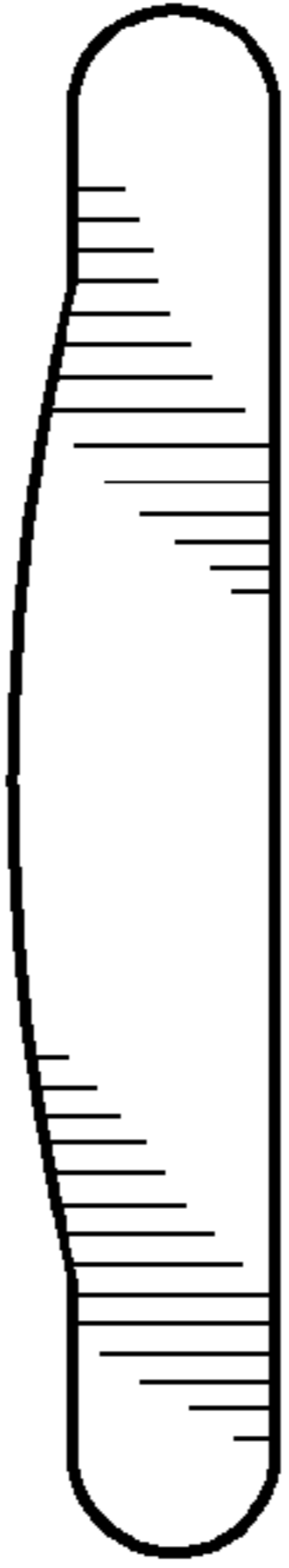


FIG. 6

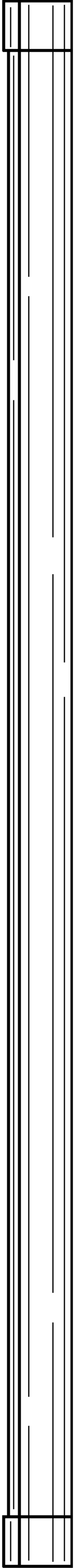


FIG. 7